



## INSTALLATION INSTRUCTIONS

Accessory	Application	Publications No.
SIDE WELCOME LIGHTS P/N 08V27-TG7-100	2019 PILOT	VERSION 1
		Issue Date JUN 2018

### PARTS LIST

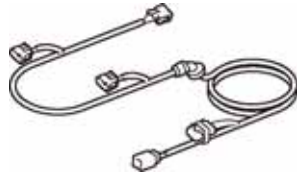
3 Lights A  
(Identification mark: LH)



3 Lights B  
(Identification mark: RH)



2 Side welcome light harnesses



3 Trim A  
(Identification mark: A)



3 Trim B  
(Identification mark: B)



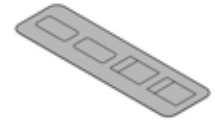
6 Retainers



28 Wire ties



Fuse label



6 Self-tapping screws



4 Bolts A  
(black)



2 Bolts B  
(silver)



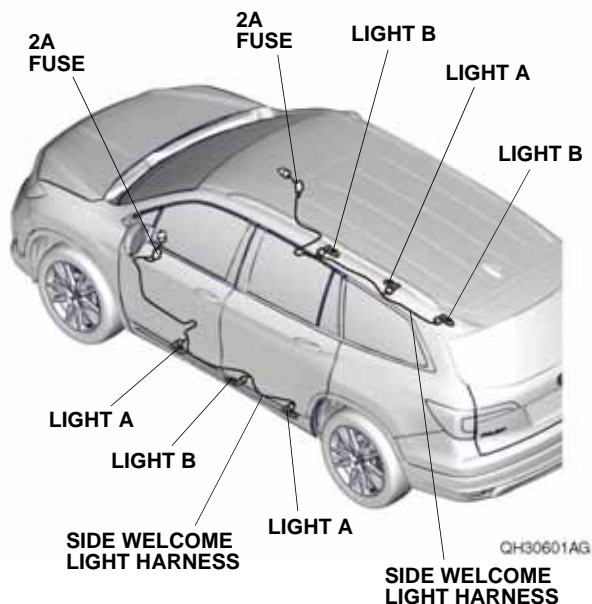
## TOOLS AND SUPPLIES REQUIRED

Phillips screwdriver  
Ruler  
10 mm Open end wrench  
10 mm Socket  
Ratchet  
Tape measure  
Utility knife  
Isopropyl alcohol  
Shop towel  
Touch-up paint  
Diagonal cutters  
File  
Pushpin  
Drill  
3 mm and 6 mm Drill bits  
Eye protection (face shield, safety goggles, etc.)

*The following tools are available through the Honda Tool and Equipment Program. On the iN, click on Service > Service Bay > Tool and Equipment Program, then enter the number under "Search." Or, call 888-424-6857.*

- Trim Tool Set (T/N SOJATP2014)
- Plastic Trim Tool (T/N SILTRIMTL10)

### Illustration of the Side Welcome Lights on the Vehicle

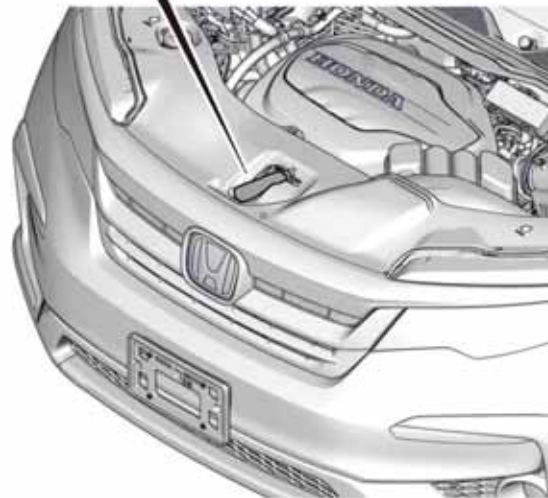
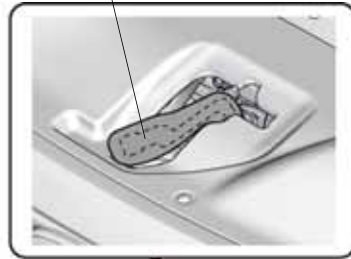


## INSTALLATION

**Customer Information:** The information in this installation instruction is intended for use only by skilled technicians who have the proper tools, equipment, and training to correctly and safely add equipment to your vehicle. These procedures should not be attempted by "do-it-yourselfers."

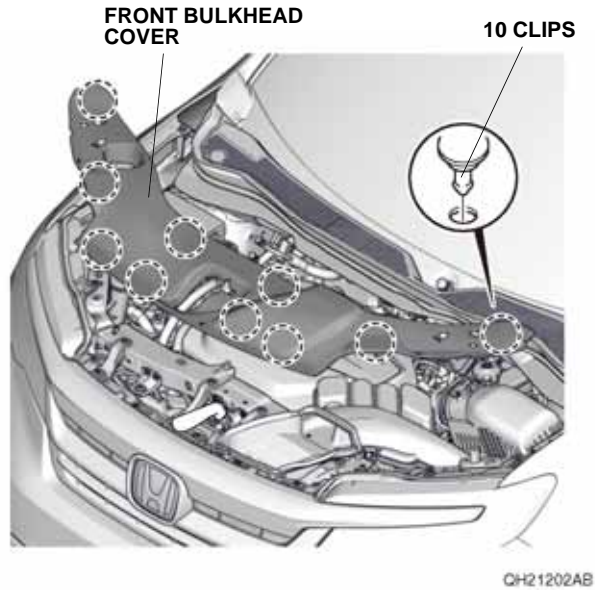
1. Open the tailgate.
2. Disconnect the negative cable from the battery:
  - Wrap a shop towel around the hood latch.

### HOOD LATCH (Wrap with a shop towel.)

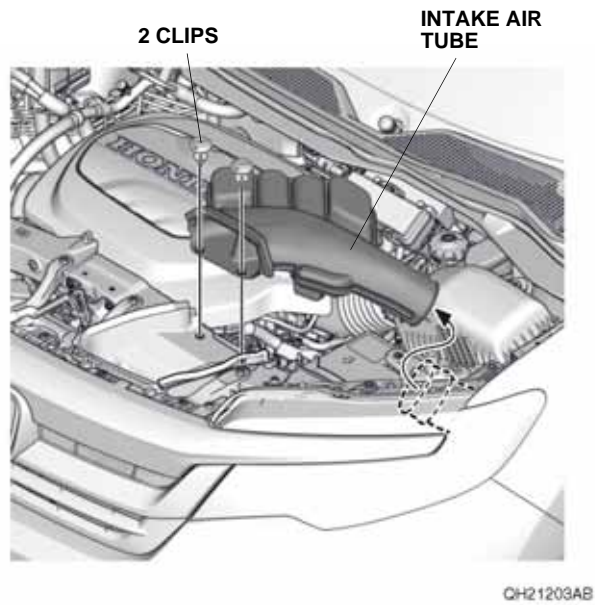


QH21201AB

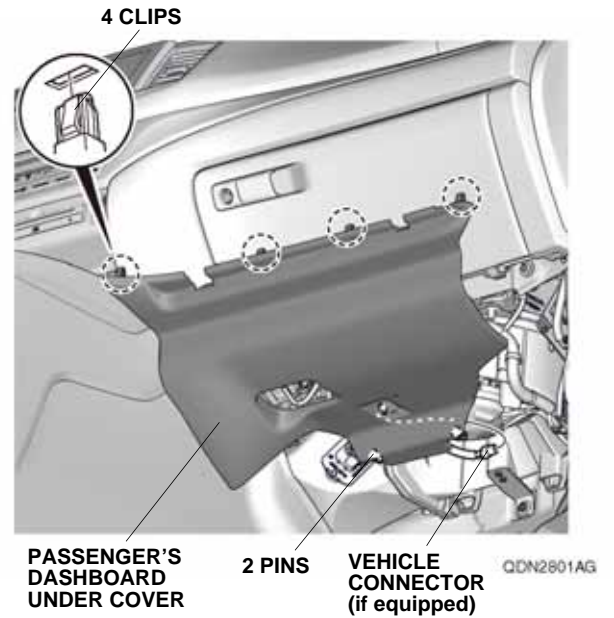
- Remove the front bulkhead cover.



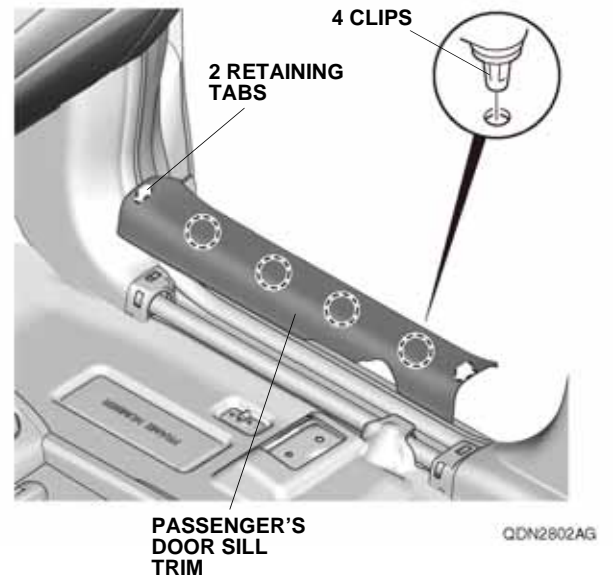
- Remove the intake air tube.
- Disconnect the negative cable from the battery.



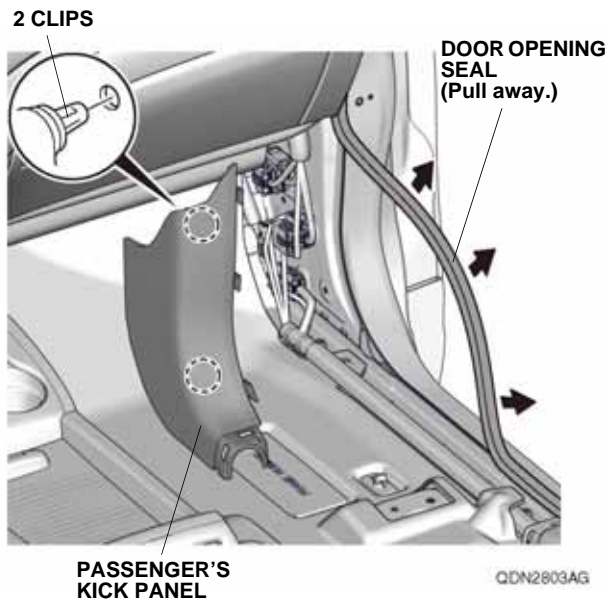
- Remove the passenger's dashboard under cover, and unplug the vehicle connector (if equipped).



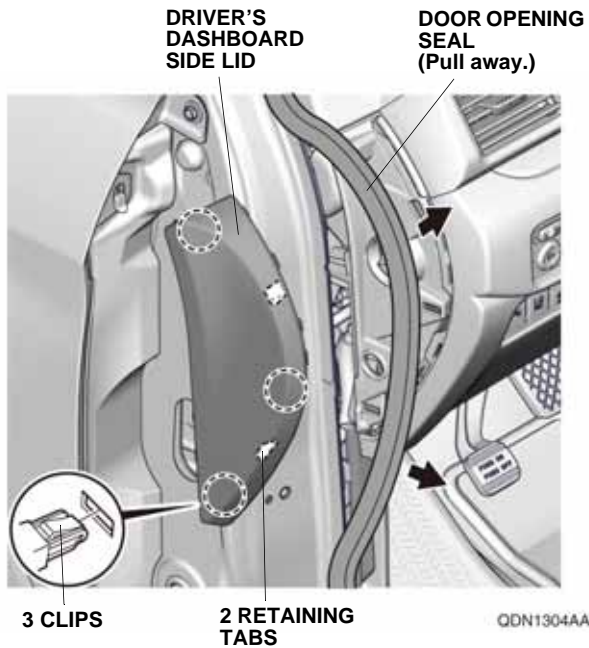
- Remove the passenger's door sill trim.



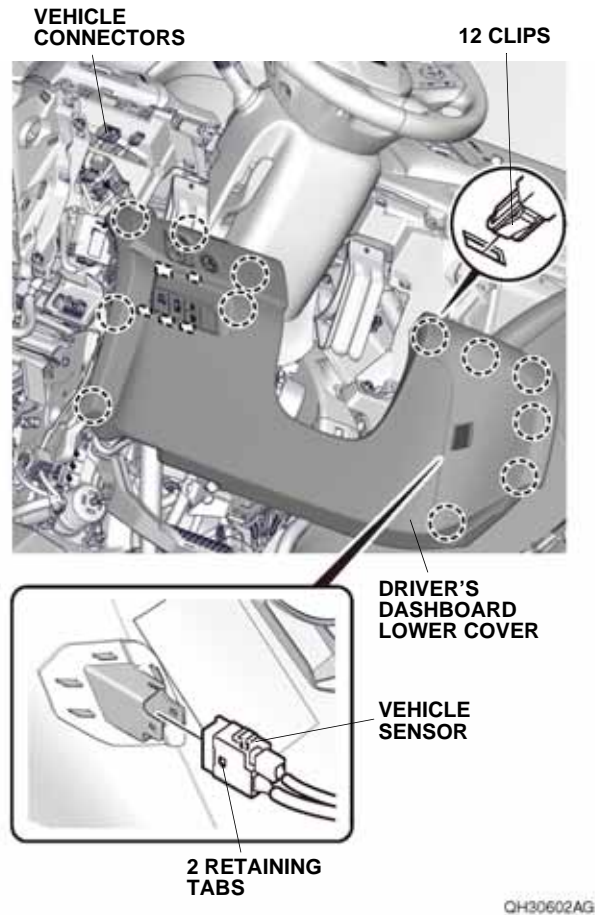
5. Pull away the door opening seal, and remove the passenger's kick panel.



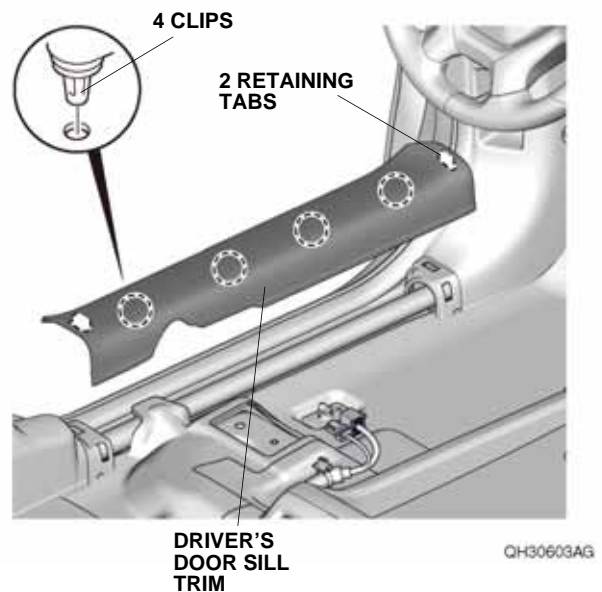
6. Pull away the door opening seal, and remove the driver's dashboard side lid.



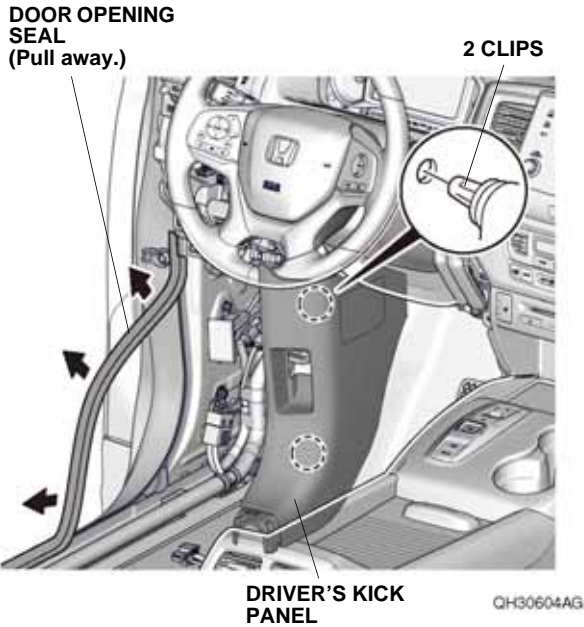
7. Remove the driver's dashboard lower cover, and unplug the vehicle connectors, and release the vehicle sensor.



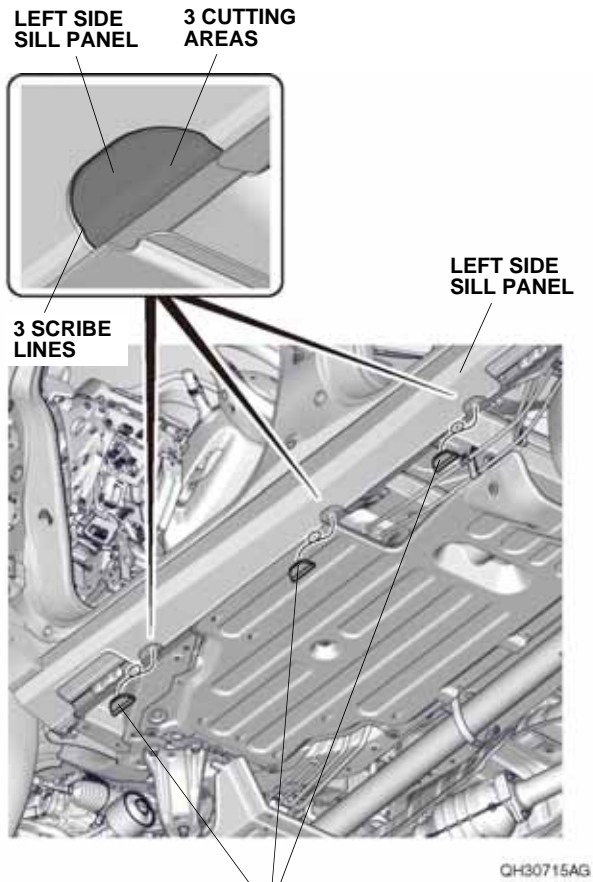
8. Remove the driver's door sill trim.



9. Pull away the door opening seal, and remove the driver's kick panel.

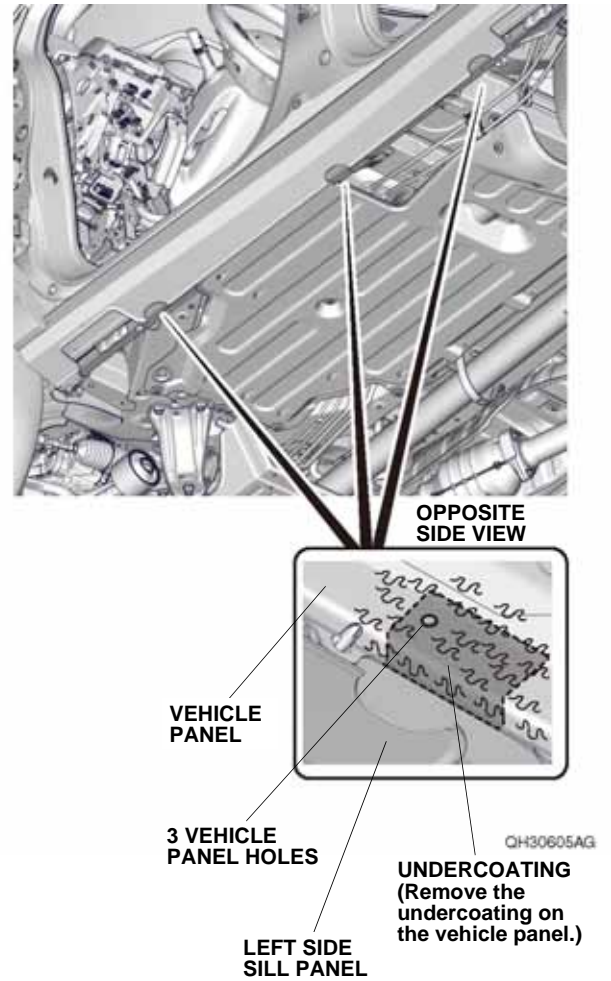


10. Using a utility knife, cut out the left side sill panel as shown. Remove any burrs.

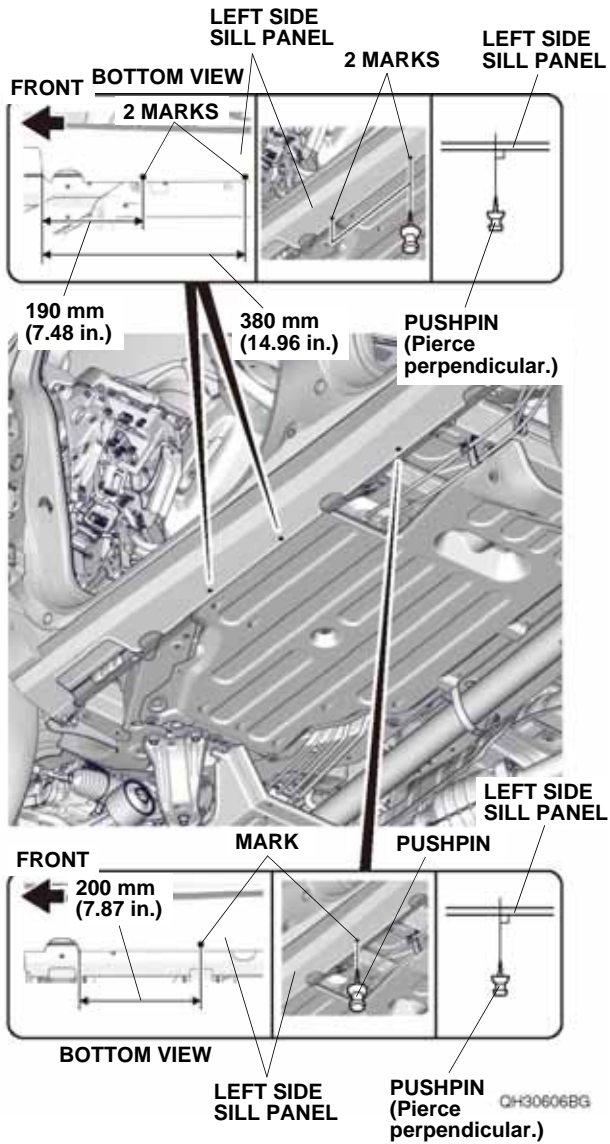


Cut out.

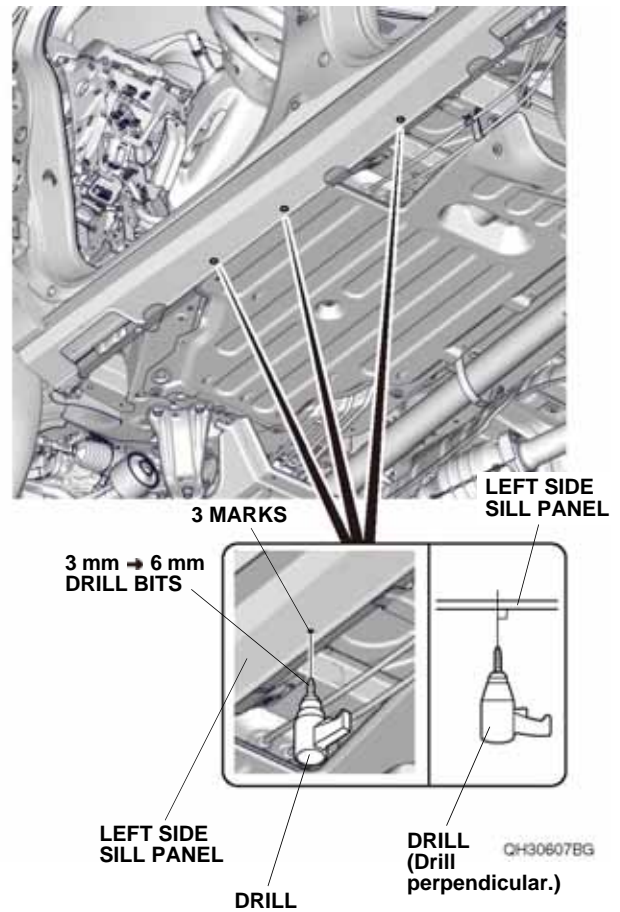
11. Remove the undercoating as shown. Apply touch-up paint where you removed the undercoating and allow it to dry thoroughly.



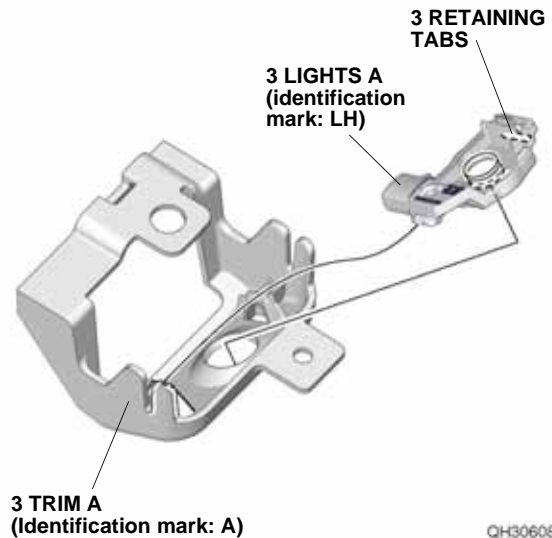
12. Using a pushpin, pierce the left side sill panel as shown.  
 NOTE: Make sure to pierce perpendicular to the left side sill panel.



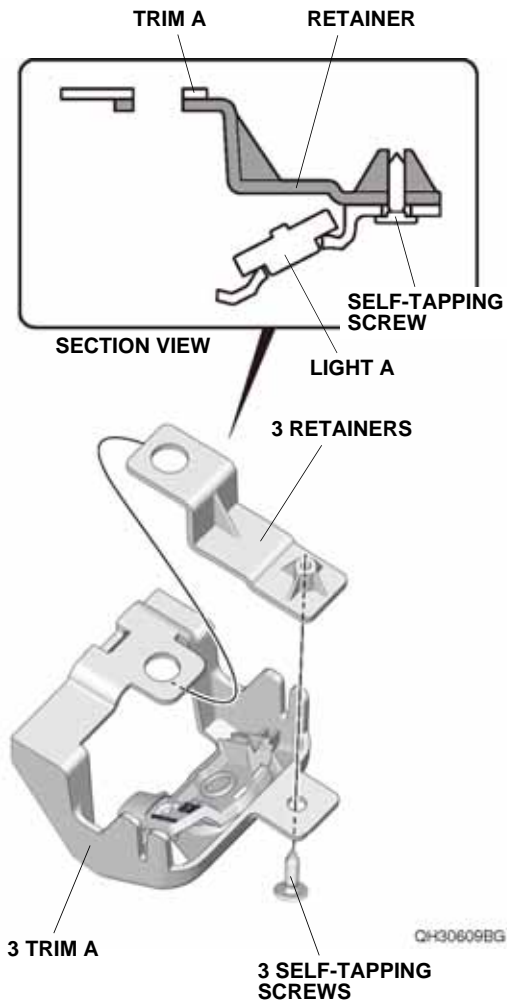
13. While wearing eye protection, drill the three pierced marks on the left side sill panel to 6 mm. First drill with a 3 mm drill bit, and finish with a 6 mm drill bit.  
 NOTE: Make sure to drill perpendicular to the left side sill panel.



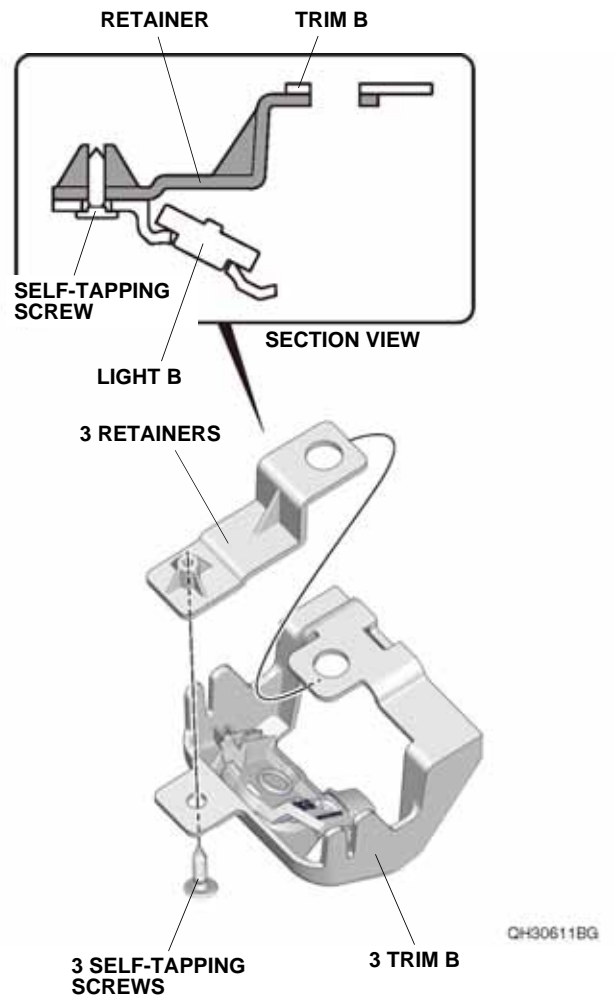
14. Install the three lights A to each trim A as shown.  
 NOTE: Make sure to check the identification marks before installation.



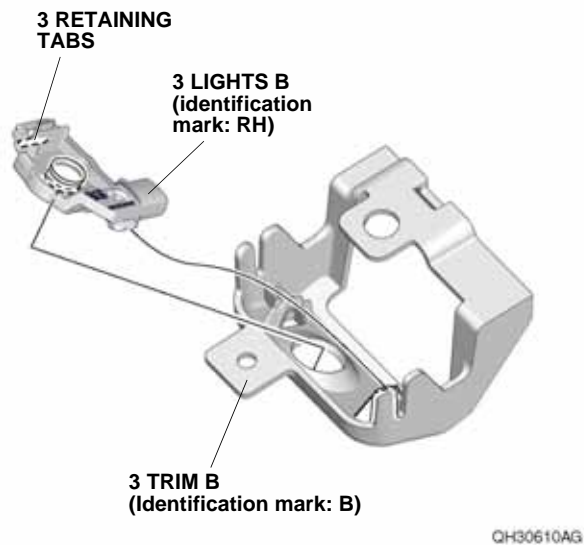
15. Install the three retainers to each trim A with three self-tapping screws as shown.



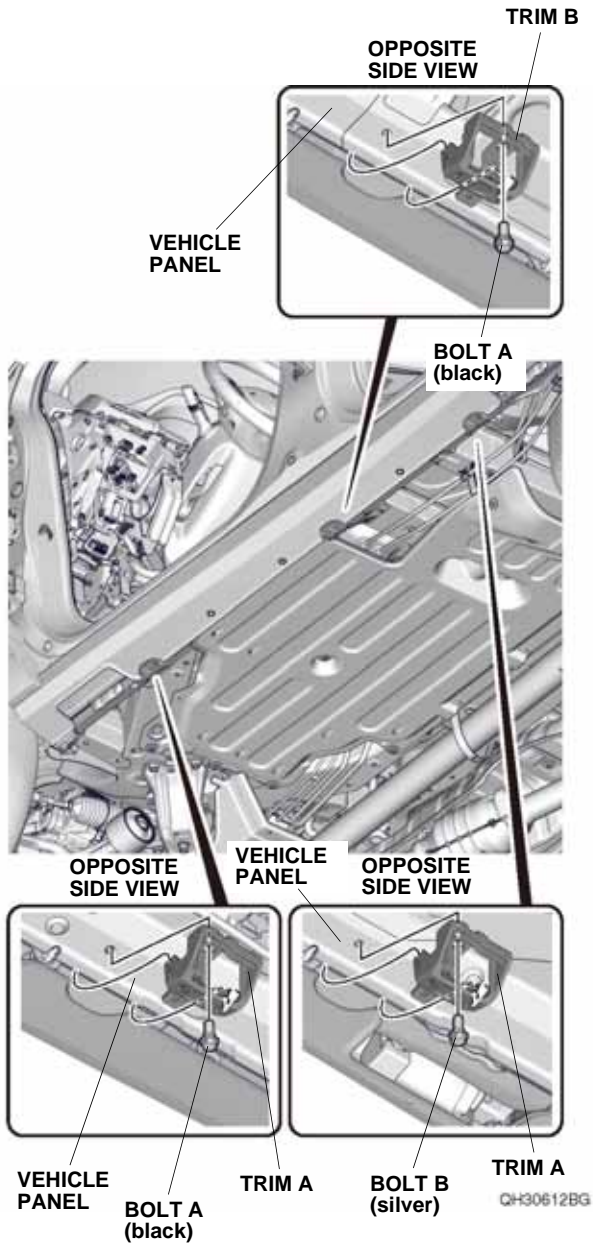
17. Install the three retainers to each trim B with three self-tapping screws as shown.



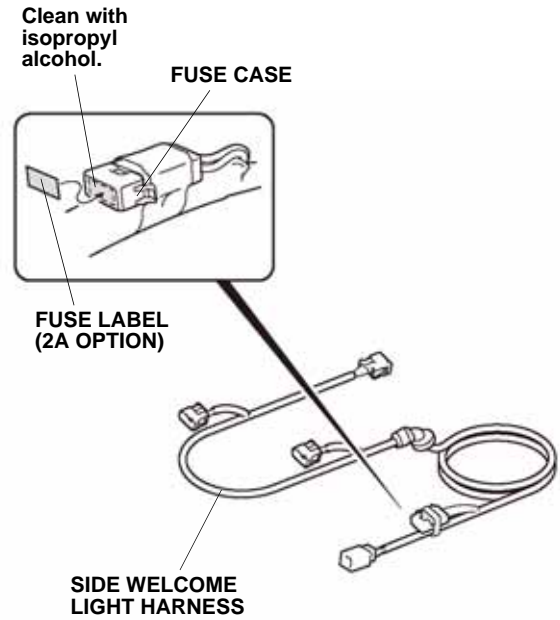
16. Install the three lights B to each trim B as shown.  
NOTE: Make sure to check the identification marks before installation.



18. Install the two trim A and one trim B to the vehicle panel with two bolts A (black) and one bolt B (silver) as shown.

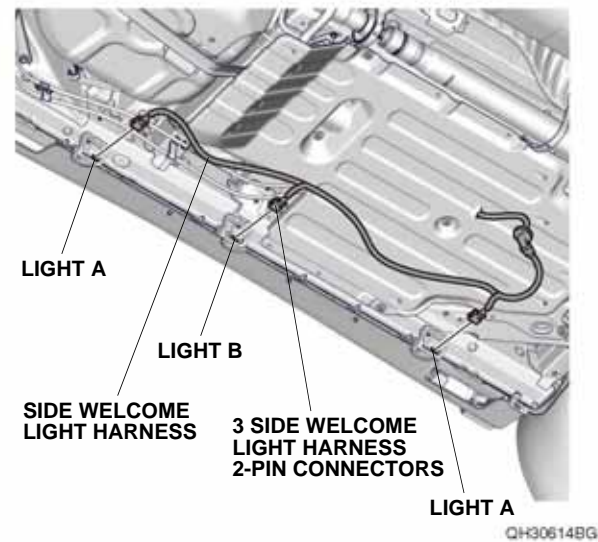


19. Using isopropyl alcohol on a shop towel, thoroughly clean the fuse case where the fuse label will attach. Attach the fuse label (2A OPTION) to the fuse case on the side welcome light harness.



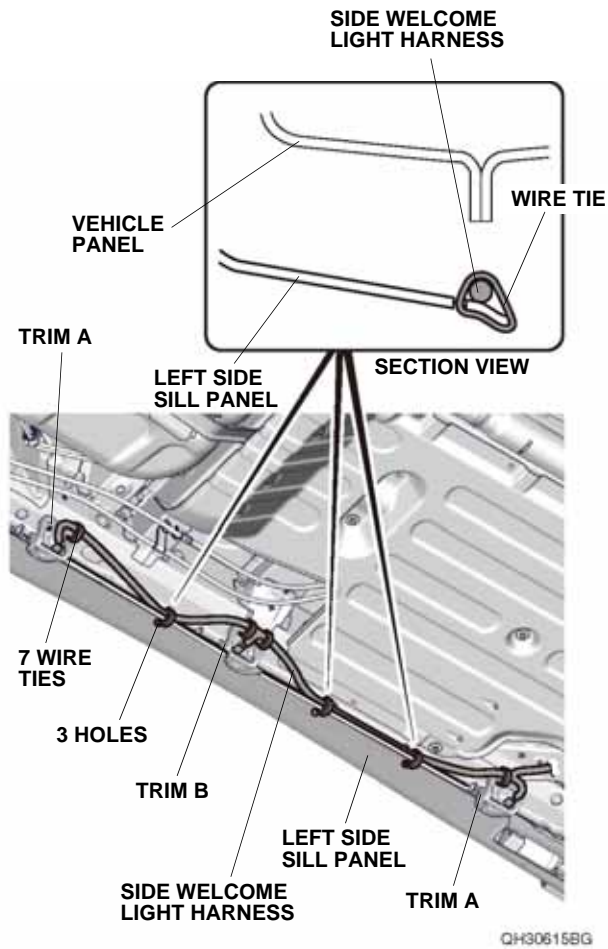
QH30613AG

20. Plug the three side welcome light harness 2-pin connectors into the two lights A and one light B.

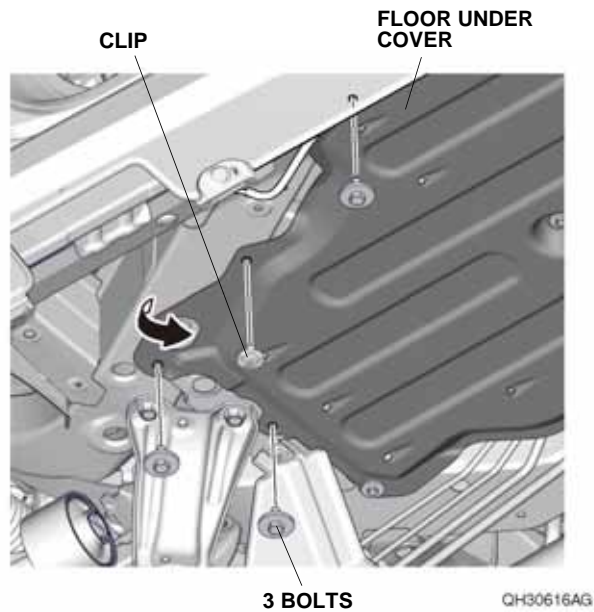




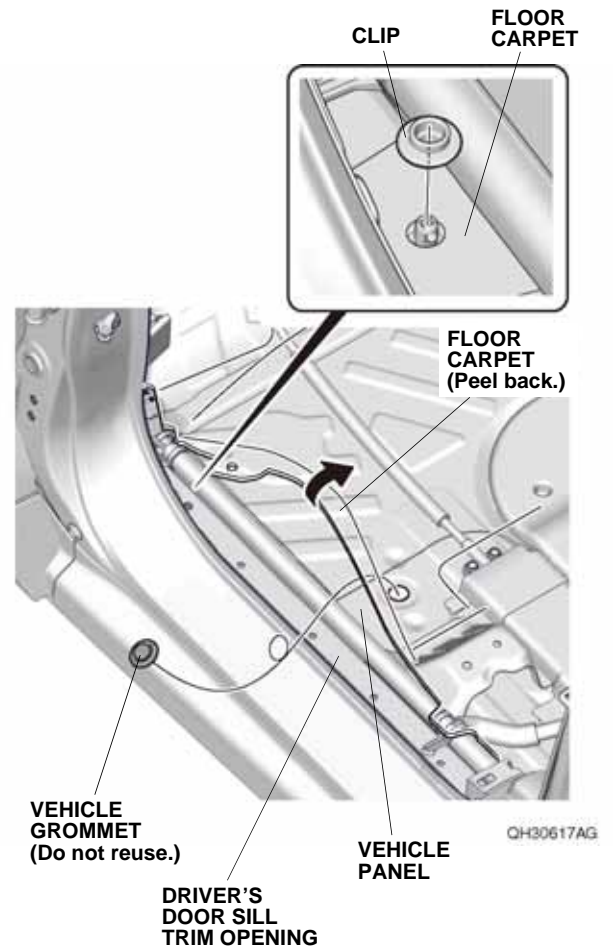
21. Secure the side welcome light harness to the two trim A, one trim B, and left side sill panel with seven wire ties as shown.



22. Remove the one clip and three bolts to release the floor under cover.

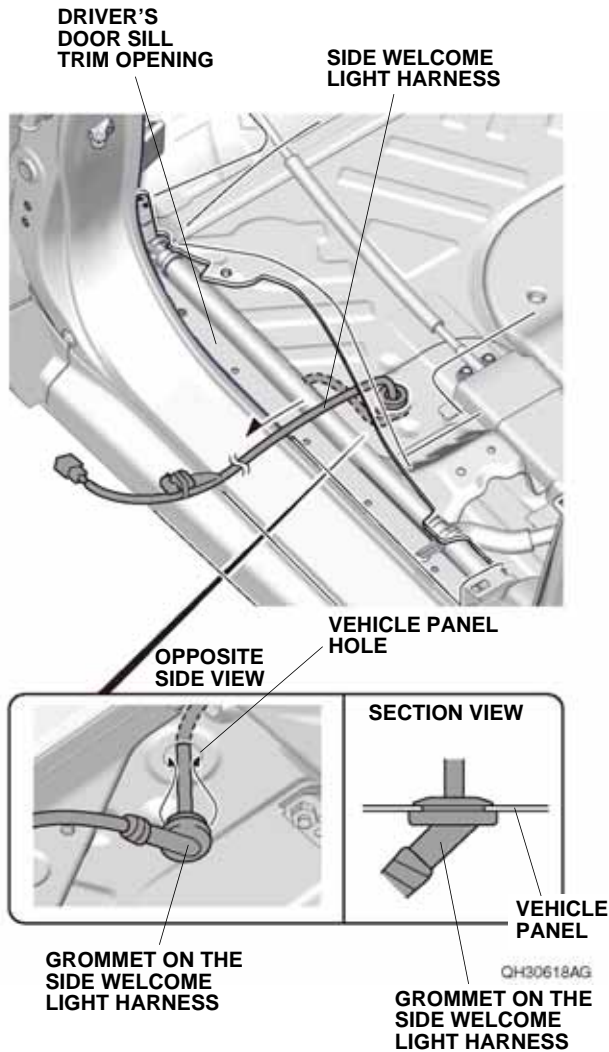


23. Remove one clip on the driver's side and peel back the floor carpet.



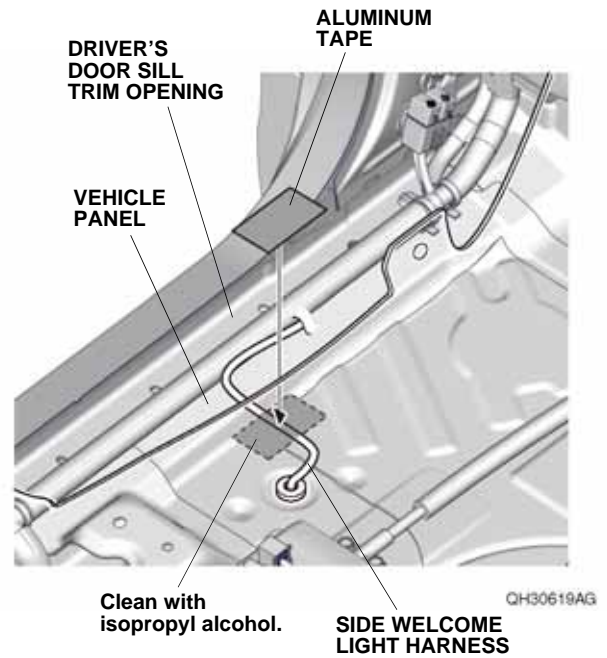
24. Remove the vehicle grommet from the vehicle panel.

25. Route the side welcome light harness through the vehicle panel hole as shown.

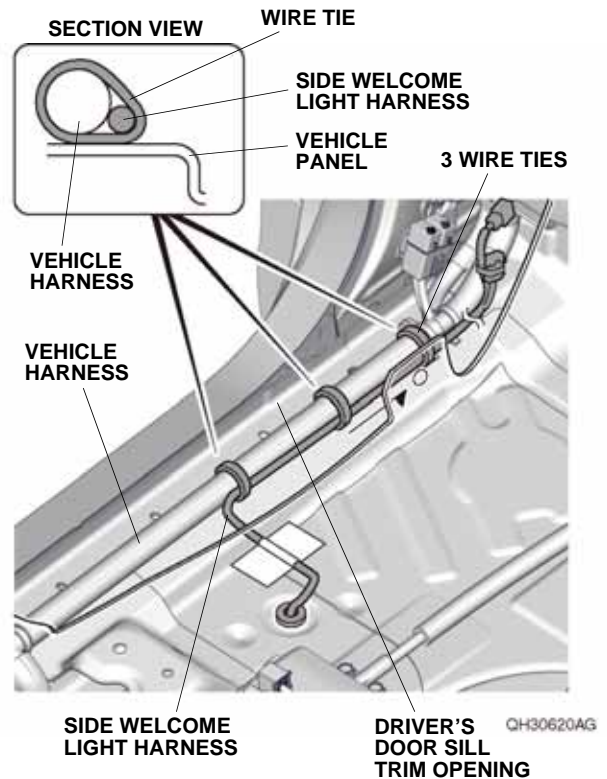


26. Secure the grommet on the side welcome light harness to the vehicle panel hole.
- NOTE:
- Install the side welcome light harness by holding the grommet.
  - Make sure the grommet is seated properly.

27. Using isopropyl alcohol on a shop towel, thoroughly clean the vehicle panel where the aluminum tape will attach.



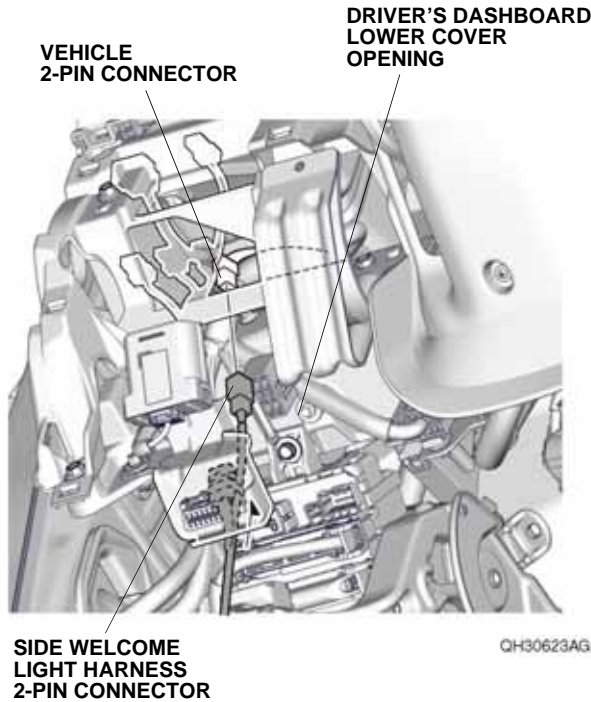
28. Secure the side welcome light harness to the vehicle panel with one aluminum tape as shown.
29. Route the side welcome light harness along the vehicle harness, and secure it to the vehicle harness with three wire ties as shown.



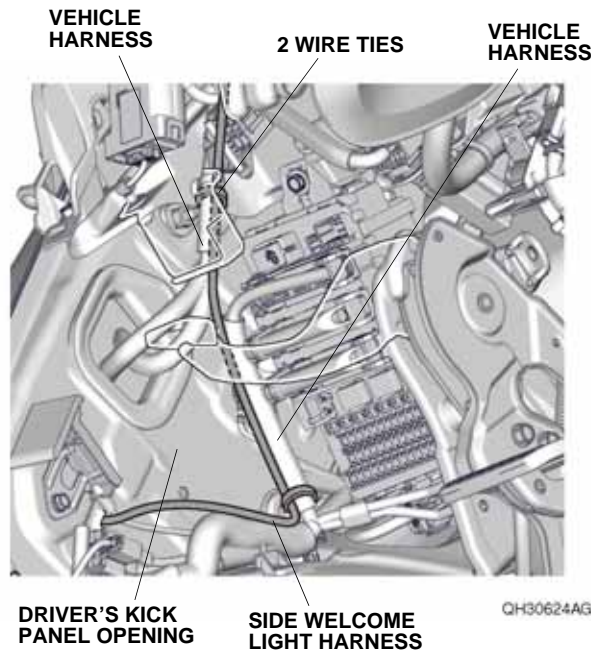
If the vehicle is equipped with another accessory harness, go to step 33; otherwise, continue with step 30.

### Without another accessory harness

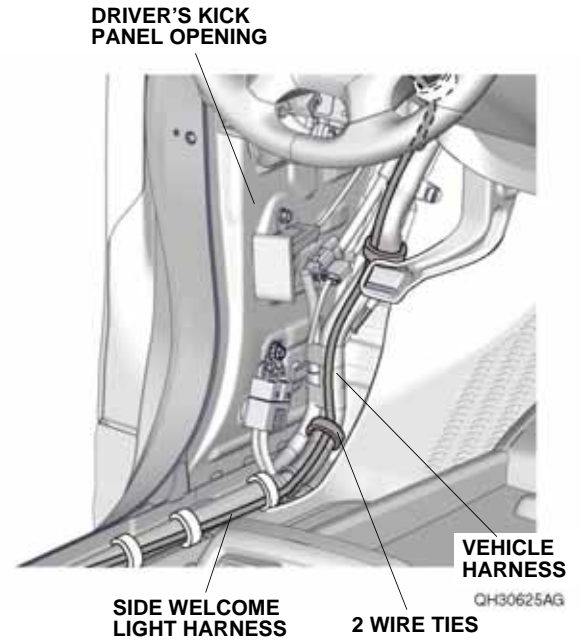
30. Route the side welcome light harness, and plug the vehicle 2-pin connector into the side welcome light harness 2-pin connector.



31. Secure the side welcome light harness to the vehicle harness with two wire ties.

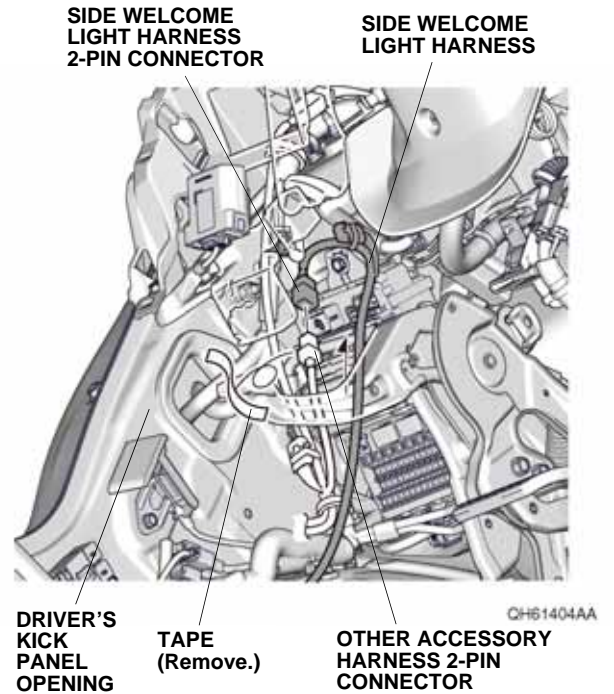


32. Secure the side welcome light harness to the vehicle harness with two wire ties. Go to step 35.

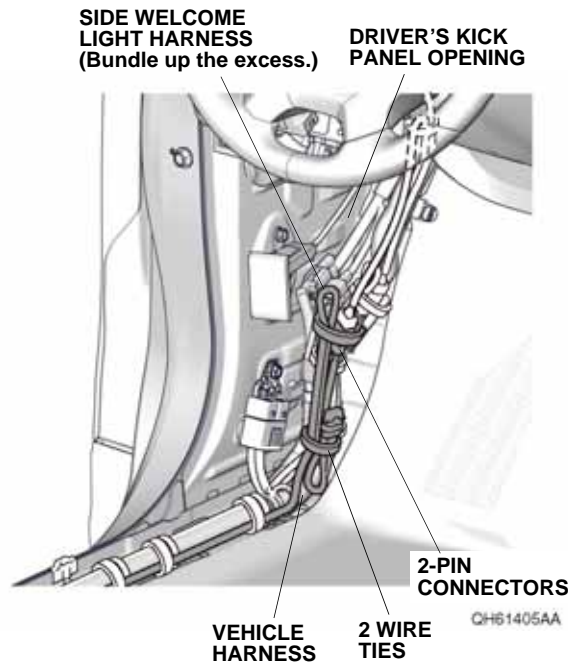


### With another accessory harness

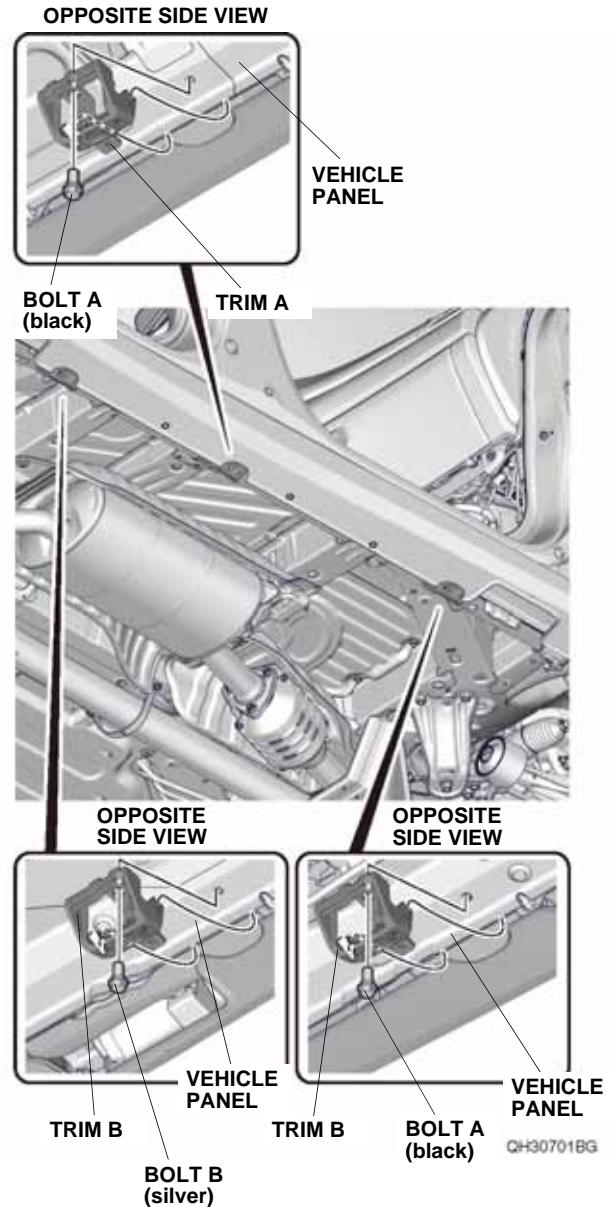
33. Route the side welcome light harness. Remove the tape to free the other accessory harness 2-pin connector, and plug it into the side welcome light harness 2-pin connector.



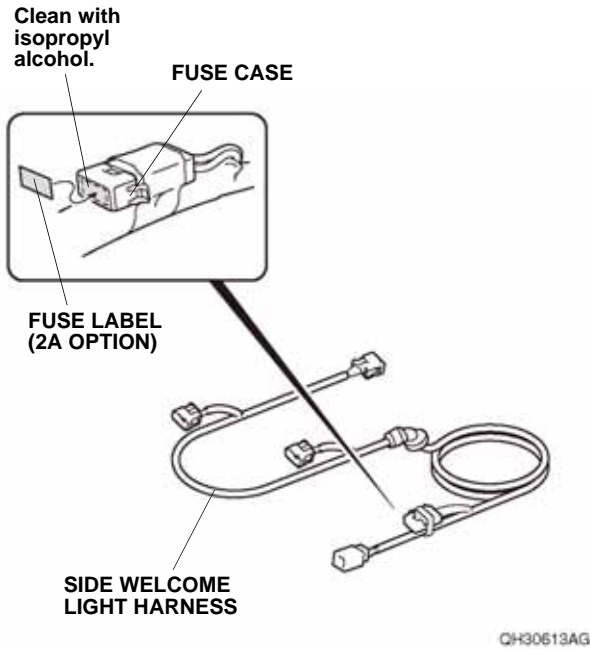
34. Bundle up the excess side welcome light harness, and secure it and 2-pin connectors to the vehicle harness with two wire ties as shown.



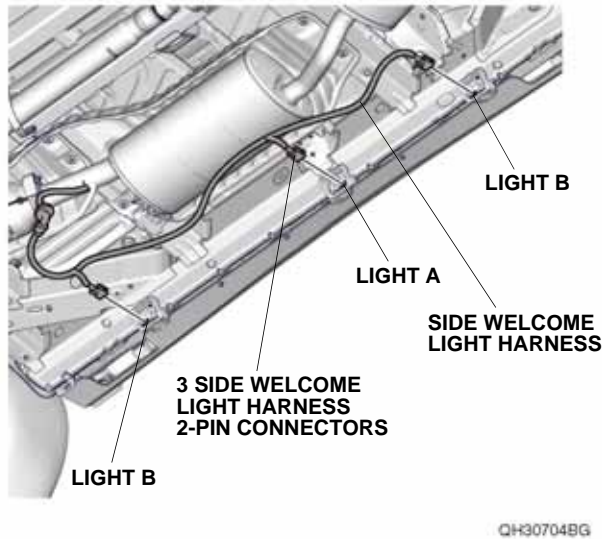
35. Install the one trim A and two trim B to the vehicle panel with two bolts A (black) and one bolt B (silver) as shown.



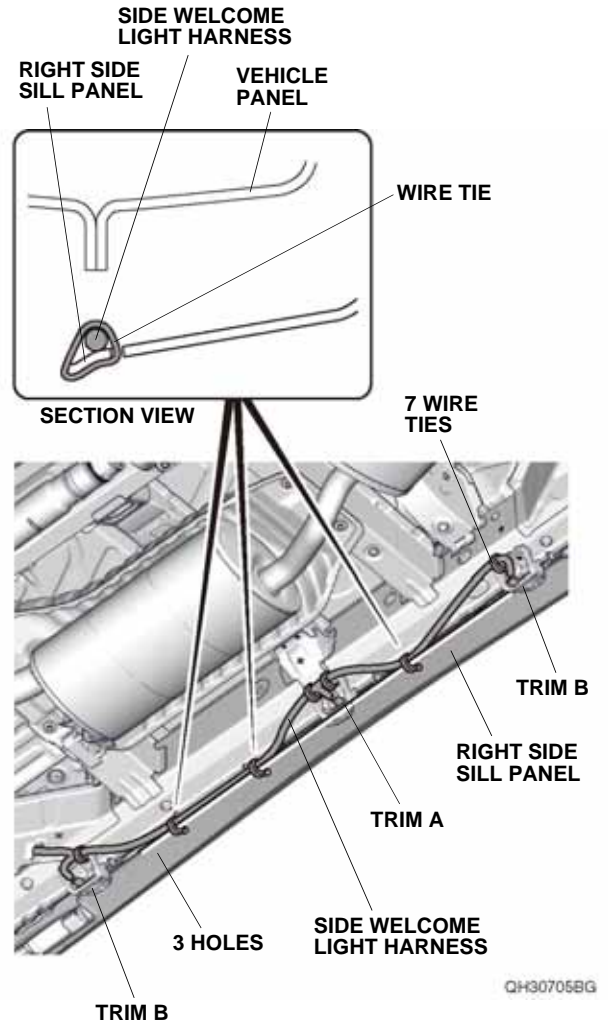
36. Using isopropyl alcohol on a shop towel, thoroughly clean the fuse case where the fuse label will attach. Attach the fuse label (2A OPTION) to the fuse case on the side welcome light harness.



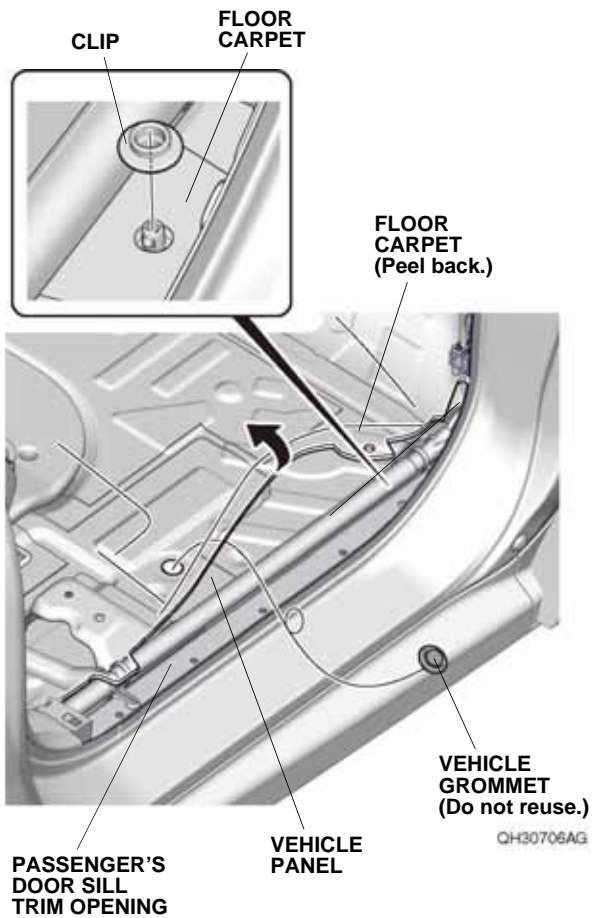
37. Plug the three side welcome light harness 2-pin connectors into the one light A and two lights B.



38. Secure the side welcome light harness to the one trim A, two trim B, and right side sill panel with seven wire ties as shown.

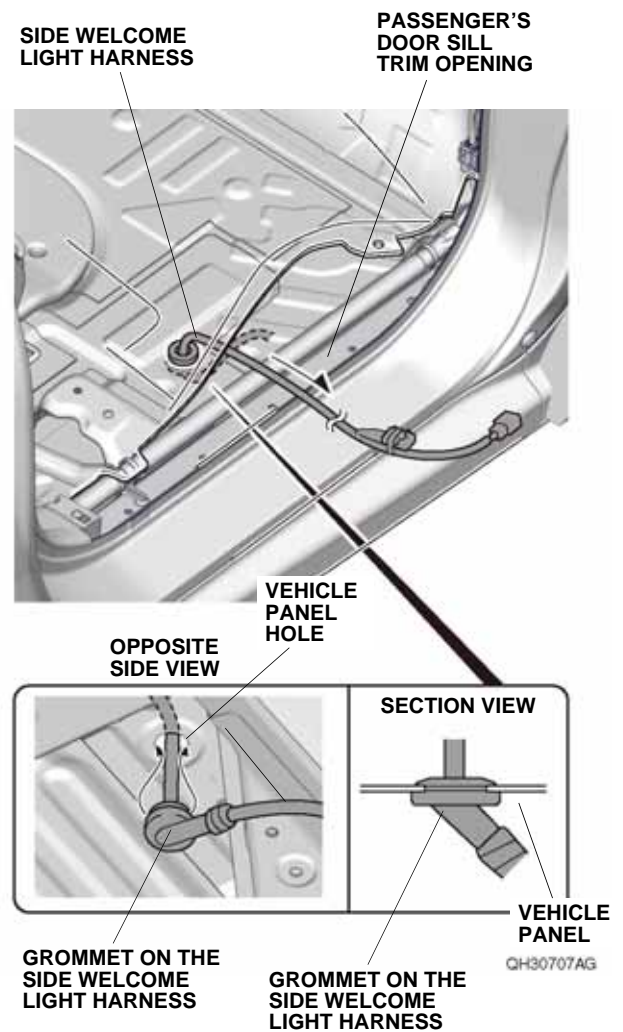


39. Remove one clip on the passenger's side and peel back the floor carpet.



40. Remove the vehicle grommet from the vehicle panel.

41. Route the side welcome light harness through the vehicle panel hole as shown.

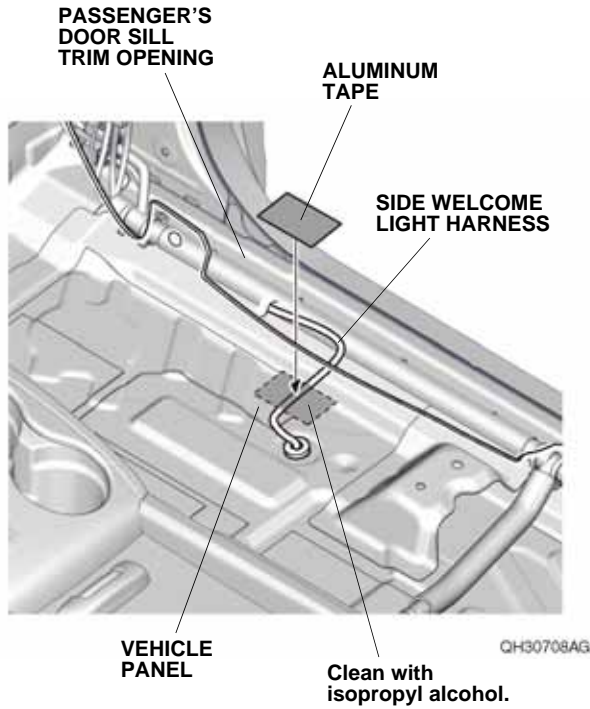


42. Secure the grommet on the side welcome light harness to the vehicle panel hole.

**NOTE:**

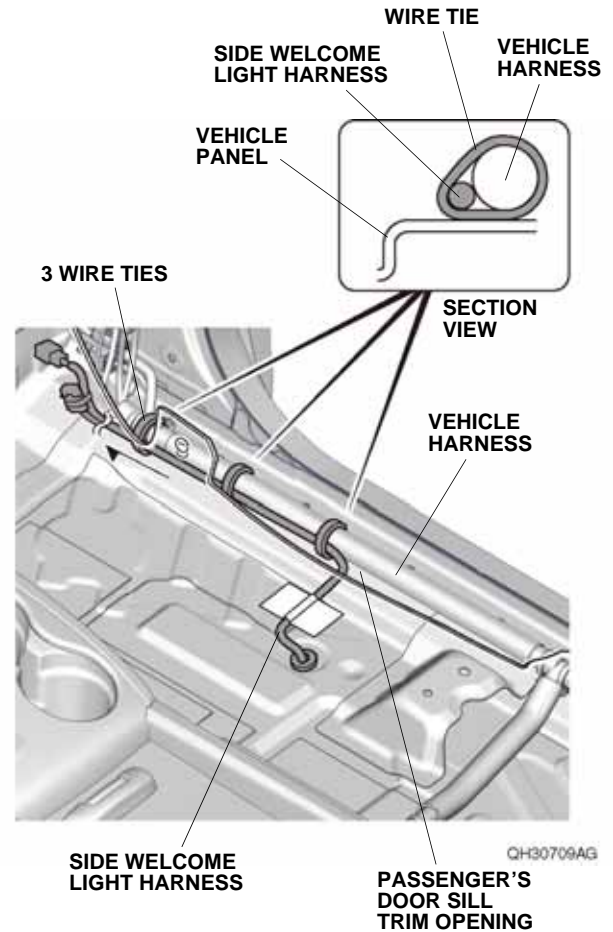
- Install the side welcome light harness by holding the grommet.
- Make sure the grommet is seated properly.

43. Using isopropyl alcohol on a shop towel, thoroughly clean the vehicle panel where the aluminum tape will attach.



44. Secure the side welcome light harness to the vehicle panel with one aluminum tape as shown.

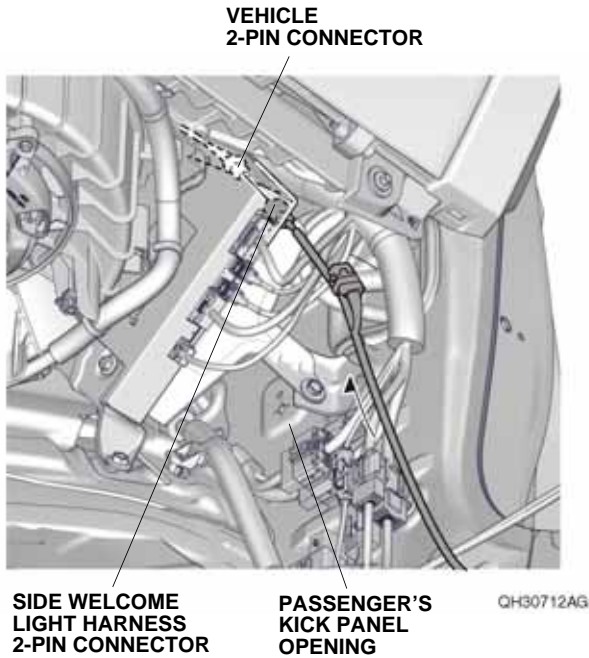
45. Route the side welcome light harness along the vehicle harness, and secure it to the vehicle harness with three wire ties as shown.



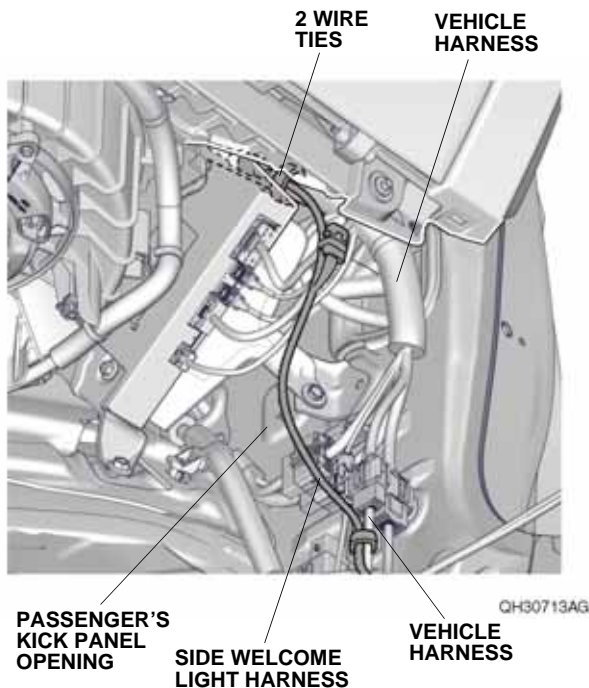
If the vehicle is equipped with another accessory harness, go to step 49; otherwise, continue with step 46.

## Without other accessory harness

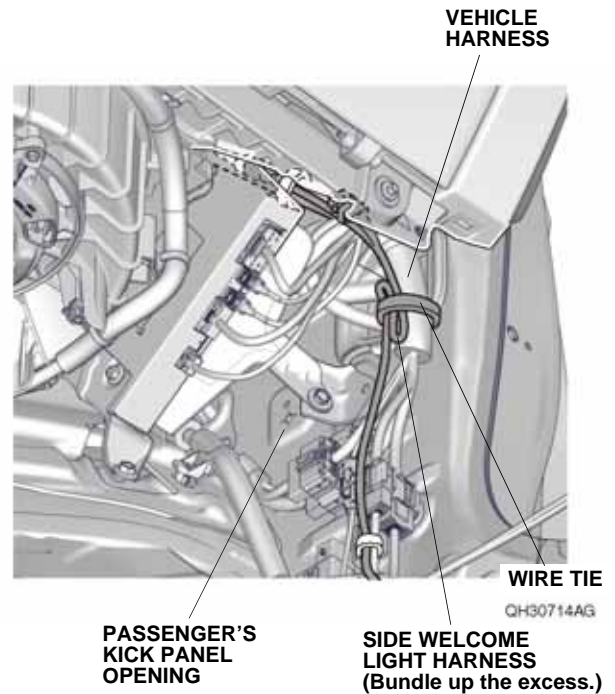
46. Route the side welcome light harness, and plug the vehicle 2-pin connector into the side welcome light harness 2-pin connector.



47. Secure the side welcome light harness to the vehicle harness with two wire ties.

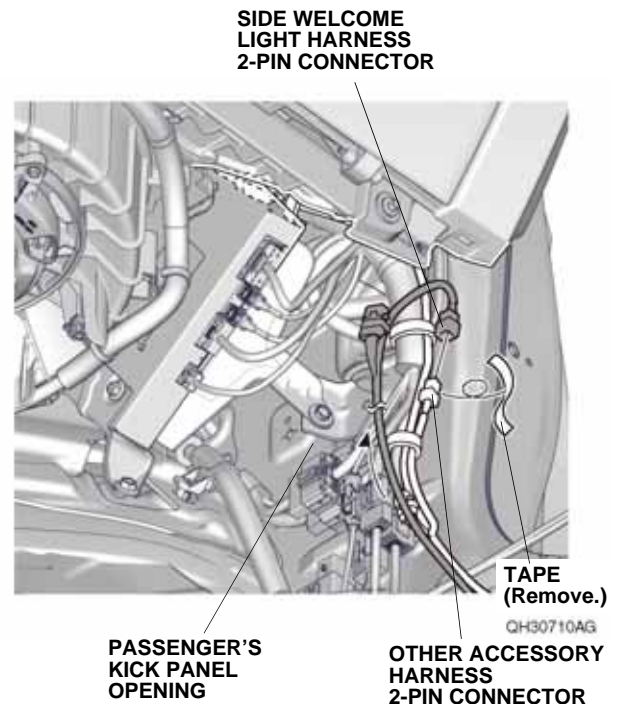


48. Bundle up the excess side welcome light harness, and secure it to the vehicle harness with one wire tie as shown. Go to step 51.



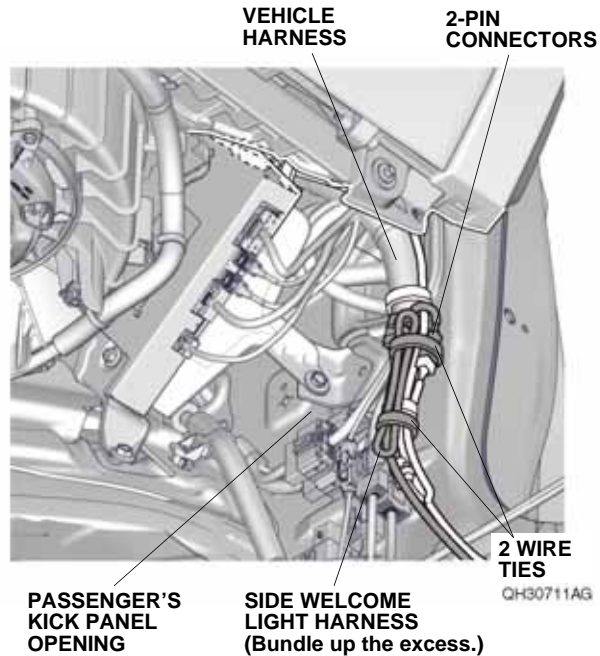
## With another accessory harness

49. Route the side welcome light harness. Remove the tape to free the other accessory harness 2-pin connector, and plug it into the side welcome light harness 2-pin connector.





50. Bundle up the excess side welcome light harness, and secure it and 2-pin connectors to the vehicle harness with two wire ties as shown.



51. Check that all wire harnesses are routed properly and all connectors are plugged in.
52. Install all removed parts except for the front bulkhead cover and the intake air tube.
53. Connect the negative cable to the battery.
54. Install the front bulkhead cover and the intake air tube.
55. Press and hold the audio unit power button for 2 seconds to restore the audio and navi (if equipped) system functions.
56. Set the clock on vehicle without navigation.

### **Check the Operation of the Side Welcome Lights**

57. Make sure the lights turn on when the door is opened.
58. Make sure the lights turn off after the doors have been closed for a period of time.
59. Make sure the lights turn on when the driver's door is unlocked.