



## INSTALLATION INSTRUCTIONS

Accessory  
SECOND ROW SEAT-BACK PROTECTORS

Application  
2019 PILOT

Publications No.  
**VERSION 1**  
Issue Date  
**JUN 2018**

### PARTS LIST

**Second Row Seat-back Protectors Kit**  
P/N 08P42-TG7-100B  
P/N 08P42-TG7-100C  
P/N 08P42-TG7-100D

\*: The part differs depending on the kits.

\*Left second row seat-back protector  
(P/N 08P42-TG7-100B)



\*Left second row seat-back protector  
(P/N 08P42-TG7-100C)



\*Left second row seat-back protector  
(P/N 08P42-TG7-100D)



\*Right second row seat-back protector  
(P/N 08P42-TG7-100B)



\*Right second row seat-back protector  
(P/N 08P42-TG7-100C)  
(P/N 08P42-TG7-100D)



12 Well nuts



12 Snaps



12 Screws



### TOOLS AND SUPPLIES REQUIRED

Phillips screwdriver

Drill

3 mm Drill bit

T-pin

Masking tape

File

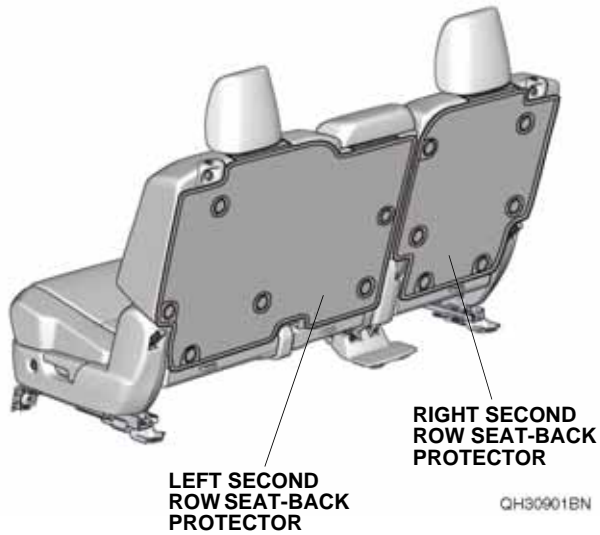
Ruler

Eye protection (face shield, safety goggles, etc.)

*The following tool is available through the Honda Tool and Equipment Program. On the iN, click on: Service > Service Bay > Tool and Equipment Program, then enter the number under "Search." Or, call 888-424-6857.*

Rotabroach Hole Cutting Kit (T/N BLR11201SO)

## Illustration of the Second Row Seat-back Protectors on the Vehicle



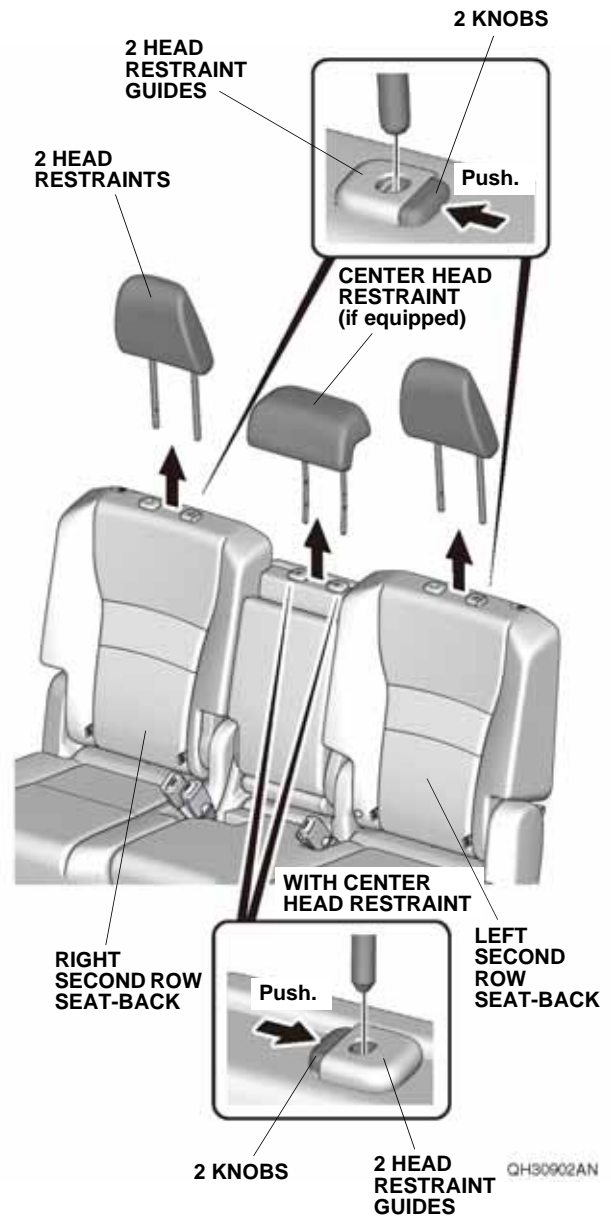
## INSTALLATION

**Customer Information:** The information in this installation instruction is intended for use only by skilled technicians who have the proper tools, equipment, and training to correctly and safely add equipment to your vehicle. These procedures should not be attempted by "do-it-yourselfers."

NOTE: Be careful not to damage the body.

## Installing the Second Row Seat-back Protectors

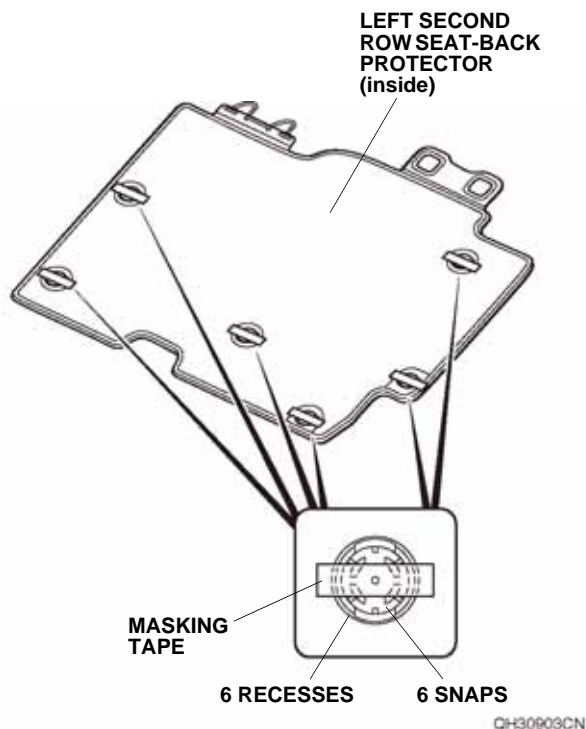
1. While pressing on each head restraint guide knob, remove the two head restraints and center head restraint (if equipped) by pulling them upward.



If the vehicle is equipped with second row bench seats, continue with step 2; if the vehicle is equipped with second row captain seats, go to step 20.

## With second row bench seats

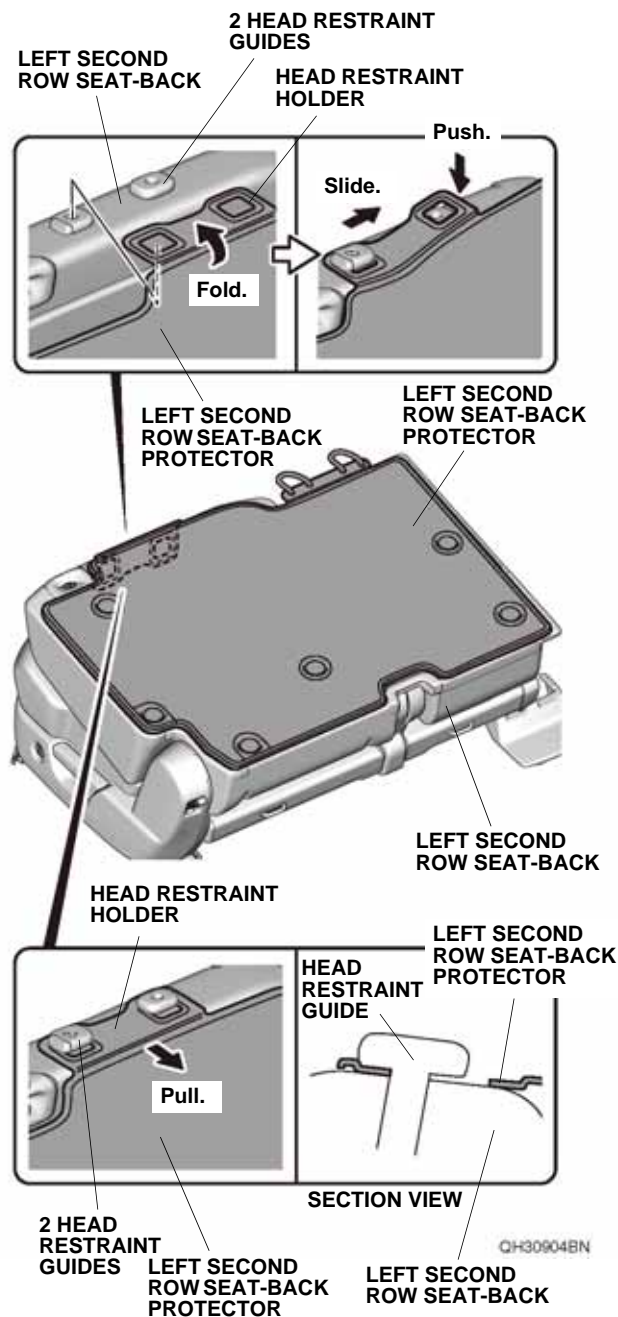
- Center the snaps on the left second row seat-back protector, and tape them in place on the back surface as shown.



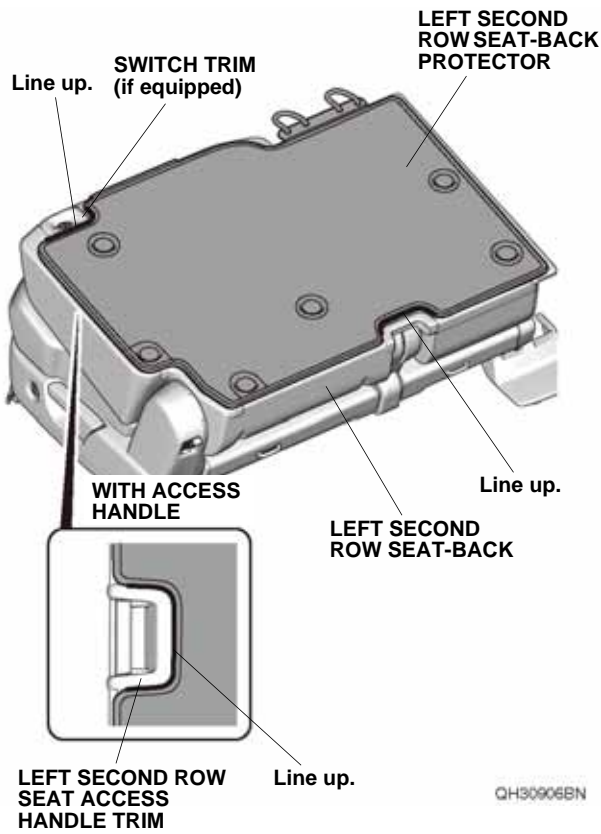
- Fold down the left second row seat-back.



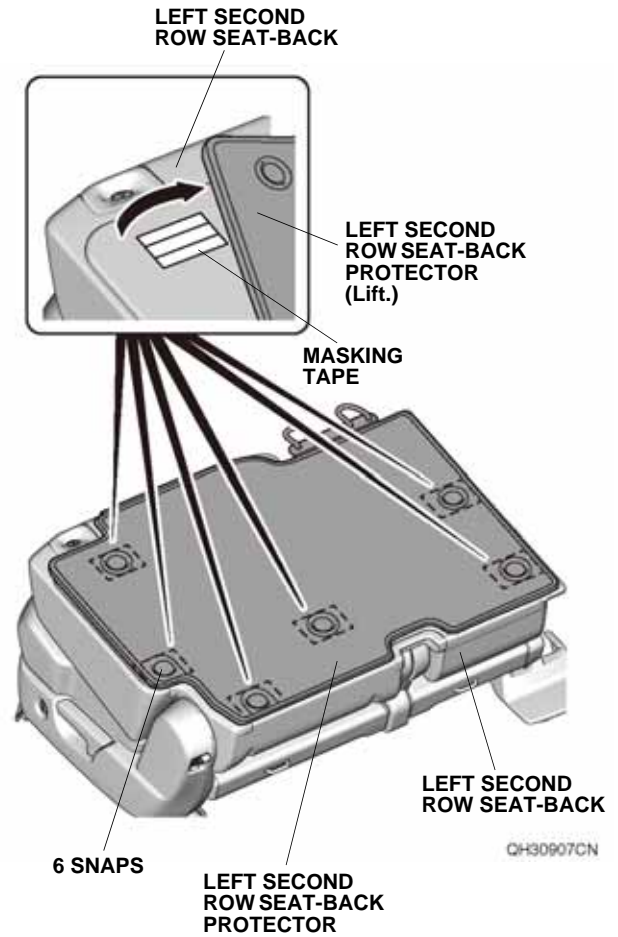
- Place the left second row seat-back protector on the left second row seat-back. Secure the two head restraint holders to the four head restraint guides as shown.



5. Line up the left second row seat-back protector with the left second row seat-back as shown.

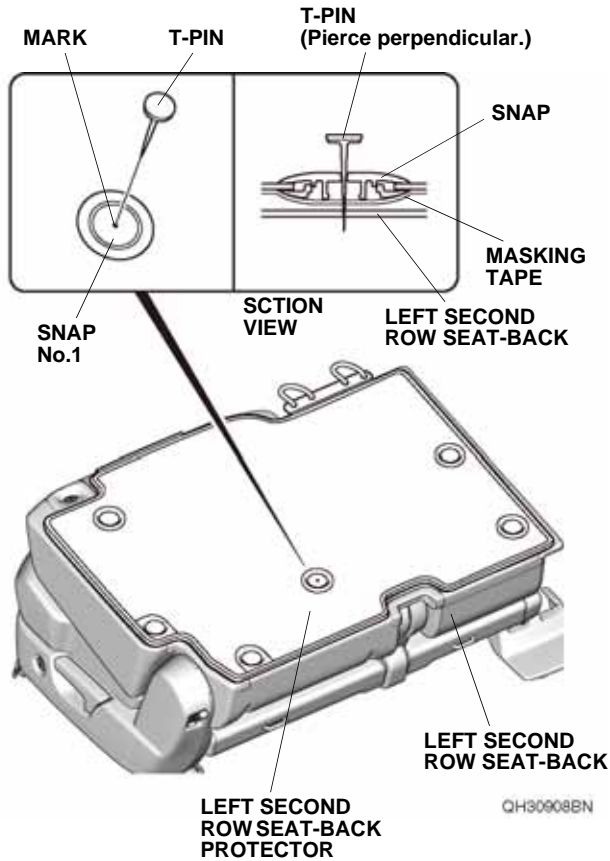


6. Lift the left second row seat-back protector, and attach masking tape to the left second row seat-back where the snaps will be located.



7. Using a pushpin, pierce the left second row seat-back through the hole on the left second row seat-back protector snap as shown. Remove the masking tape attached in step 2 from the left second row seat-back protector.

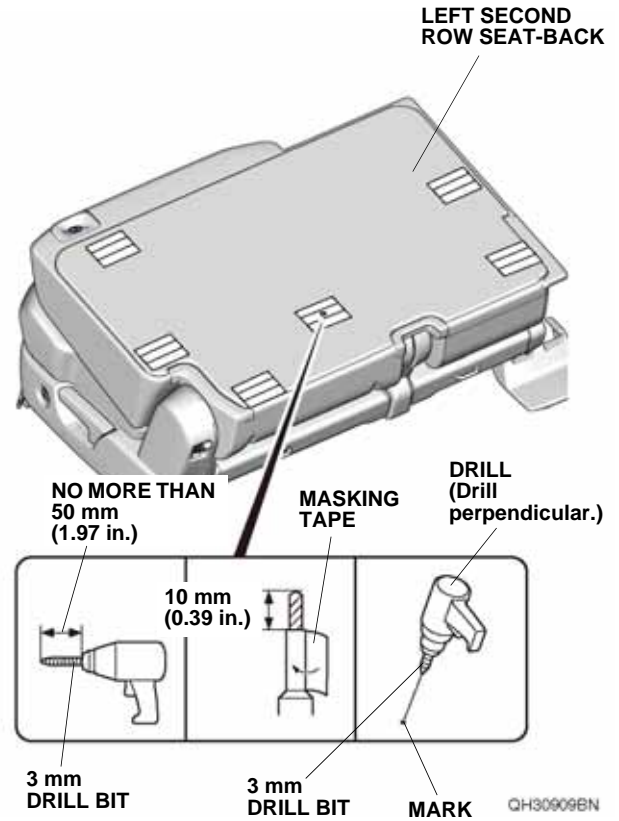
NOTE: Make sure to pierce the left second row seat-back perpendicular. Do not remove the masking tape where the left second row seat-back is not marked yet.



8. Remove the left second row seat-back protector.

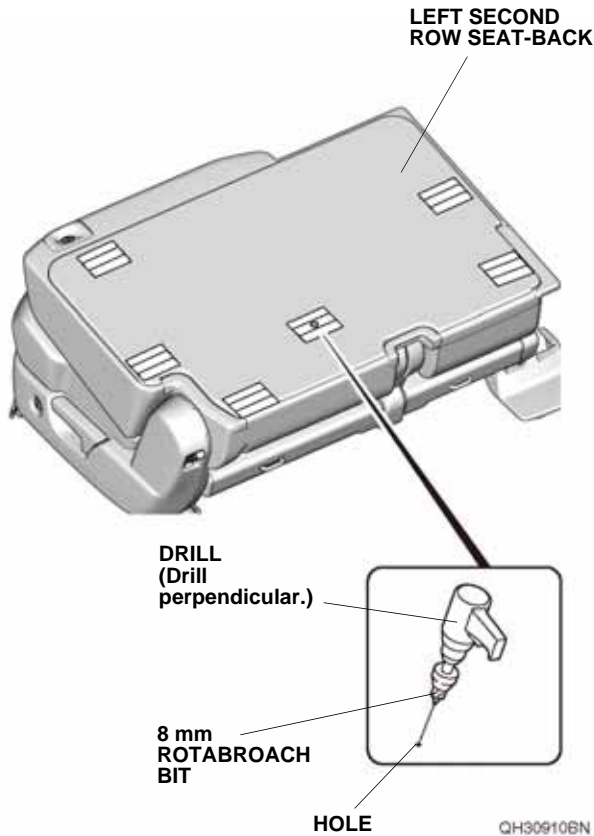
9. While wearing eye protection, use a 3 mm drill bit to drill the pierced mark as shown.

NOTE: Insert a 3 mm drill bit into the drill. Make sure that the drill bit extension is no more than 50 mm (1.97 in.). Wrap masking tape around the 10 mm drill bit 10 mm (0.39 in.) from the tip, or use a drill stop. Make sure to drill the left second row seat-back perpendicular.



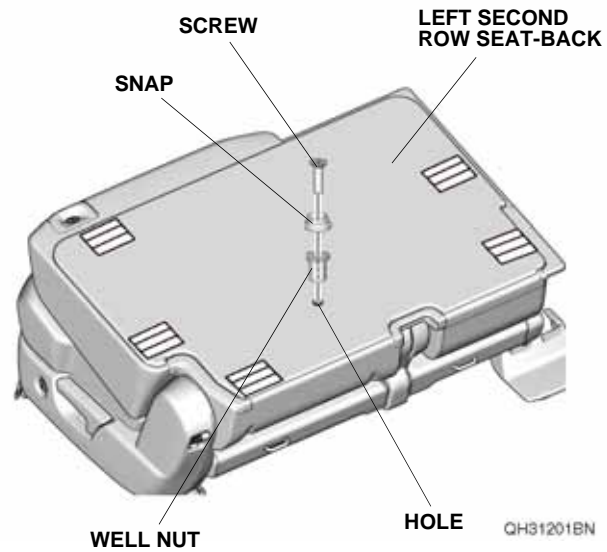


10. While wearing eye protection, use a 8 mm Rotabroach bit to drill the hole as shown. Remove any burrs.

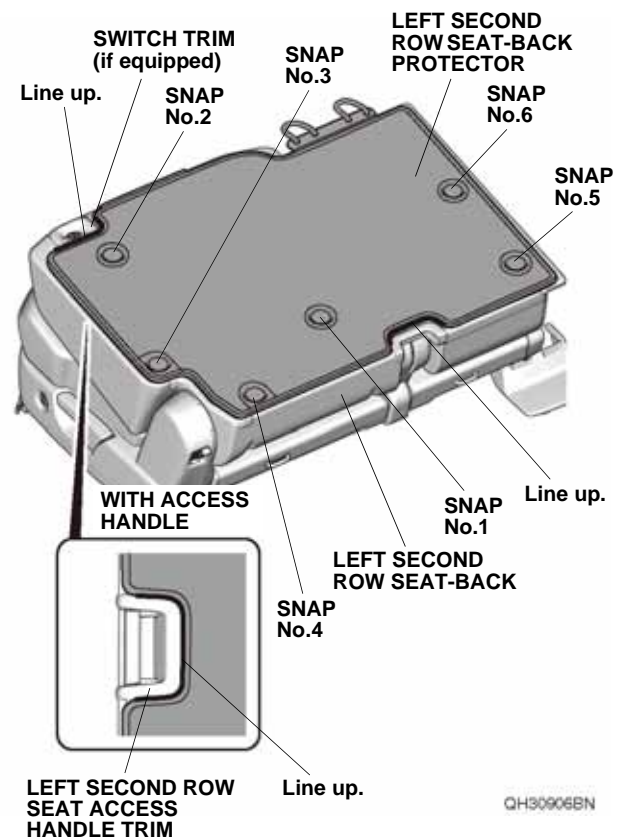


11. Remove the masking tape attached in step 6 at the drilled position from the left second row seat-back. **NOTE:** Do not remove the masking tape where the left second row seat-back is not marked yet.

12. Install the snap, and well nut into the hole on the left second row seat-back with one screw as shown.

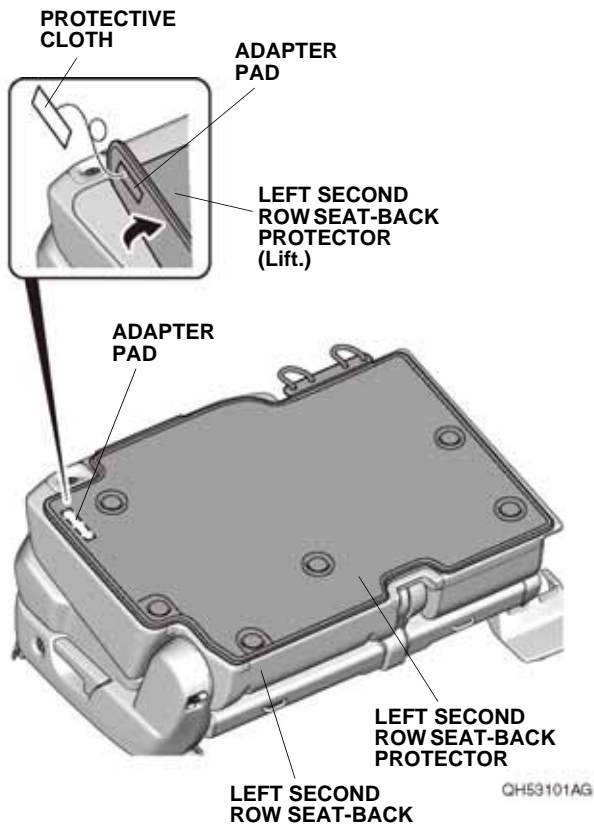


13. Line up the left second row seat-back protector with the left second row seat-back as shown.



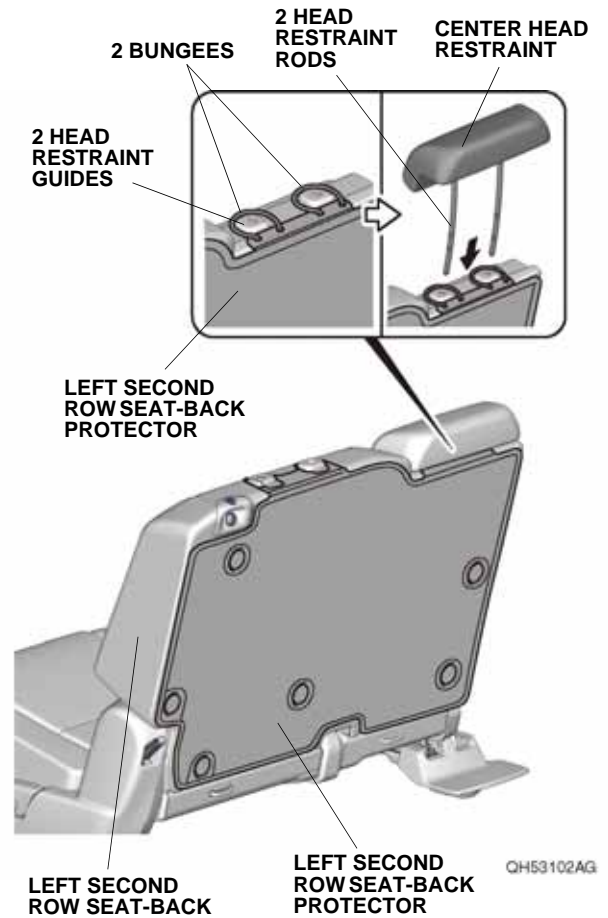
14. Temporarily attach the left second row seat-back protector with snap No.1.
15. Repeat steps 7 through 13 for each of the remaining snaps one by one following the pattern as shown.

16. Attach the left second row seat-back protector with the snaps installed in previous steps. Lift the outer top corner of the left second row seat-back protector as shown, and remove the protective cloth of the adapter pad.



17. Apply pressure to the left second row seat-back protector at the area where the Velcro is located, make front to back movements while applying pressure to ensure proper attachment of adapter pad.

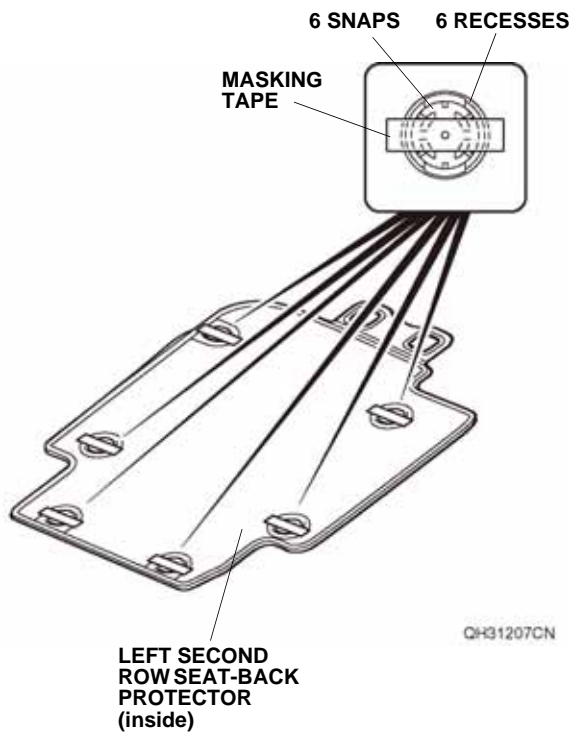
18. Raise the left second row seat-back. Install the center head restraint on the left second row seat. Bungee on center head restraint should be installed at this point, making sure it is secure by the head restraining rods.



19. Install the head restraint on the left second row seat.

## With second row captain seats

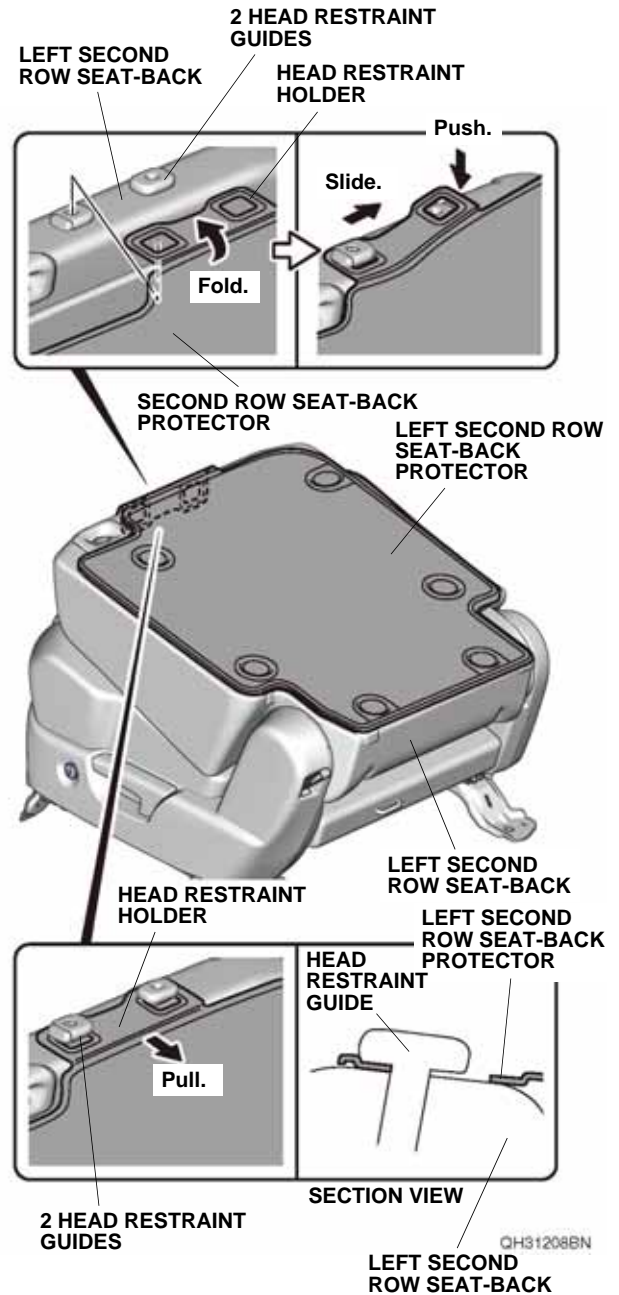
20. Center the snaps on the left second row seat-back protector, and tape them in place on the back surface as shown.



21. Fold down the left second row seat-back.

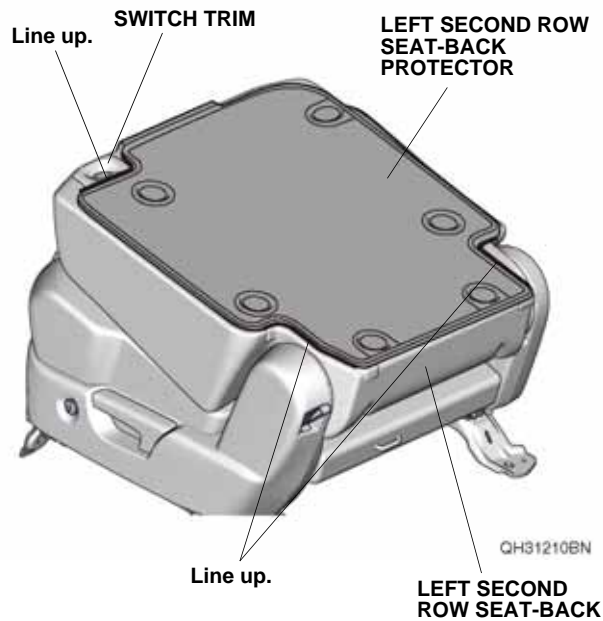


22. Place the left second row seat-back protector on the left second row seat-back. Secure the head restraint holder to the two head restraint guides as shown.

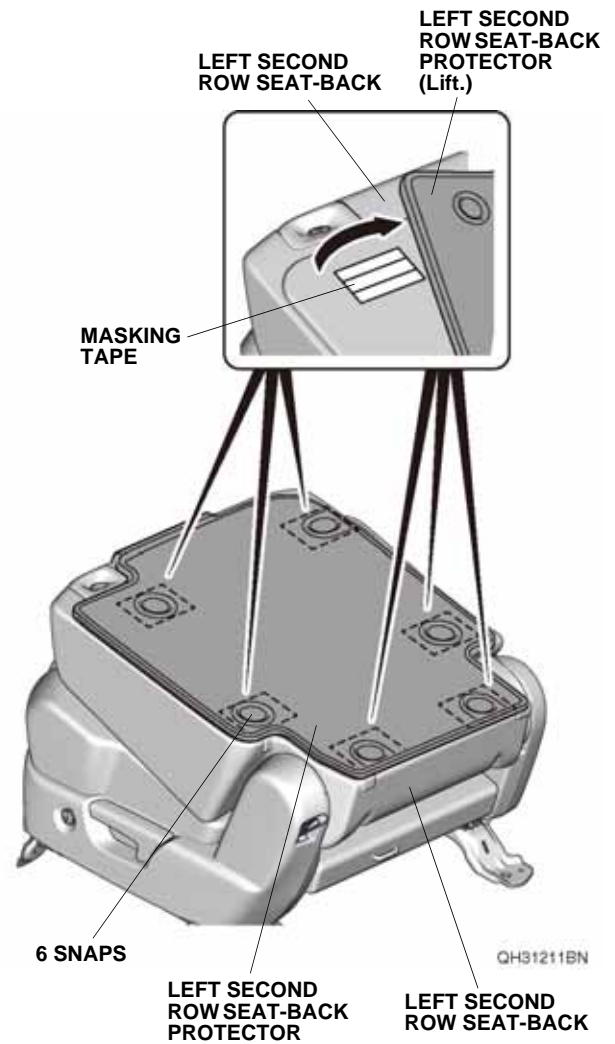




23. Line up the left second row seat-back protector with the left second row seat-back as shown.

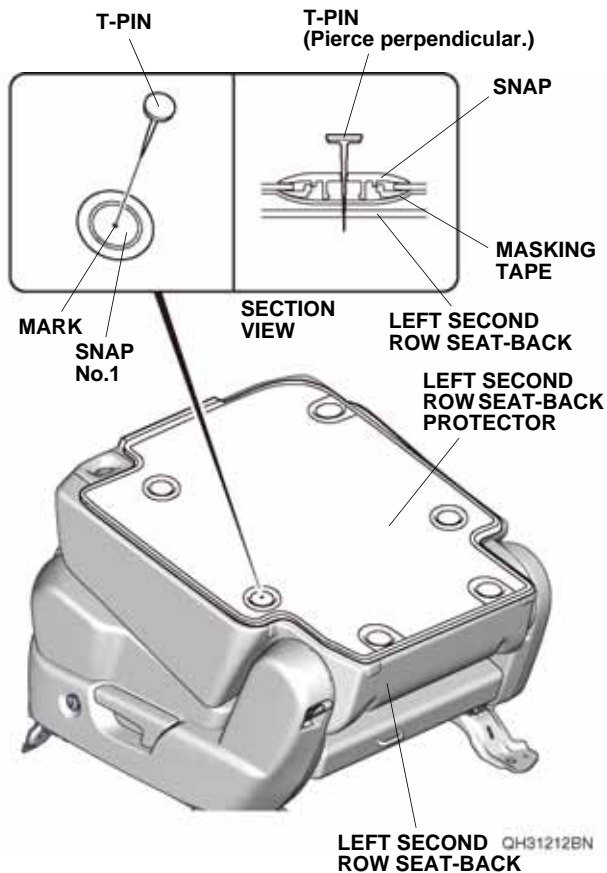


24. Lift the left second row seat-back protector, and attach masking tape to the left second row seat-back where the snaps will be located.



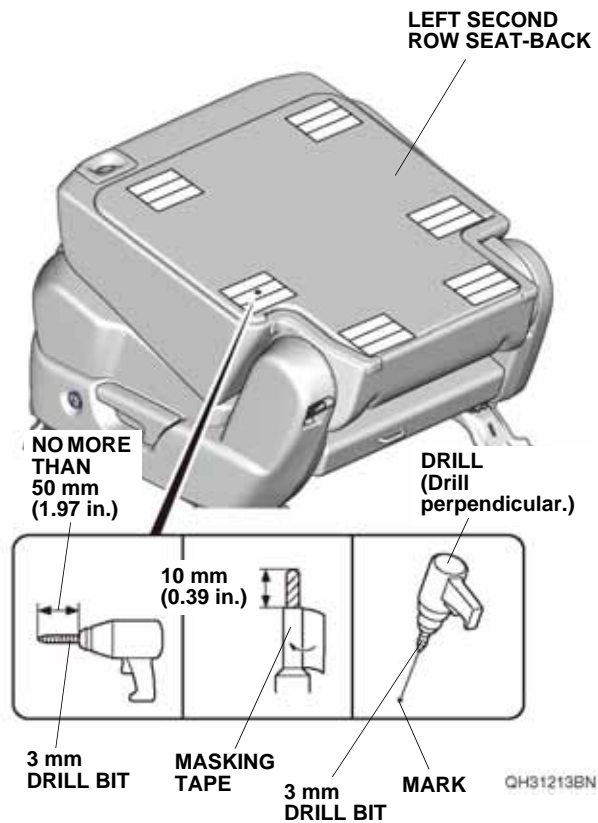
25. Using a pushpin, pierce the left second row seat-back through the hole on the left second row seat-back protector snap as shown. Remove the masking tape attached in step 20 from the left second row seat-back protector.

NOTE: Make sure to pierce the left second row seat-back perpendicular. Do not remove the masking tape where the left second row seat-back is not marked yet.



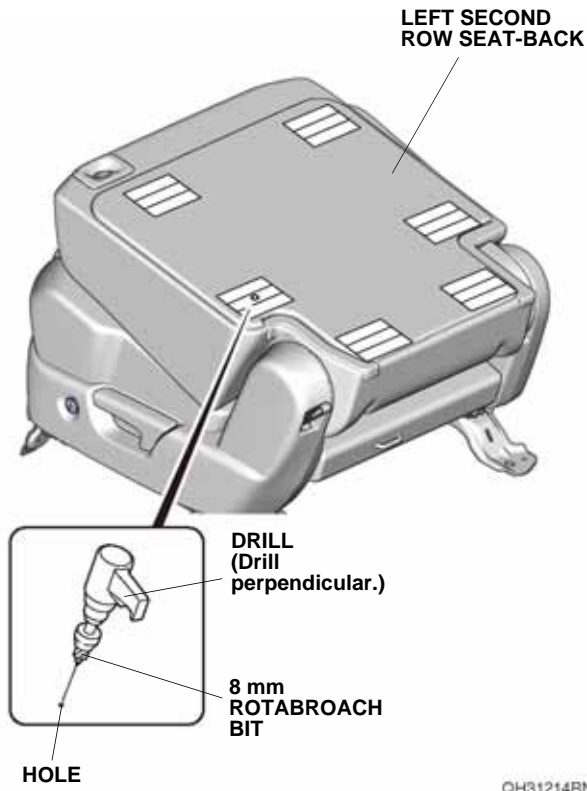
27. While wearing eye protection, use a 3 mm drill bit to drill the pierced mark as shown.

NOTE: Insert a 3 mm drill bit into the drill. Make sure that the drill bit extension is no more than 50 mm (1.97 in.). Wrap masking tape around the 10 mm drill bit 10 mm (0.39 in.) from the tip, or use a drill stop. Make sure to drill the left second row seat-back perpendicular.



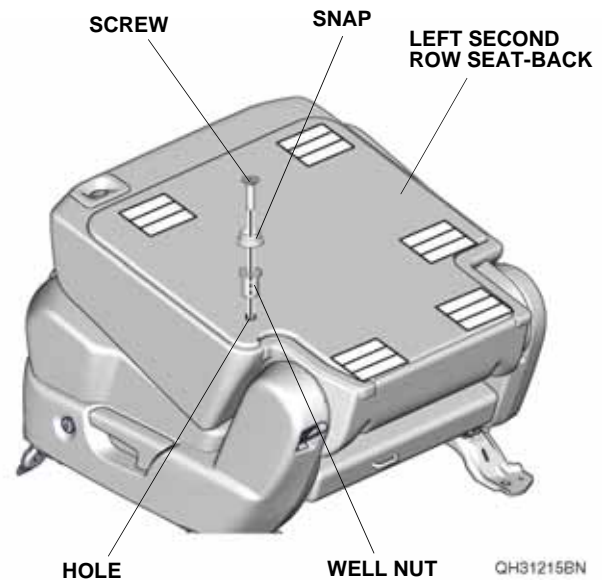
26. Remove the left second row seat-back protector.

28. While wearing eye protection, use a 8 mm Rotabroach bit to drill the hole as shown. Remove any burrs.

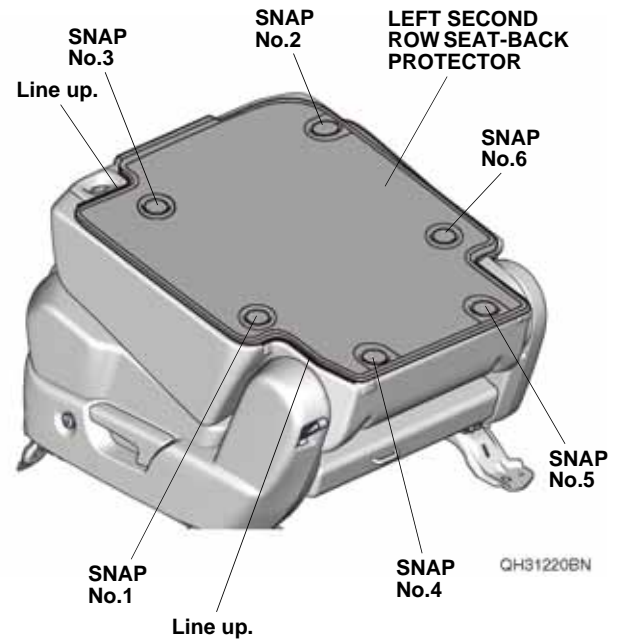


29. Remove the masking tape attached in step 24 at the drilled position from the left second row seat-back. NOTE: Do not remove the masking tape where the left second row seat-back is not marked yet.

30. Install the snap, and well nut into the hole on the left second row seat-back with one screw as shown.

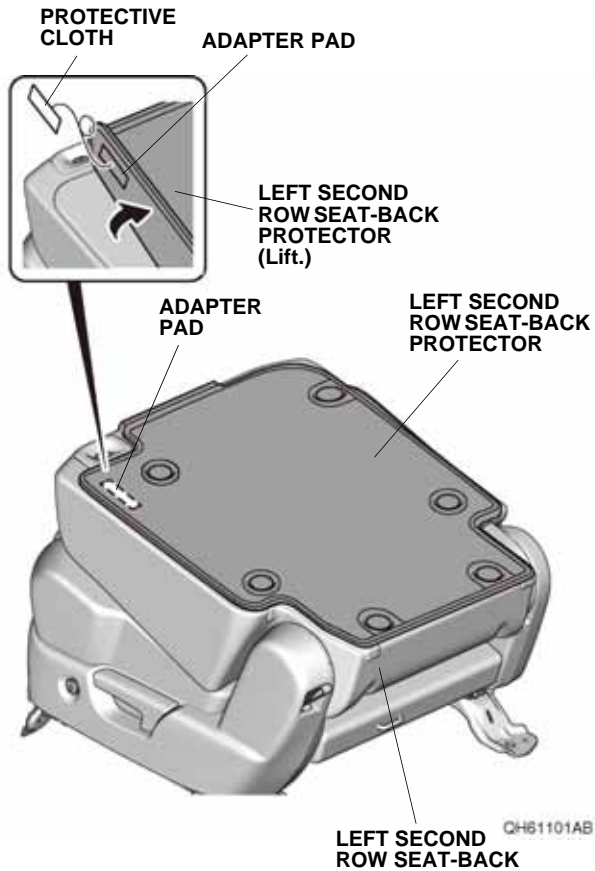


31. Line up the left second row seat-back protector with the left second row seat-back as shown.



32. Temporarily attach the left second row seat-back protector with snap No.1.
33. Repeat steps 25 through 31 for each of the remaining snaps one by one following the pattern as shown.

34. Attach the left second row seat-back protector with the snaps installed in previous steps. Lift the outer top corner of the left second row seat-back protector as shown, and remove the protective cloth of the adapter pad.



35. Apply pressure to the left second row seat-back protector at the area where the Velcro is located, make front to back movements while applying pressure to ensure proper attachment of adapter pad.
36. Raise the left second row seat-back. Install the head restraint on the left second row seat.

37. Install the right second row seat-back protector follow the steps 20 through 36 on the right second row seat-back in the pattern shown below.

