



## INSTALLATION INSTRUCTIONS

Accessory  
DOOR LOWER TRIM

Application  
2019 PILOT

Publications No.  
**VERSION 1**  
Issue Date  
**JUN 2018**

### PARTS LIST

Door Lower Trim Kit  
P/N 08F57-TG7-100A  
P/N 08F57-TG7-100B

Left front door lower trim



Right front door lower trim



Left rear door lower trim



Right rear door lower trim



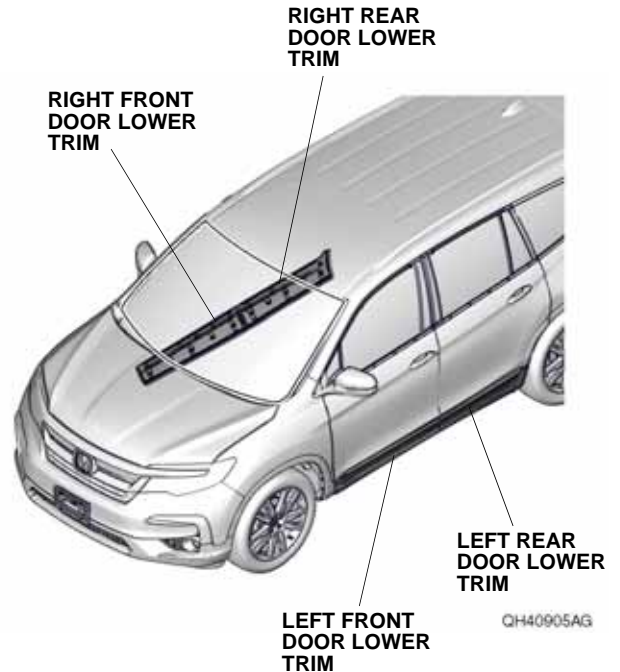
### TOOLS AND SUPPLIES REQUIRED

Phillips screwdriver

*The following tools are available through the Honda Tool and Equipment Program. On the iN, click on Service > Service Bay > Tool and Equipment Program, then enter the number under "Search." Or, call 888-424-6857.*

- Trim Tool Set (T/N SOJATP2014)
- Plastic Trim Tool (T/N SILTRIMTL10)

### Illustration of the Door Lower Trim on the Vehicle



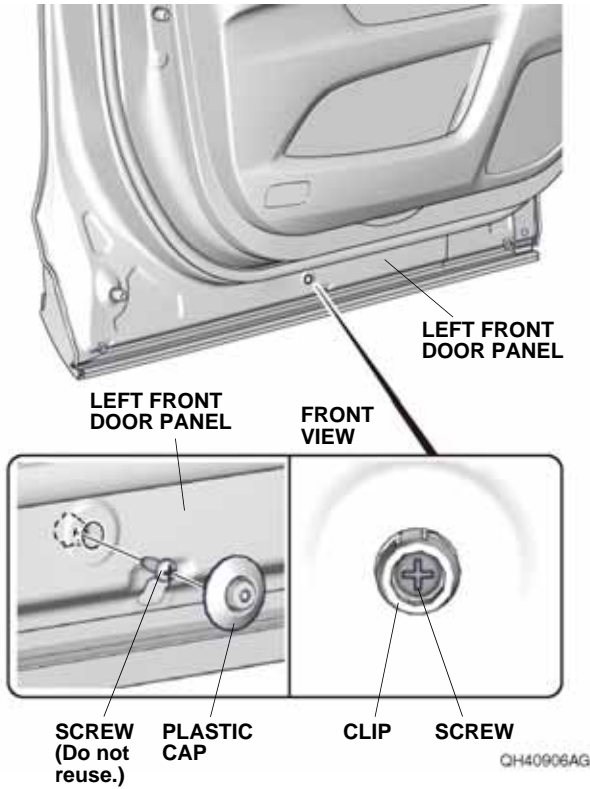
### INSTALLATION

**Customer Information:** The information in this installation instruction is intended for use only by skilled technicians who have the proper tools, equipment, and training to correctly and safely add equipment to your vehicle. These procedures should not be attempted by "do-it-yourselfers."

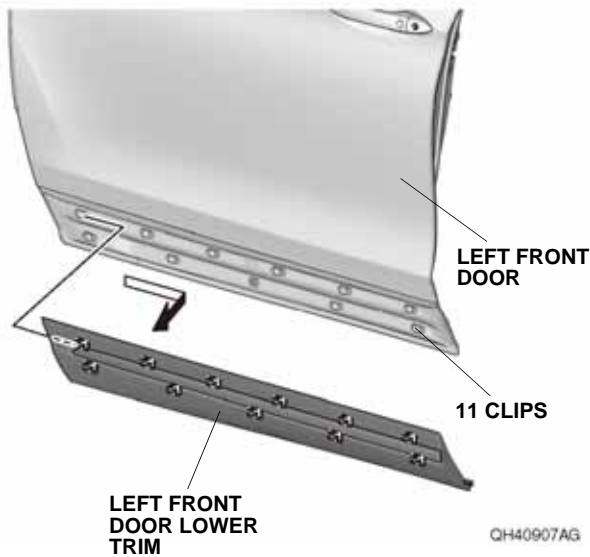
NOTE: Do not damage the body paint finish.

## Installing the Front Door Lower Trim

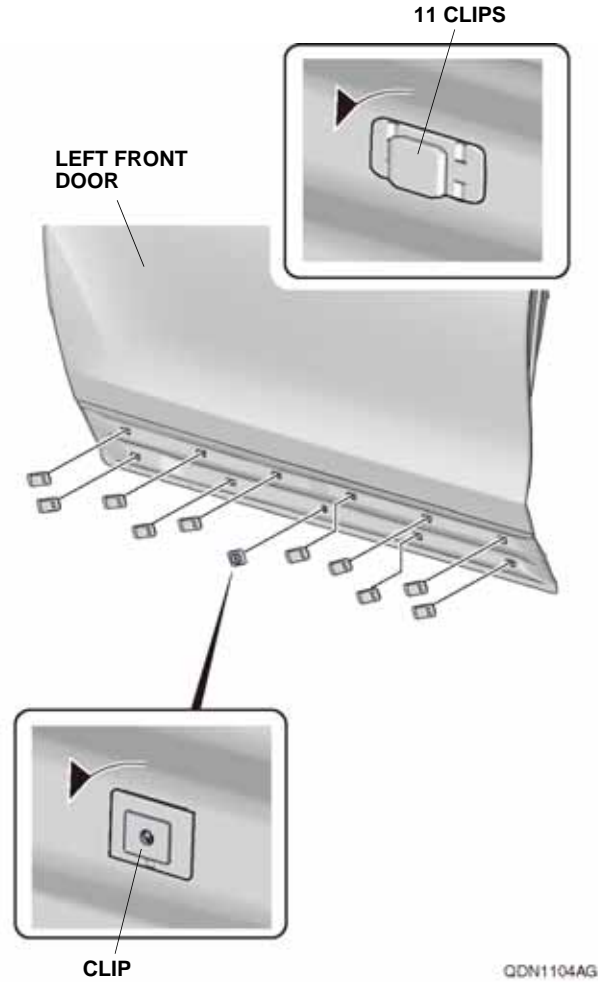
1. Open the left front door. Remove the plastic cap and one screw on the inside of left front door panel.



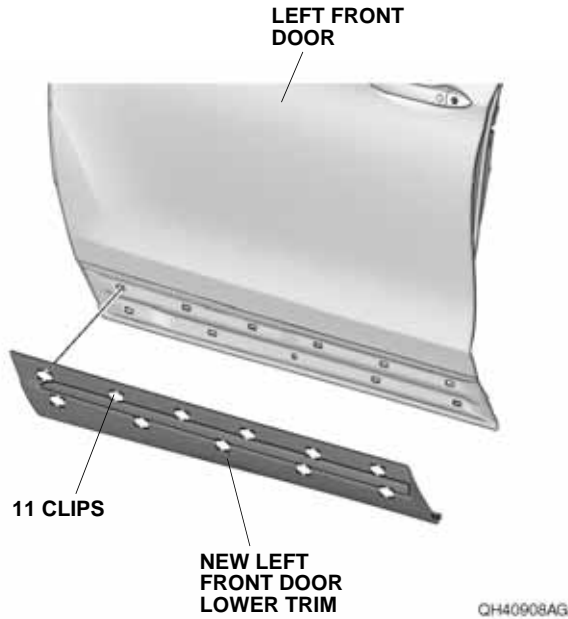
2. Slide the left front door lower trim back and out to remove it.



3. Remove the eleven clips from the door as shown.



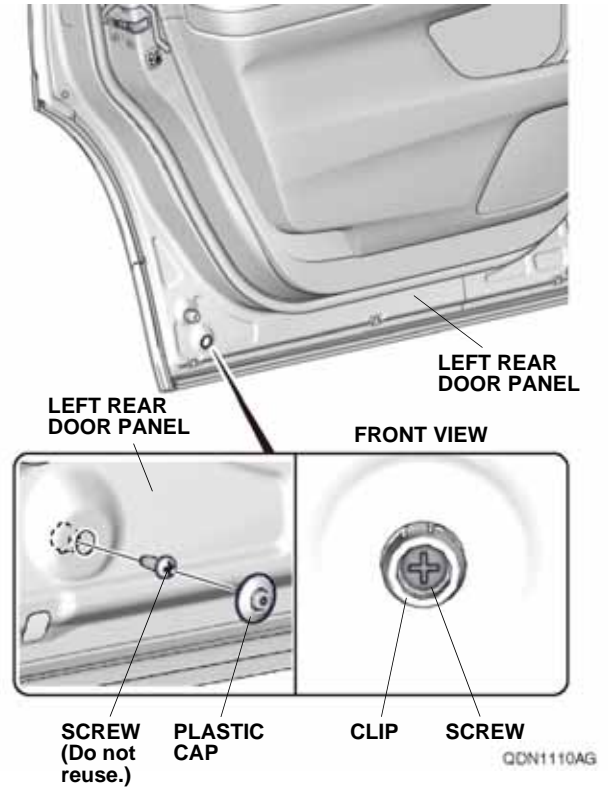
4. Install the new left front door lower trim.



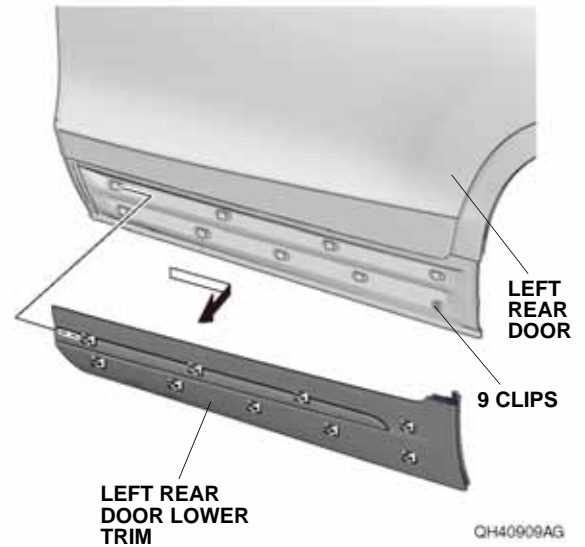
5. Install the plastic cap removed in step 1 to the left front door.
6. Repeat steps 1 through 5 on the right front door.

## Installing the Rear Door Lower Trims

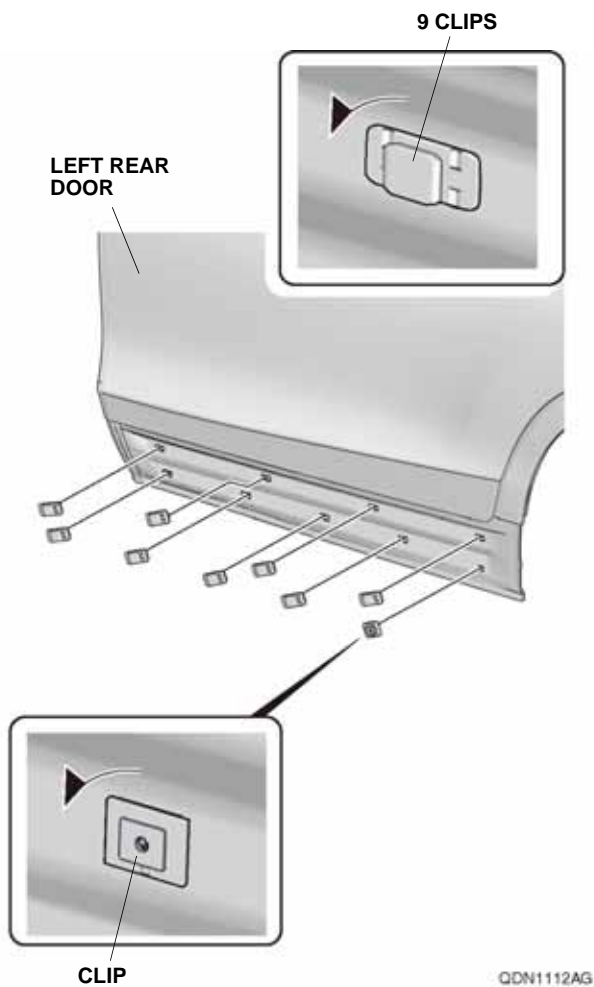
7. Open the left rear door. Remove the plastic cap and one screw on the inside of left rear door panel.



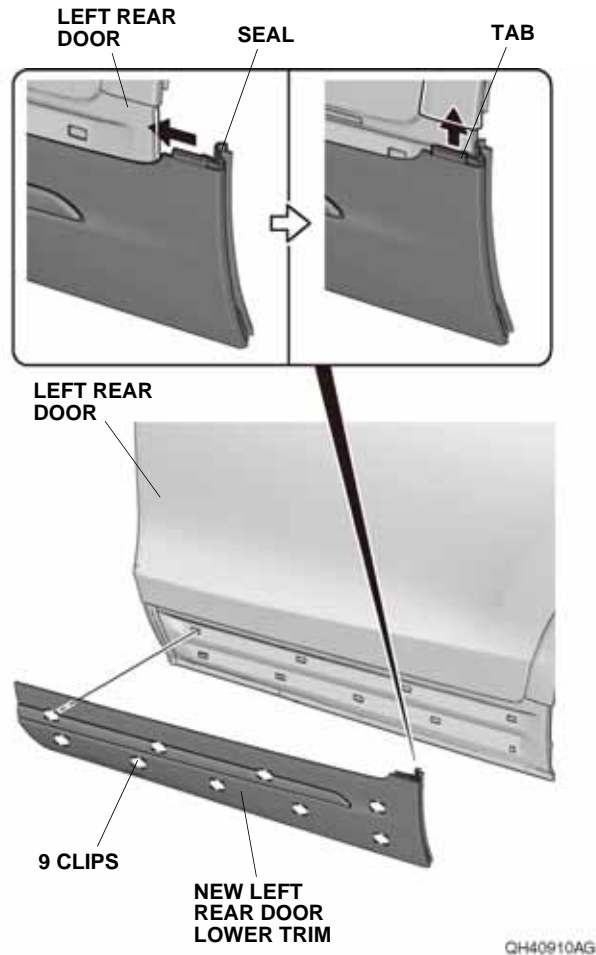
8. Slide the left rear door lower trim back and out to remove it.



9. Remove the nine clips from the left rear door as shown.



10. Install the new left rear door lower trim.



11. Install the plastic cap removed in step 7 to the left rear door.
12. Repeat steps 7 through 11 on the right rear door.