



## INSTALLATION INSTRUCTIONS

Accessory  
FRONT GRILLE

Application  
2019 PILOT

Publications No.  
**VERSION 2**  
Issue Date  
**NOV 2018**

### PARTS LIST

**Front Grille Kit**  
**P/N 08F21-TG7-100**

Front grille



H Emblem cover



**Front Upper Grille Kit**  
**P/N 71150-TG7-A60**

Front upper grille



### Illustration of the Front Grille on the Vehicle



FRONT GRILLE

CH40306AX

### TOOLS AND SUPPLIES REQUIRED

- Phillips screwdriver
- Flat-tip screwdriver
- Ratchet
- 10 mm Socket
- 10 mm Open end wrench
- Masking tape
- Blanket
- Shop towel

*The following tools are available through the Honda Tool and Equipment Program. On the iN, click on Service > Service Bay > Tool and Equipment Program, then enter the number under "Search." Or, call 888-424-6857.*

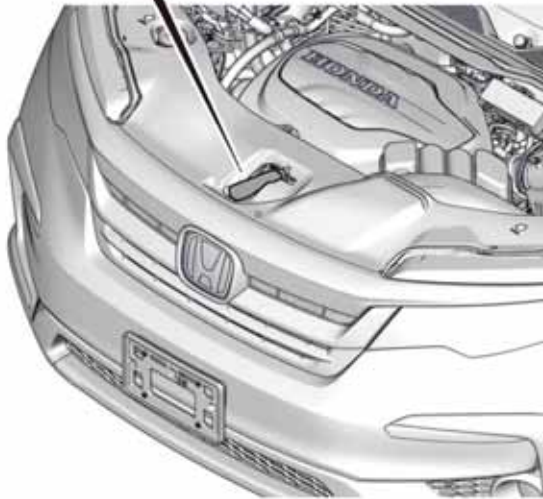
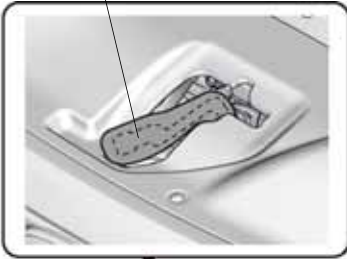
- Trim Tool Set (T/N SOJATP2014)
- Plastic Trim Tool (T/N SILTRIMTL10)

## INSTALLATION

**Customer Information:** The information in this installation instruction is intended for use only by skilled technicians who have the proper tools, equipment, and training to correctly and safely add equipment to your vehicle. These procedures should not be attempted by “do-it-yourselfers.”

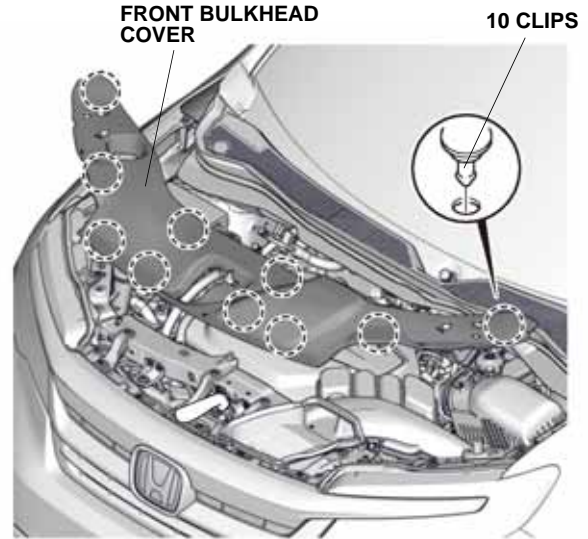
1. Disconnect the negative cable from the battery:
  - Wrap a shop towel around the hood latch.

**HOOD LATCH**  
(Wrap with a shop towel.)



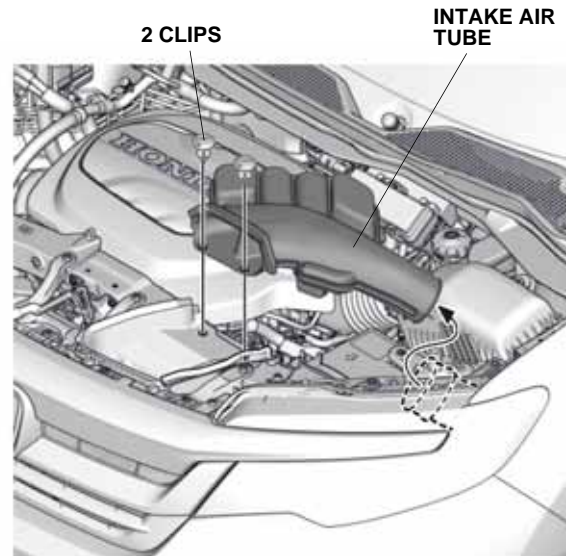
QH21201AB

- Remove the front bulkhead cover.



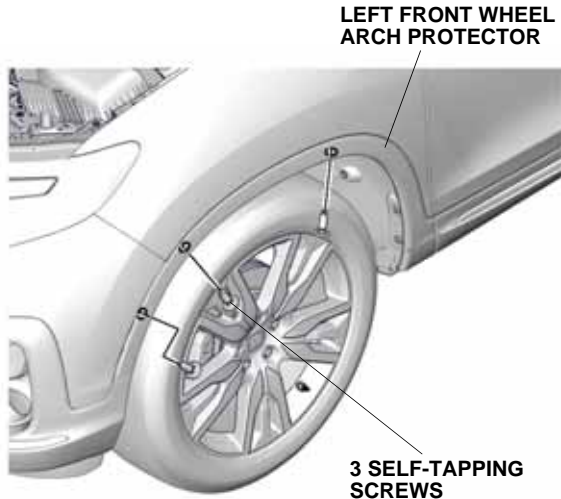
QH21202AB

- Remove the intake air tube.
- Disconnect the negative cable from the battery.



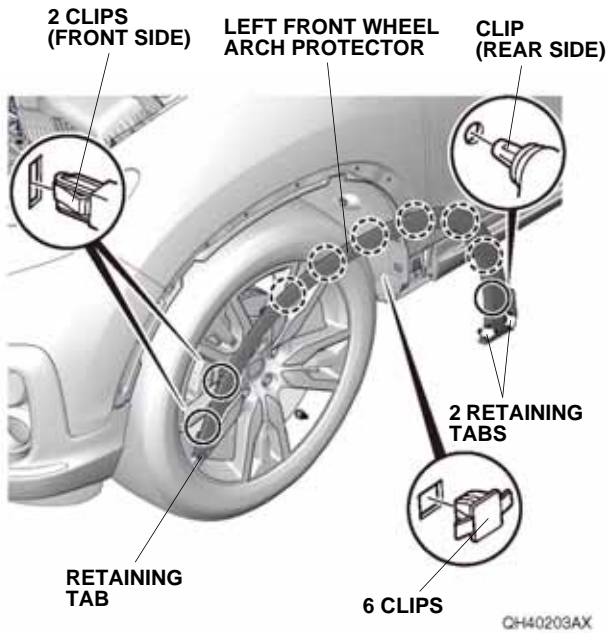
QH21203AB

2. Remove the three self-tapping screws.



QH40202AX

3. Remove the left front wheel arch protector.

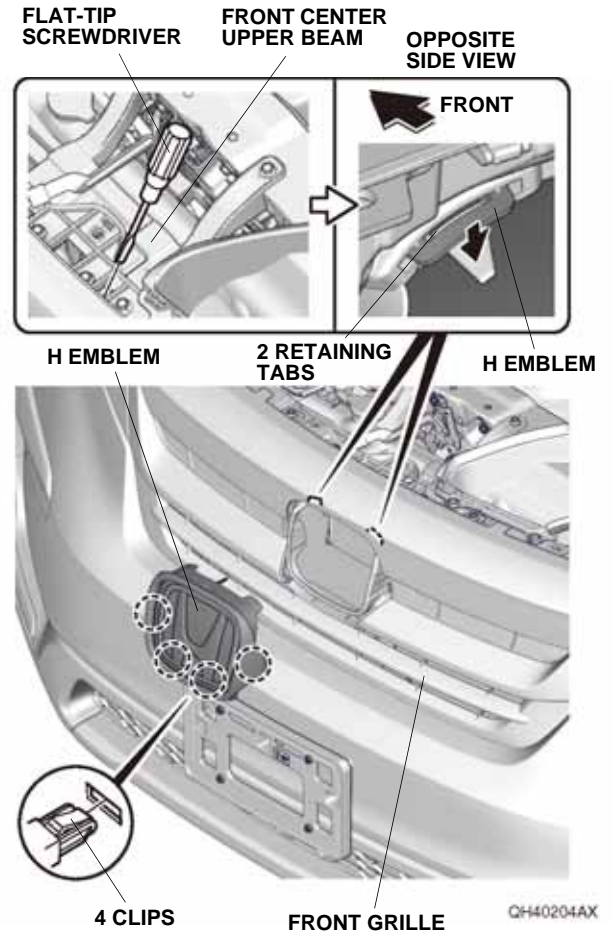


QH40203AX

4. Repeat steps 2 and 3 on the right side of the vehicle.

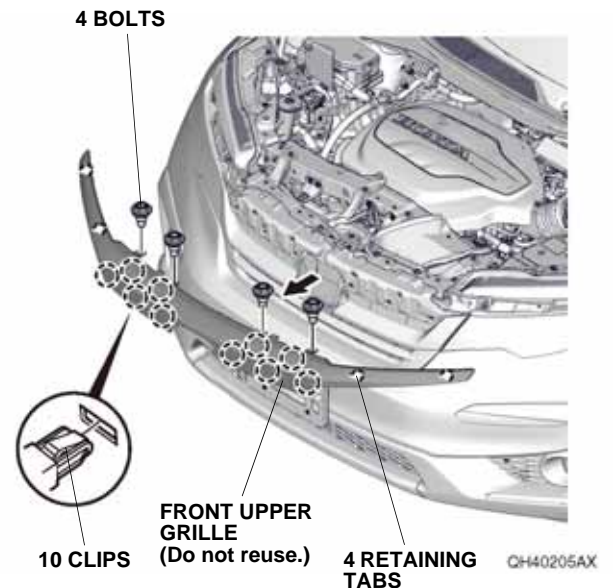
5. Remove the front bumper:

- Using a flat-tip screwdriver, remove the H emblem.



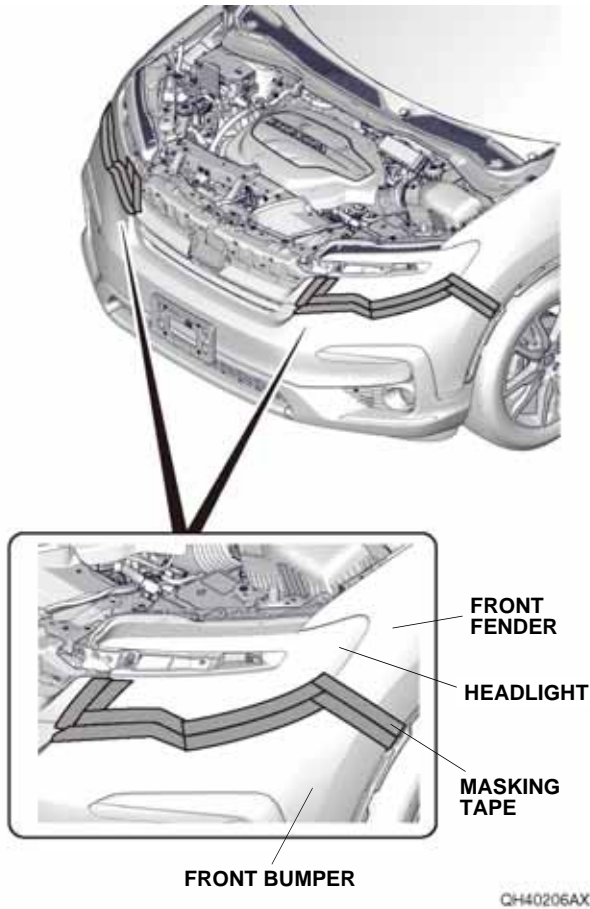
QH40204AX

- Remove the front upper grille.

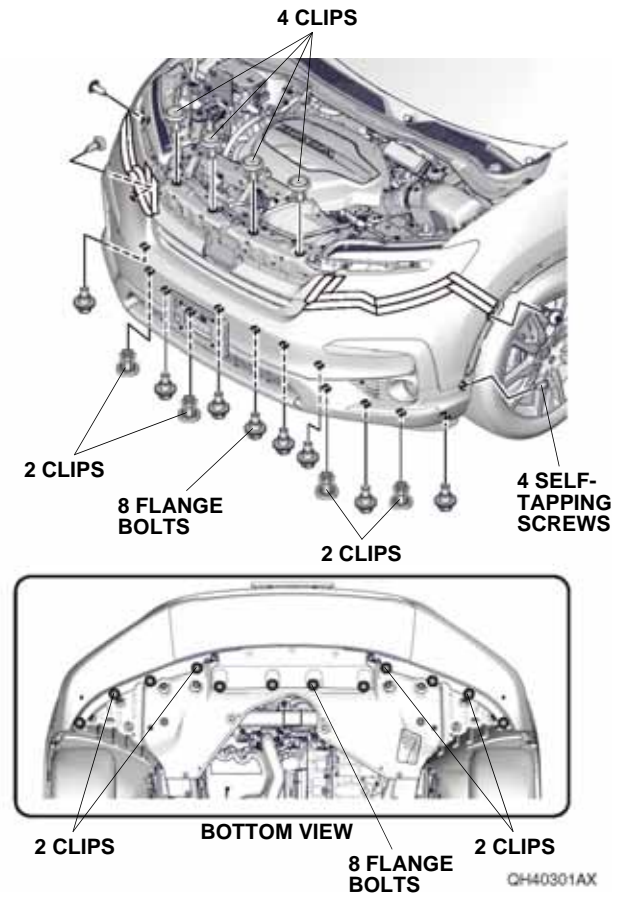


QH40205AX

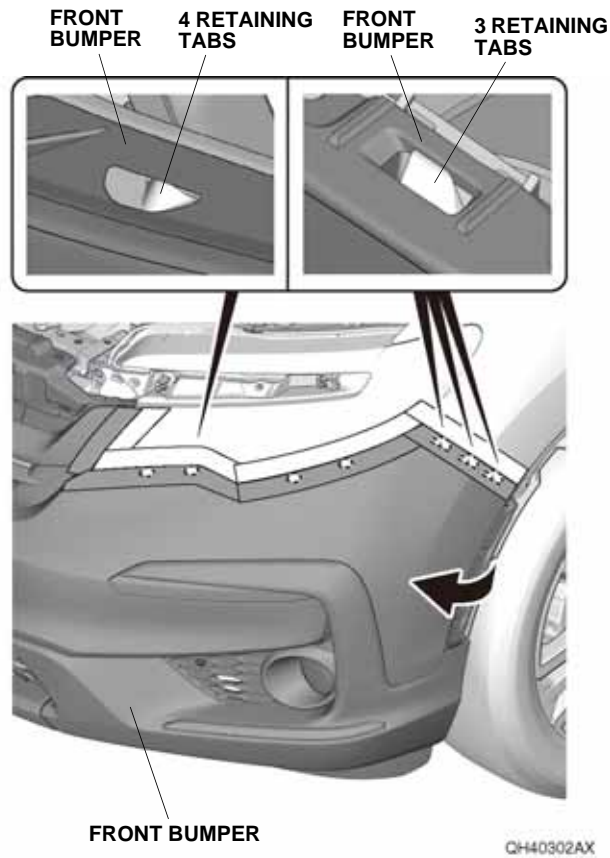
- Apply masking tape as shown.



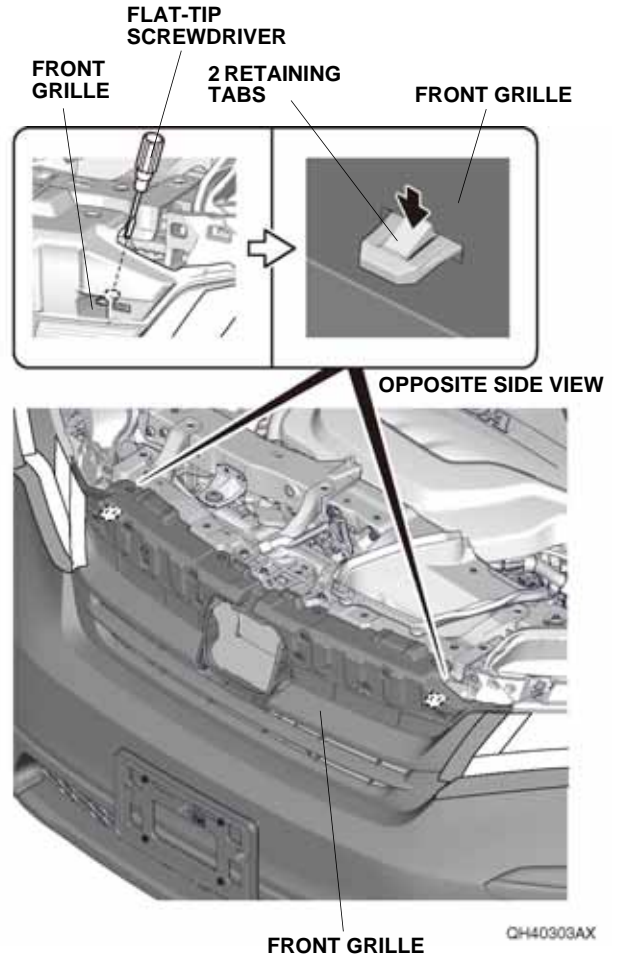
- Remove the four self-tapping screws, eight clips, and eight flange bolts.



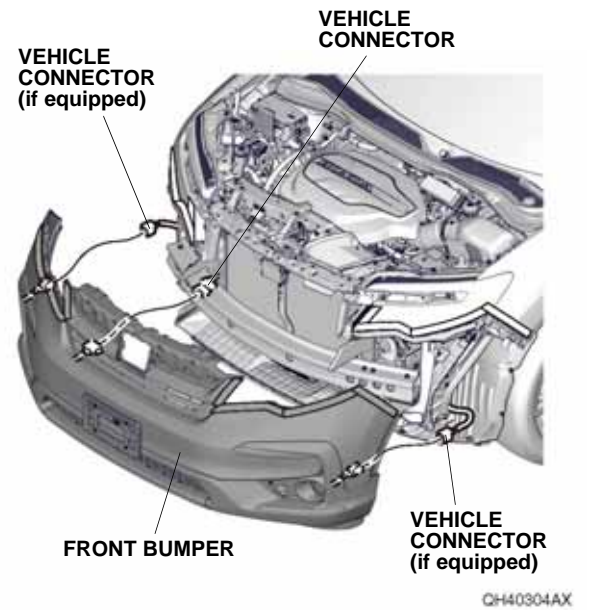
- With the help of an assistant, release the seven retaining tabs on each side.



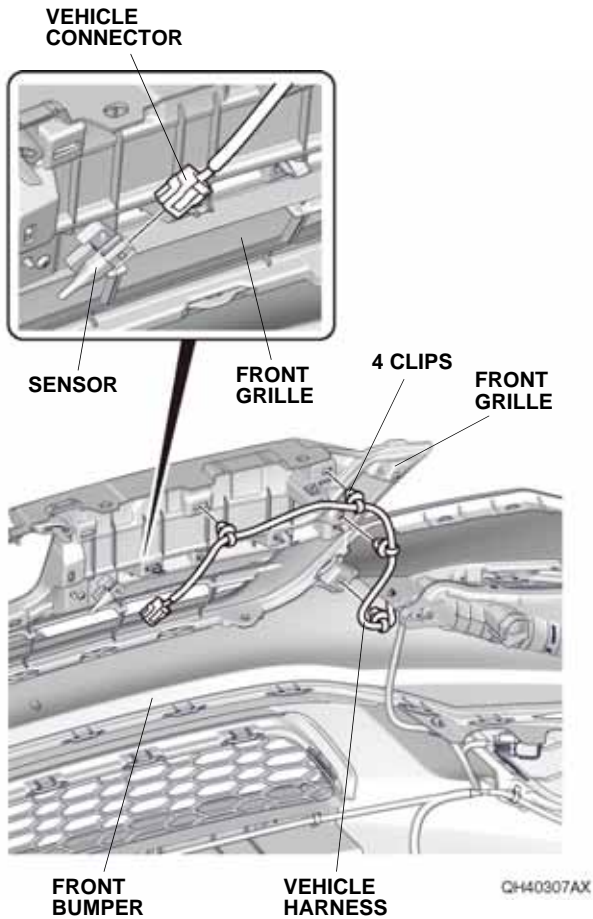
- Release the front grille.



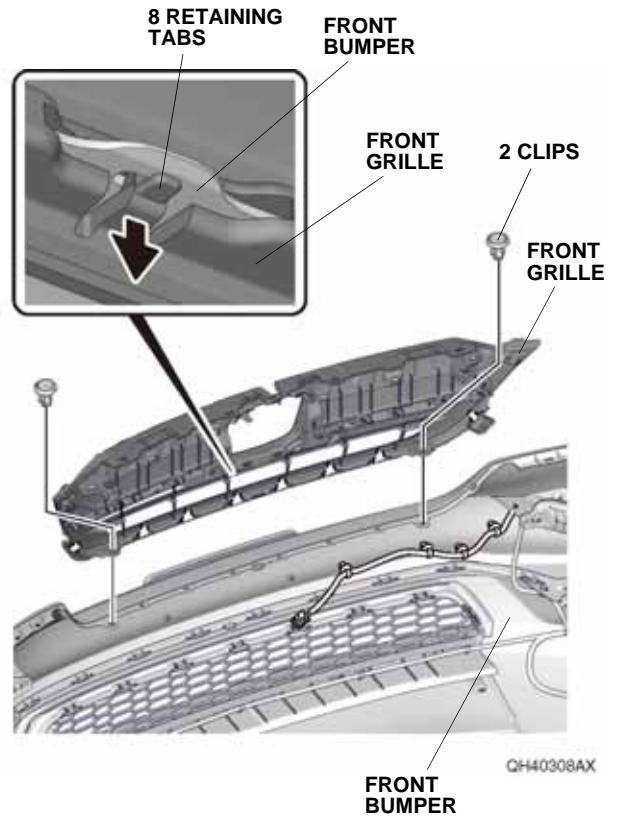
- With the help of an assistant, remove the front bumper, and unplug the vehicle connectors.
- Place the front bumper on a blanket.



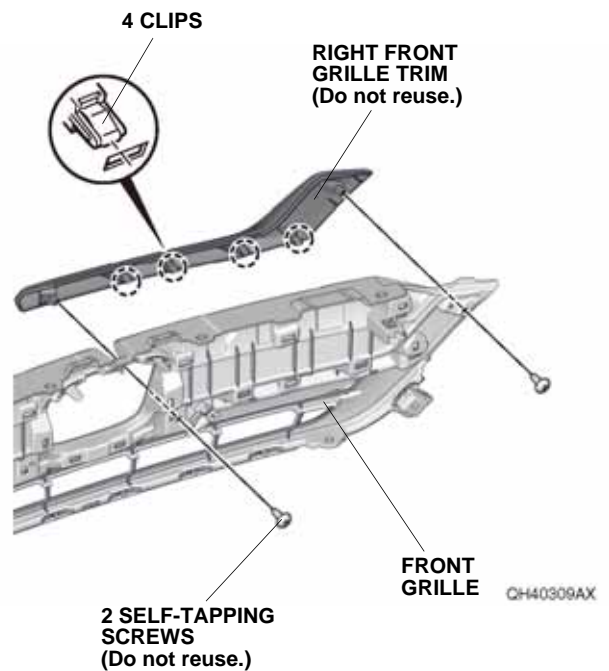
6. Release the vehicle harness from the front grille.



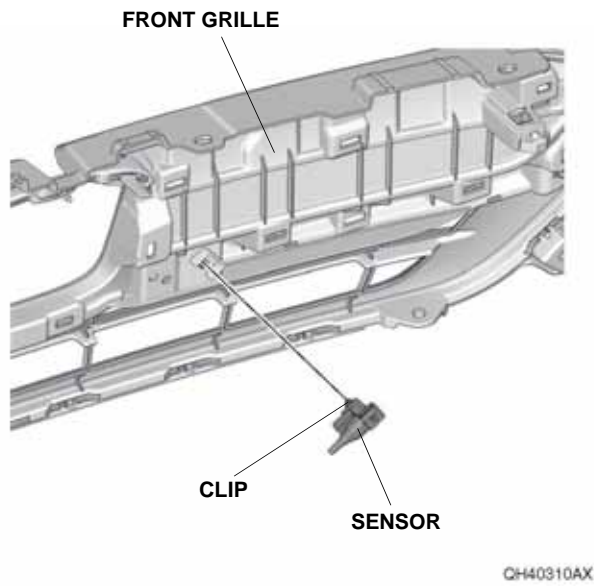
7. Remove the front grille from the front bumper.



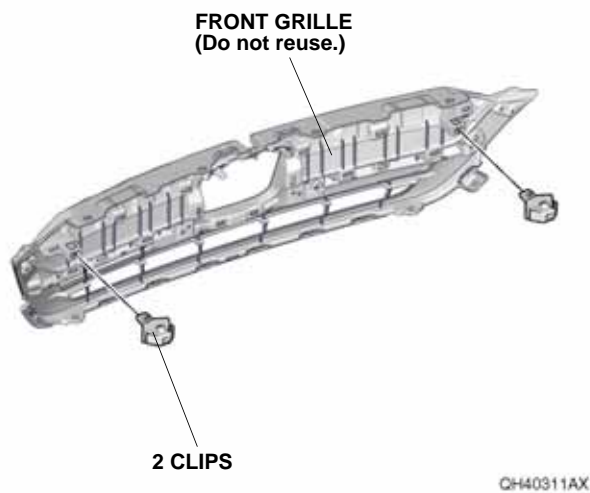
8. Remove the right front grille trim from the front grille.



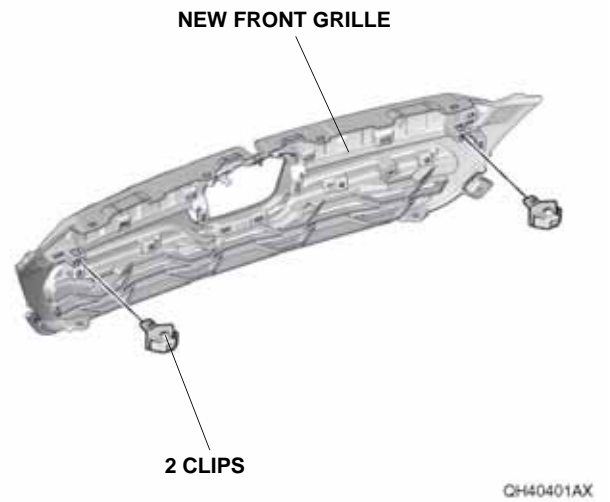
9. Remove the sensor from the front grille.  
NOTE: Be careful not to damage the sensor clip.



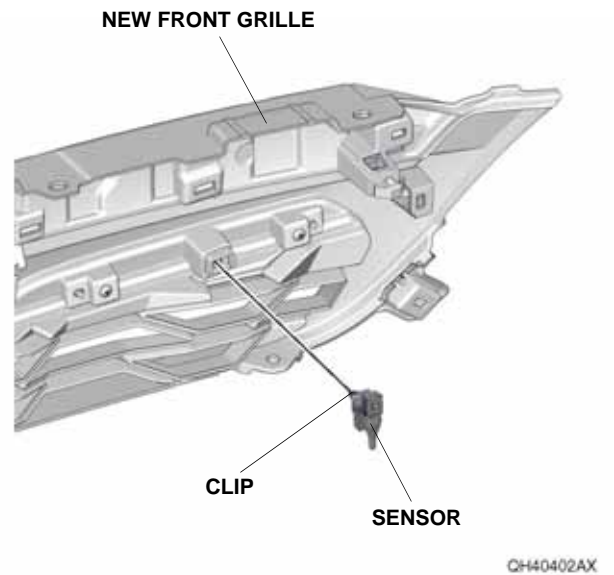
10. Remove the two clips from the front grille.



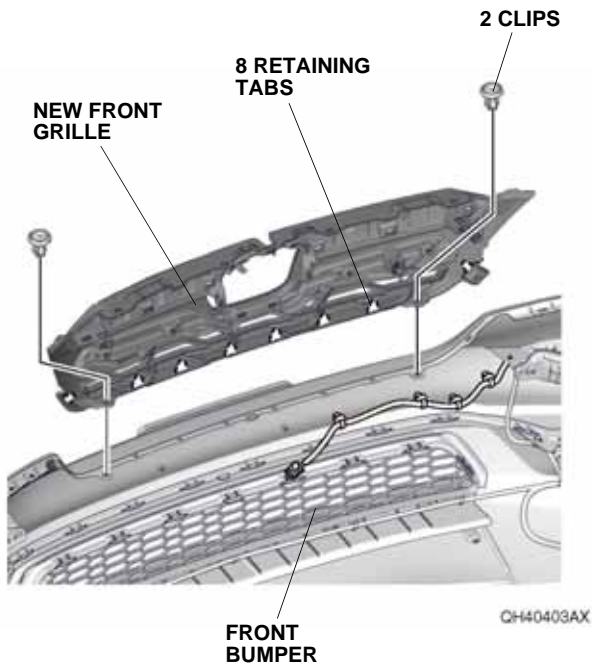
11. Install the two clips to the new front grille.



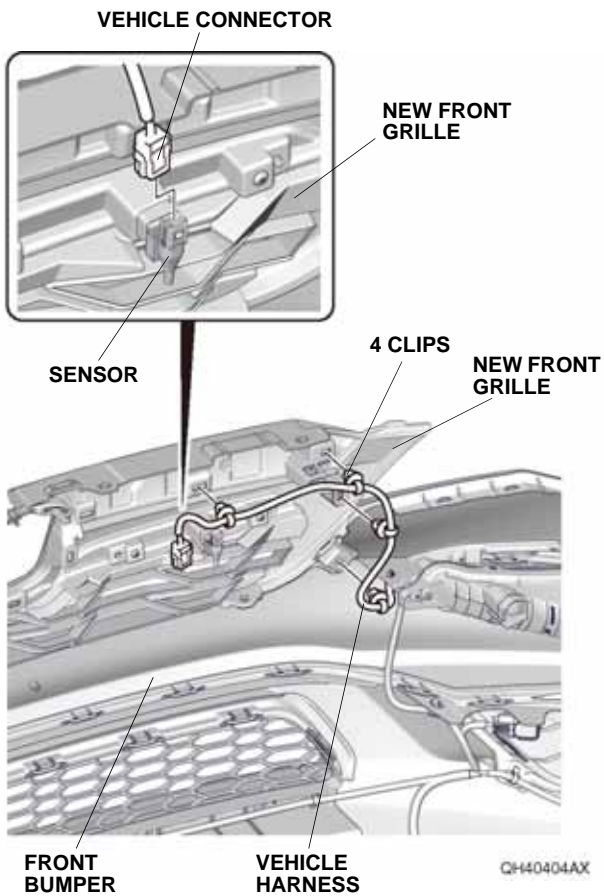
12. Install the sensor to the new front grille with one clip.



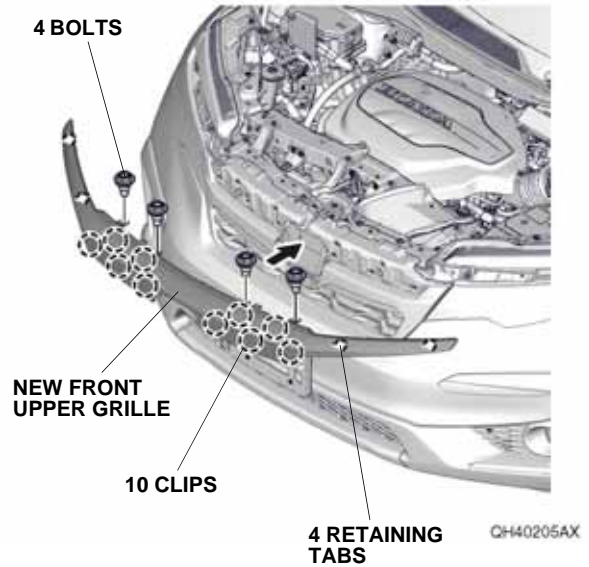
13. Install the new front grille to the front bumper with the eight retaining tabs and two clips.



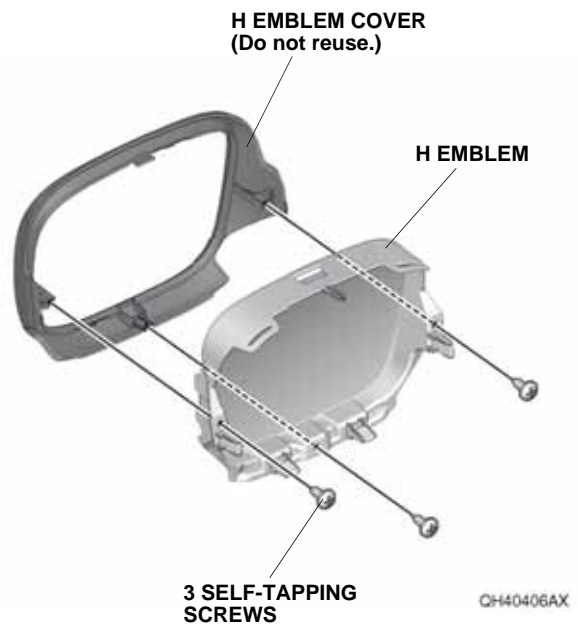
14. Secure the vehicle harness to the new front grille with four clips. Plug the vehicle connector into the sensor.



15. Install the front bumper. Install the new front upper grille to the front bumper with 10 clips, four retaining tabs, and four bolts.



16. Remove the H emblem cover from the H emblem.

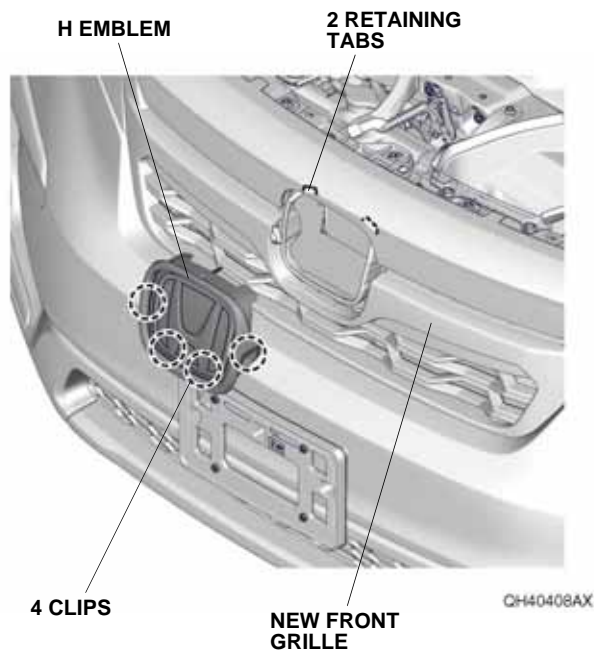




17. Install the new H emblem cover to the H emblem with three self-tapping screws.



18. Install the H emblem to the new front grille with four clips and two retaining tabs.



19. Check that all wire harnesses are routed properly and all connectors are plugged in.
20. Install all removed parts except for the front bulkhead cover and the intake air tube.
21. Connect the negative cable to the battery.
22. Install the front bulkhead cover and the intake air tube.
23. Press and hold the audio unit power button for 2 seconds to restore the audio and navi (if equipped) system functions.
24. Set the clock on vehicles without navigation.
25. If necessary, restore the systems back to normal operation as described in the service information.