



## INSTALLATION INSTRUCTIONS

Accessory  
**DOOR VISORS**

Application  
**2019 PILOT**

Publications No.  
**VERSION 1**  
Issue Date  
**JUN 2018**

### PARTS LIST

Door Visors Kit  
P/N 08R04-TG7-101  
P/N 08R04-TG7-100A

Left front door visor



Right front door visor



Left rear door visor



Right rear door visor



8 Brackets A



2 Brackets B



4 Alcohol wipes



10 Clips



### TOOLS AND SUPPLIES REQUIRED

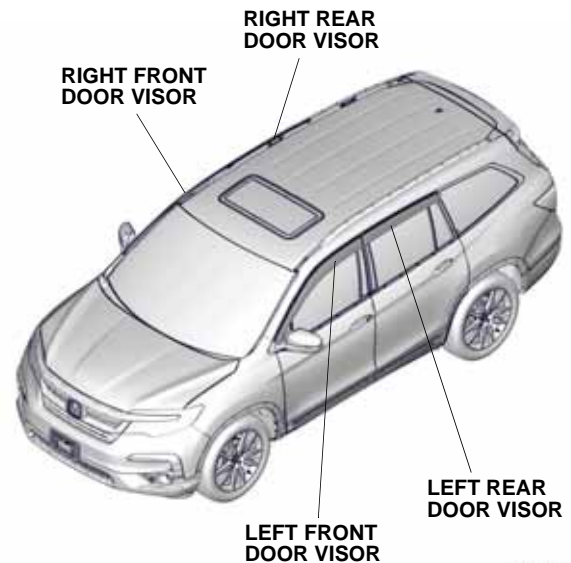
Masking tape

Ruler

*The following tool is available through the Honda Tool and Equipment Program. On the iN, click on Service > Service Bay > Tool and Equipment Program, then enter the number under "Search." Or, call 888-424-6857.*

Rubber Roller (T/N MHLE54D)

### Illustration of the Door Visors on the Vehicle



QH41102AC

## INSTALLATION

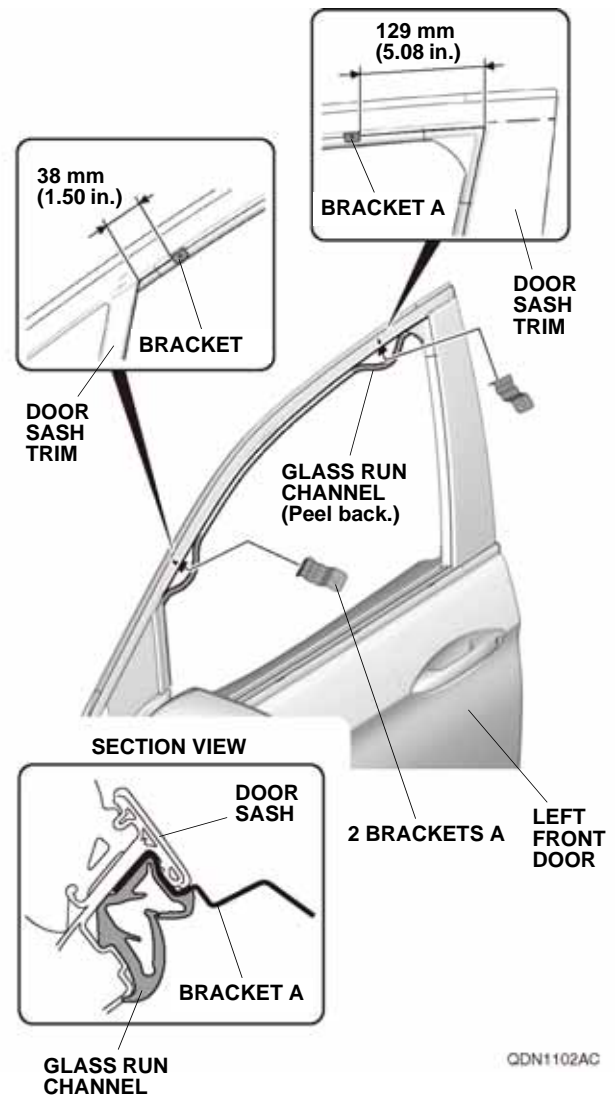
**Customer Information:** The information in this installation instruction is intended for use only by skilled technicians who have the proper tools, equipment, and training to correctly and safely add equipment to your vehicle. These procedures should not be attempted by “do-it-yourselfers.”

### NOTE:

- Be careful not to damage the body paint finish and glass run channels when installing the door visors.
- Handle the door visors with care. They are not designed to absorb shock or impact.
- This kit should be installed only if the ambient air temperature is 60°F (15°C) or above.
- To allow the adhesive to cure, do not wash the vehicle for 24 hours. Make sure the customer is aware of this.

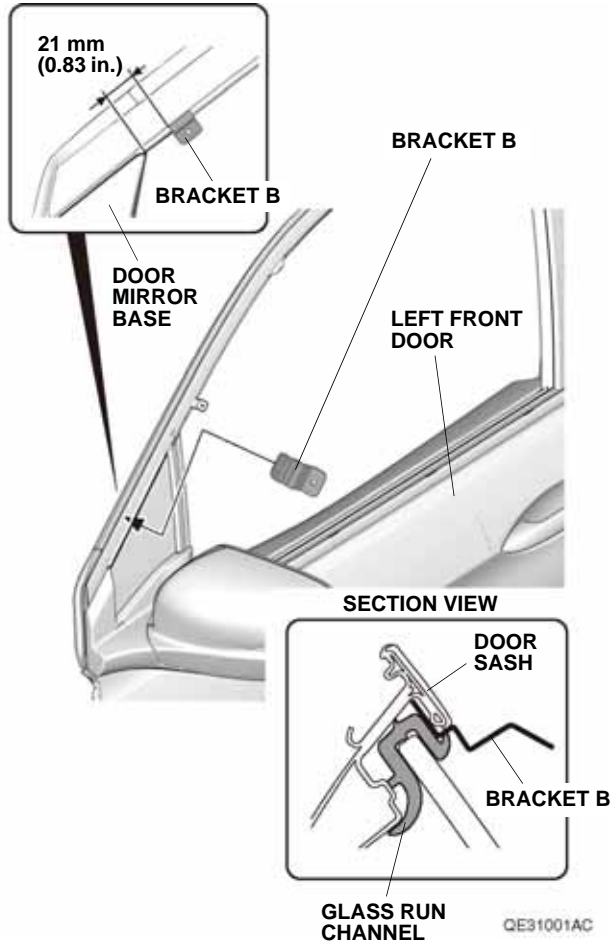
### Installing the Front Door Visor

1. Fully open the left front door glass.



2. Peel back the glass run channel as shown.
  3. Install the two brackets A between the door sash and the glass run channel as shown. Seat the glass run channel properly around the brackets.
- NOTE:** Confirm the two brackets A are installed on the door sash as shown. Check that the glass run channel is seated properly.

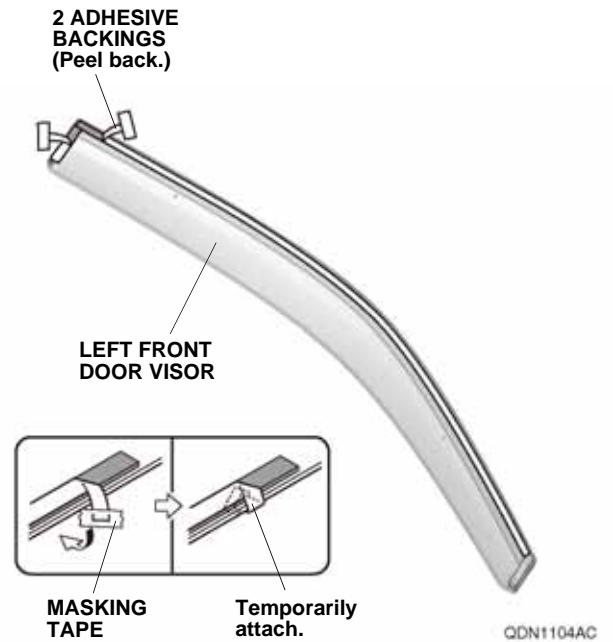
4. Insert one bracket B to the door sash as shown.



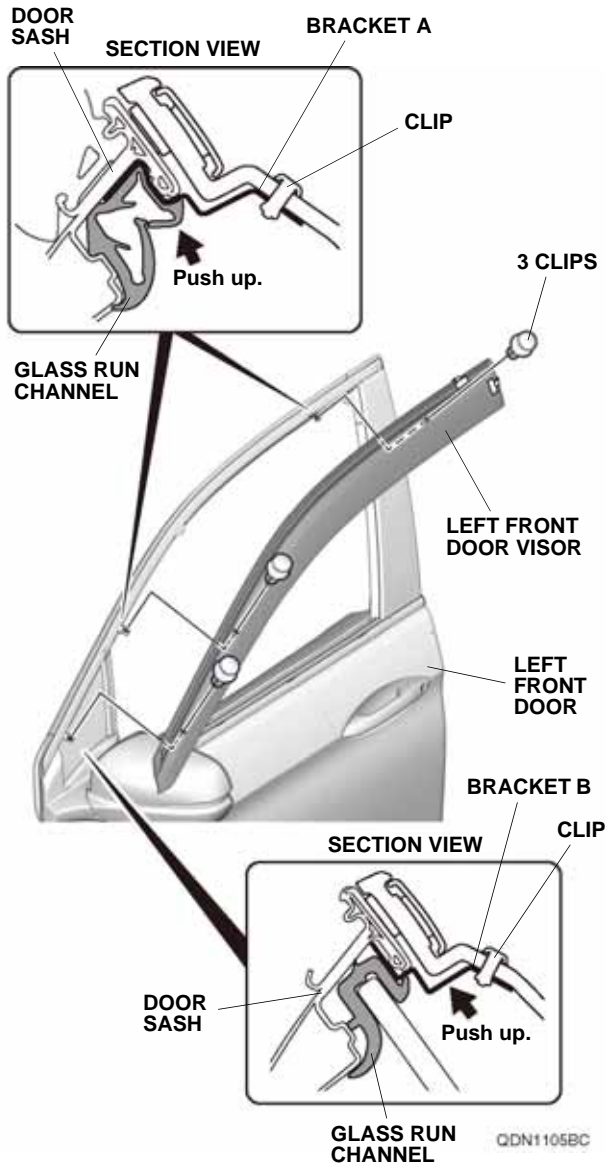
5. Use an alcohol wipe to thoroughly clean the left front door where the left front door visor will attach.



6. Peel back the adhesive backings, and tape them to the front surface of the left front door visor with masking tape.

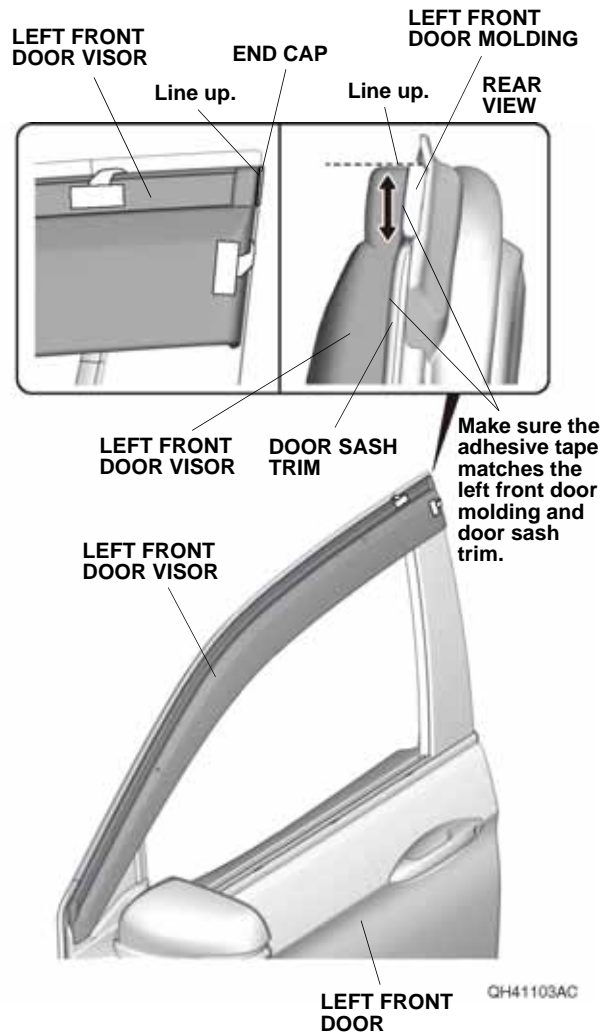


7. Adjust the two brackets A and one bracket B so the holes line up with the three holes on the left front door visor.

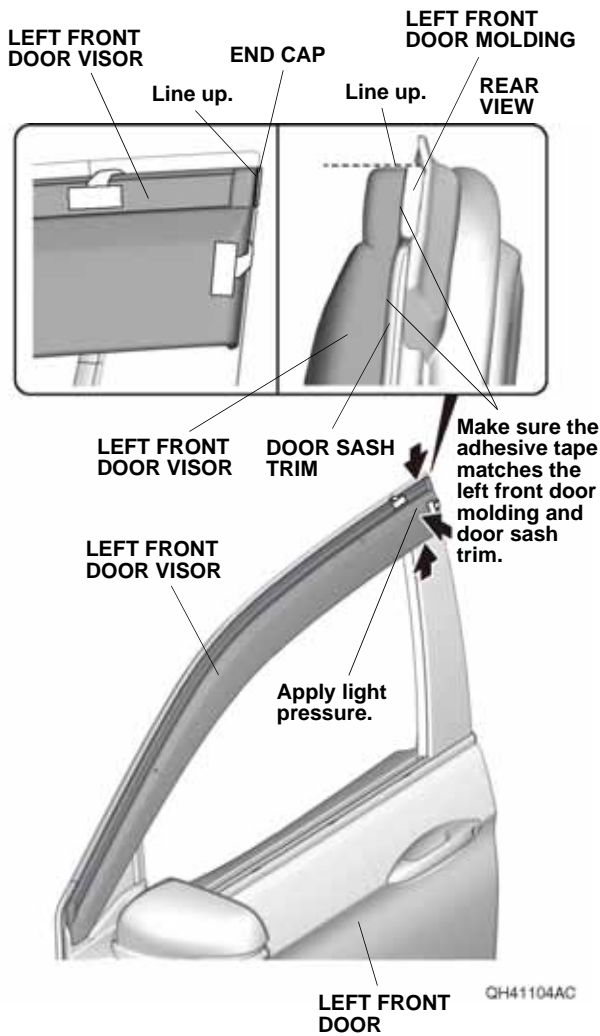


8. Using the three clips, secure the left front door visor to the two brackets A and one bracket B as shown. Make sure to push up on the two brackets A and one bracket B while installing three clips.  
NOTE: Be extremely careful when installing the clips; they cannot be reinstalled after installation.

9. Open the left front door. Line up the left front door visor as shown.  
NOTE: Make sure the adhesive tape matches the left front door on top and bottom. Adjust the height slightly if necessary.

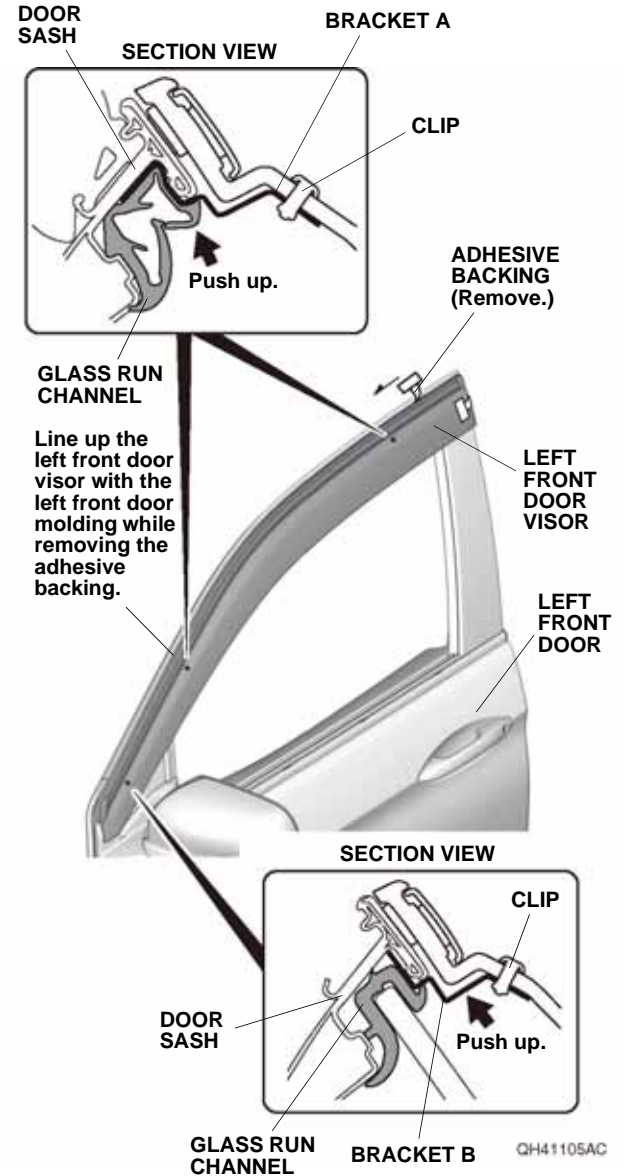


10. While lining up the left front door visor, apply light pressure against the left front door visor as shown.



11. While applying light pressure against the left front door visor, carefully remove the taped adhesive backing as shown. Make sure to push up on the two brackets A and one bracket B while removing the adhesive backing.

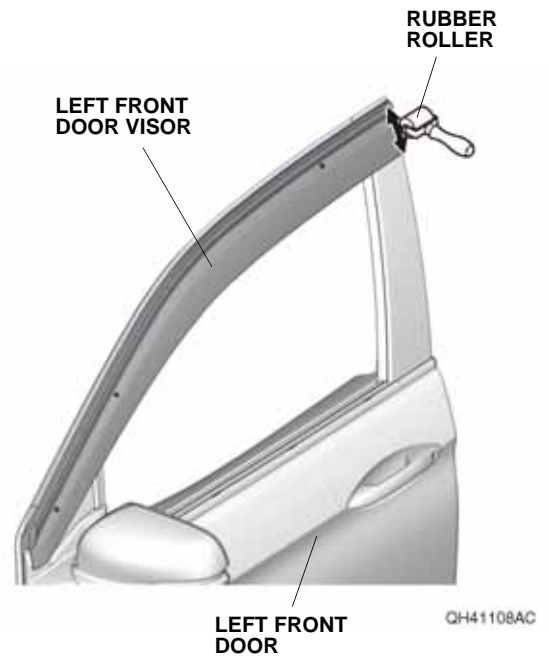
NOTE: While removing the long top piece of adhesive backing, make sure that left front door visor is positioned so that the top edge of vehicle chrome is hidden by left front door visor.



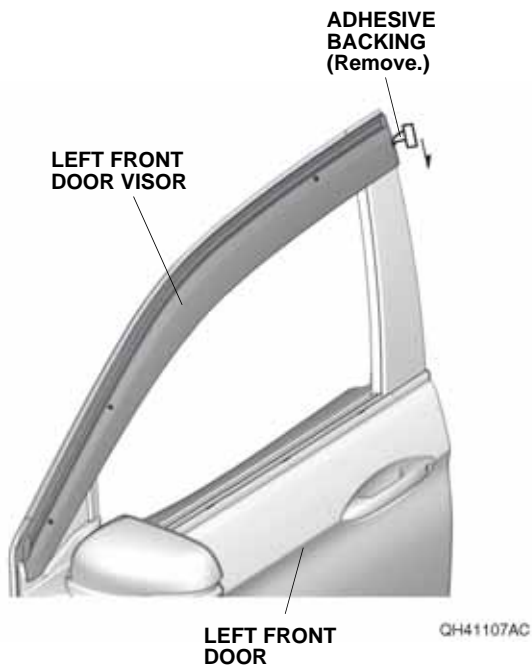
12. Using a rubber roller, apply firm pressure against the left front door visor and roll from one end to the other.  
NOTE: Apply firm pressure, especially at the ends.



14. Using a rubber roller, apply firm pressure against the left front door visor and roll from one end to the other.  
NOTE: Apply firm pressure, especially at the ends.



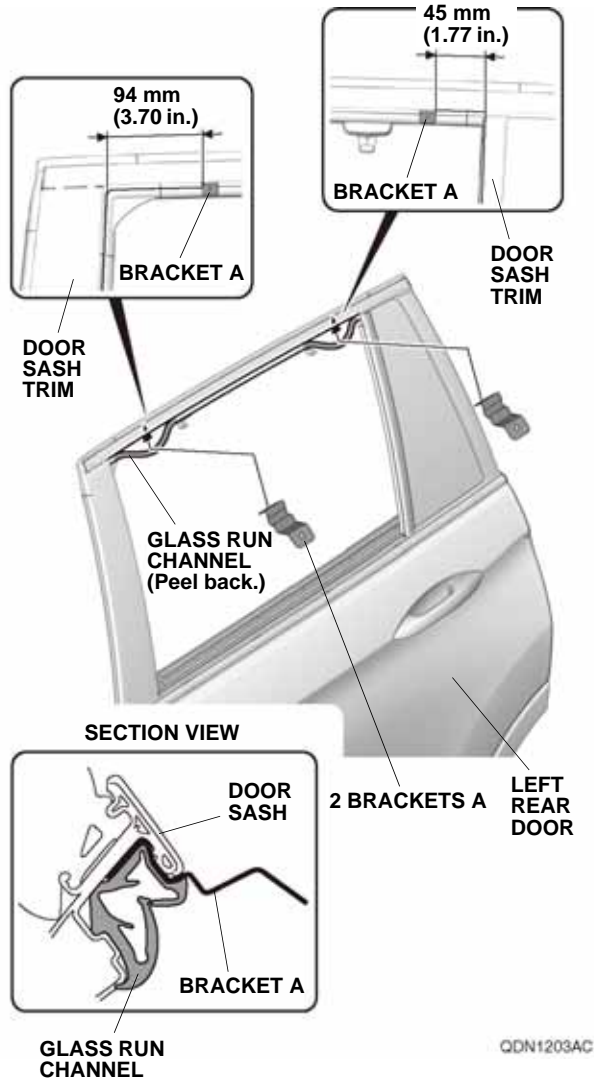
13. While applying light pressure against the left front door visor, carefully remove the taped adhesive backing.



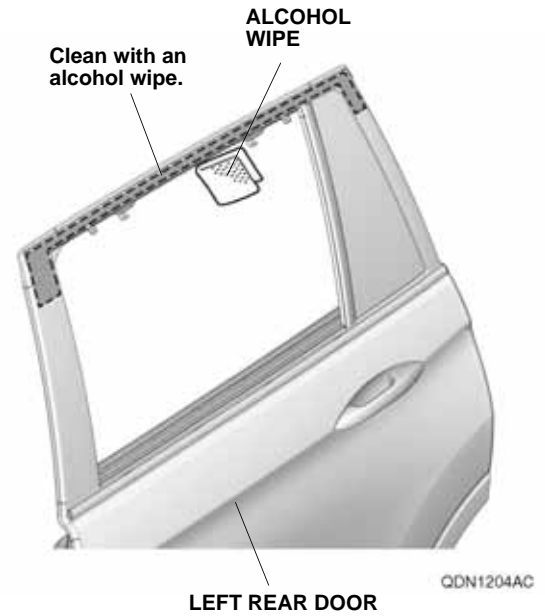
## Installing the Rear Door Visor



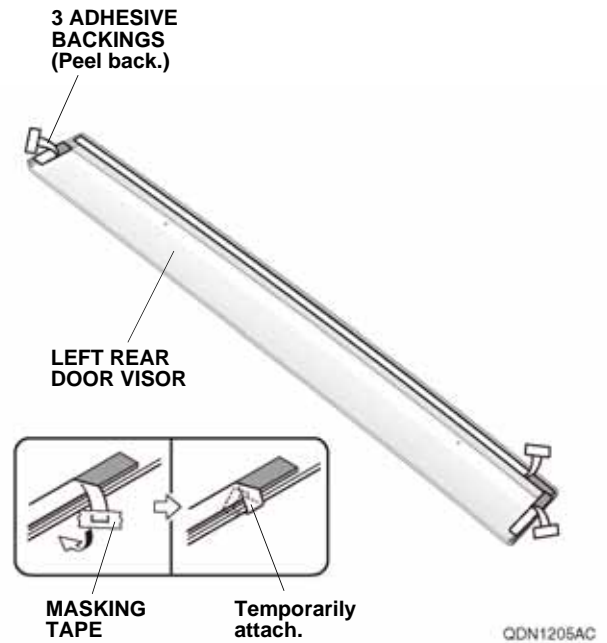
15. Fully open the left rear door glass.



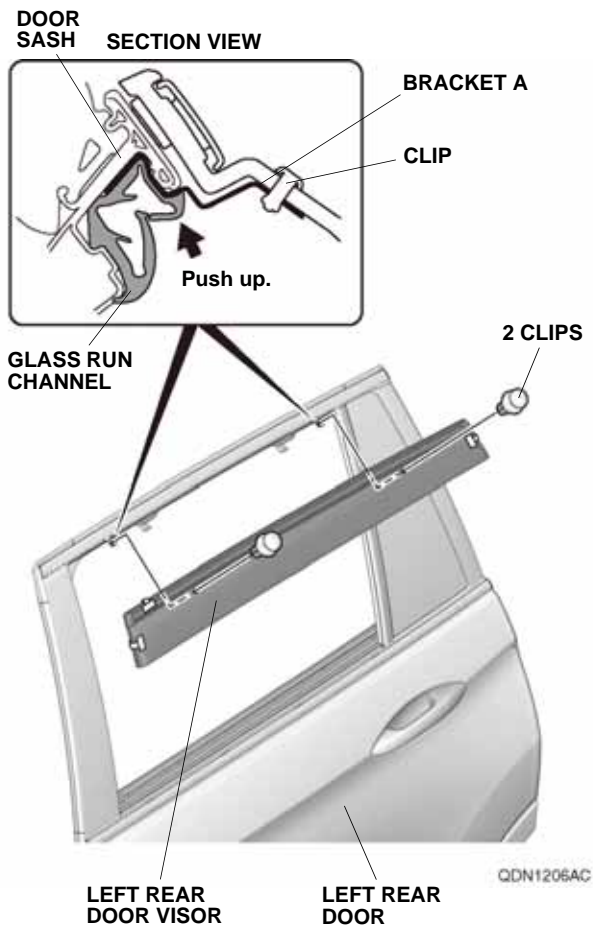
16. Peel back the glass run channel as shown.
17. Install the two brackets A between the door sash and the glass run channel as shown. Seat the glass run channel properly around the brackets.
- NOTE: Confirm the two brackets A are installed on the door sash as shown. Check that the glass run channel is seated properly.
18. Use an alcohol wipe to thoroughly clean the left rear door where the left rear door visor will attach.



19. Peel back the adhesive backings, and tape them to the front surface of the left rear door visor with masking tape.



20. Adjust the two brackets A so the holes line up with the two holes on the left rear door visor.



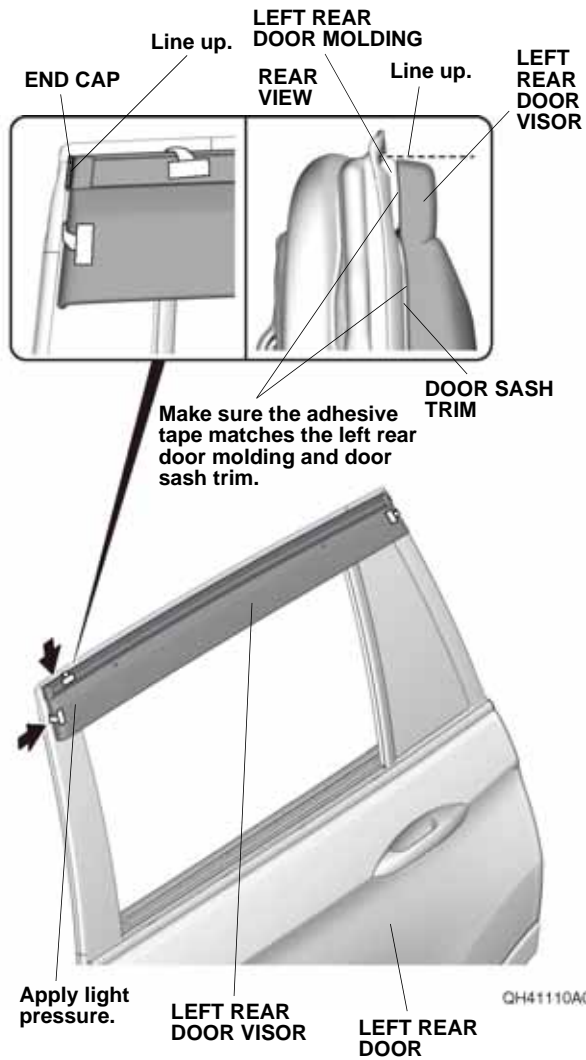
NOTE: Make sure the adhesive tape matches the left front door on top and bottom. Adjust the height slightly if necessary.



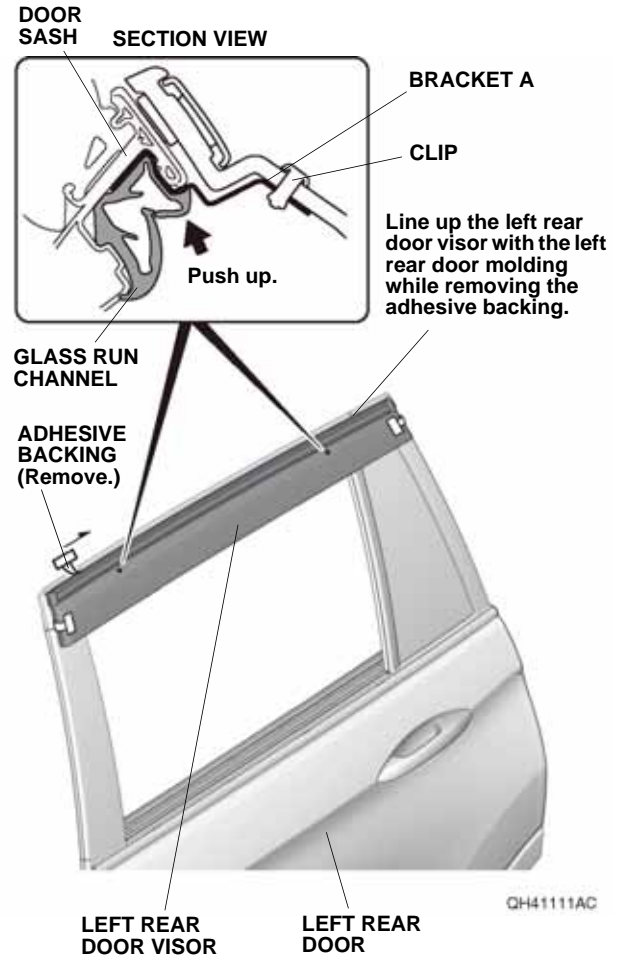
21. Using the two clips, secure the left rear door visor to the two brackets A as shown. Make sure to push up on the two brackets A while installing the two clips. NOTE: Be extremely careful when installing the clips; they cannot be reinstalled after installation.
22. Open the left front door. Line up the left rear door visor as shown.



23. While lining up the left rear door visor with the left rear door, apply light pressure against the left rear door visor as shown.



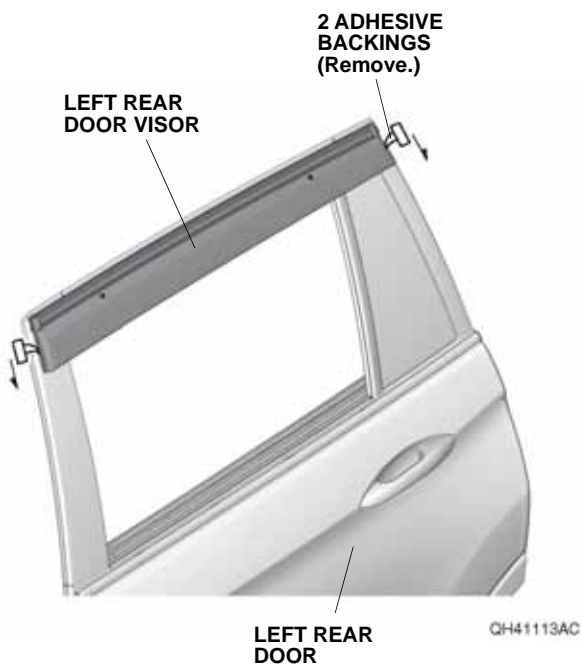
24. While applying light pressure against the left rear door visor, carefully remove the taped adhesive backing as shown. Make sure to push up on the two brackets A while removing the adhesive backing. NOTE: While removing the long top piece of adhesive backing, make sure that left rear door visor is positioned so that the top edge of vehicle chrome is hidden by left rear door visor.



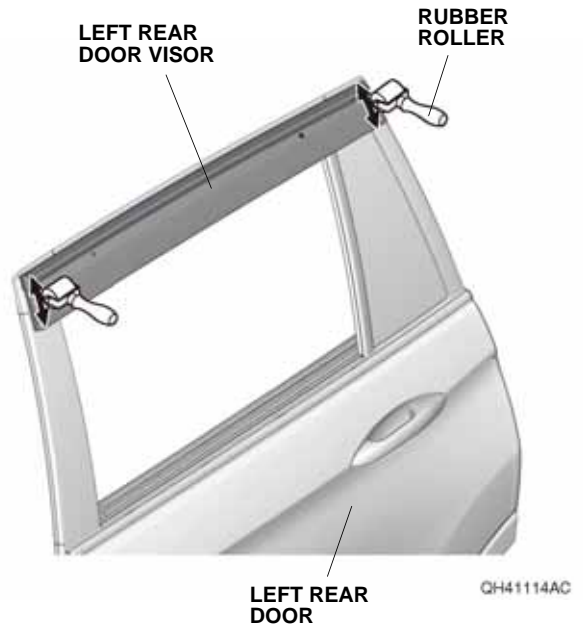
25. Using a rubber roller, apply firm pressure against the left rear door visor and roll from one end to the other.  
NOTE: Apply firm pressure, especially at the ends.



26. While applying light pressure against the left rear door visor, carefully remove the taped adhesive backings.



27. Using a rubber roller, apply firm pressure against the left rear door visor and roll from one end to the other.  
NOTE: Apply firm pressure, especially at the ends.



28. Repeat steps 1 through 27 on the right side of the vehicle.

## CONFIRMATION AFTER INSTALLATION

### RESTORATION OPERATIONS

1. Start the engine.
2. Using the power window switch, repeat opening and closing the window from half-open to fully closed 10 times to allow the glass run channel to wear in. (The window should not bind.)
3. If necessary, refer to the service information, to reset the power windows. (If the automatic closing/opening does not function after the reset, reset again.)
4. If necessary, refer to the service information, to perform the power window "learning" procedure. (If the automatic closing/opening does not function after the learning, carry out "learning" again.)

NOTE: The operations in the steps 3 and 4 should be done to all power windows having the auto up/down feature to allow for proper functioning of the auto-reverse function after installing the door visors.

Give a copy of this page to your customer.

## USE AND CARE

- When the door visor is dirty, clean it with a soft, dampened cloth (water only).
- When the door visor is very dirty, clean the door visors with mild detergent and water. Do not use organic solvents (thinners, benzine, alcohol, etc.) or cleaners containing any abrasive material.