



## INSTALLATION INSTRUCTIONS

Accessory  
DOOR HANDLE FILMS  
P/N 08P48-TG7-100C

Application  
2019 PILOT

Publications No.  
**VERSION 1**  
Issue Date  
**JUN 2018**

### PARTS LIST

Left front door handle film  
(Identification mark: FR-L)



Right front door handle film  
(Identification mark: FR-R)



Left rear door handle film  
(Identification mark: RR-L)



Right rear door handle film  
(Identification mark: RR-R)



4 Alcohol wipes



### TOOLS AND SUPPLIES REQUIRED

Shop towel

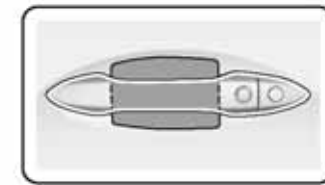
Spray bottle

3M Protective tape application solution

*The following tool is available through the Honda Tool and Equipment Program. On the iN, click on Service > Service Bay > Tool and Equipment Program, then enter the number under "Search." Or, call 888-424-6857.*

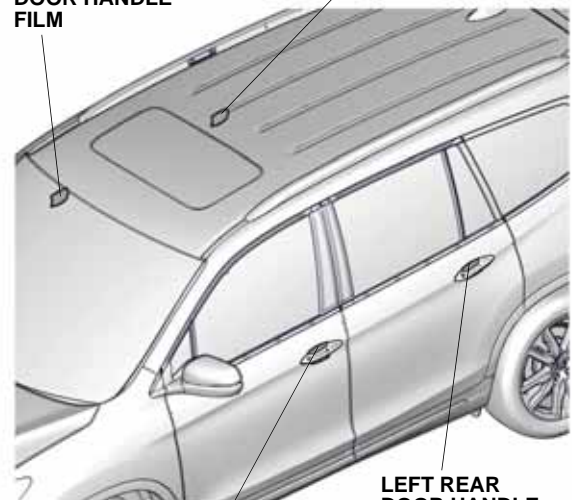
Mini Soft Spreader/Applicator (T/N SBSA2302Y5PK)

### Illustration of the Door Handle Films on the Vehicle



RIGHT REAR DOOR HANDLE FILM

RIGHT FRONT DOOR HANDLE FILM



LEFT FRONT DOOR HANDLE FILM

LEFT REAR DOOR HANDLE FILM

QH32103AN

## INSTALLATION

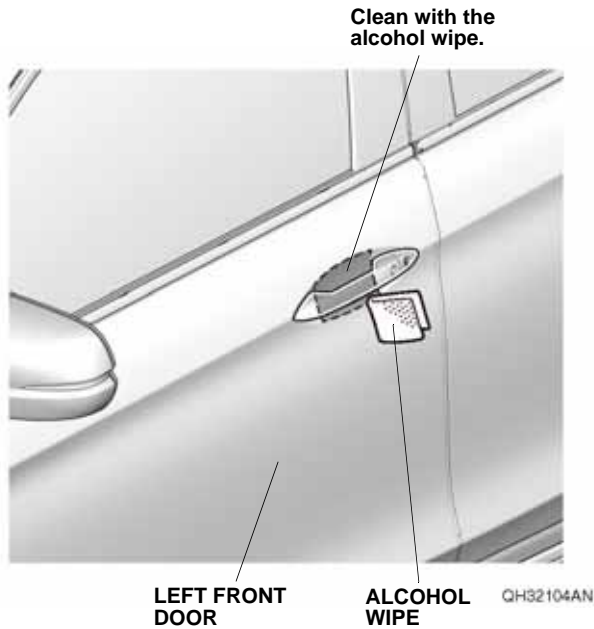
**Customer Information:** The information in this installation instruction is intended for use only by skilled technicians who have the proper tools, equipment, and training to correctly and safely add equipment to your vehicle. These procedures should not be attempted by “do-it-yourselfers.”

### NOTE:

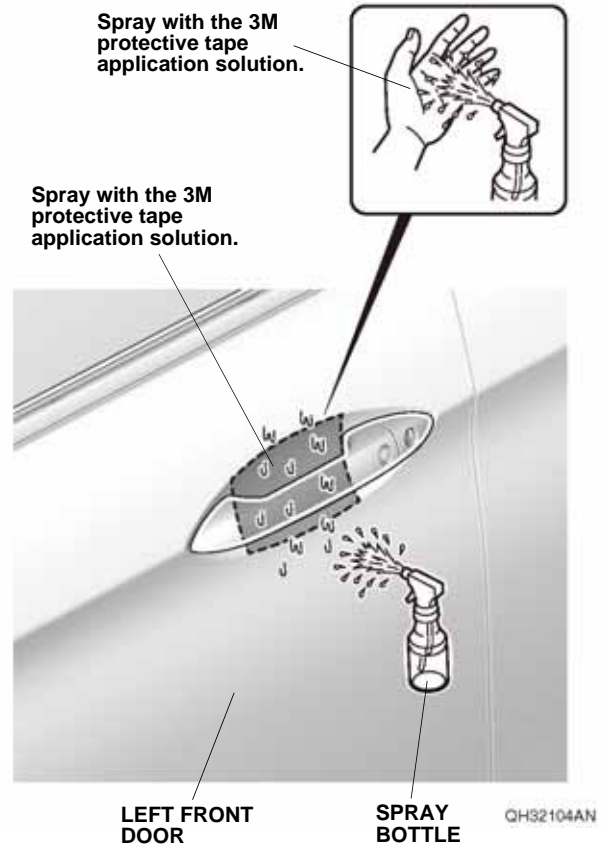
- Be careful not to damage the paint finish.
- This kit should be installed only if the ambient air temperature is 60°F (15°C) or above.
- To allow the adhesive to cure, do not wash the vehicle for 24 hours. Make sure your customer is aware of this.

### Installing the Door Handle Films

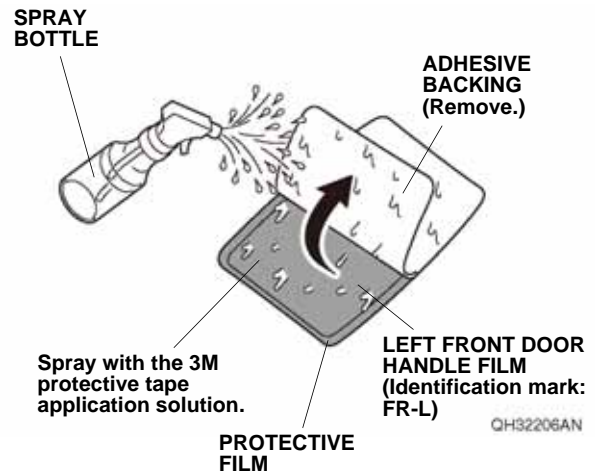
1. Using the alcohol wipe, thoroughly clean the area where the left front door handle film will attach.



2. Using a spray bottle with the 3M protective tape application solution, spray the area where the front door handle film will attach. Then, spray some solution on your hands.

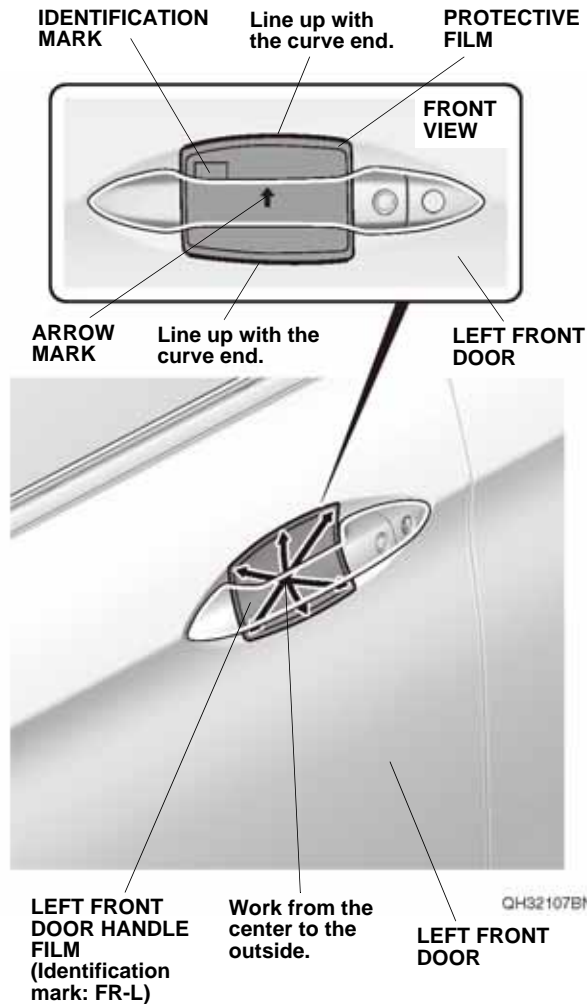


3. Remove the adhesive backing from the left front door handle film.  
NOTE: Make sure to check the identification mark before installation.



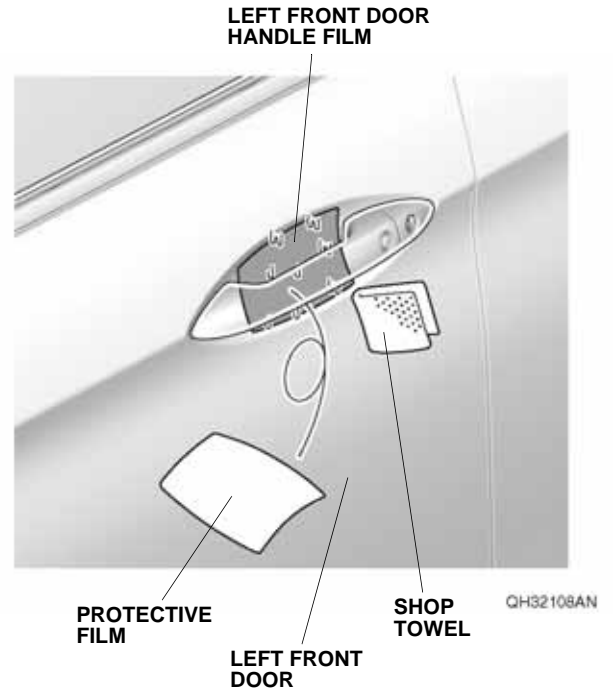
4. Spray the left front door handle film and protective film with the 3M protective tape application solution.

5. Line up the protective film with the left front door as shown.  
NOTE: Check the identification mark, arrow mark and install position of the left front door handle film. Make sure to install the left front door handle film in the correct position and orientation.



6. Starting from the center and working outward, use the mini soft spreader/applicator to smooth out the left front door handle film. If you see an air bubble, stop and gently peel up that section to work out the bubble. Work slowly and keep pressure against the left front door handle film.

7. Remove the protective film from the left front door handle film. Using a shop towel, wipe up the 3M protective tape application solution. Allow the left front door handle film to dry thoroughly.



8. Repeat steps 1 through 7 for the remaining door handle films.