



## INSTALLATION INSTRUCTIONS

Accessory  
TRAILER HARNESS  
P/N 08L91-TG7-100

Application  
2018 PILOT

Publications No.  
**VERSION 1**  
Issue Date  
**NOV 2017**

### PARTS LIST

Control unit bracket



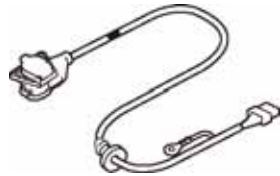
Fuse box bracket



Control unit harness



Socket harness



Control unit



2 Blade fuses, 20A



30A Block fuse



2 Relays



3 Wire ties



6 x 16 mm Flange bolt



6 x 19 mm Shoulder bolt



Washer-bolt



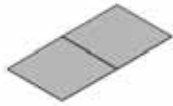
Ground bolt



2 Flange nuts



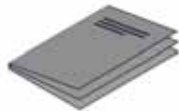
Aluminum tape



Subharness kit



Accessory User's Information Manual



## TOOLS AND SUPPLIES REQUIRED

10 mm Open end wrench

Ratchet

Phillips screwdriver

8 mm Socket

File

Utility knife

Diagonal cutters

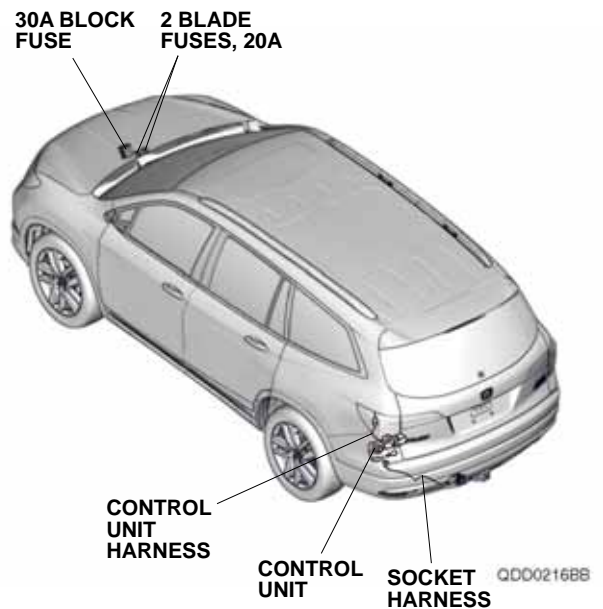
Isopropyl alcohol

Shop towel

*The following tool is available through the Honda Tool and Equipment Program. On the iN, click on: Service > Service Bay > Tool and Equipment Program, then enter the number under "Search". Or, call 888-424-6857.*

- Plastic Trim Tool (T/N SILTRIMTL10)

## Illustration of the Trailer Harness on the Vehicle

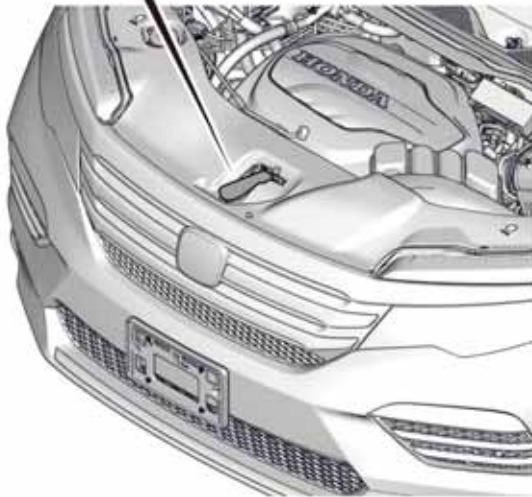
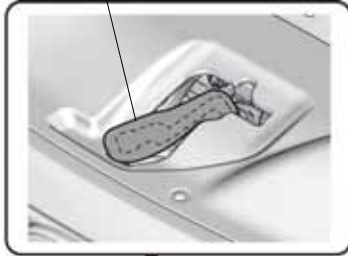


## INSTALLATION

**Customer Information:** The information in this installation instruction is intended for use only by skilled technicians who have the proper tools, equipment, and training to correctly and safely add equipment to your vehicle. These procedures should not be attempted by “do-it-yourselfers.”

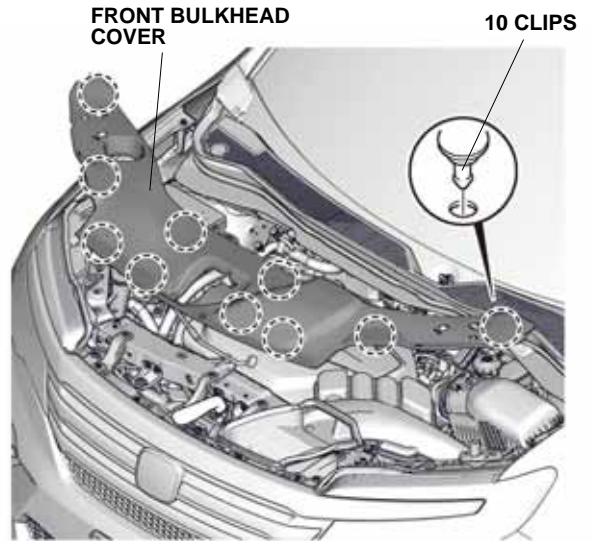
1. Wrap a shop towel around the hood latch.

**HOOD LATCH**  
(Wrap with a shop towel.)



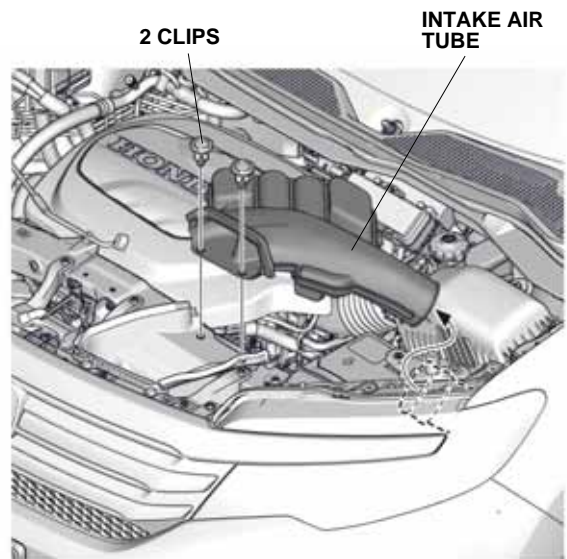
QDN1301AA

- Remove the front bulkhead cover.



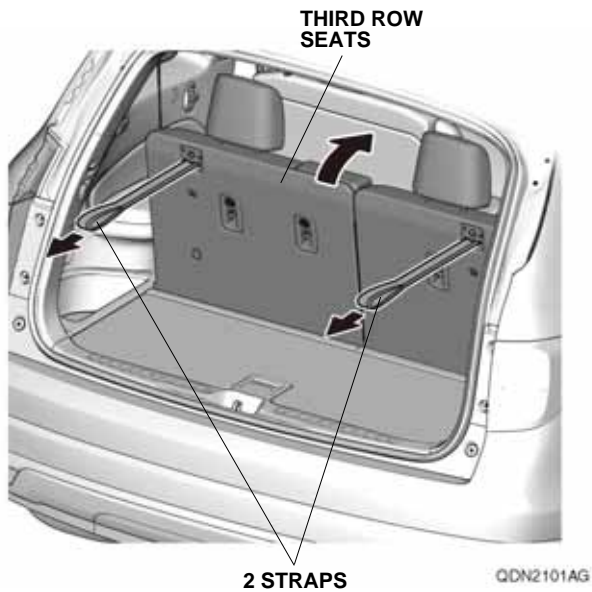
QDN1302AA

- Remove the intake air tube.
- Disconnect the negative cable from the battery, then wait at least 3 minutes before starting work.

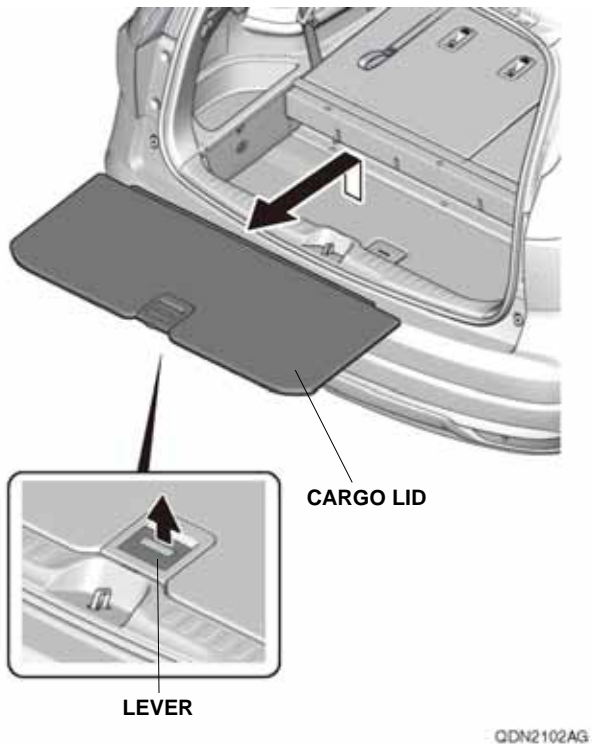


QDN1303AA

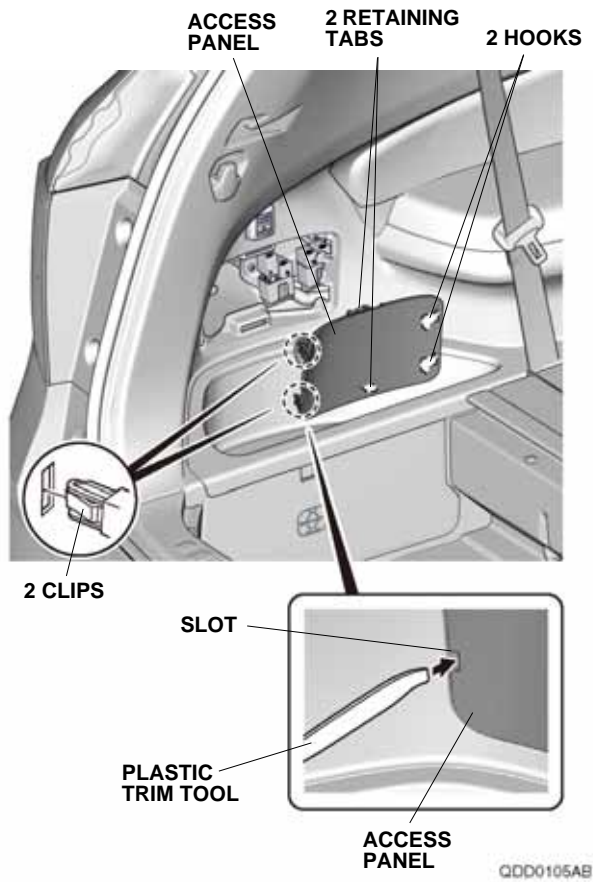
2. Pull each strap, and fold down the third row seats.



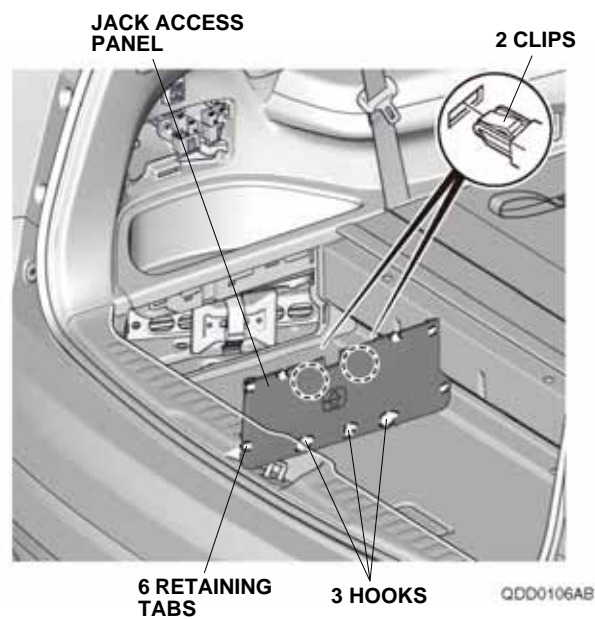
3. Remove the cargo lid.



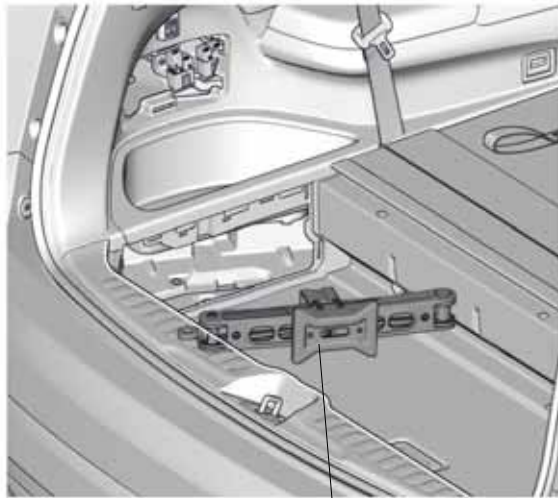
4. Using a plastic trim tool, remove the access panel.



5. Remove the jack access panel.



6. Remove the jack.

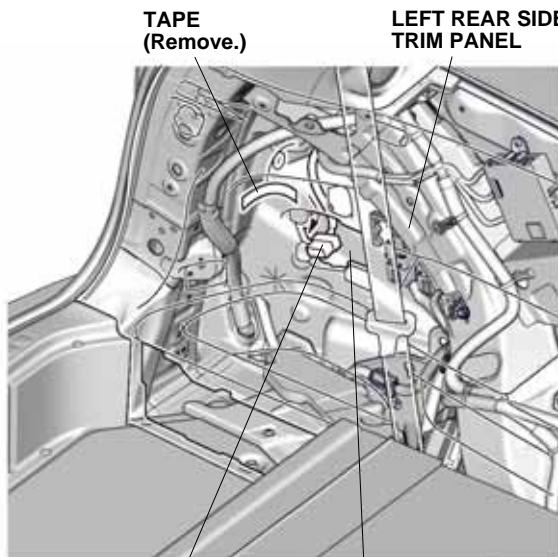


JACK

QDD0107AB

## Installing the Control Unit and Control Unit Harnesses

7. Remove the tape, to release the vehicle 14-pin connector as shown.



TAPE  
(Remove.)

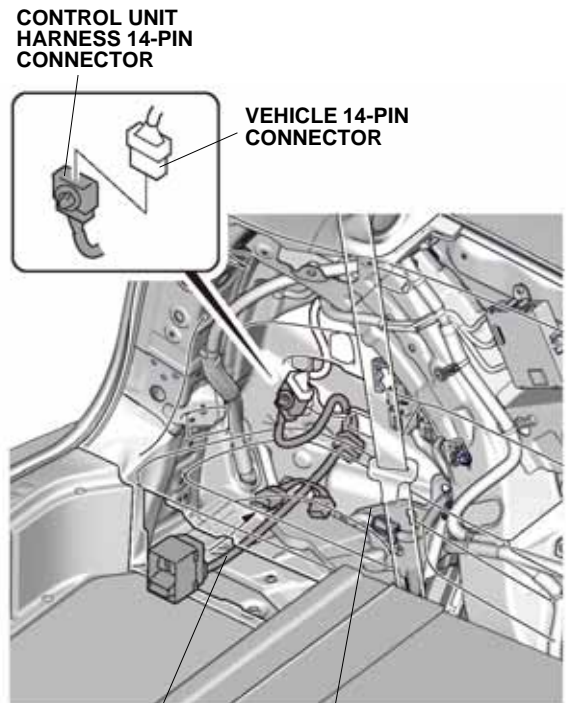
LEFT REAR SIDE  
TRIM PANEL

VEHICLE 14-PIN  
CONNECTOR

ACCESS PANEL  
OPENING

QDD0108AB

8. Route the control unit harness 14-pin connector and plug it into the vehicle 14-pin connector.



CONTROL UNIT  
HARNESS 14-PIN  
CONNECTOR

VEHICLE 14-PIN  
CONNECTOR

CONTROL UNIT  
HARNESS

LEFT REAR SIDE  
TRIM PANEL

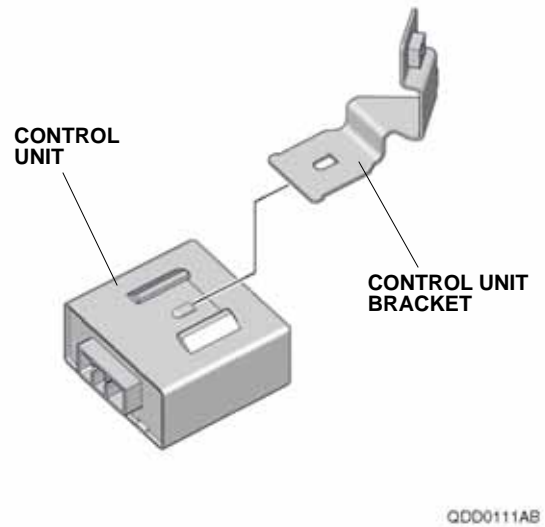
QDD0109AB

9. Secure the 14-pin connectors to the back of the left rear side trim panel with the clip on the control unit harness 14-pin connector.

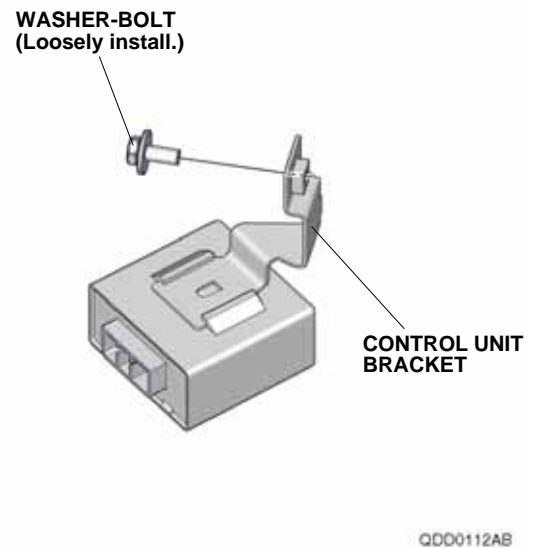


10. Secure the control unit harness to the left rear side trim panel with one wire tie.

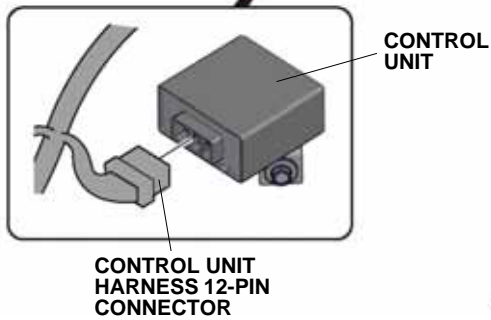
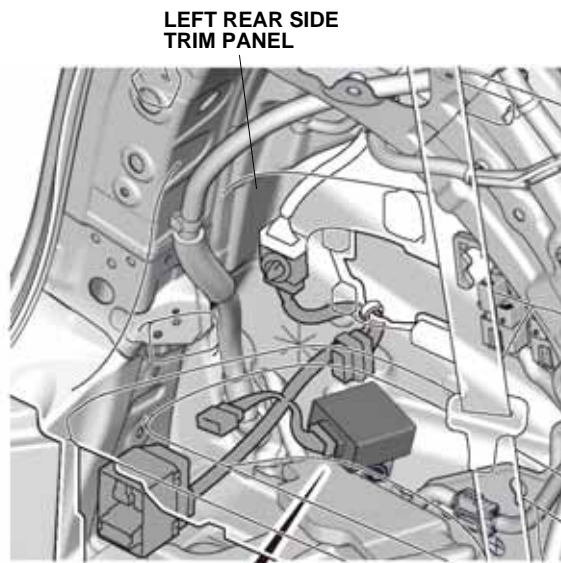
11. Install the control unit bracket on the control unit.



12. Loosely install the washer-bolt on the control unit bracket.

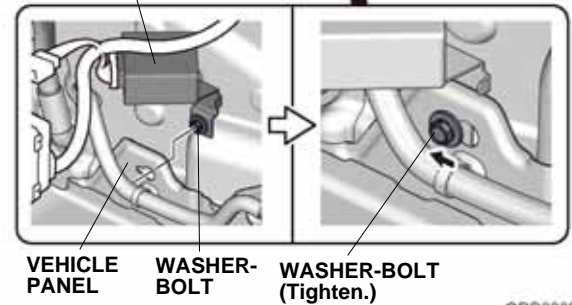
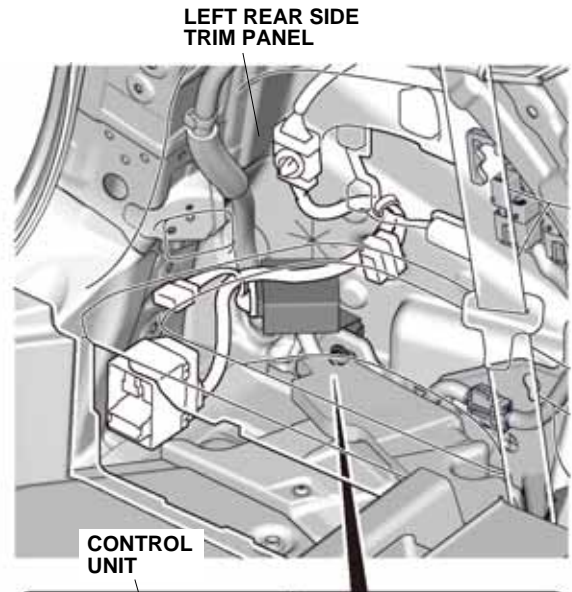


13. Plug the control unit harness 12-pin connector into the control unit.



QDD0201AB

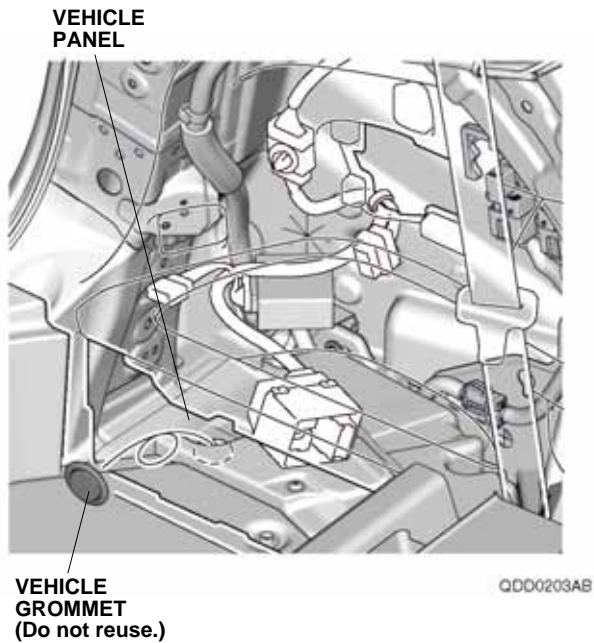
14. Install the control unit on the vehicle panel as shown.



QDD0202AB

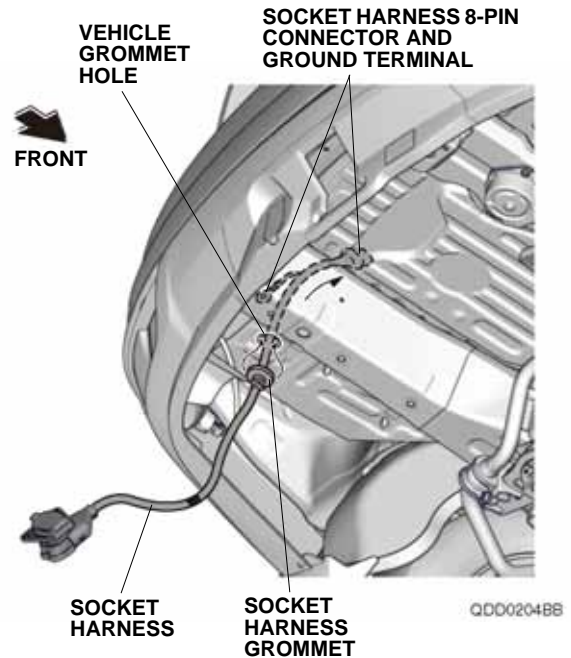
## Routing the Socket Harness

15. Remove the vehicle grommet from the floor panel.



If the vehicle is equipped with the trailer hitch, continue with step 16; otherwise, go to step 17.

16. Refer to the trailer hitch installation instructions, remove the trailer hitch.



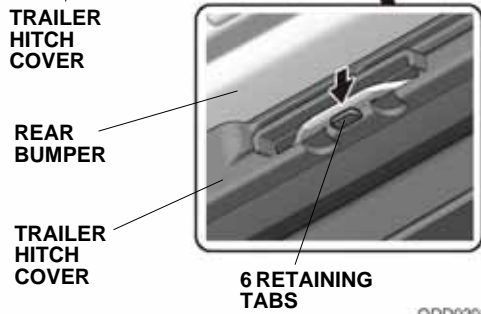
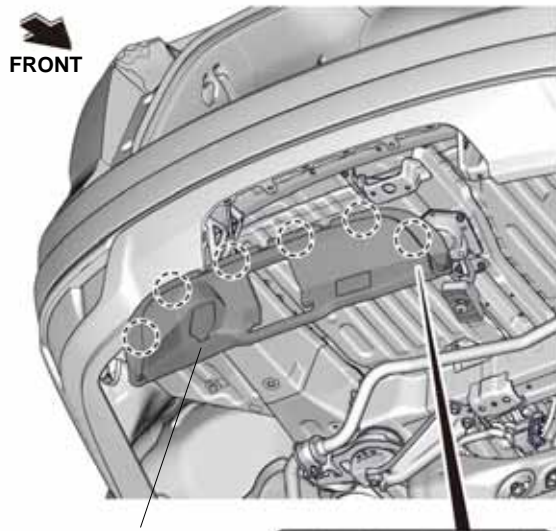
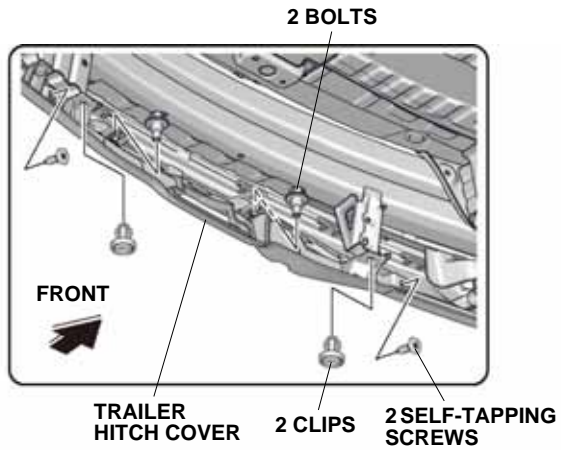
17. Route the socket harness 8-pin connector and socket harness ground terminal through the vehicle grommet hole, and install the socket harness grommet into the vehicle grommet hole.

### NOTE:

- Install the socket harness by holding the grommet.
- Make sure to check that the grommet is secured properly.

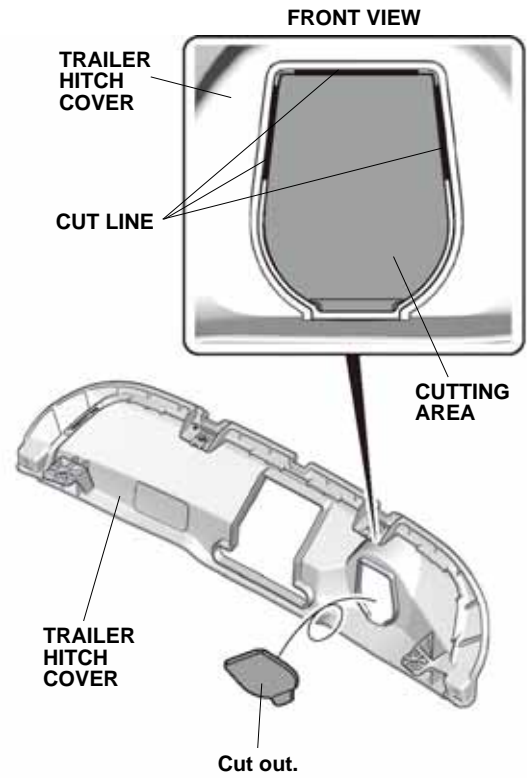


18. Remove the two clips, two self-tapping screws, and two bolts from the trailer hitch cover.



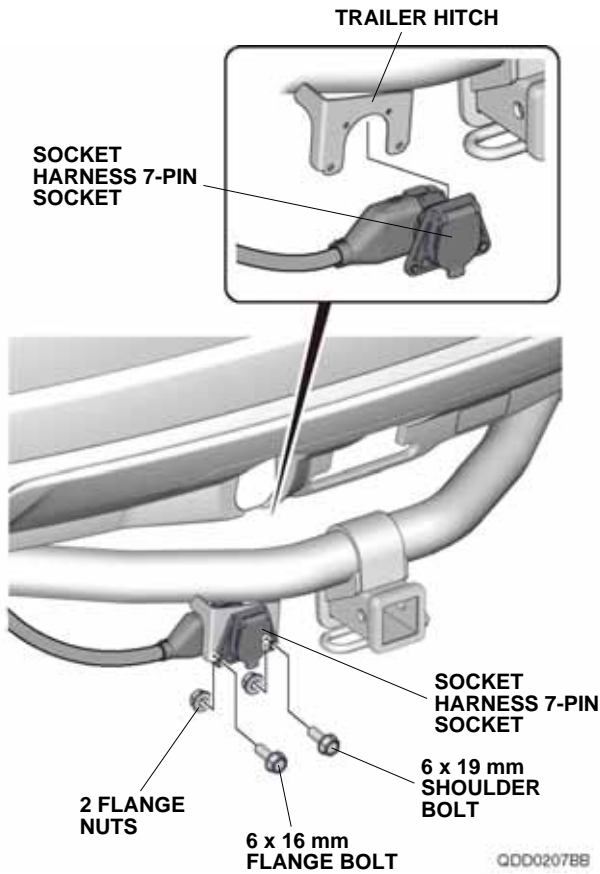
19. Remove the trailer hitch cover.

20. Using an utility knife, cut out the trailer hitch cover as shown. Remove any burrs.



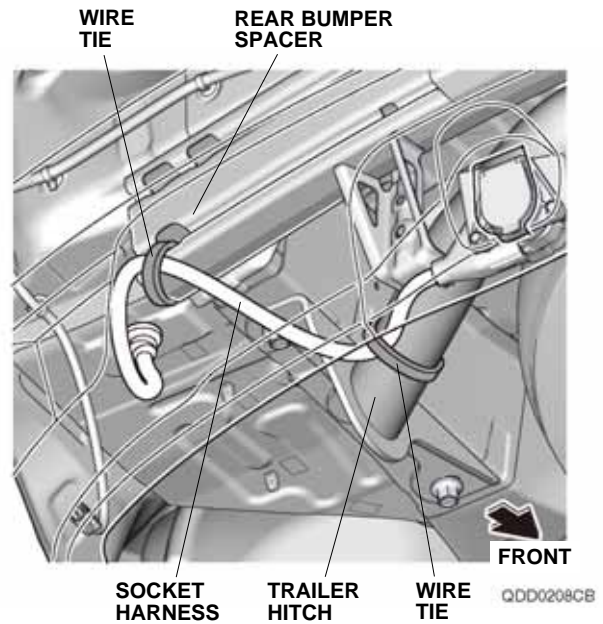
21. Install the trailer hitch cover on the rear bumper.

22. Bring the trailer hitch close to the vehicle, install the socket harness 7-pin socket into the trailer hitch with one 6 x 16 mm flange bolt, one 6 x 19 mm shoulder bolt, and two flange nuts.

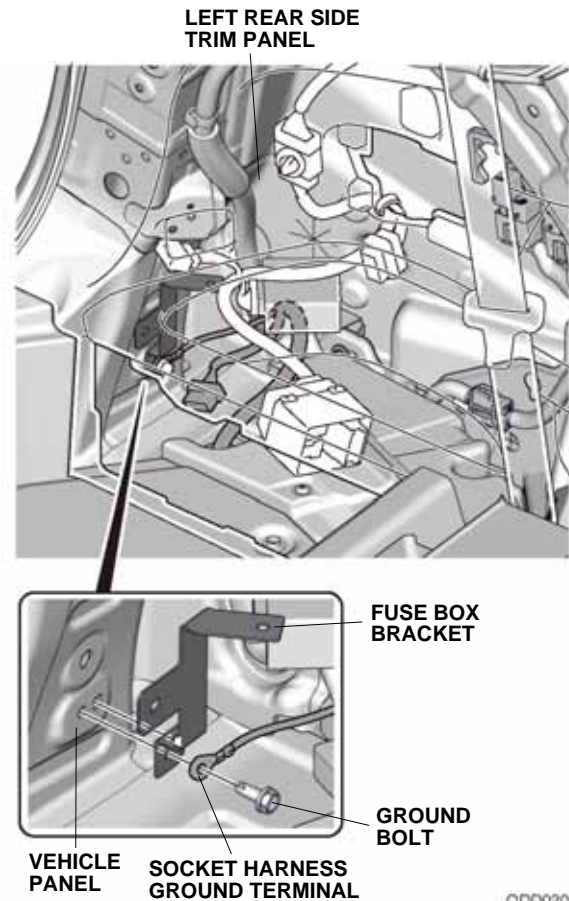


23. Refer to the trailer hitch installation instructions, install the trailer hitch.

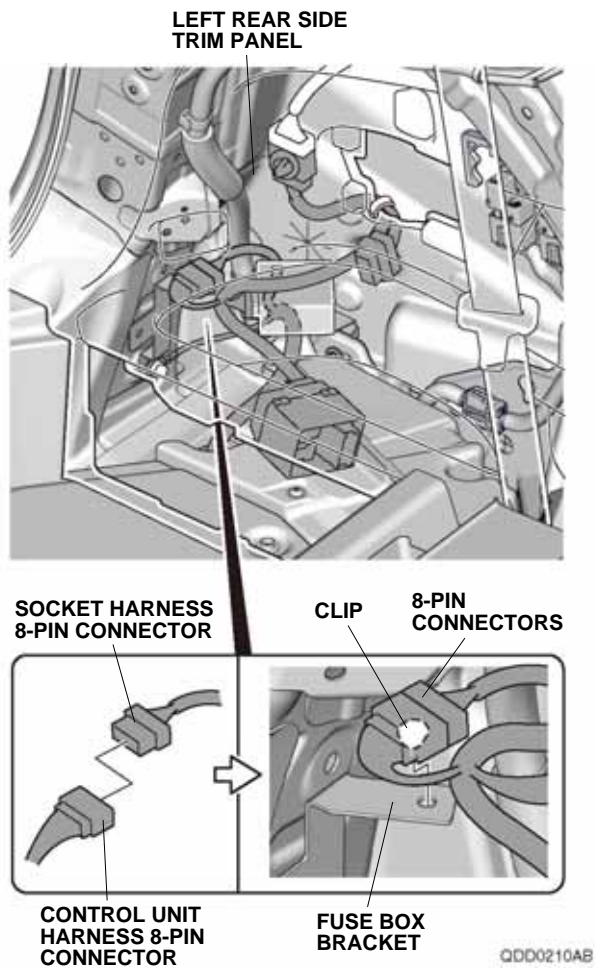
24. Secure the socket harness to the trailer hitch and rear bumper spacer with two wire ties.



25. Secure the socket harness ground terminal and fuse box bracket to the vehicle panel with one ground bolt.

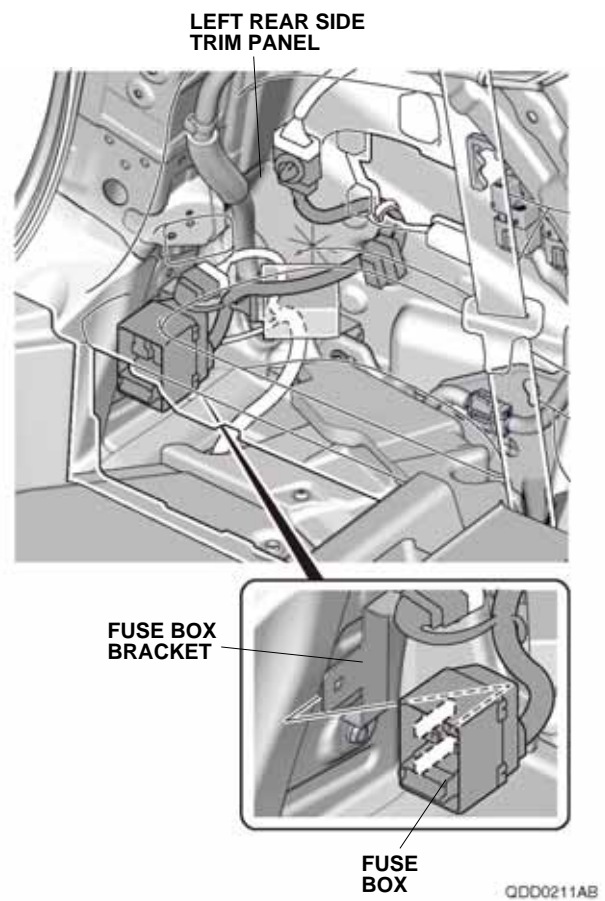


26. Plug the socket harness 8-pin connector into the control unit harness 8-pin connector.

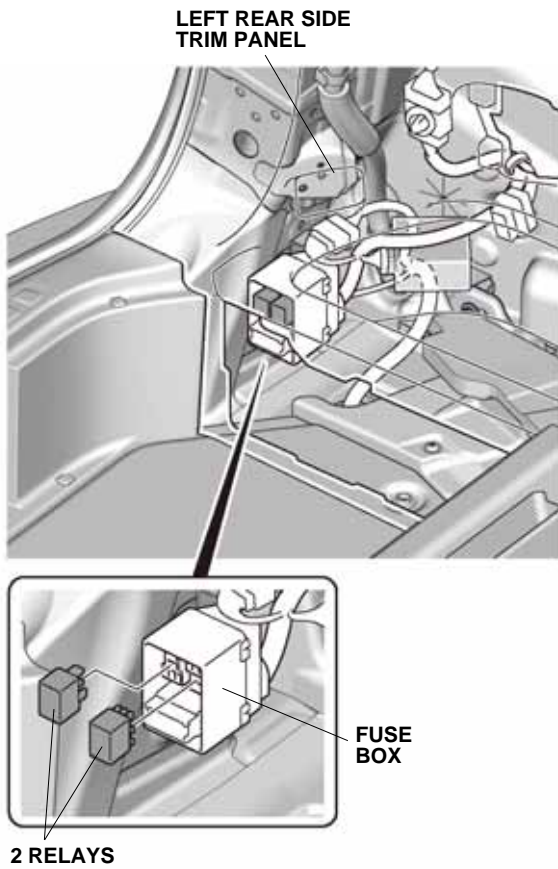


27. Secure the 8-pin connectors to the fuse box bracket with the clip on the control unit harness 8-pin connector.

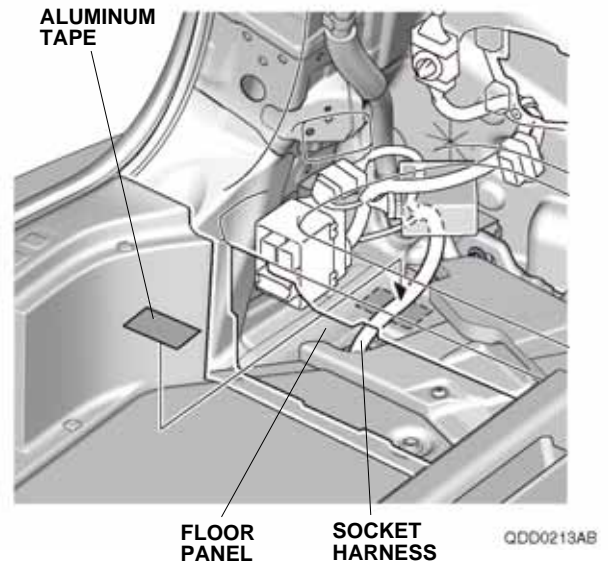
28. Secure the fuse box on the control unit harness to the fuse box bracket.



29. Install the two relays into the fuse box on the control unit harness.



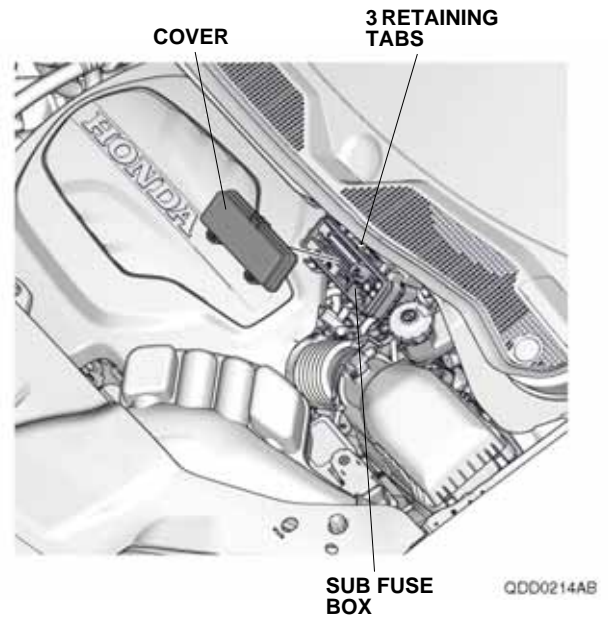
30. Using isopropyl alcohol on a shop towel, thoroughly clean the floor panel where the aluminum tape will attach.



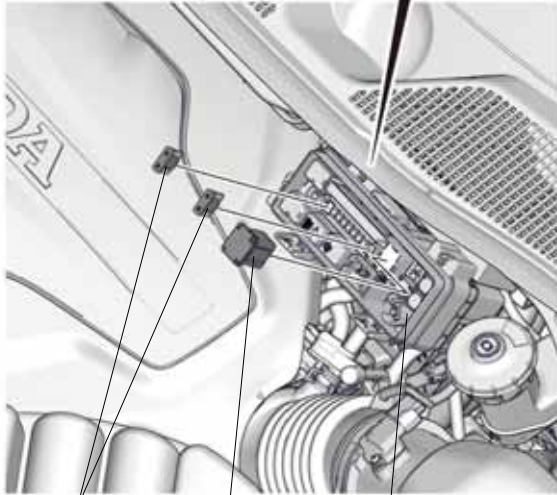
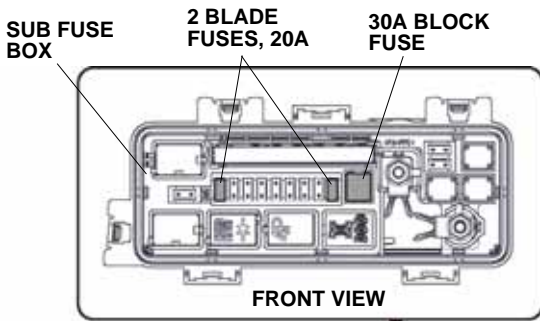
31. Secure the socket harness to the floor panel with one aluminum tape.

### Installing the Fuse

32. In the engine compartment, remove the cover from the sub fuse box.



33. Plug the two 20A blade fuses and the 30A block fuse into the sub fuse box.



2 BLADE FUSES, 20A    30A BLOCK FUSE    SUB FUSE BOX    QDD0215AB

34. Check that all wire harnesses are routed properly and all connectors are plugged in.
35. Install all removed parts except for the front bulkhead cover and the intake tube.
36. Connect the negative cable to the battery.
37. Install the front bulkhead cover and the intake air tube.
38. Press and hold the audio unit power button for two seconds to restore the audio and navi (if equipped) system functions.
39. Set the clock on vehicles without navigation.
40. If necessary, restore the systems back to normal operation as described in the service information.

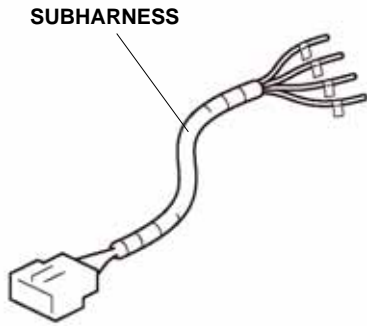
### Check the Operation of the Trailer Harness

41. Refer to the "TRAILER HARNESS TESTER", and perform the "Trailer Harness Circuit Check."

Give a copy of this page to your customer

## How to Handle Subharness

This subharness is designed for use with the installation of an electric brake controller. Refer to the vehicle's Owner's Manual for the detailed information about handling this subharness.



QBN0730AH