



## INSTALLATION INSTRUCTIONS

Accessory  
**SECOND ROW SEAT COVERS**  
 P/N 08P32-TG7-100C

Application  
**2018 PILOT**  
 (Elite AWD only)

Publications No.  
**VERSION 1**  
 Issue Date  
**NOV 2017**

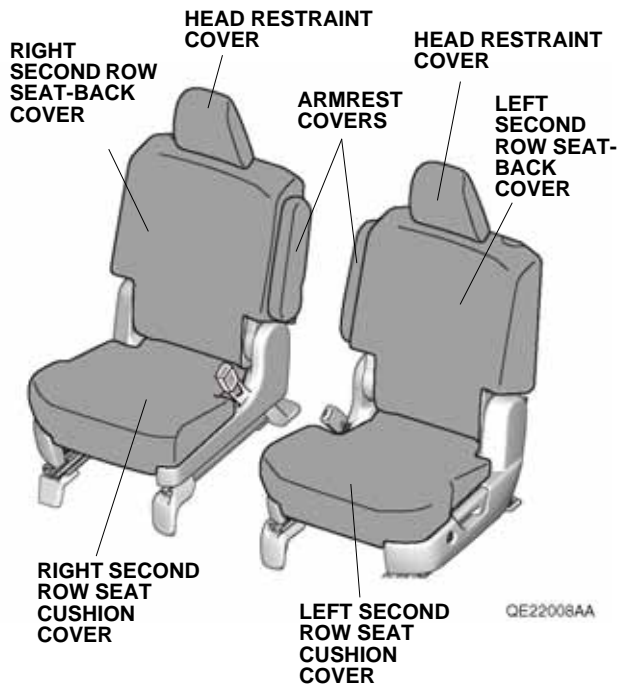
Put this information in the glove box with the vehicle Owner's Manual.

### PARTS LIST

Second row seat covers



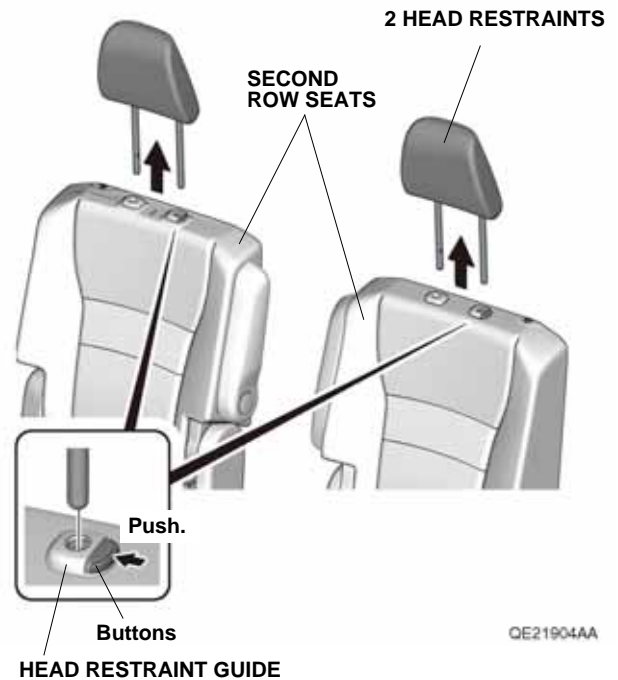
*Illustration of the Second Row Seat Covers in the Vehicle*



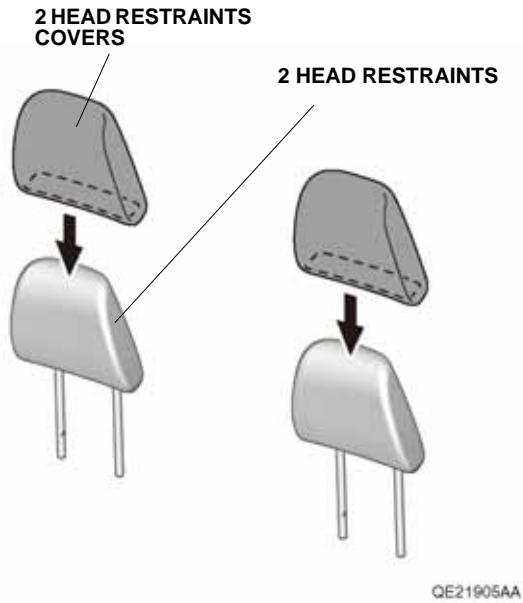
### INSTALLATION

#### NOTE:

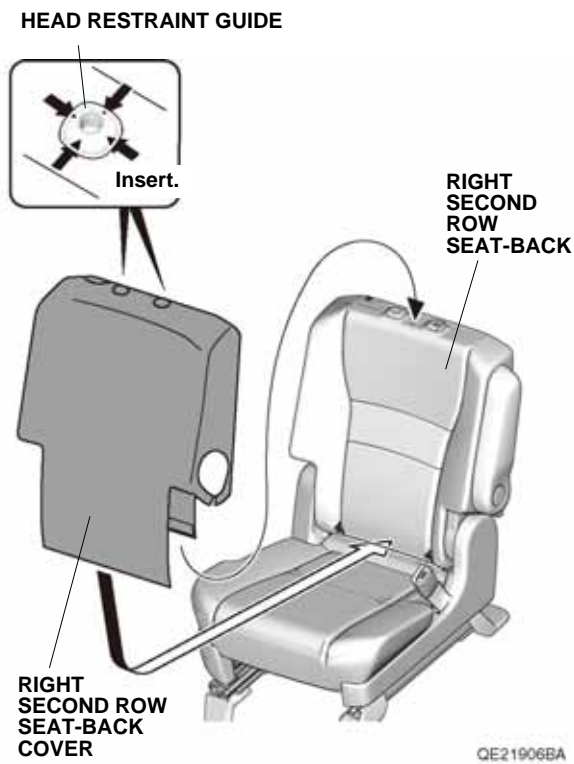
- Do not damage the vehicle during installation.
  - Do not install the seat covers to the front seat. Improperly covering the front seat may prevent the side airbag from inflating during the side impact.
  - Identify each seat cover by the tags on the back.
1. Push the buttons and remove each head restraint from the second row seats.



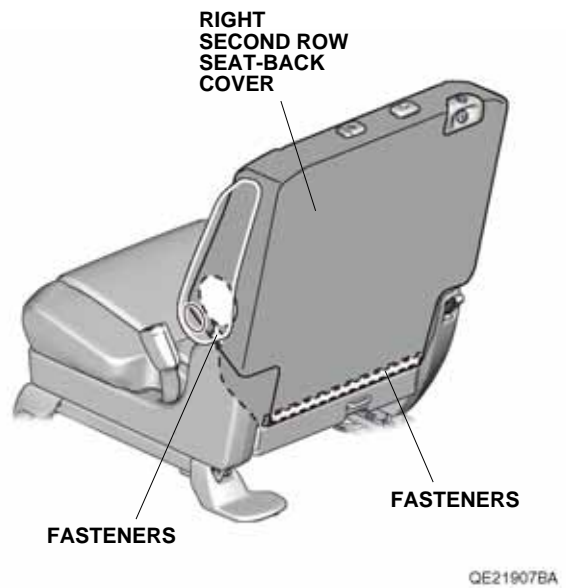
2. Install each head restraint cover.



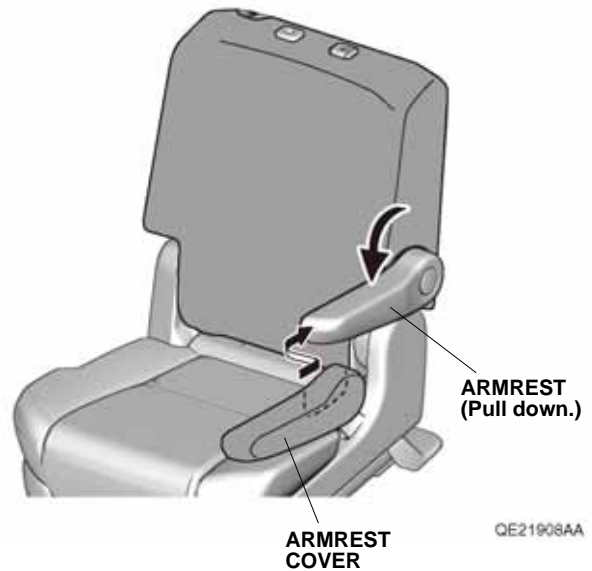
3. Install the right second row seat-back cover to the right second row seat-back. Insert the right second row seat-back cover under each head restraint guide.



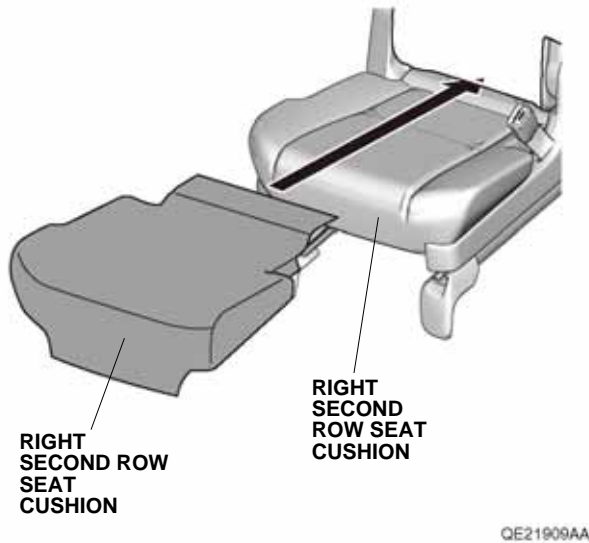
4. Secure the right second row seat-back cover with the fasteners.



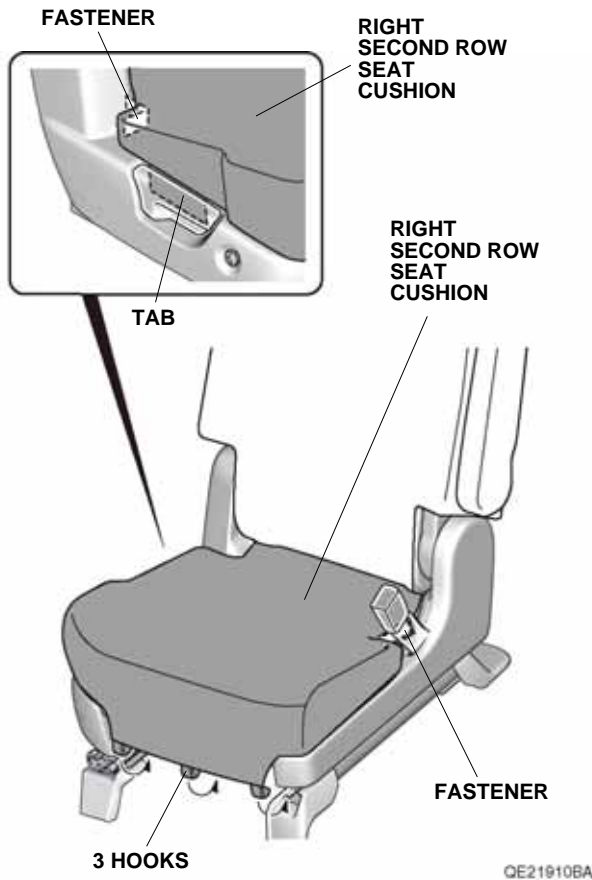
5. Pull down the armrest. Install the armrest cover on the armrest.



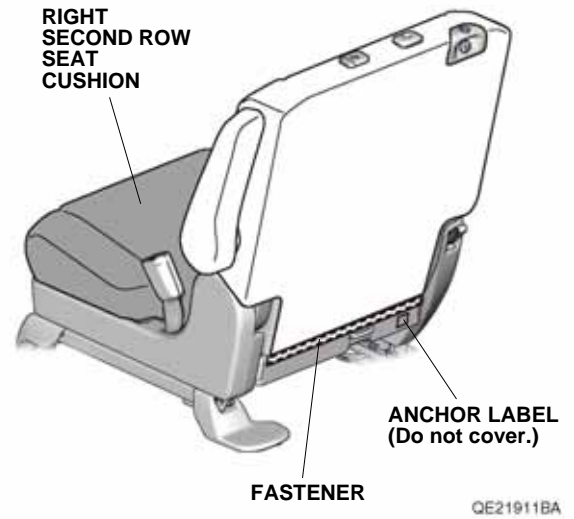
6. Install the right second row seat cushion cover on the right second row seat cushion.



7. Secure the three hooks and fasteners to the right second row seat cushion. Insert one tab to the right second row seat cushion.



8. Secure the fastener to the right second row seat cushion.  
NOTE: Do not cover the anchor label.



9. Repeat steps 3 through 8 on the left second row seat.  
10. Install each head restraint on the second row seats.