



## INSTALLATION INSTRUCTIONS

Accessory  
**LOWER CHROME TRIM**  
 P/N 08F57-TG7-100

Application  
**2018 PILOT**

Publications No.  
**VERSION 1**  
 Issue Date  
**NOV 2017**

### PARTS LIST

Left front lower chrome trim



Right front lower chrome trim



Left rear lower chrome trim



Right rear lower chrome trim



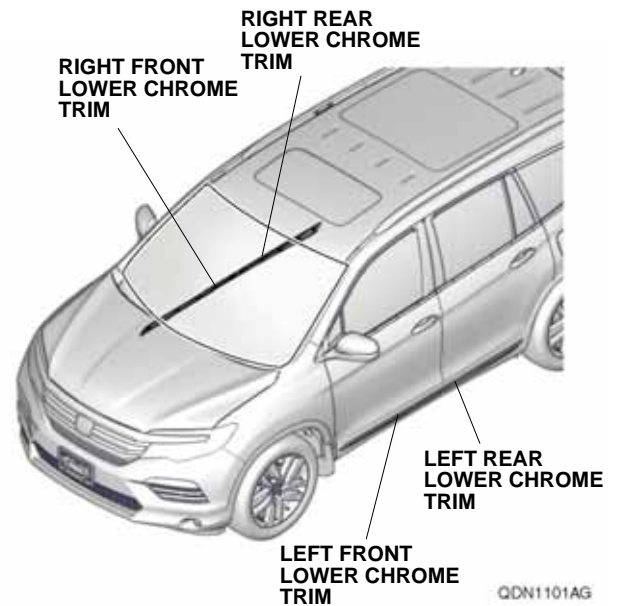
22 Flange nuts



### TOOLS AND SUPPLIES REQUIRED

- Phillips screwdriver
- Drill
- 3 mm and 7 mm Drill bits
- Blanket
- Eye protection (safety goggles, face shield, etc.)
- Pushpin
- File
- Masking tape
- 8 mm Socket
- Ratchet
- Torque wrench

### Illustration of the Lower Chrome Trim on the Vehicle



### INSTALLATION

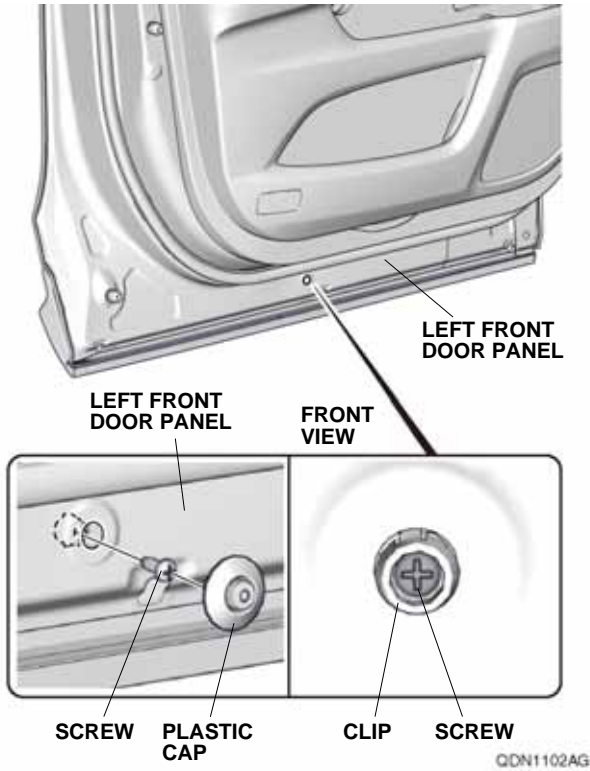
**Customer Information:** The information in this installation instruction is intended for use only by skilled technicians who have the proper tools, equipment, and training to correctly and safely add equipment to your vehicle. These procedures should not be attempted by “do-it-yourselfers.”

#### NOTE:

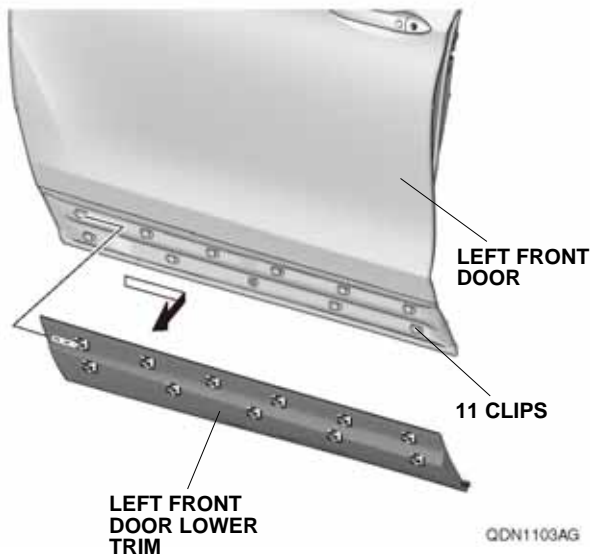
- Be careful not to damage the paint finish.

## Installing the Front Lower Chrome Trim

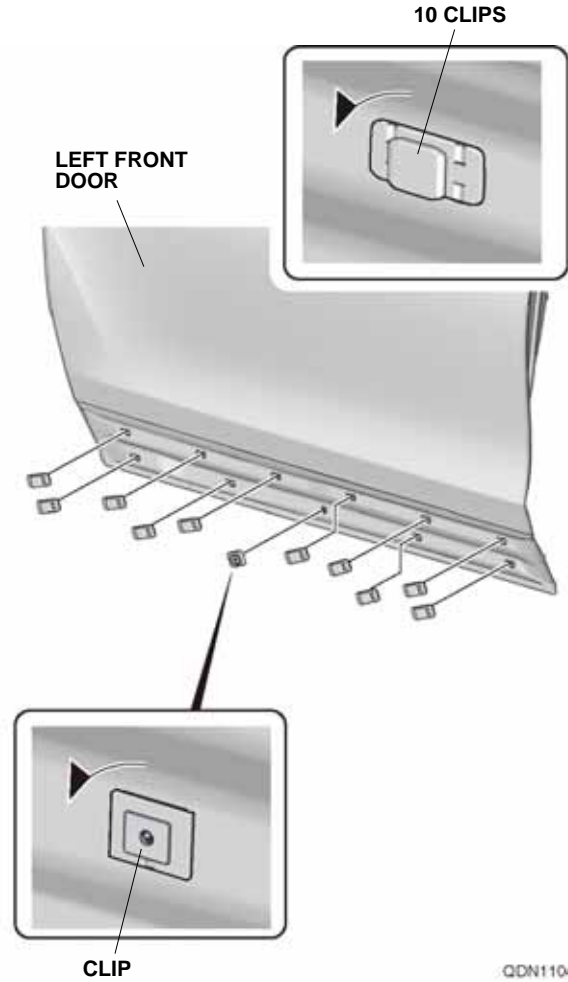
1. Open the left front door. Remove the plastic cap and one screw on the inside of left front door panel.



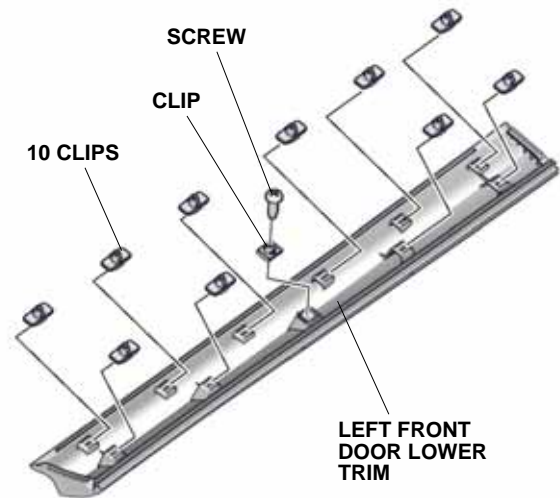
2. Slide the left front door lower trim, and remove the left front door lower trim.



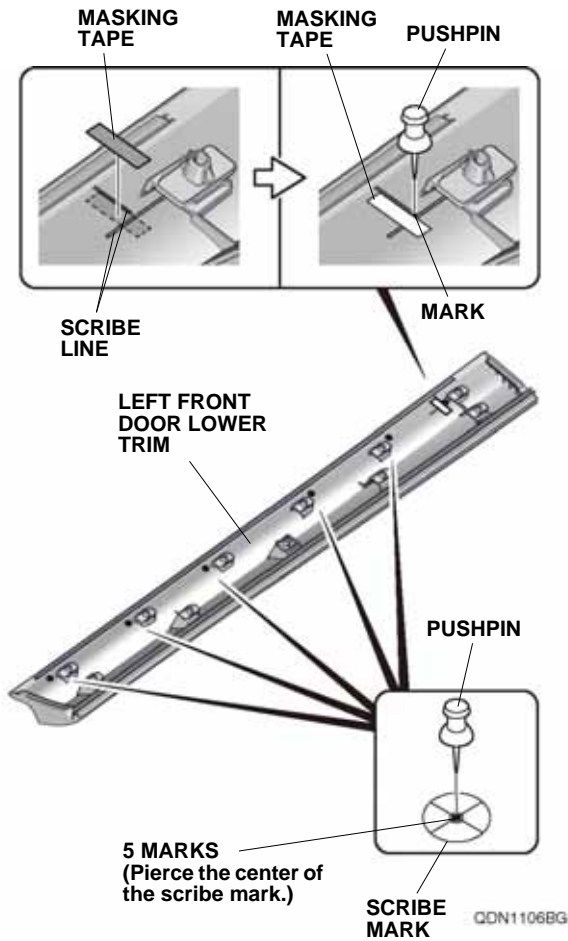
3. Remove the eleven clips from the left front door.



4. Reinstall the eleven clips removed in step 3 and one screw removed in step 1 to the left front door lower trim.

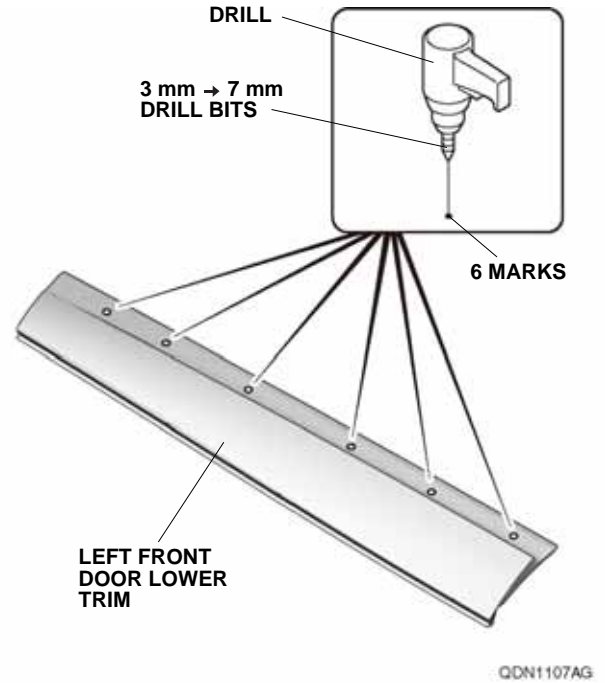


5. Attach the masking tape to the left front door lower trim as shown.

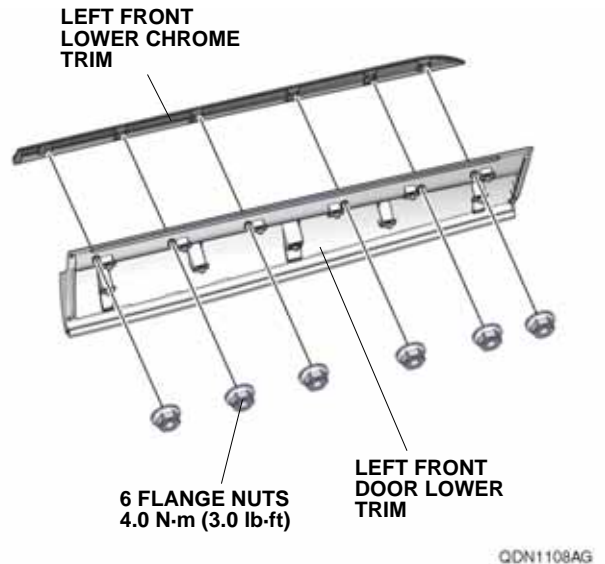


6. Using a pushpin, pierce the left front door lower trim as shown. Remove the masking tape.  
7. Using a pushpin, pierce the left front door lower trim through the center of the five scribe marks.

8. While wearing eye protection, drill the six pierced marks to 7 mm.  
• First drill with a 3 mm drill bit, and finish with a 7 mm drill bit. Remove any burrs.

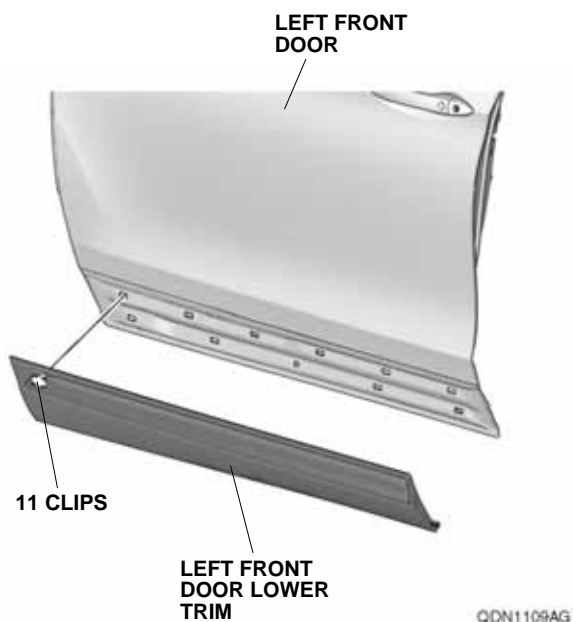


9. Install the left front lower chrome trim to the left front door lower trim.



10. Secure the left front lower chrome trim to the left front door lower trim with six flange nuts. Torque the flange nut to 4.0 N·m (3.0 lb-ft)

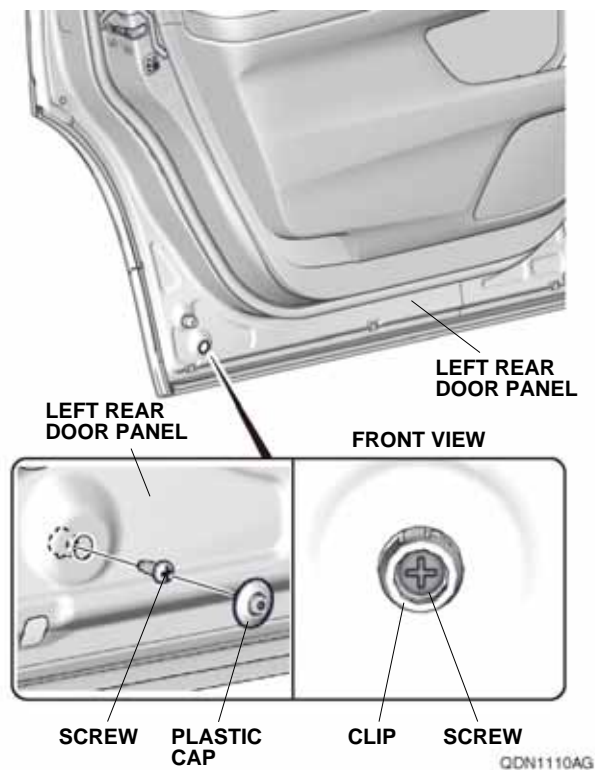
11. Install the left front door lower trim to the left front door.



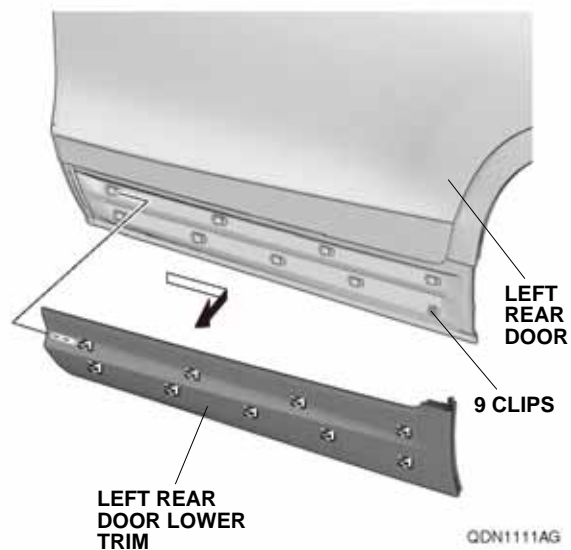
12. Install the plastic cap removed in step 1 to the left front door.
13. Repeat steps 1 through 12 to install the right front lower chrome trim on the right front door.

## Installing the Rear Lower Chrome Trim

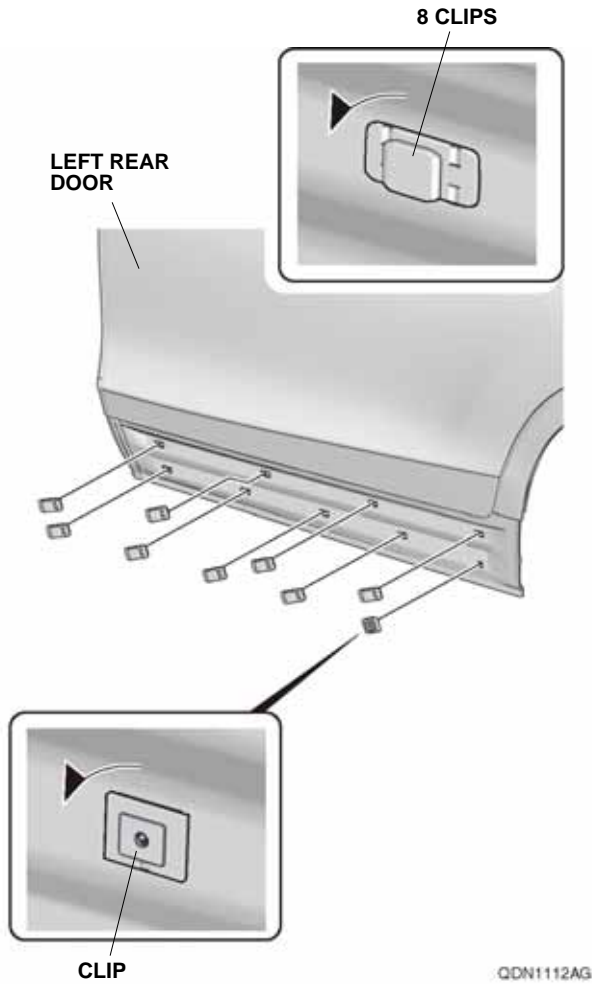
14. Open the left rear door. Remove the plastic cap and one screw on the inside of left rear door panel.



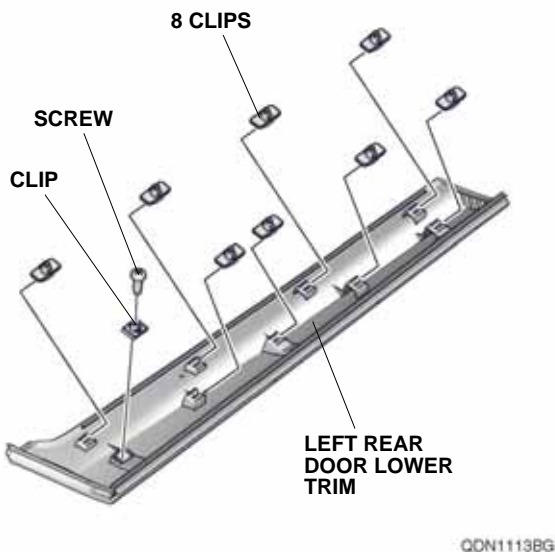
15. Slide back the left rear door lower trim, and remove the left rear door lower trim.



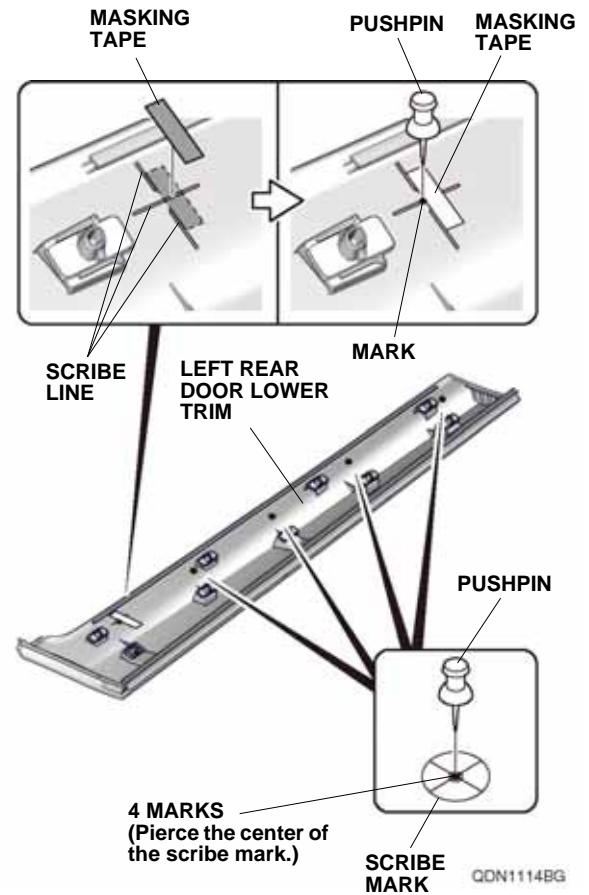
16. Remove the nine clips from the left rear door.



17. Install the nine clips removed in step 16 and the screw removed in step 14 to the left rear door lower trim.



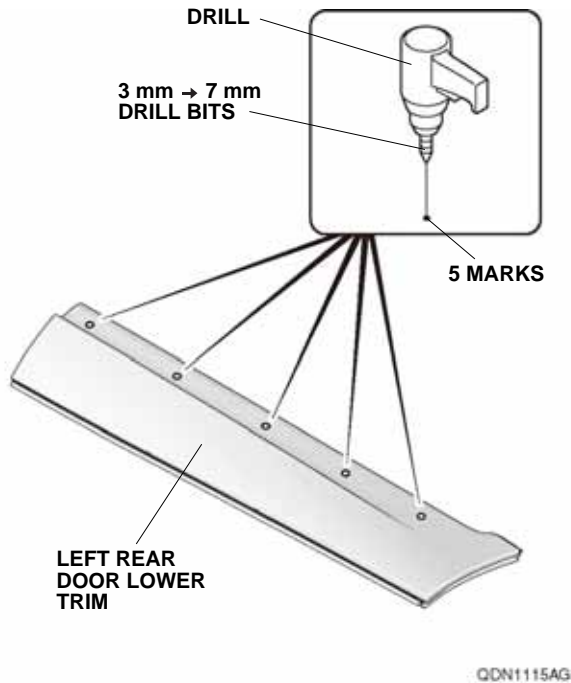
18. Attach the masking tape to the left rear door lower trim as shown.



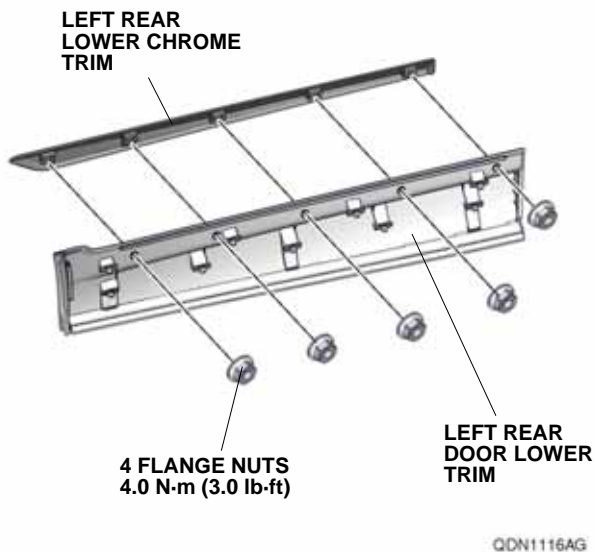
19. Using a pushpin, pierce the left rear door lower trim as shown. Remove the masking tape.
20. Using a pushpin, pierce the left rear door lower trim through the center of the four scribe marks.



21. While wearing eye protection, drill the five pierced marks to 7 mm.
- First drill with a 3 mm drill bit, and finish with a 7 mm drill bit. Remove any burrs.

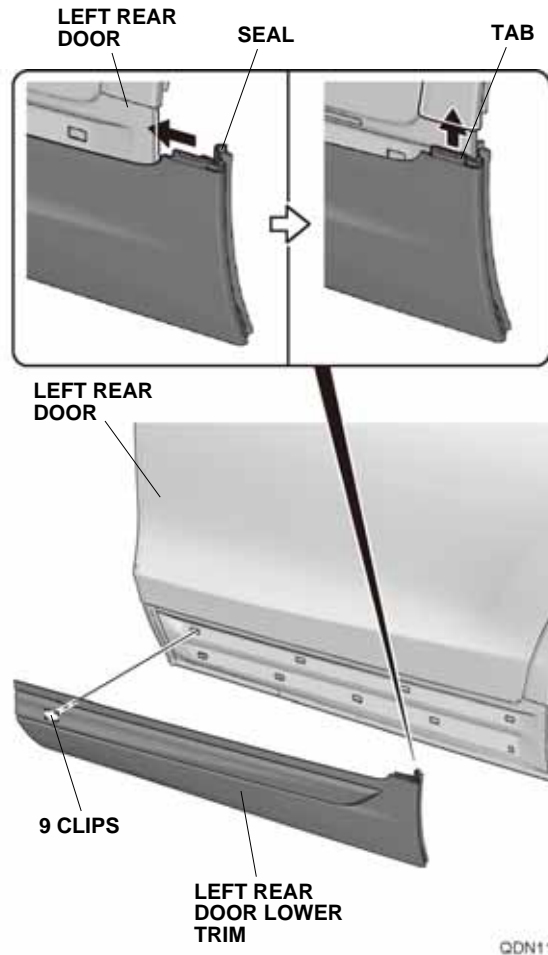


22. Install the left rear lower chrome trim to the left rear door lower trim.



23. Secure the left rear lower chrome trim to the left rear door lower trim with five flange nuts. Torque the flange nut to 4.0 N·m (3.0 lb-ft).

24. Install the left rear door lower trim to the left rear door.



25. Install the plastic cap removed in step 14 to the left rear door.
26. Repeat steps 14 through 25 to install the right rear lower chrome trim on the right rear door.