

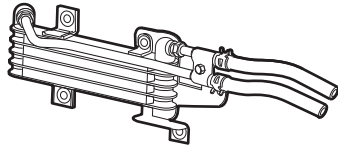


INSTALLATION INSTRUCTIONS

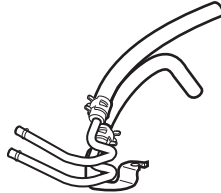
Accessory	Application	Publications No.
ATF COOLER KIT P/N 06255-RLX-306	2017 Pilot (LX, EX and EX-L)	VERSION 1
		Issue Date OCT 2016

PARTS LIST

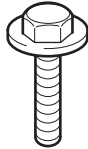
ATF Cooler



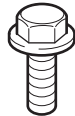
ATF Hose



3 Washer Bolts, 6 x 20 mm



Washer Bolt 6 x 16 mm



4 Hose clamps



Tag



REQUIRED SPECIAL TOOLS

- 10 mm socket
- 8 mm Hex socket
- T30 Torx socket
- Philips screwdriver

The following tools are available through the Honda Tool and Equipment Program. On the iN, click on: Service > Service Bay > Tool and Equipment Program, then enter the number under "Search." Or, call 888-424-6857.

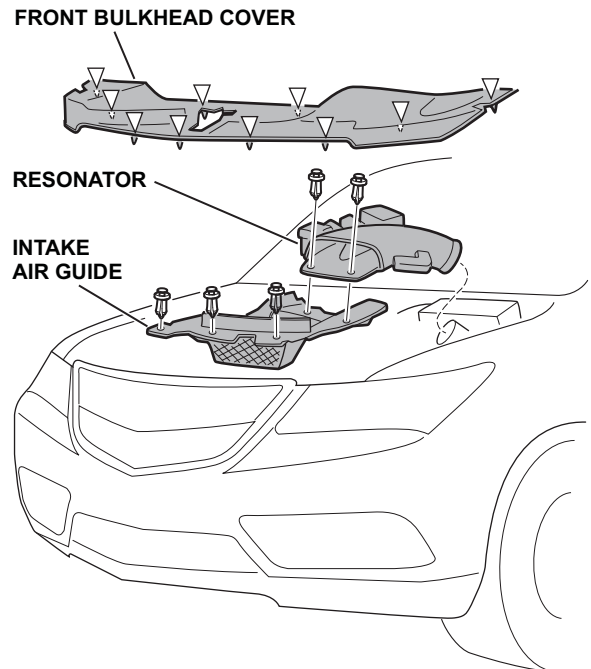
- Trim Tool Set (T/N SOJATP2014)
- Clip Pliers (T/N 07AAC-001A100)

INSTALLATION

Client Information: The information in this installation instruction is intended for use only by skilled technicians who have the proper tools, equipment, and training to correctly and safely add equipment to your vehicle. These procedures should not be attempted by "do-it-yourselfers."

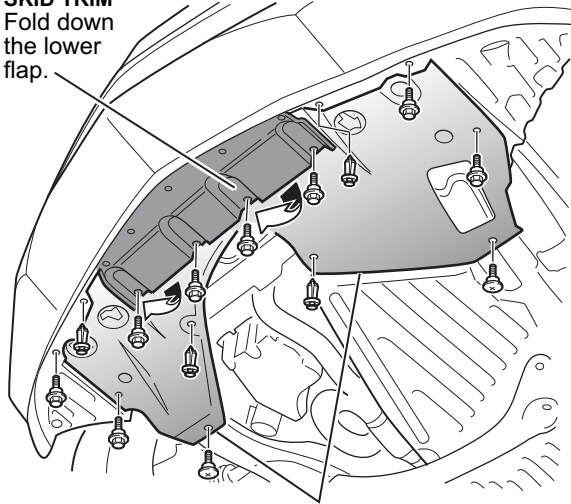
NOTE: Allow the engine and transmission to cool down before installing the ATF cooler.

1. Remove the front bulkhead cover, the resonator, and the intake air guide.



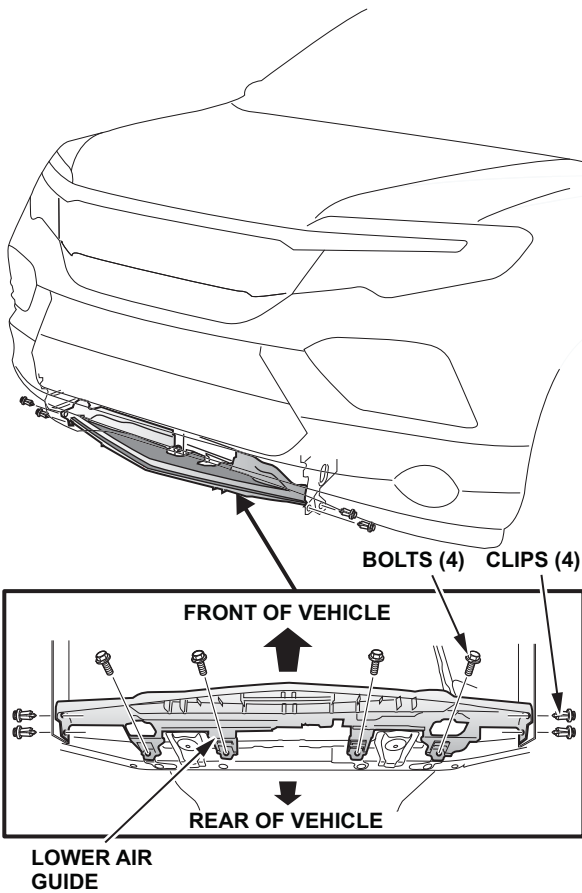
2. Remove the splash shield, and fold down the front bumper skid trim lower flap.

FRONT BUMPER SKID TRIM
Fold down the lower flap.

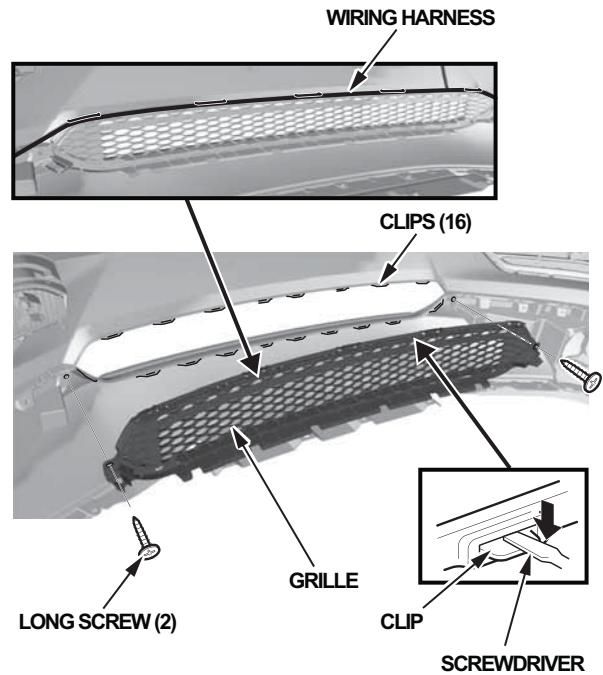


SPLASH SHIELD
Remove.

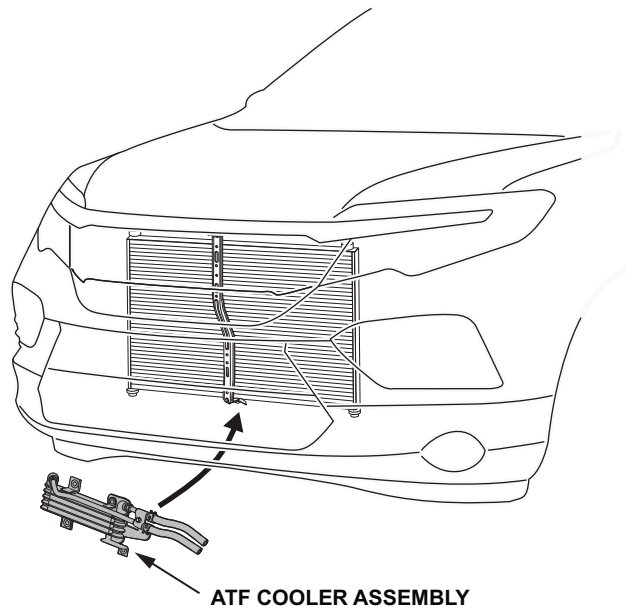
3. Remove the lower air guide.



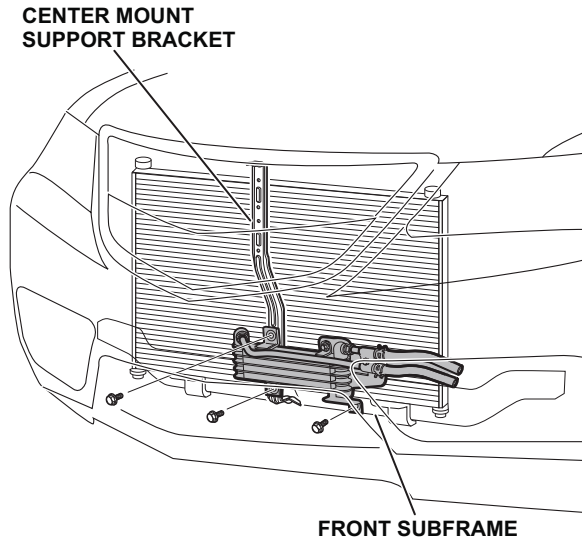
4. Remove the front bumper center lower grille
NOTE: If equipped, remove the parking sensor sub harness clamps.



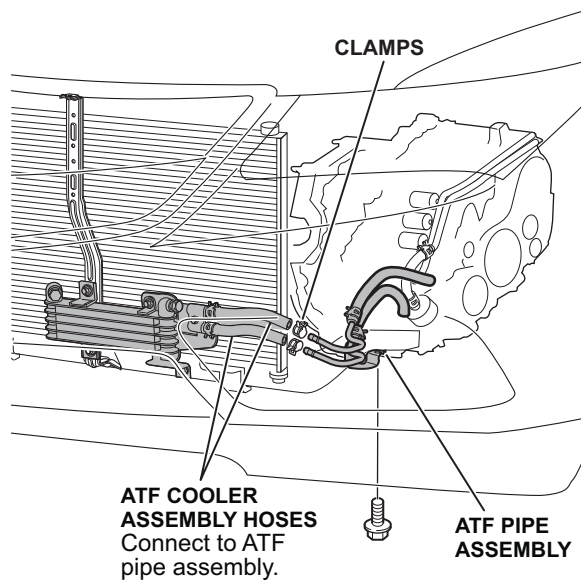
5. Slide the ATF cooler assembly up in front of the radiator as shown.



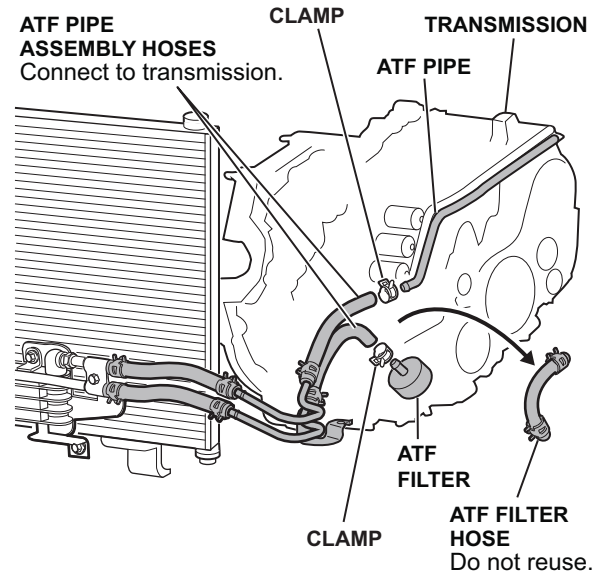
- Secure the ATF cooler with the three 6 x 20 mm washer bolts to the front bulk head and the center mount support bracket.



- Install the ATF pipe assembly bracket to the vehicle's frame with the 6 x 12 mm flange bolt.



- Remove the ATF filter hose and discard it. Then connect the upper ATF assembly hose to the ATF pipe, and the lower ATF assembly hose to the ATF filter as shown.



- Install all removed parts.
- Inspect the ATF and adjust the fluid level as needed. Refer to the "ATF Level - Check" section in the service information.
- Install the hang-tag around the rear view mirror.