



**INSTALLATION  
INSTRUCTIONS**

Accessory  
**FRONT BUMPER  
CHROME TRIM**  
P/N 08F23-TG7-100

Application  
**2016 PILOT**

Publications No.  
**VERSION 1**  
Issue Date  
**JUN 2015**

**PARTS LIST**

Left front bumper chrome trim



Right front bumper chrome trim



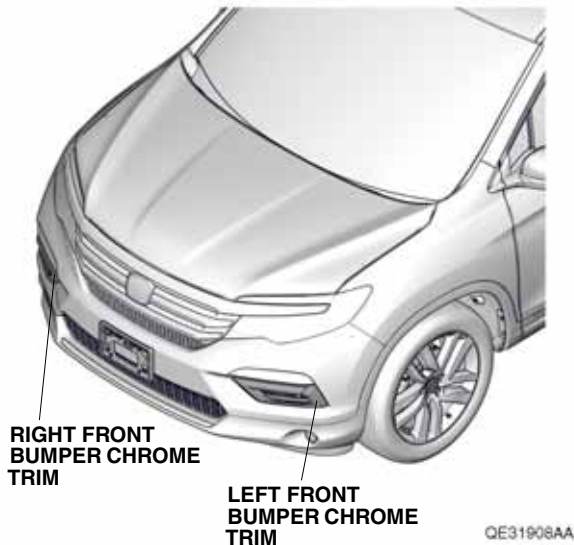
**TOOLS AND SUPPLIES REQUIRED**

- 10 mm Open end wrench
- Masking tape
- Shop towel

*The following tool is available through the Honda Tool and Equipment Program. On the iN, click on: Service > Service Bay > Tool and Equipment Program, then enter the number under "Search". Or, call 888-424-6857.*

- Plastic trim tool (T/N SILTRIMTL10)

**Illustration of the Front Bumper Chrome Trim on the Vehicle**

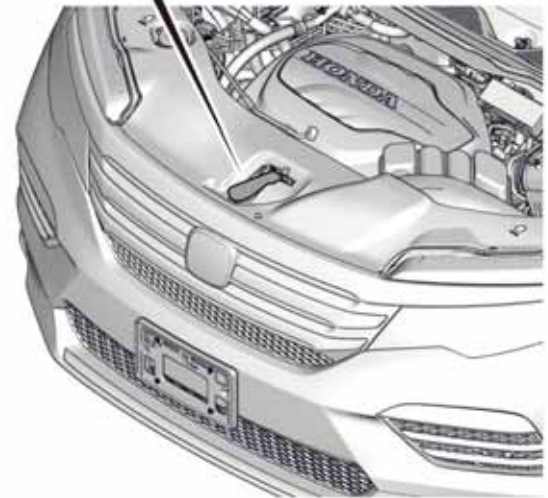
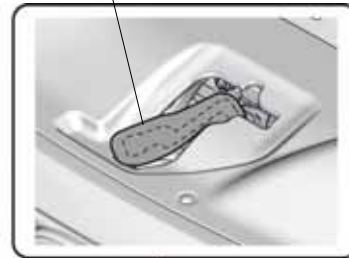


**INSTALLATION**

**Customer Information:** The information in this installation instruction is intended for use only by skilled technicians who have the proper tools, equipment, and training to correctly and safely add equipment to your vehicle. These procedures should not be attempted by "do-it-yourselfers."

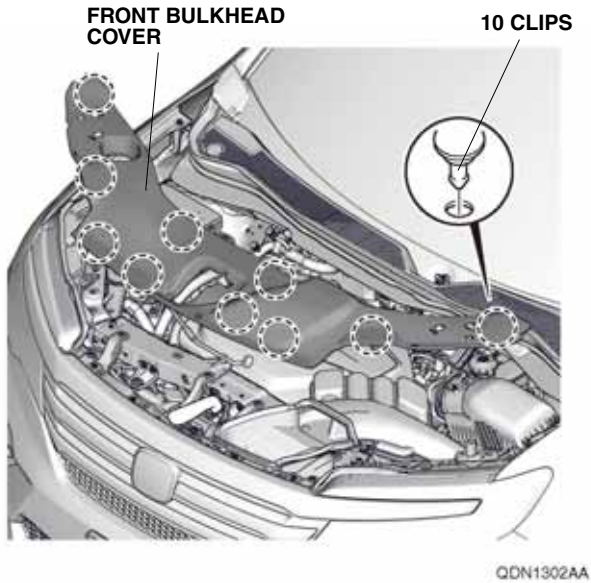
1. Wrap a shop towel around the hood latch

**HOOD LATCH**  
(Wrap with a shop towel.)

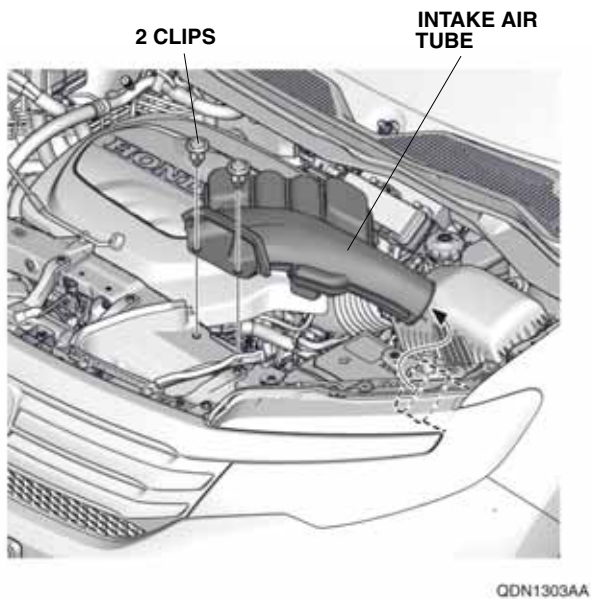


QDN1301AA

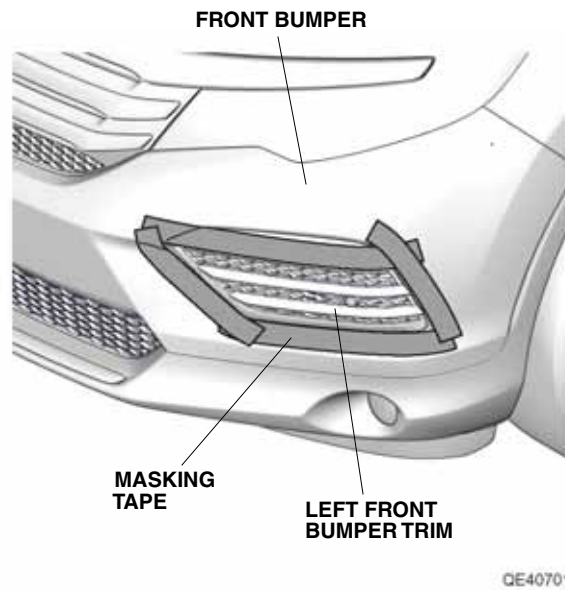
- Remove the front bulkhead cover.



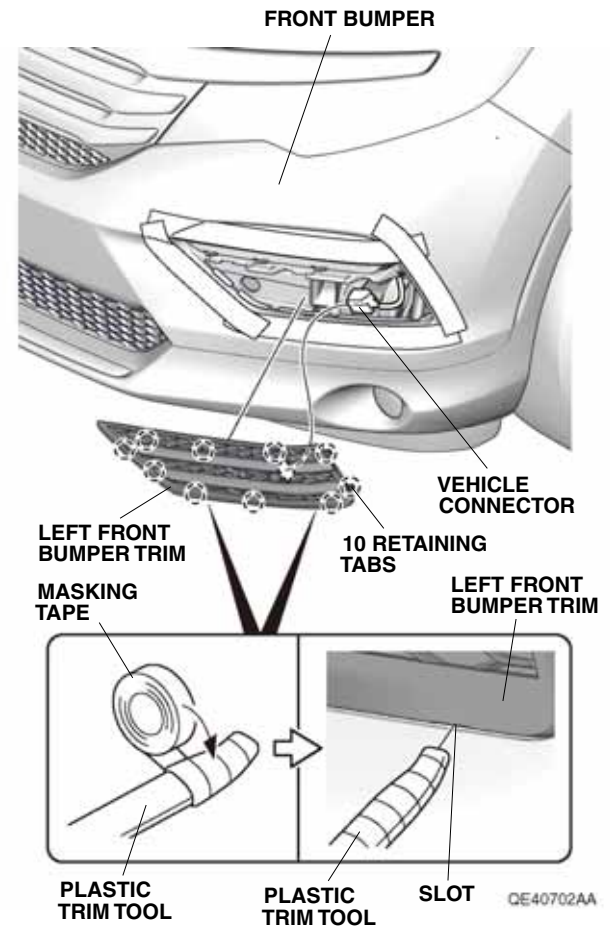
- Remove the intake air tube.
- Disconnect the negative cable from the battery.



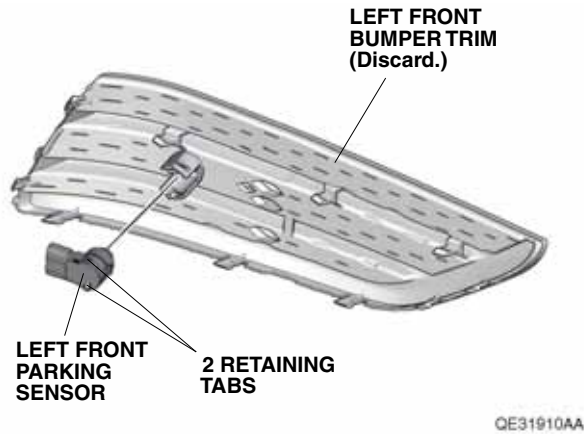
- Attach the masking tape to the front bumper as shown.



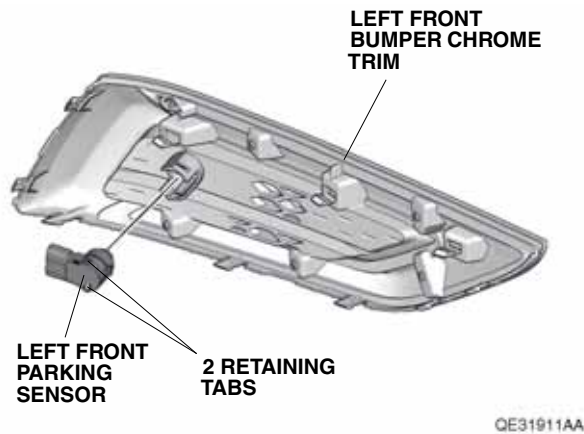
- Using a plastic trim tool wrapped with the masking tape, remove the left front bumper trim and unplug the vehicle connector.



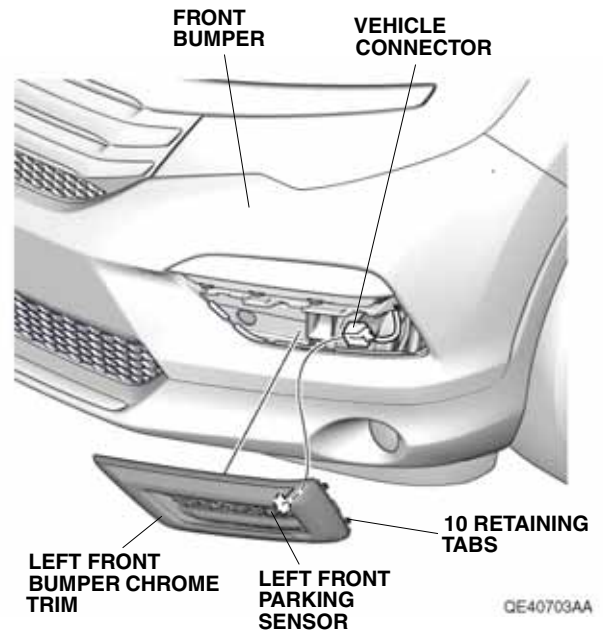
- Remove the left front parking sensor.



- Install the left front parking sensor removed from step 4 into the left front bumper chrome trim.



- Plug the vehicle connector into the left front parking sensor.



- Install the left front bumper chrome trim to the front bumper with ten retaining tabs.
- Repeat steps 2 through 7 on the right side of the front bumper.
- Check that all wire harnesses are routed properly and all connectors are plugged in.
- Reconnect the negative cable to the battery.
- Reinstall the front bulkhead cover and the intake air tube.
- Press and hold the audio power button for two seconds to restore the audio and navi (if equipped) system functions.
- Reset the clock on vehicle without navigation.
- Restore the systems back to normal operation as described in the Service Manual if necessary.