



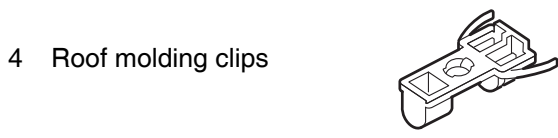
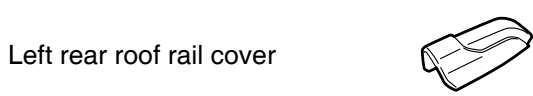
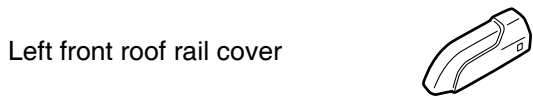
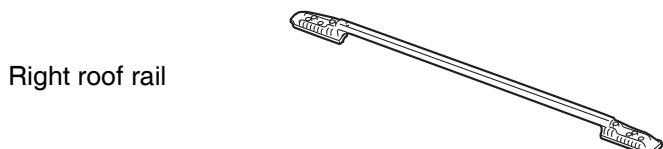
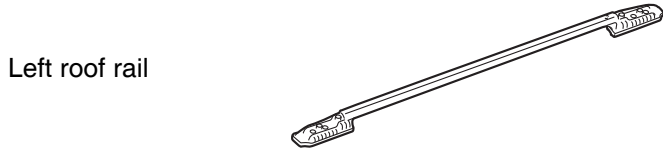
**INSTALLATION  
INSTRUCTIONS**

Accessory  
**ROOF RAILS**  
P/N 08L02-SZA-110A

Application  
**2015 PILOT**

Publications No.  
**All 51578**  
Issue Date  
**MAY 2014**

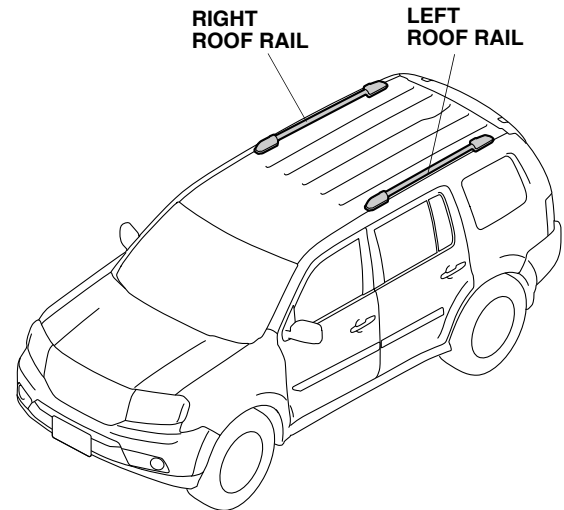
**PARTS LIST**



**TOOLS AND SUPPLIES REQUIRED**

- Phillips screwdriver
  - Flat-tip screwdriver
  - Shop towel
  - Needle nose pliers
  - T-30 Torx driver
  - Tape measure
  - File
  - Drill
  - 3 mm and 10 mm Drill bits
  - Pushpin
  - Eye protection (face shield, safety goggles, etc.)
- The following tools are available through the Honda Tool and Equipment Program. On the iN, click on: Service > Service Bay > Tool and Equipment Program, then enter the number under "Search." Or, call 888-424-6857.*
- Air saw (Snap-on AT192A)
  - Plastic trim tool (T/N SILTRIMTL10)

**Illustration of the Roof Rails on the Vehicle**



## INSTALLATION

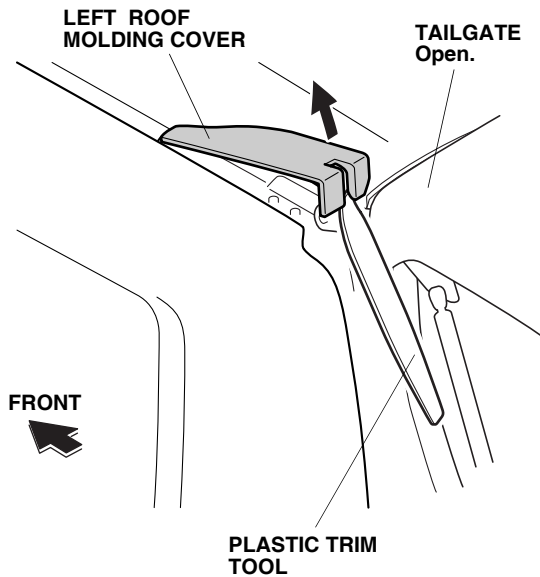
**Customer Information:** The information in this installation instruction is intended for use only by skilled technicians who have the proper tools, equipment, and training to correctly and safely add equipment to your vehicle. These procedures should not be attempted by “do-it-yourselfers.”

### NOTE:

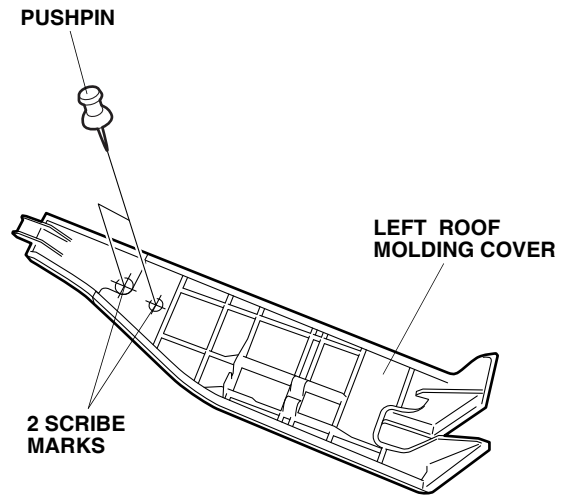
- The weight of the cargo must not exceed the maximum weight capacity of 75 kg (165 lbs).
- Be extremely careful not to damage the roof and other finished surfaces of the body when installing the roof rails.

### Installing the Roof Rails

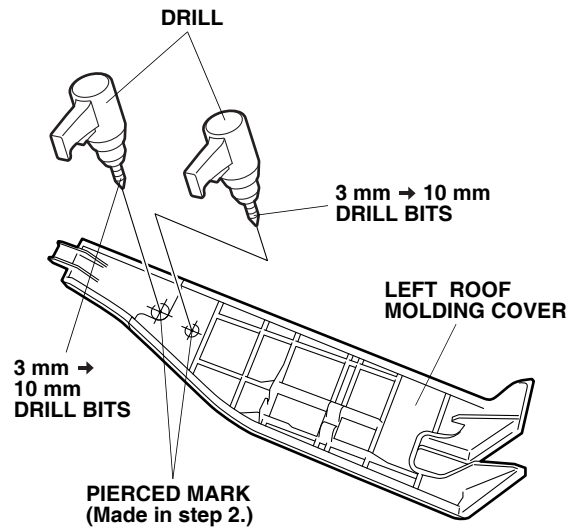
1. Open the tailgate. Using a plastic trim tool, pry up on the rear end of the left roof molding cover.



2. Using a pushpin, pierce two holes at the scribe marks on the left roof molding cover.

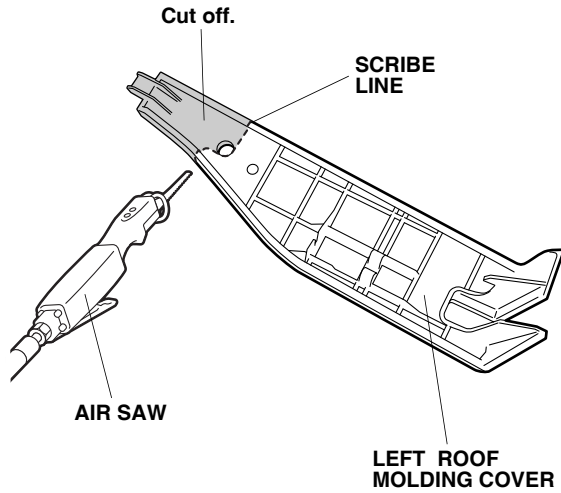


3. While wearing eye protection, drill two holes in the left roof molding cover with a 3 mm drill bit at the pierced marks made in step 2.

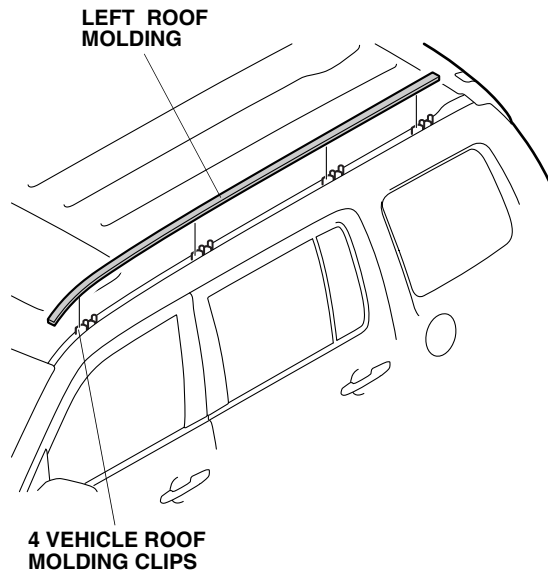


4. Enlarge the two holes with a 10 mm drill bit. Remove any burrs.

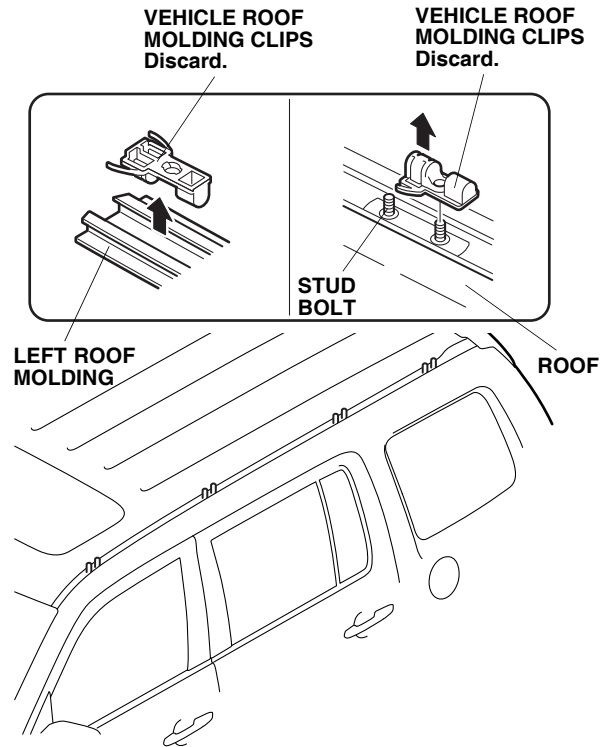
5. While wearing eye protection, use an air saw to cut the left roof molding cover along the scribe line as shown. Remove any burrs.



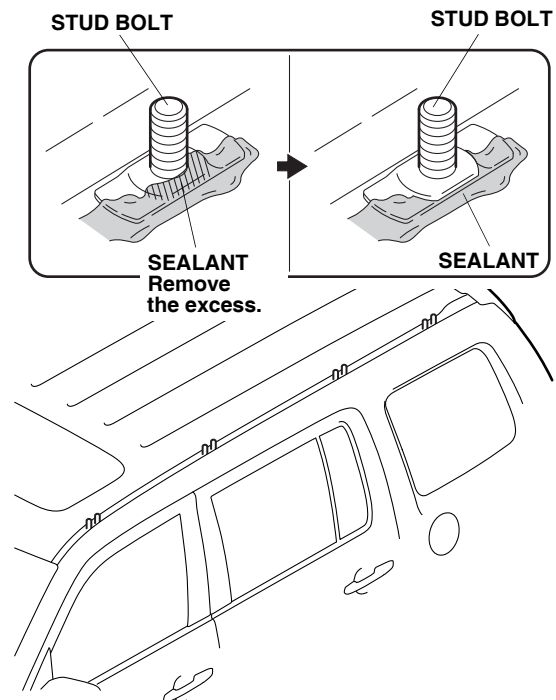
6. Remove the left roof molding by carefully lifting it upward from the four vehicle roof molding clips.



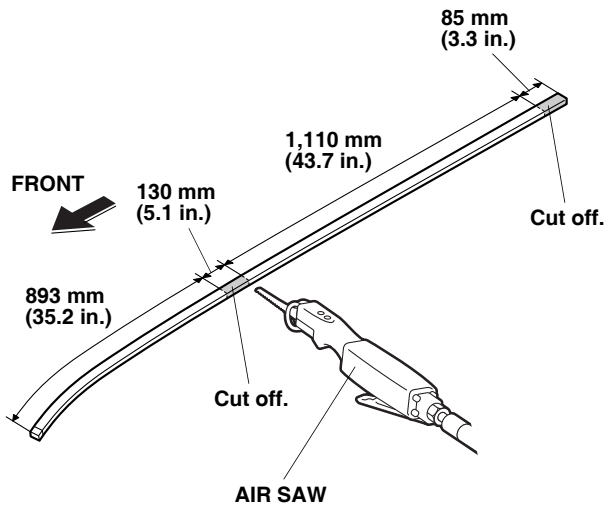
7. Remove and discard the four vehicle roof molding clips from the left roof molding or the stud bolt.



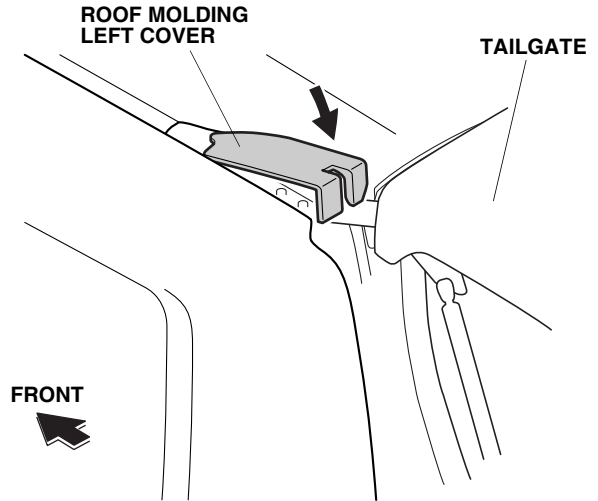
8. Remove any excess sealant from the stud bolts.



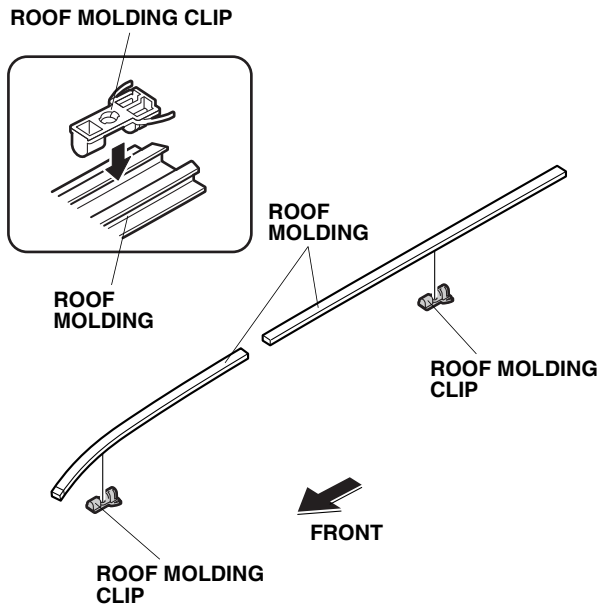
9. While wearing eye protection, use an air saw to cut the roof molding at the measurements shown.



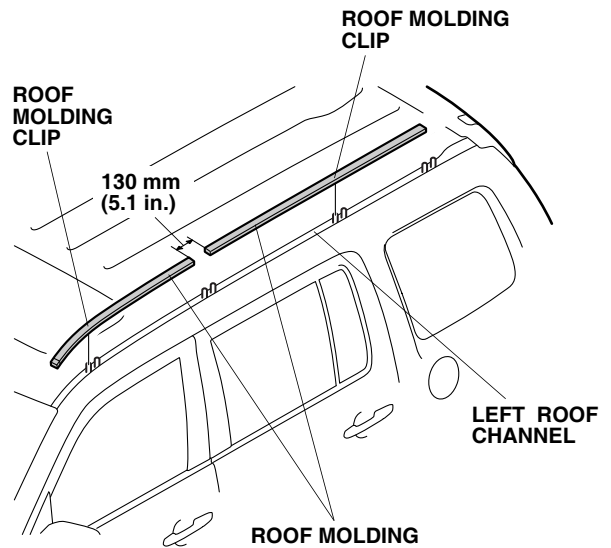
11. Reinstall the roof molding left cover.



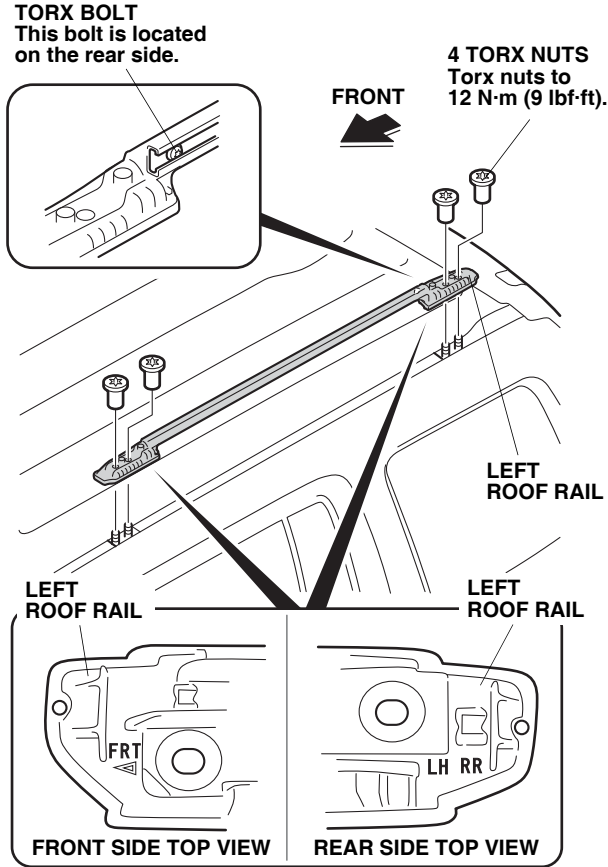
10. Install one new roof molding clip to each roof molding.



12. Reinstall the roof moldings back into the left roof channel using the two new roof molding clips installed in step 10.

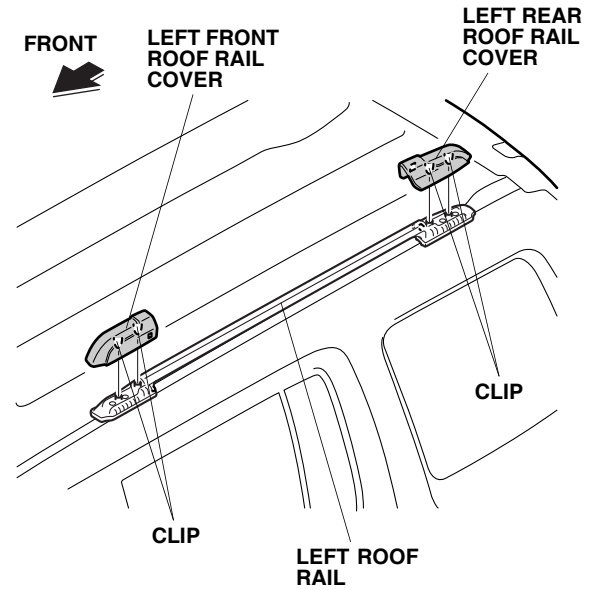


13. Install the left roof rail with four Torx nuts. Make sure the roof rail is installed in the correct position. Torque the Torx nuts to 12 N·m (9 lbf·ft).



14. Repeat steps 1 through 13 for the right side of the vehicle.

15. Install the left front roof rail cover and the left rear roof rail cover to the left roof rail (two clips for each cover).



16. Install the right roof rail covers the same way.