



## INSTALLATION INSTRUCTIONS

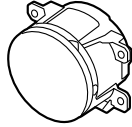
Accessory  
FOG LIGHTS  
P/N 08V31-SZA-100C

Application  
2014 PILOT  
(LX ONLY)

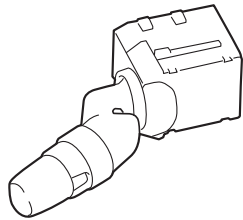
Publications No.  
All 50253  
Issue Date  
AUG 2013

### PARTS LIST

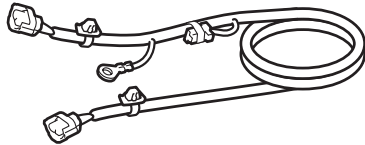
2 Fog lights



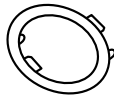
Headlight switch



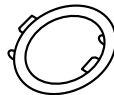
Fog light harness



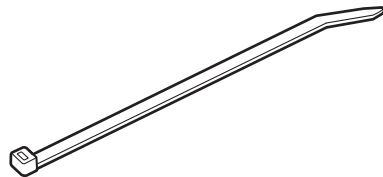
Left cover



Right cover



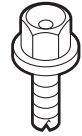
11 Wire ties



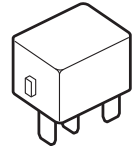
4 Self-tapping screws



Ground bolt



Relay



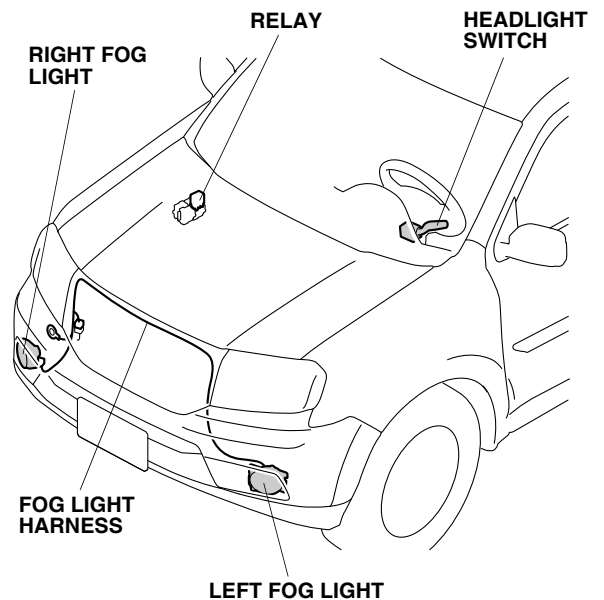
### TOOLS AND SUPPLIES REQUIRED

- Phillips screwdriver
- Stubby Phillips screwdriver
- Ratchet
- 10 mm Socket
- 10 mm Open end wrench
- Diagonal cutters
- Blanket

*The following tool is available through the Honda Tool and Equipment Program. On the iN, click on: Service > Service Bay > Tool and Equipment Program, then enter the number under "Search". Or, call 888-424-6857.*

Trim tool set (T/N SOJATP2014)

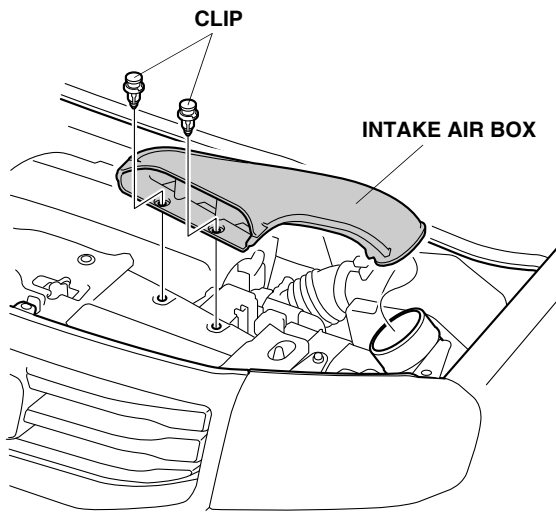
### Illustration of the Fog Lights on the Vehicle



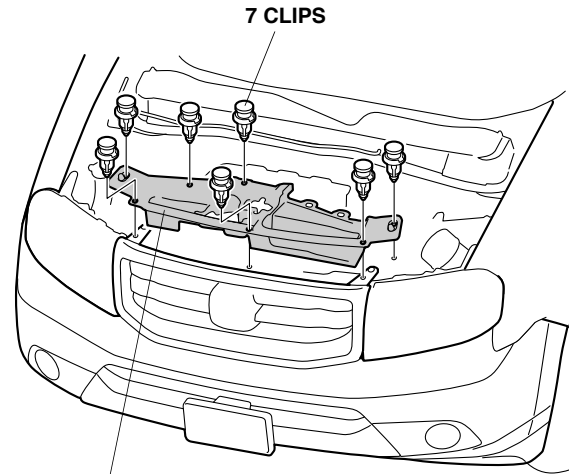
## INSTALLATION

**Customer Information:** The information in this installation instruction is intended for use only by skilled technicians who have the proper tools, equipment, and training to correctly and safely add equipment to your vehicle. These procedures should not be attempted by “do-it-yourselfers.”

1. Make sure you have the anti-theft code for the radio, then write down the radio station presets.
2. Disconnect the negative cable from the battery.
3. Open the hood, and remove the intake air box (two clips).

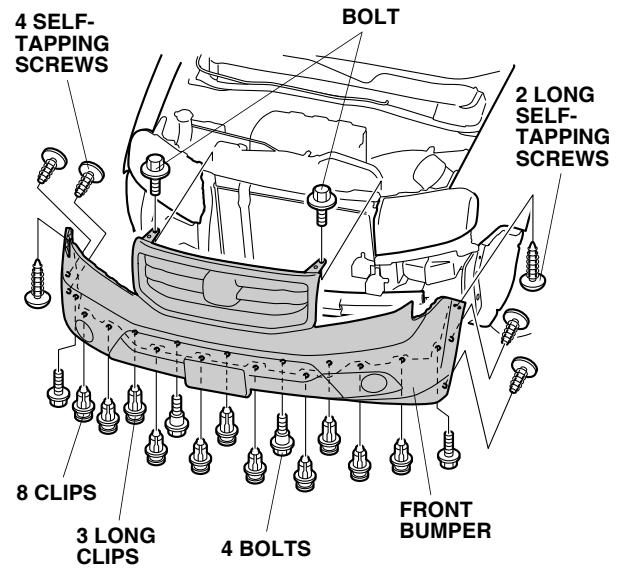


4. Remove the front bulkhead cover (seven clips).

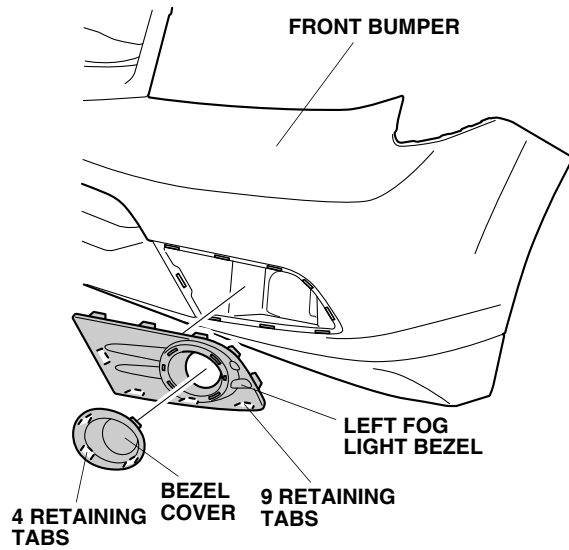


**FRONT BULKHEAD COVER**

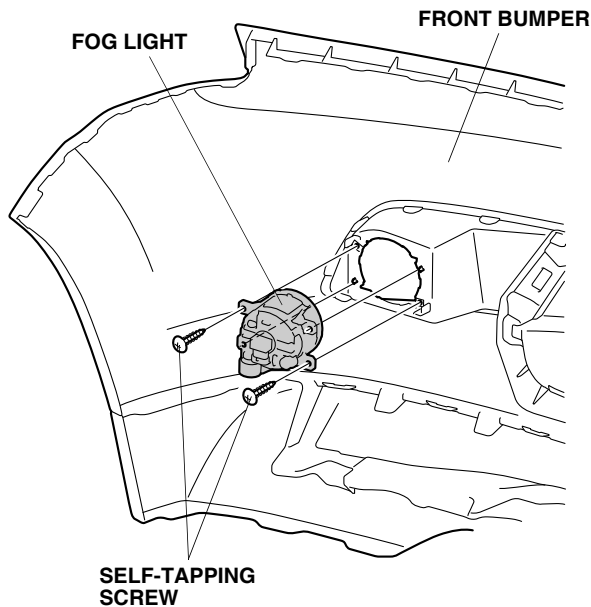
5. With the help of an assistant, remove the front bumper (eight clips, three long clips, four self-tapping screws, two long self-tapping screws, four bolts, and two bolts). Place the front bumper on a blanket after removal.



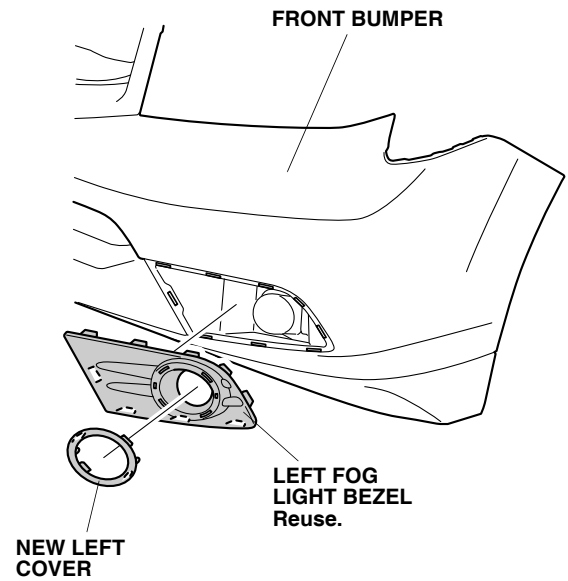
6. Remove the bezel cover from the left fog light bezel (four retaining tabs).



7. Remove the left fog light bezel from the front bumper (nine retaining tabs).
8. Repeat steps 6 and 7 on the right side of the front bumper.
9. Install the fog light to the front bumper using two self-tapping screws.

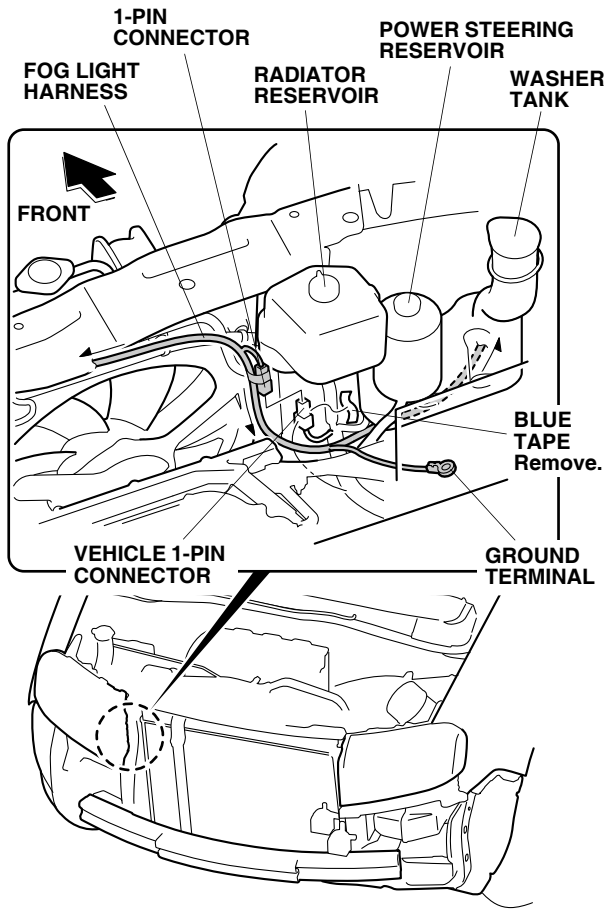


10. Reinstall the left fog light bezel to the front bumper.



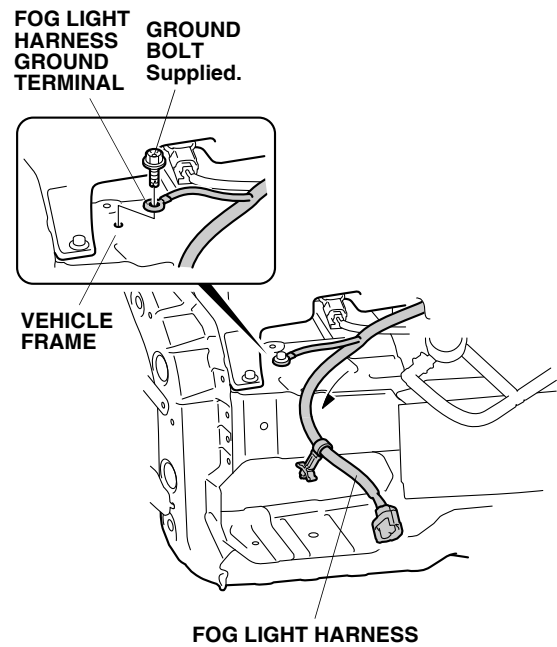
11. Install the new left cover to the left fog light bezel.
12. Repeat steps 9 through 11 to install the right fog light assembly to the right side of the front bumper.

13. Under the radiator reservoir, locate the vehicle 1-pin connector blue-taped to the vehicle harness. Remove the blue tape to free the connector.

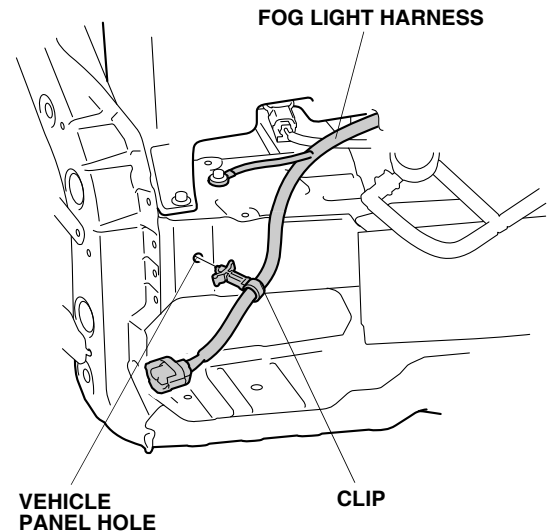


14. Get the fog light harness. Plug the fog light harness 1-pin connector into the vehicle 1-pin connector you just freed.
15. Route the ground terminal from the fog light harness down under the washer tank.

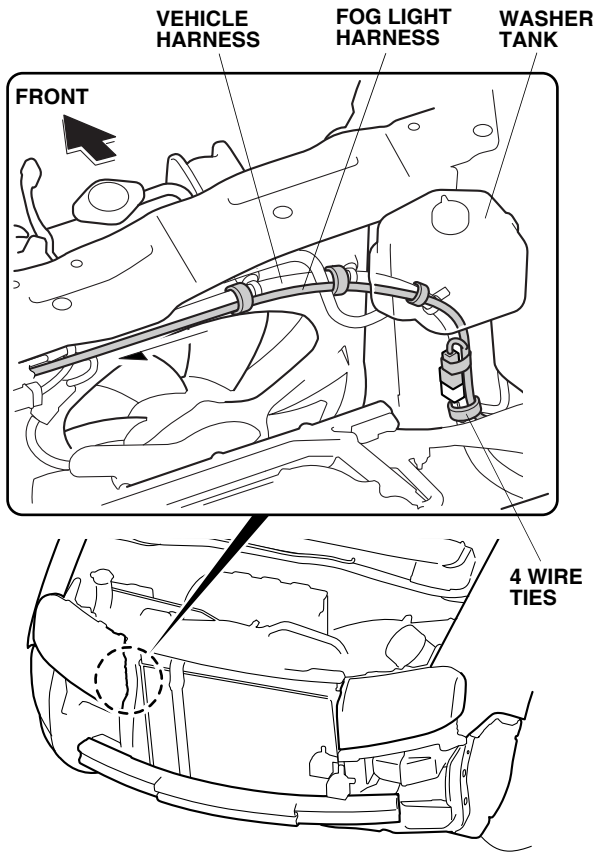
16. Route the fog light harness forward, and secure the fog light harness ground terminal to the vehicle frame with the ground bolt supplied.



17. Secure the clip on the fog light harness to the vehicle panel hole.

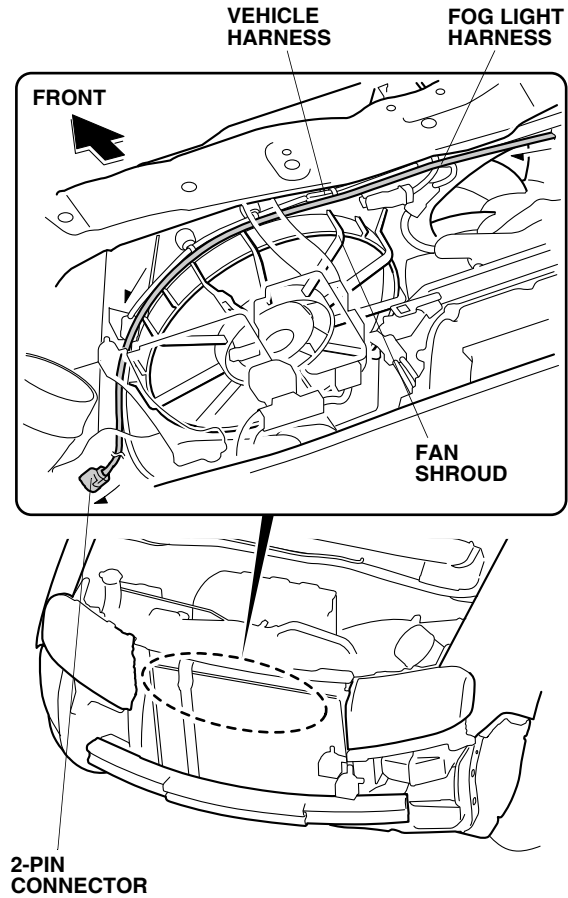


18. Route the other end of the fog light harness 2-pin connector along the vehicle harness.

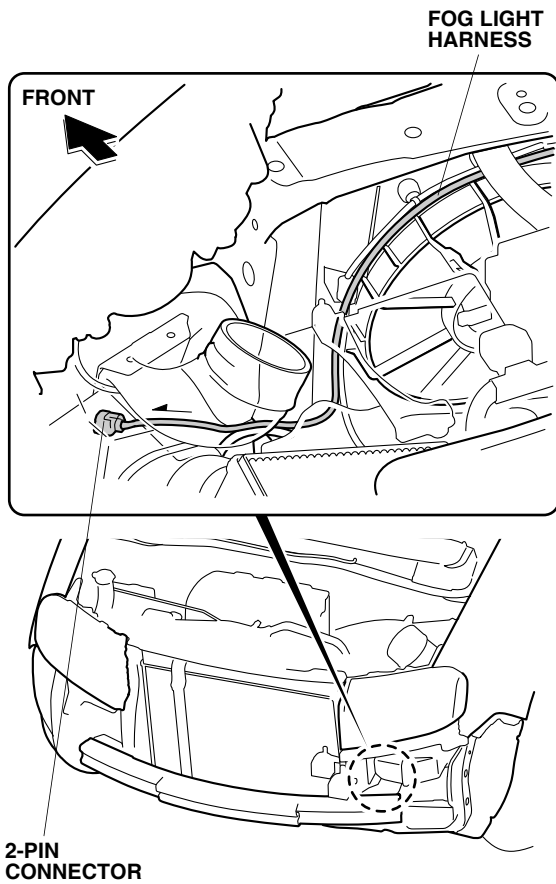


19. Secure the fog light harness to the vehicle harness using four wire ties.

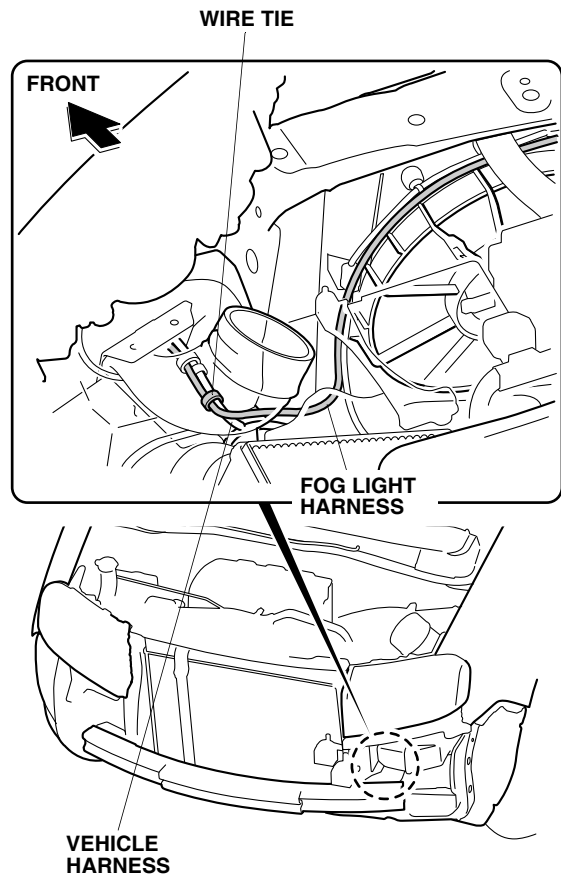
20. Route the fog light harness 2-pin connector over the fan shroud, and along the vehicle harness toward the left side of the vehicle.



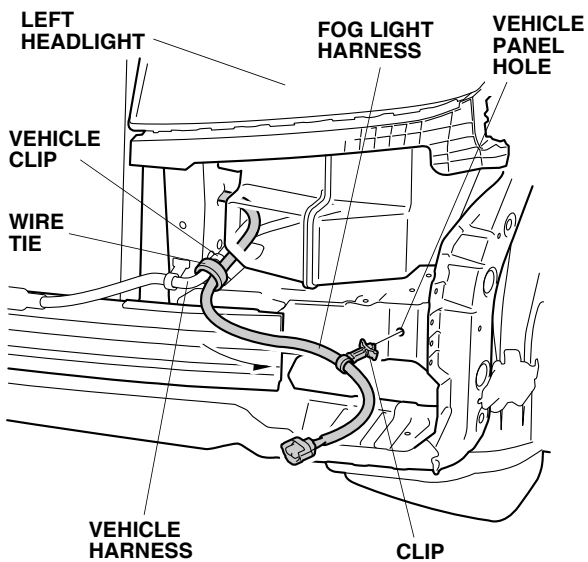
21. Continue to route the fog light harness 2-pin connector down and through the front bulkhead.



24. Secure the fog light harness to the vehicle harness using one wire tie in the area shown.

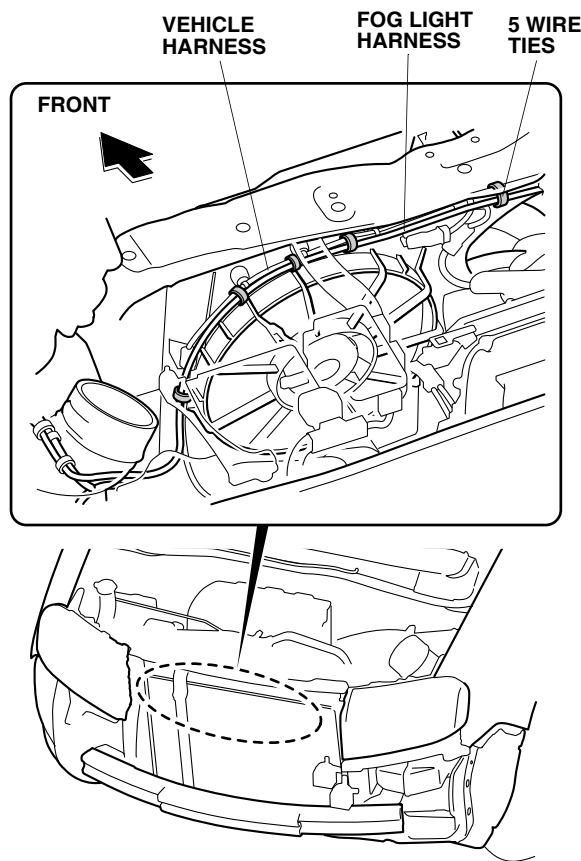


22. Secure the clip on the fog light harness to the vehicle panel hole.

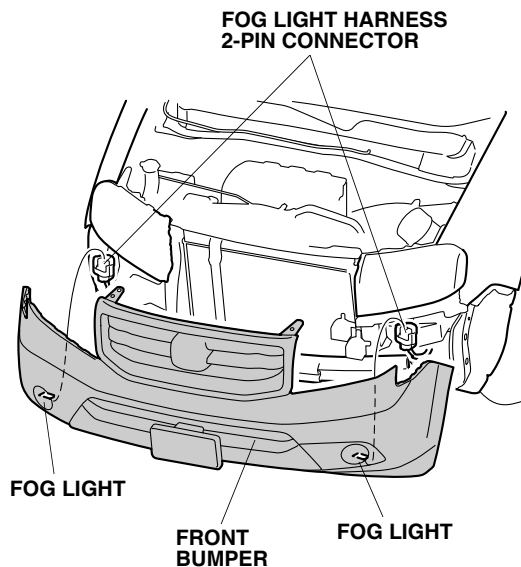


23. Secure the fog light harness to the vehicle harness using one wire tie.

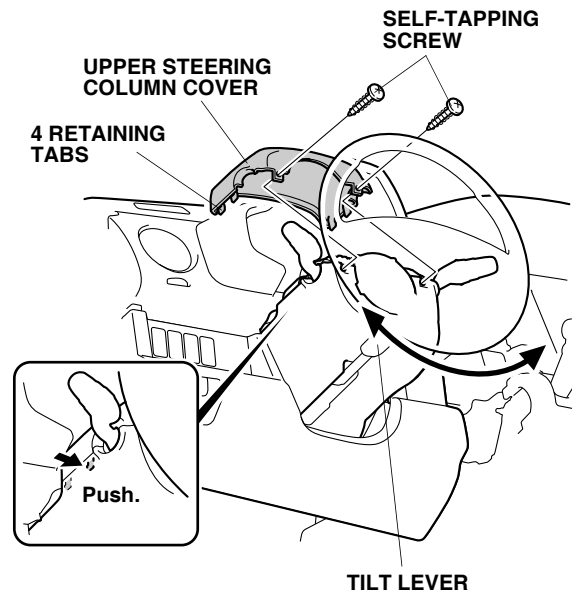
25. Secure the fog light harness to the vehicle harness using five wire ties in the areas shown.



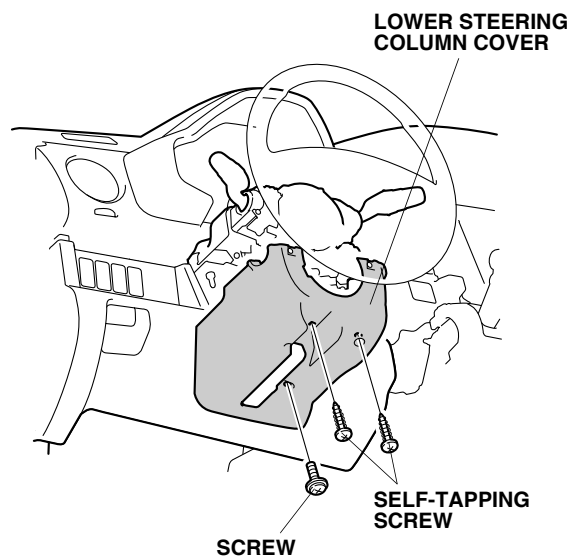
26. With the help of an assistant, bring the front bumper to the vehicle, and plug two fog light harness 2-pin connectors to two fog lights. Reinstall the front bumper.



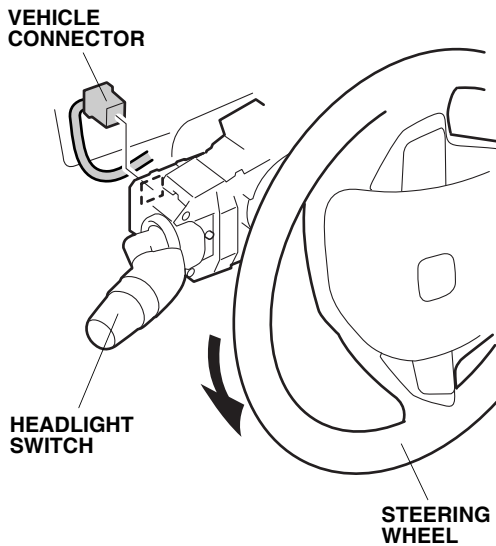
27. Lower the tilt lever and pull the steering wheel out.



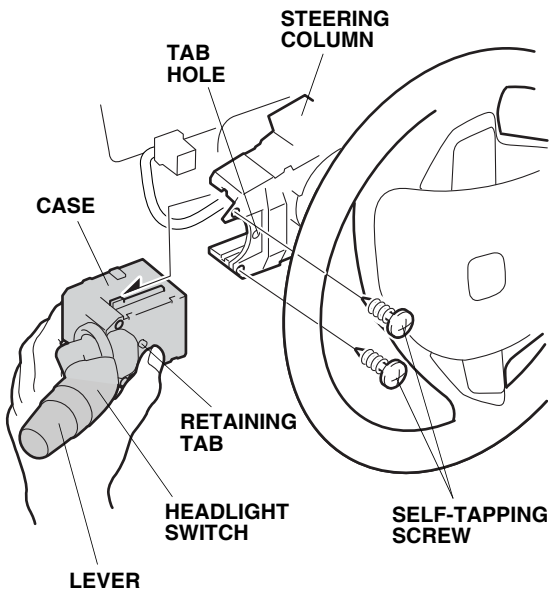
28. Remove the upper steering column cover:
- Remove two self-tapping screws.
  - Push the upper cover in at the areas shown to release the four retaining tabs.
29. Remove the lower steering column cover (two self-tapping screws and one screw).



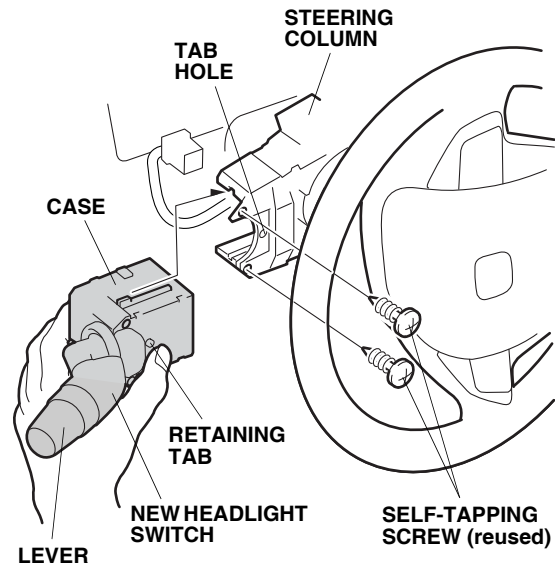
30. Turn the steering wheel 90° counterclockwise, and unplug the vehicle connector from the headlight switch.



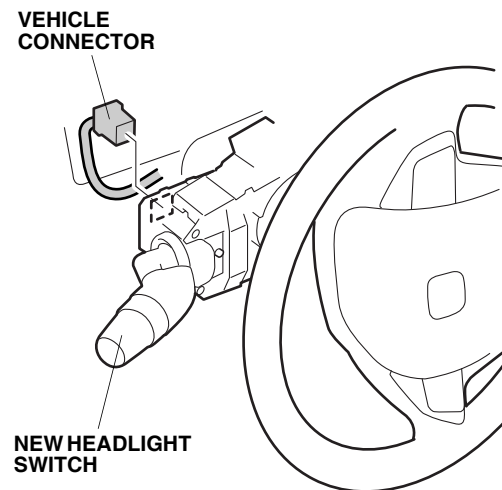
31. Remove two self-tapping screws from the headlight switch. While pushing the retaining tab, remove the headlight switch from the steering column. NOTE: Do not pull on the lever when removing the switch.



32. Hold the retaining tab, then install the new headlight switch to the steering column. Secure it with the two self-tapping screws. NOTE: Do not push on the lever when installing the case.

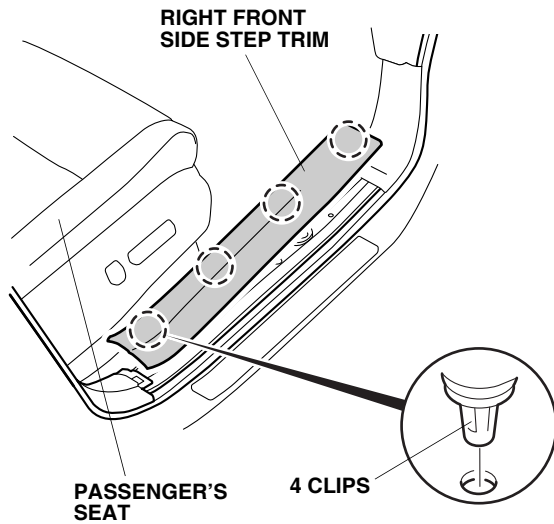


33. Plug the vehicle connector into the new headlight switch.

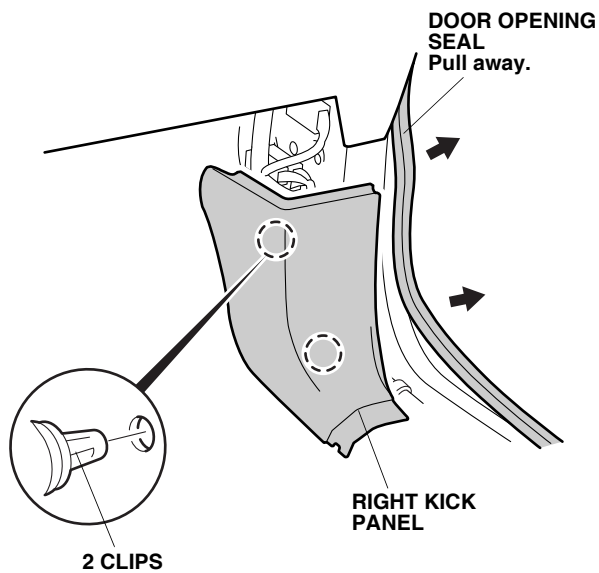




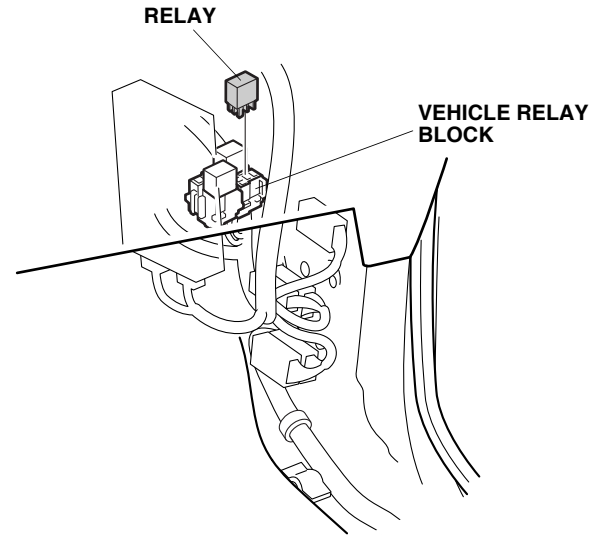
34. Remove the right front side step trim (four clips).



35. Pull away the door opening seal, and remove the right kick panel (two clips).




36. Install the relay into the vehicle relay block.

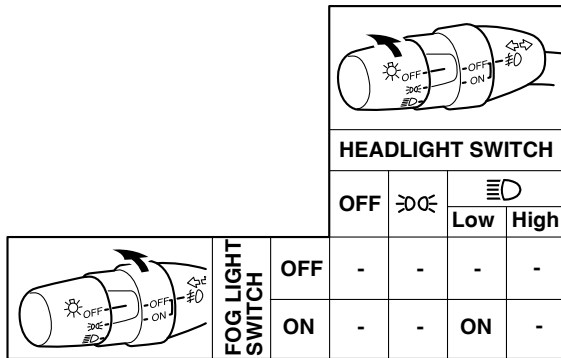


37. Check that all wire harness and cables are routed properly and that all connectors are plugged in.
38. Reinstall all removed parts.
39. Reconnect the negative cable to the battery.
40. Enter the anti-theft code for the audio unit and navigation system if equipped and reset the radio station presets.
41. Reset the clock on vehicles without navigation.

## Use and Care

### How to Operate the Fog Lights

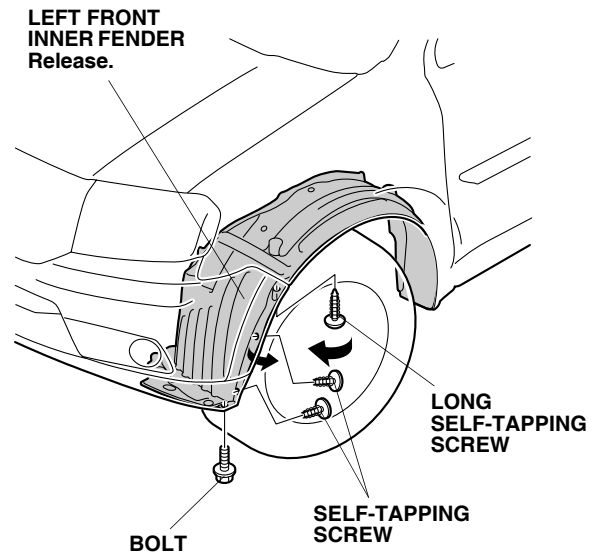
- Turn the headlight switch to the “D” position (headlights on low beam).
- Turn the fog light switch on (indicator is on).
- If the fog lights do not turn on, check the fuse and all the connectors, including the ground cable.



NOTE: The fog light lenses can cloud when the outside temperature is cold; this is normal and should go away in warm weather.

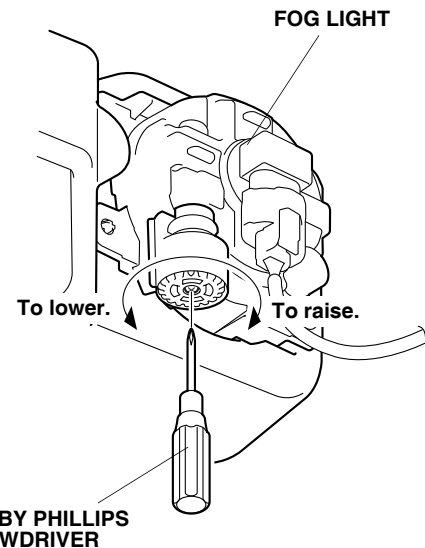
### Fog Light Aiming Adjustment

42. Release the left front inner fender (one long self-tapping screw, two self-tapping screws and one bolt).



43. Adjust the fog light:

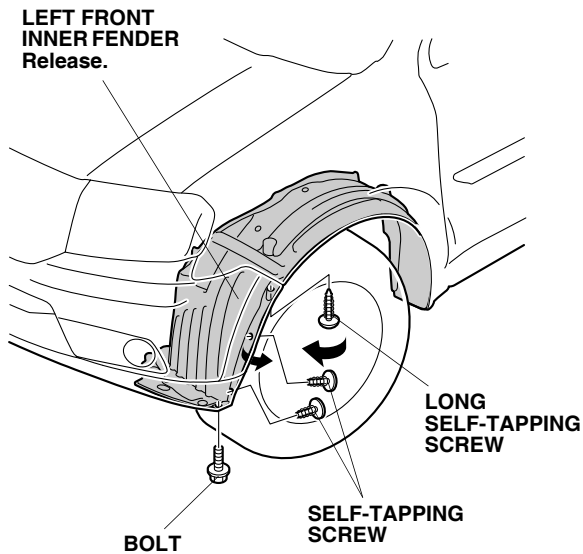
- To adjust, turn the aiming adjustment knob in or out until the correct aim is obtained. Adjust the aim according to local laws and regulations.
- Adjust the aim according to local laws and regulations.



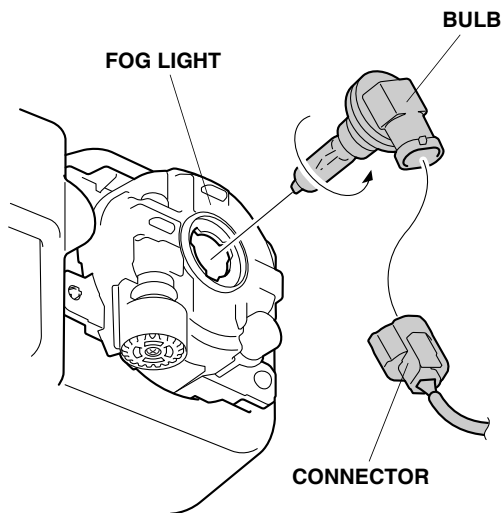
44. Reinstall all removed parts.

## BULB REPLACEMENT

1. Release the left front inner fender (one long self-tapping screw, two self-tapping screws and one bolt).



2. Insert your hand inside of the left front inner fender. Unplug the connector from the fog light.

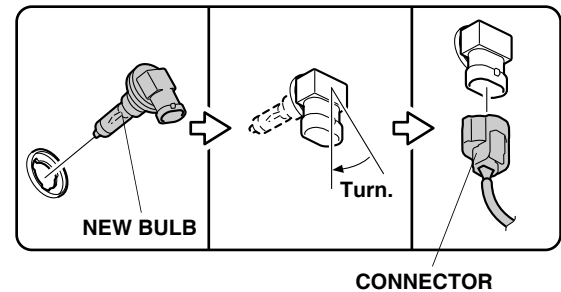
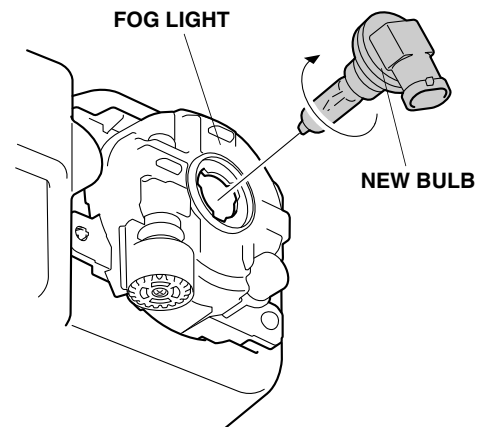


3. Remove the bulb.

4. Install the new bulb to the fog light.
  - Use only a Genuine Honda halogen light bulb of specified wattage.

Rating: 12V 55W H11 Halogen Light Bulb  
P/N 33165-STK-A01

- Do not touch the bulb. Oily or greasy substances on the bulb can shorten its service life due to the heat produced when the bulb is turned on. If the bulb is accidentally touched, wipe it clean with a soft cloth that has been dampened with a denatured alcohol or a mild detergent solution.
- When installing the new bulb, align the cutout in the fog light with the tab on the new bulb and turn the new bulb clockwise until it locks. If not properly aligned, the fog light may annoy oncoming driver's.



5. Reinstall the removed parts. Check that the wire harnesses are not pinched. Be sure to tighten the clip and bolts securely.
6. Check the operation of the fog light; adjust the aim if necessary.