



## INSTALLATION INSTRUCTIONS

Accessory  
**TRAILER HARNESS**

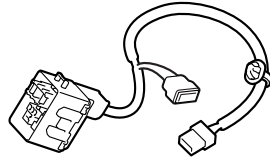
Application  
**2014 PILOT**

Publications No.  
**All 50273**  
Issue Date  
**AUG 2013**

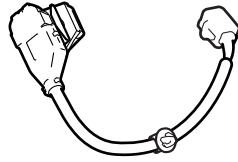
### PARTS LIST

#### Trailer Harness Kit P/N 08L91-SZA-100A

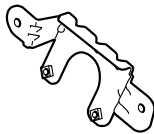
Control unit harness



Trailer socket harness



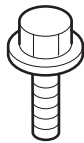
Socket bracket



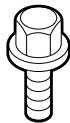
30A Fuse



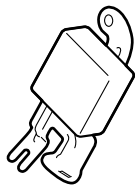
2 Washer-bolts, 6 x 16 mm



4 Flange bolts, 6 x 16 mm



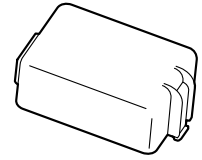
Control unit



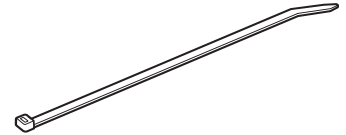
2 Relays



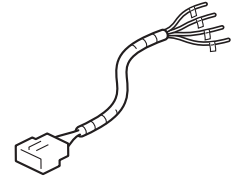
Relay cover



4 Wire ties

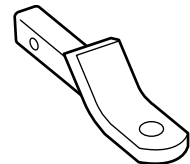


Subharness

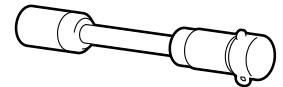


#### Towing Kit P/N 08L92-SZA-100A

Ball mount



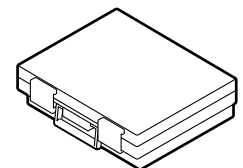
Locking pin



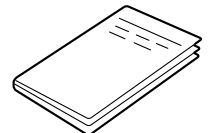
2 Keys



Box



Accessory User's Information Manual



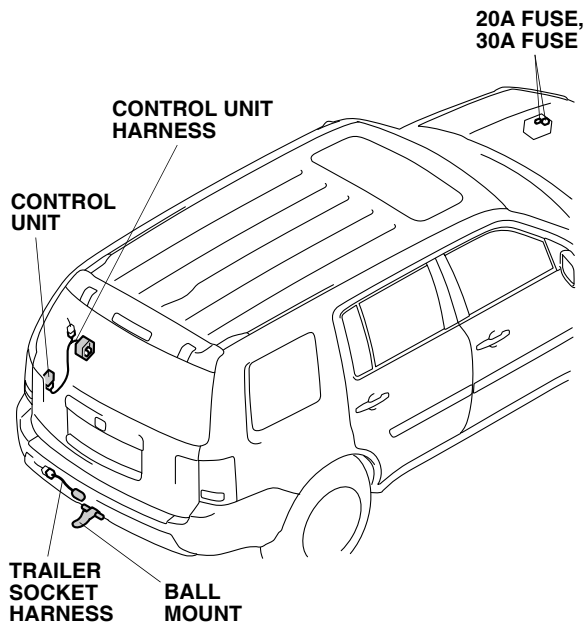
## TOOLS AND SUPPLIES REQUIRED

Phillips screwdriver  
Ratchet  
10 mm and 14 mm Sockets  
10 mm Open end wrench  
Utility knife  
Diagonal cutters  
File  
Locktite  
Torque wrench

*The following tool is available through the Honda Tool and Equipment Program. On the iN, click on: Service > Service Bay > Tool and Equipment Program, then enter the number under "Search". Or, call 888-424-6857.*

Plastic trim tool (T/N SILTRIMTL10)

### Illustration of the Trailer Harness on the Vehicle

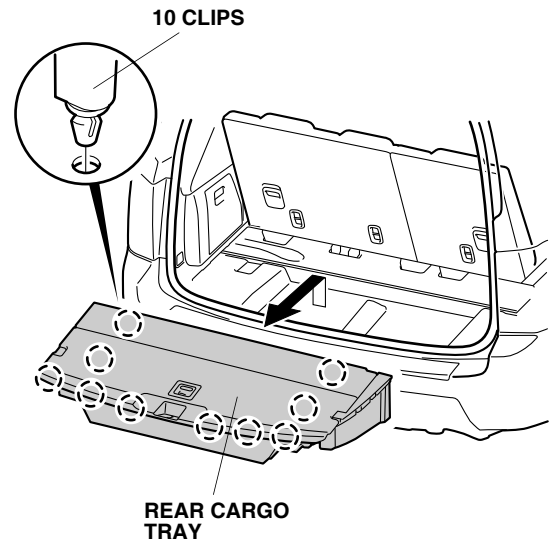


## INSTALLATION

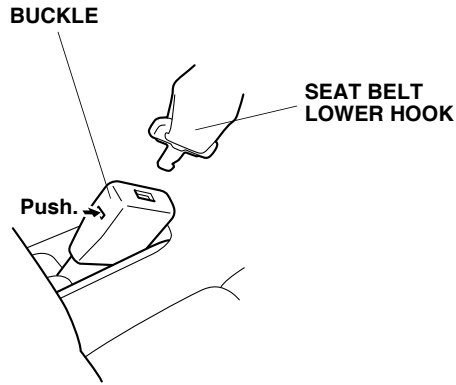
**Customer Information:** The information in this installation instruction is intended for use only by skilled technicians who have the proper tools, equipment, and training to correctly and safely add equipment to your vehicle. These procedures should not be attempted by "do-it-yourselfers."

### NOTE:

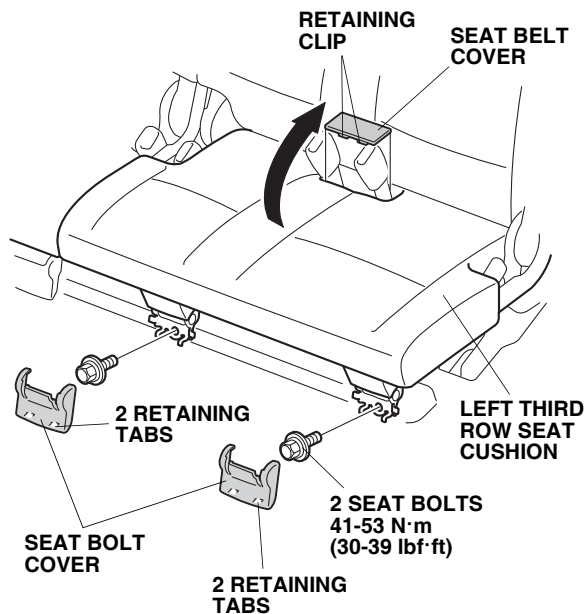
1. Make sure you have the anti-theft code for the audio unit and the navigation system (if equipped), then write down the radio station presets.
2. Disconnect the negative cable from the battery.
3. Remove the left third row seat:
  - Open the rear hatch, and remove the rear cargo tray (ten clips).



- Use a small flat-tip screwdriver, to push on the buckle to release the seat belt lower hook from the left third row seat.

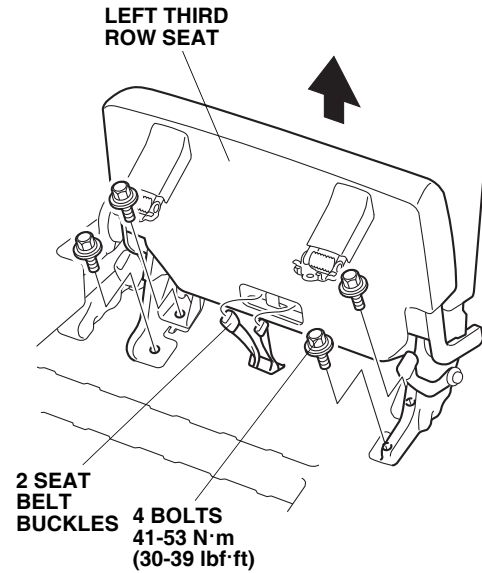


- Remove the two front seat bolt covers from the left third row seat (two retaining tabs for each cover).



- Remove the two front seat bolts from the third seat cushion, then raise the third seat cushion assembly.

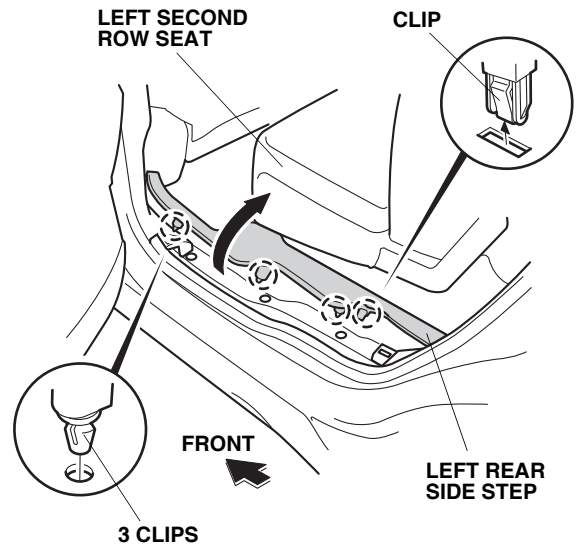
- Tilt the left third row seat cushion assembly up, route for two seat belt buckles through the opening in the left third row seat.



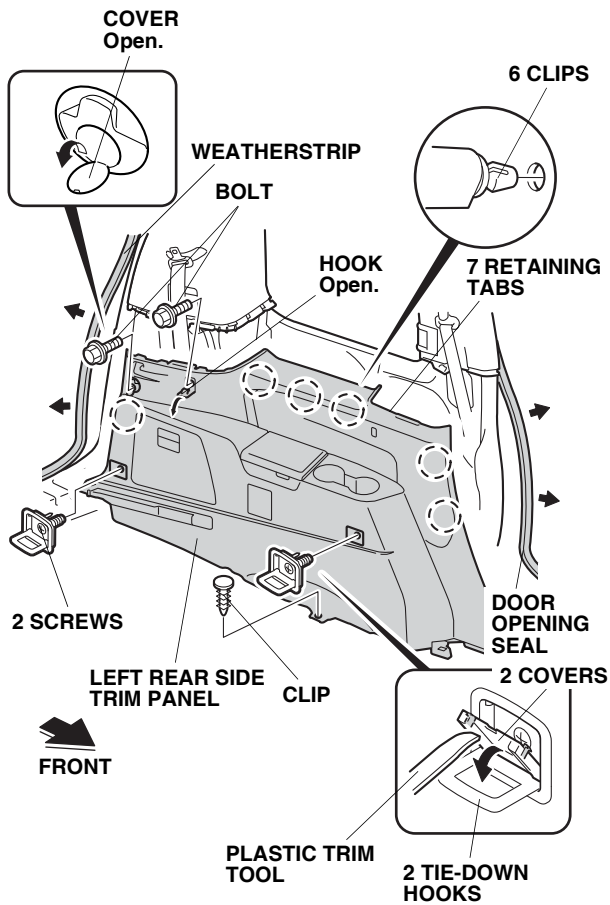
- With the left third row seat cushion assembly still tilted up, remove the remaining four seat bolts. Remove the left third row seat.

NOTE: When reinstalling the third row seat, apply Honda locktite to seat bolt threads and torque the seat bolts to 41-53 N·m (30-39 lbf·ft)

- Remove the left rear side step (four clips).

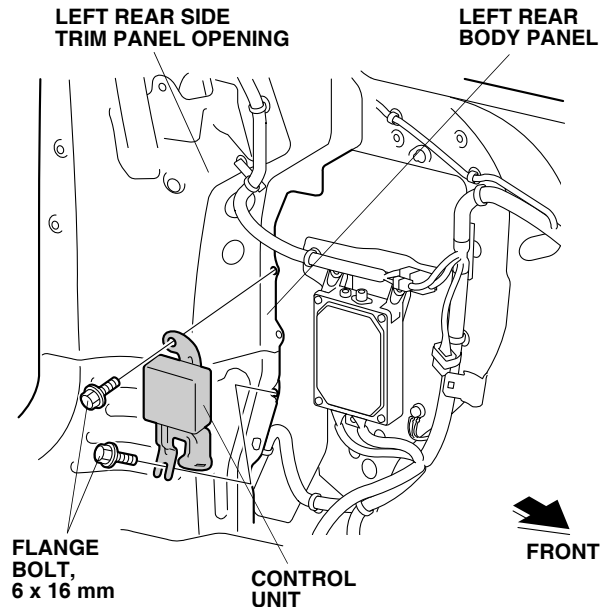


- Using the plastic trim tool, open the two tie-down hook covers. Remove two tie-down hooks from the left rear side trim panel (one screw for each cover).

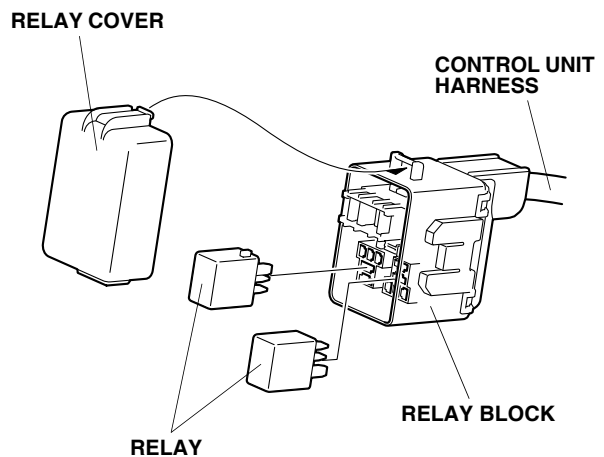


- Pull away the weatherstrip and door opening seal at the front and rear of the left rear side trim panel. Remove the left rear side trim panel (six clips).

- Locate the threaded holes in the left rear body panel, and install the control unit using two 6 x 16 mm flange bolts.

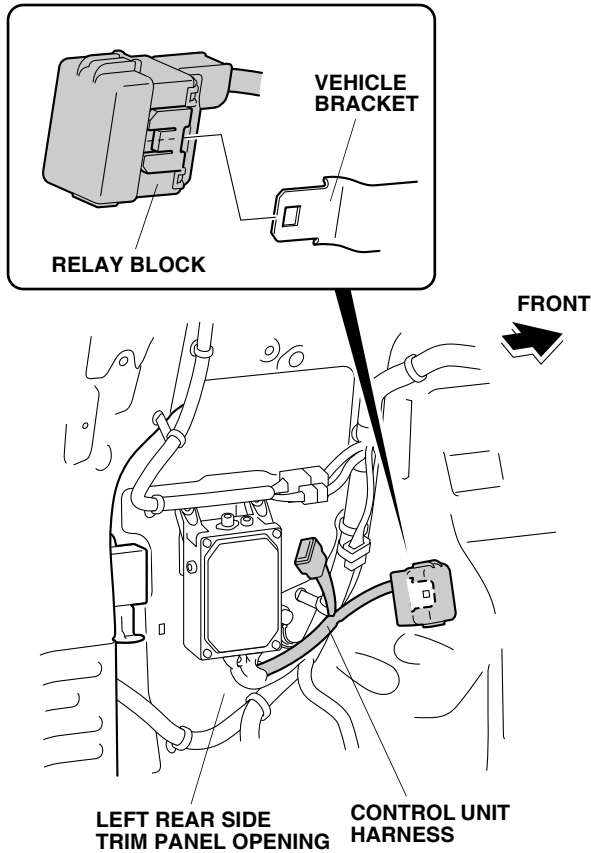


- Get the control unit harness. Plug the two relays into the relay block on the control unit harness.

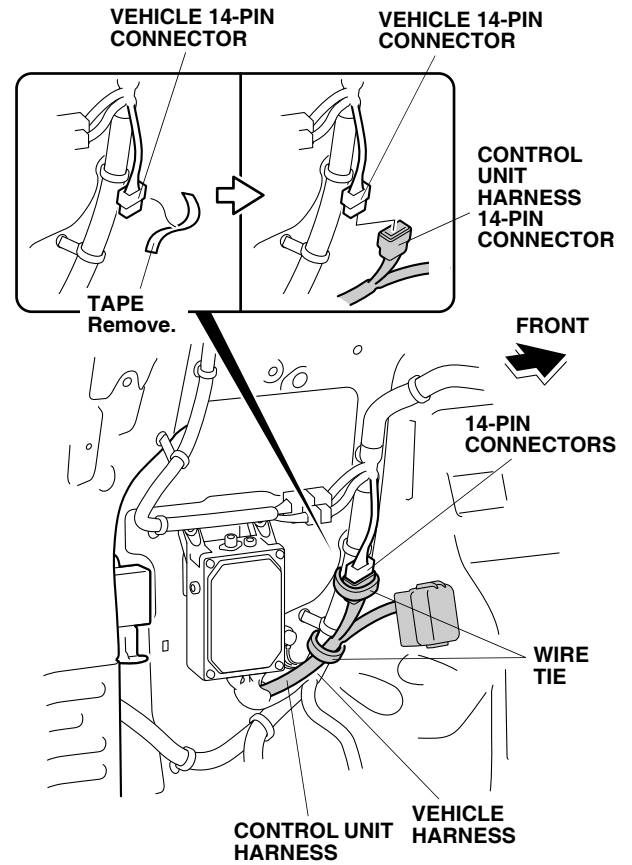


- Install the relay cover to the relay block on the control unit harness.

10. Locate the vehicle bracket, and install the clip from the relay block to the vehicle bracket.

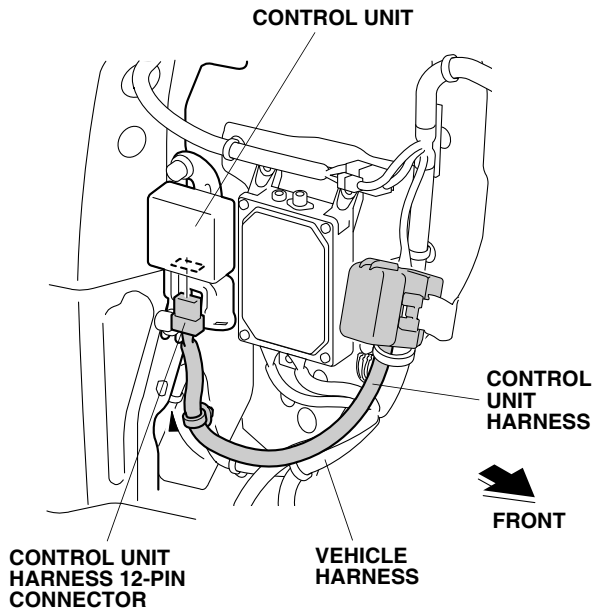


11. Locate the 14-pin connector taped to the vehicle harness. Remove the tape, and plug the control unit harness 14-pin connector into the vehicle 14-pin connector.

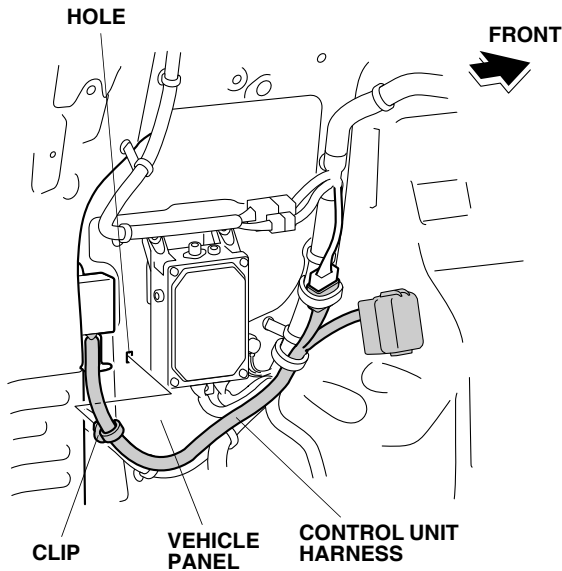


12. Secure the 14-pin connectors to the vehicle harness with one wire tie.
13. Secure the control unit harness to the vehicle harness with one wire tie.

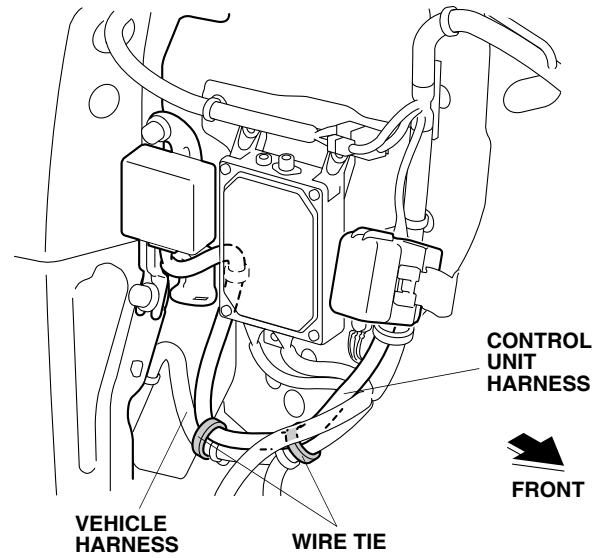
14. Route the control unit harness 12-pin connector as shown, and plug it into the control unit.



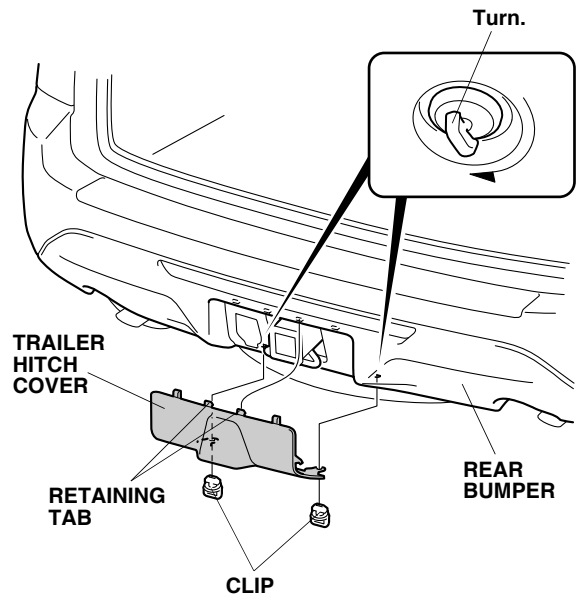
15. Secure the clip on the control unit harness to the hole in the vehicle panel.



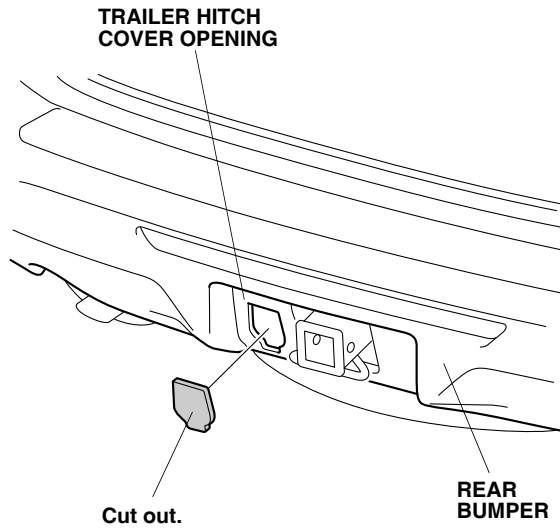
16. Secure the control unit harness to the vehicle harness with two wire ties.



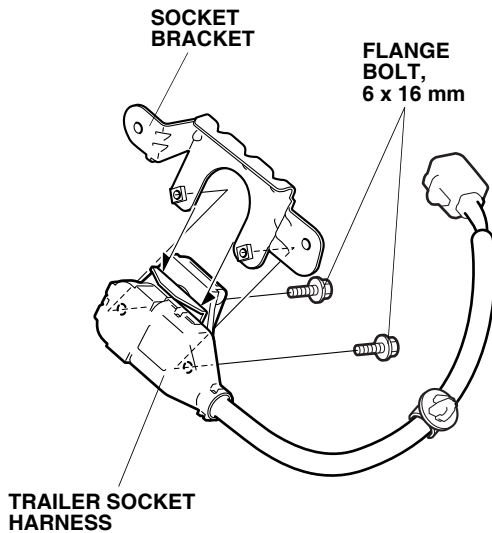
17. Remove the trailer hitch cover from the rear bumper (turn and release two clips, and two retaining tabs).



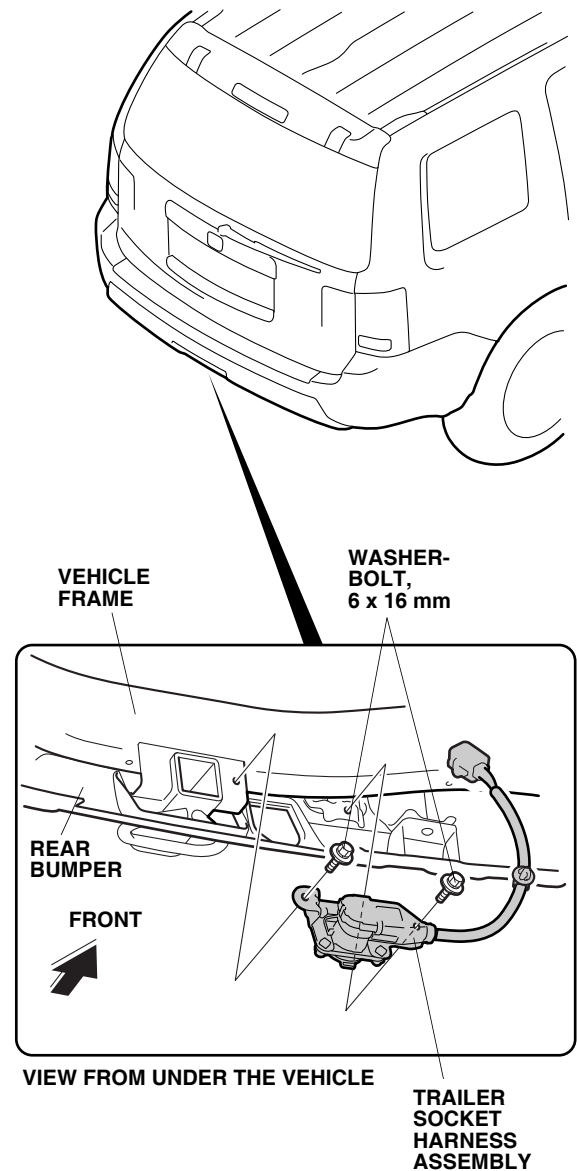
18. Using a utility knife, cut out the rear bumper in the area shown. Remove any burrs.



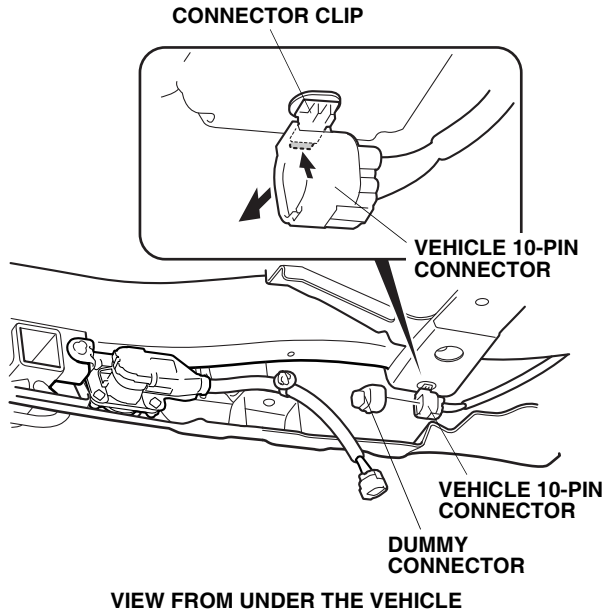
19. Install the socket bracket to the trailer socket harness using two 6 x 16 mm flange bolts.



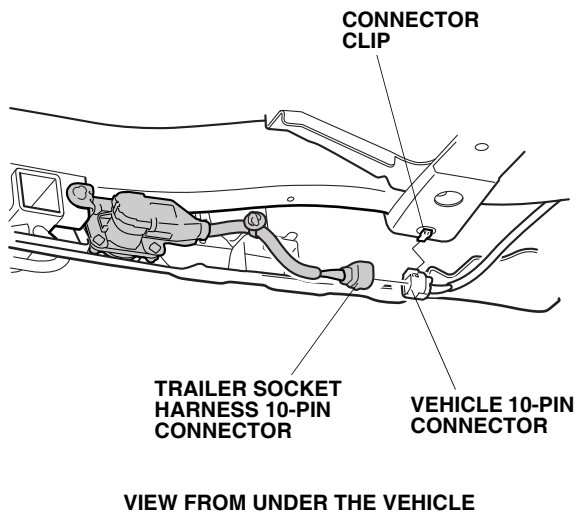
20. Secure the trailer socket harness assembly to the vehicle frame using two 6 x 16 mm washer-bolts.



21. Release the vehicle 10-pin connector from the connector clip, and remove the dummy connector from the vehicle 10-pin connector.

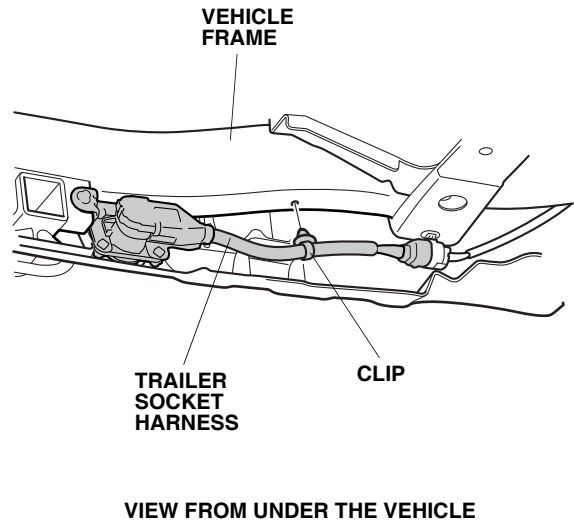


22. Plug the trailer socket harness 10-pin connector into the vehicle 10-pin connector.

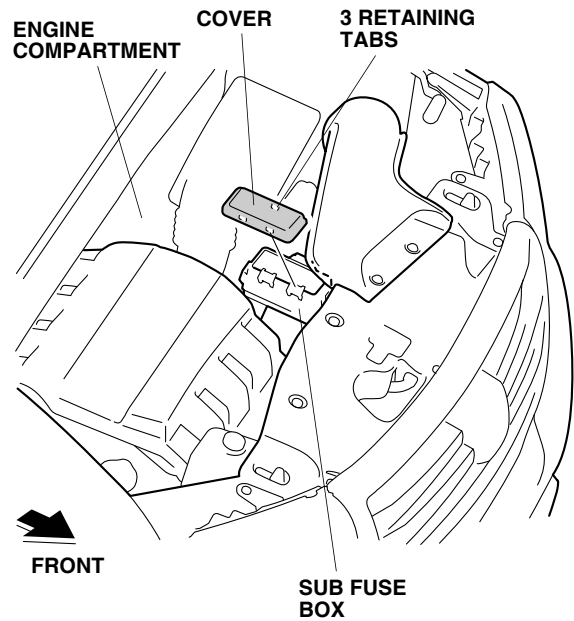


23. Attach the 10-pin connectors to the connector clip as shown.

24. Install the trailer socket harness clip to the vehicle frame.

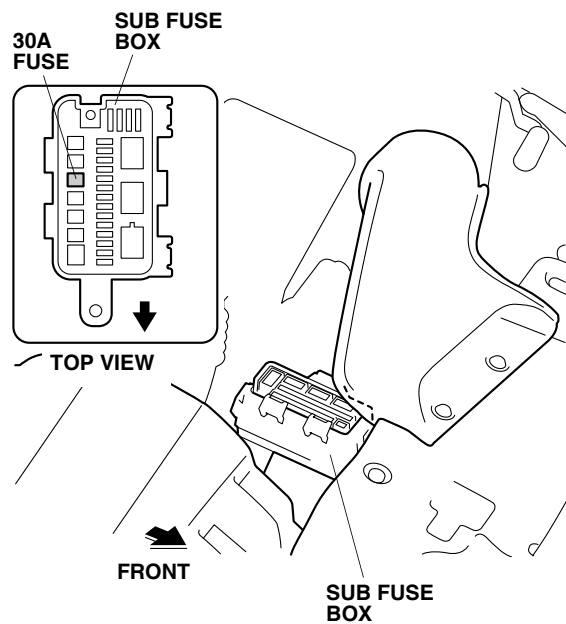


25. In the engine compartment, remove the cover from the sub fuse box (three retaining tabs).





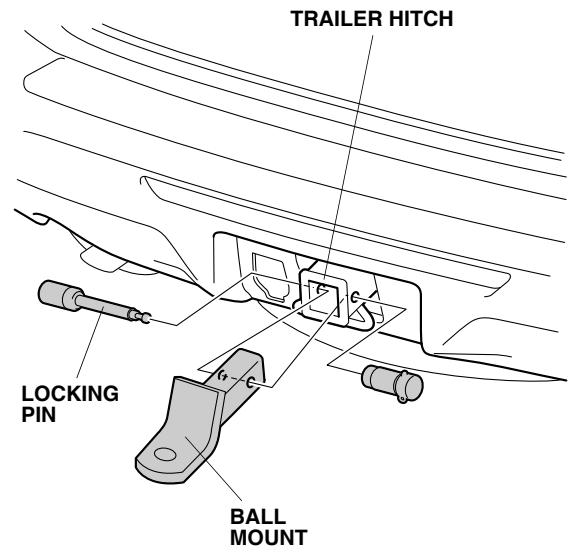
26. Plug the 30A fuse into the sub fuse box at the location shown.



27. Check that all wire harnesses are routed properly and that all connectors are plugged in.
28. Reconnect the negative cable to the battery.
29. Enter the customer's anti-theft code for the audio and navigation system if equipped, and reset the radio station presets.
30. Reset the clock.
31. Put the subharness in the glove box.
32. Reinstall all removed parts.

## Installing the Towing Kit

33. Insert the ball mount into the trailer hitch, and secure it with the locking pin.



## Subharness for Electric Brake Controller

This harness adapts an electric trailer brake controller to your vehicle. Have a qualified technician install your trailer brake controller following the trailer brake controller manufacturer's instructions. For more information, refer to "Towing a Trailer" in your vehicle owner's manual.

