



**INSTALLATION
INSTRUCTIONS**

Accessory
**AUTOMATIC DAY/NIGHT
MIRROR**

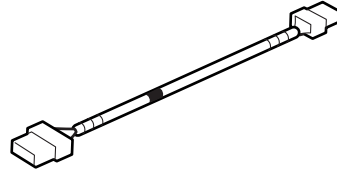
Application
2010 PILOT

Publications No.
All 41625
Issue Date
MAY 2009

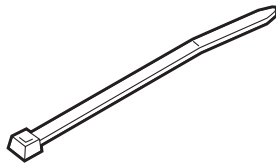
PARTS LIST

**Automatic Day/Night Mirror Attachment Kit
P/N 08V03-SZA-100**

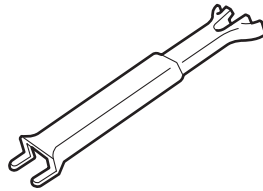
Automatic Day/Night mirror harness



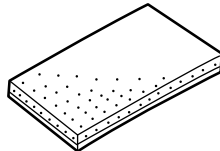
3 Wire ties



Harness cover

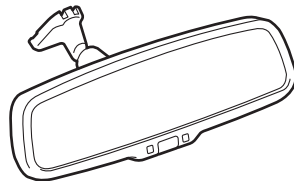


2 EPT sealers



**Automatic Day/Night Mirror Kit
P/N 08V03-SZA-100A**

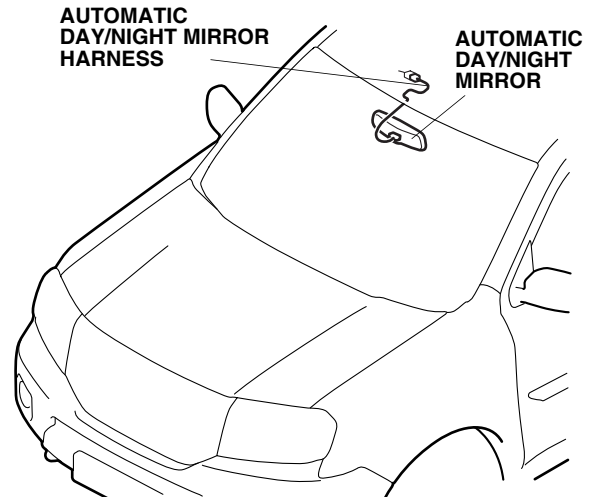
Automatic Day/Night mirror



TOOLS AND SUPPLIES REQUIRED

- Flat-tip screwdriver
- Phillips screwdriver
- Isopropyl alcohol
- Shop towel
- Scale
- 10 mm Combination wrench
- T20 Torx bit
- Plastic Trim Tool
T/N SILTRIMTL10

***Illustration of the Automatic Day/Night Mirror
Installed on the Vehicle***

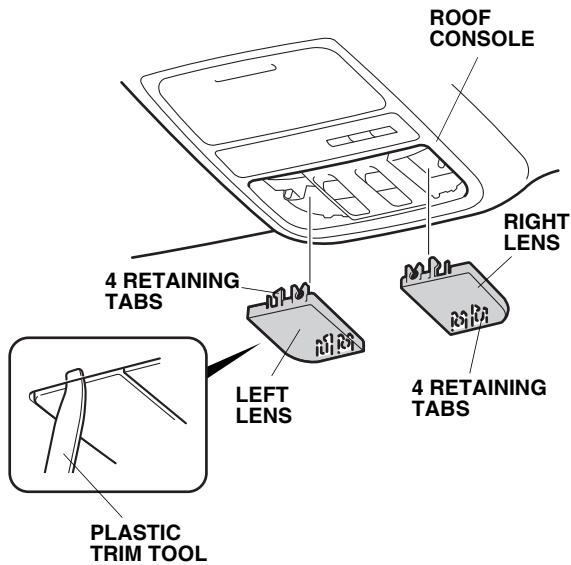


INSTALLATION

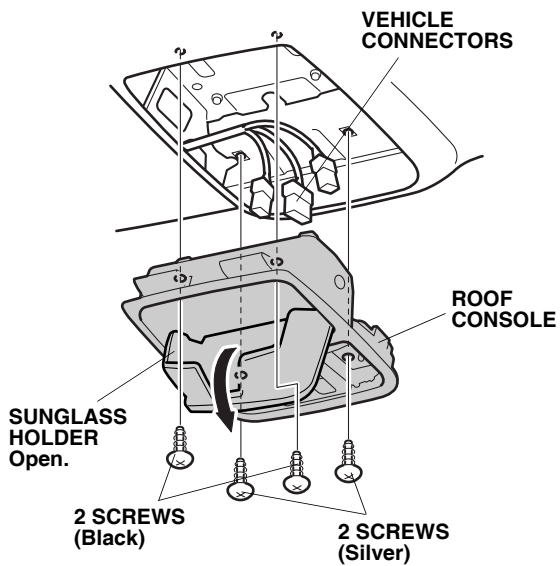
Customer Information: The information in this installation instruction is intended for use only by skilled technicians who have the proper tools, equipment, and training to correctly and safely add equipment to your vehicle. These procedures should not be attempted by "do-it-yourselfers."

1. Make sure you have the anti-theft code for the radio, then write down radio station presets.
2. Disconnect the negative cable from the battery.

- Using a plastic trim tool, disengage the eight retaining tabs, and remove left and right lens from the roof console.

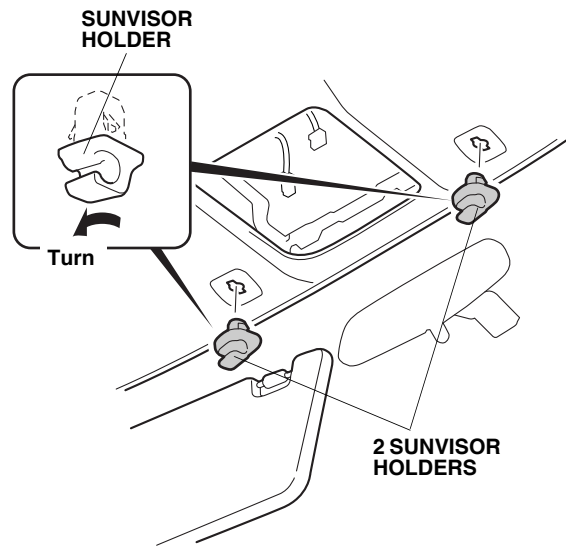


- Open the sunglass holder.

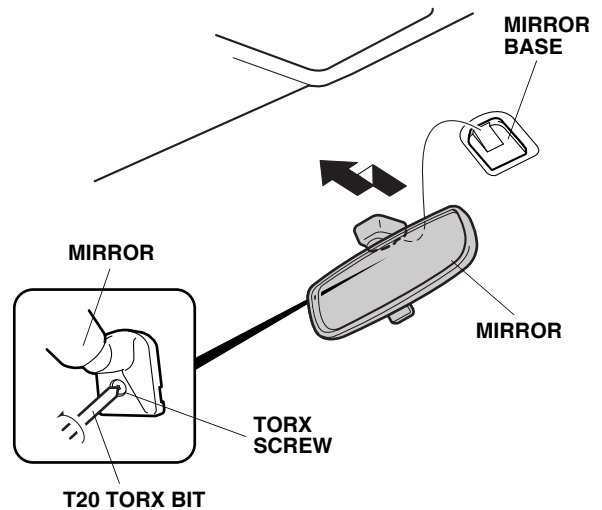


- Remove the roof console (two black screws, two silver screws, and unplug the vehicle connectors).

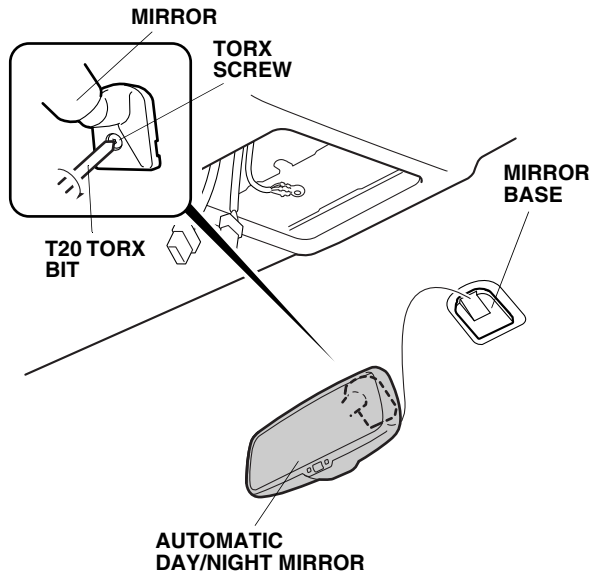
- Rotate the two sunvisor holders 90°, and remove the two sunvisor holders.



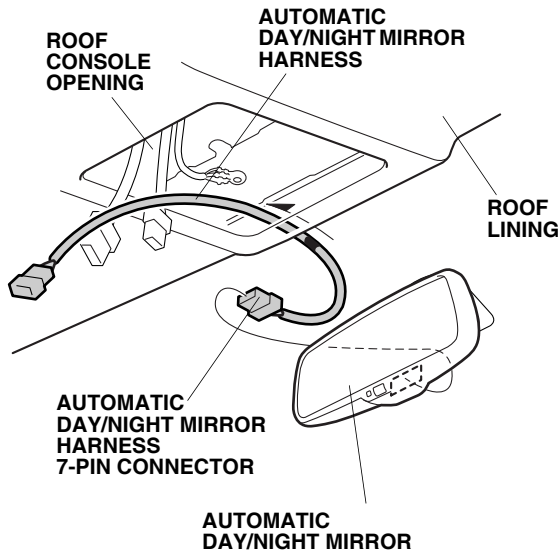
- Loosen the Torx screw, and remove the mirror.



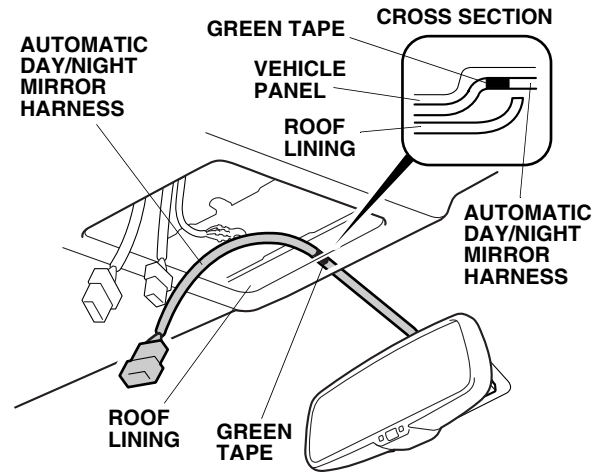
8. Install the automatic day/night mirror on the mirror base as shown, and tighten the Torx screw.



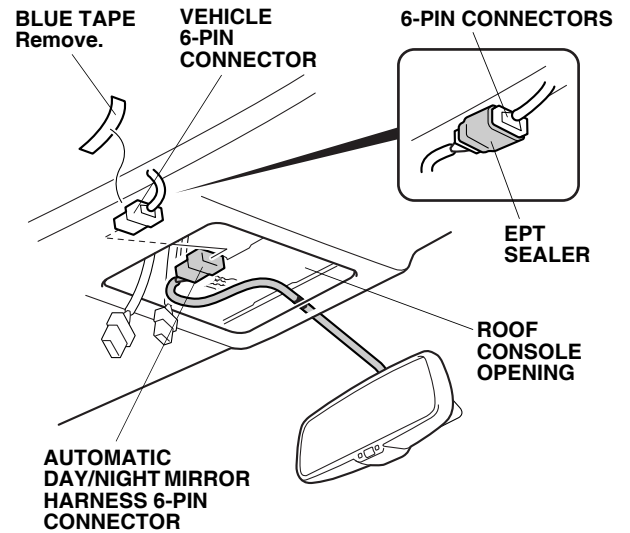
9. Plug the automatic day/night mirror harness 7-pin connector to the automatic day/night mirror. Route the automatic day/night mirror harness as shown.



10. Align the green-taped part of the automatic day/night mirror harness with the end of the roof lining.

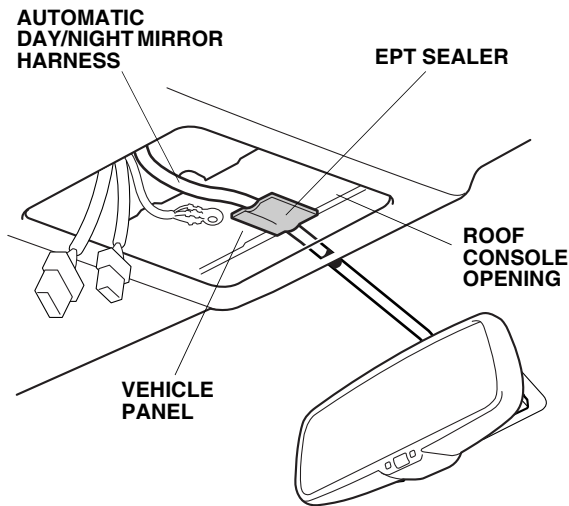


11. Locate the vehicle 6-pin connector and remove a blue tape from the vehicle 6-pin connector. Plug the automatic day/night mirror harness 6-pin connector to the vehicle 6-pin connector.

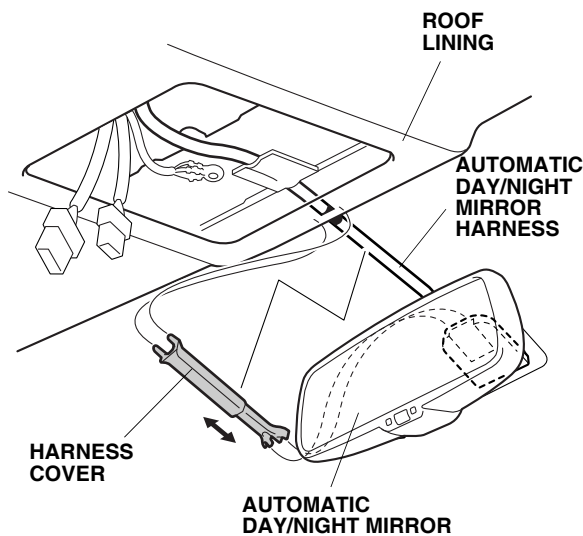


12. Wrap the EPT sealer onto the joint of the 6-pin connectors.

- Using isopropyl alcohol on a shop towel, clean the area where the EPT sealer will attach. Attach the automatic day/night mirror harness to the vehicle panel with the EPT sealer.

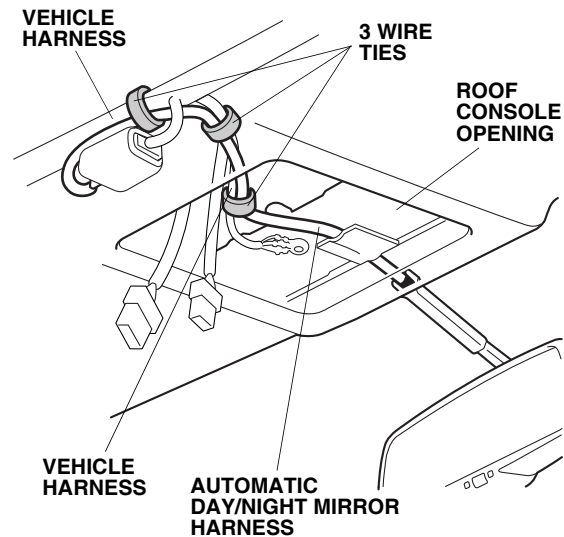


- Install the harness cover.



- Bring the harness cover to be in contact with the roof lining.

- Secure the automatic day/night mirror harness to the vehicle harness with three wire ties.



- Check that all wire harnesses are routed properly and all connectors are plugged in.
- Reinstall all removed parts.
- Reconnect the negative cable to the battery.
- Enter the customer's audio and navigation system (if equipped) anti-theft codes, and reset the radio presets.
- Reset the clock.

NOTE: Check the operation of the automatic day/night mirror according to the owner's manual of the vehicle.