



**INSTALLATION  
INSTRUCTIONS**

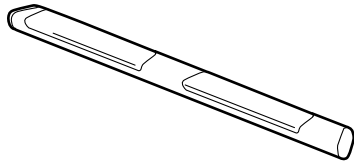
Accessory  
**SIDE STEPS**

Application  
**2009 PILOT**

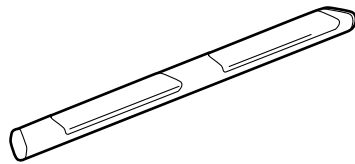
Publications No.  
**All 39450**  
Issue Date  
**MAY 2008**

**PARTS LIST**

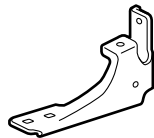
P/N 08L33-SZA-100 (BLACK)  
P/N 08L33-SZA-100A (CHROME)  
Right side step



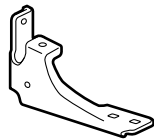
Left side step



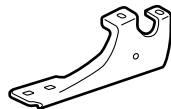
Right bracket A



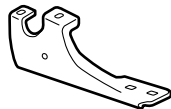
Left bracket A



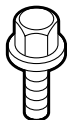
2 Right brackets B



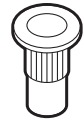
2 Left brackets B



24 Flange bolts



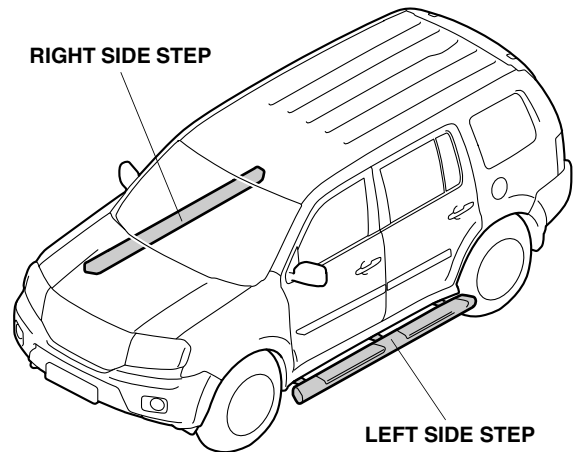
2 Rivet Nuts



**TOOLS AND SUPPLIES REQUIRED**

- Torque wrench
- Socket
- Rivet nut tool
- T/N LEML722M8
- 27 mm Wrench
- Hex wrench

**Illustration of the Side Steps Kit Installed on the vehicle**

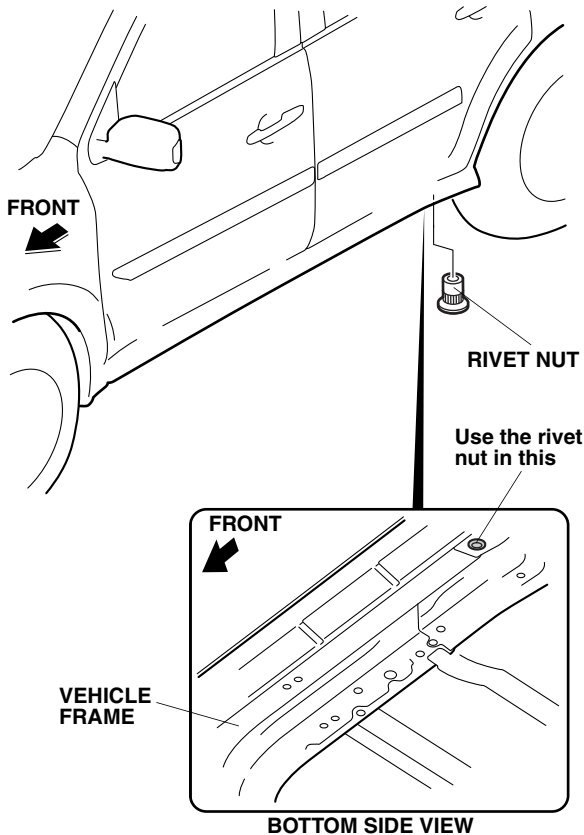


## INSTALLATION

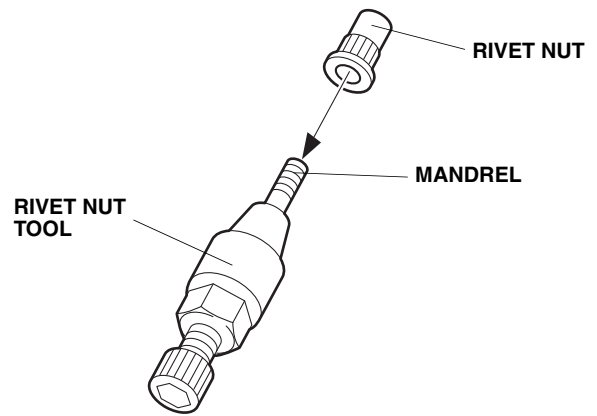
**Customer Information:** The information in this installation instruction is intended for use only by skilled technicians who have the proper tools, equipment, and training to correctly and safely add equipment to your vehicle. These procedures should not be attempted by "do-it-yourselfers."

### NOTE:

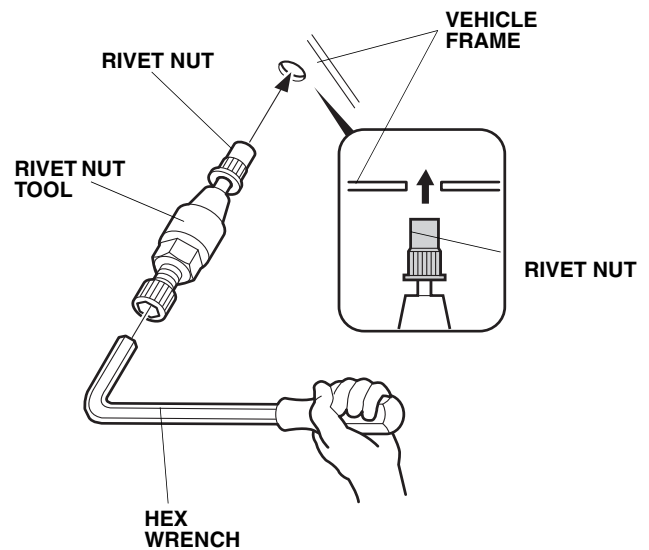
- Thoroughly clean the bottom of the body from the rear of the front wheels up to the front of the rear wheels.
  - Be careful not to damage the body paint finish. To prevent damage, place a blanket under the side step board during the installation.
  - These instructions show the left side step being installed; the same procedure applies to installing the right side step.
1. Install the rivet nut to the vehicle frame as shown.



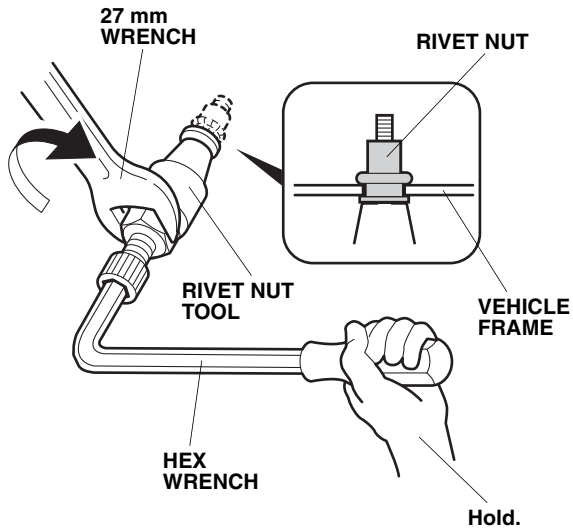
- Screw the rivet nut onto the mandrel of the rivet nut tool as shown.



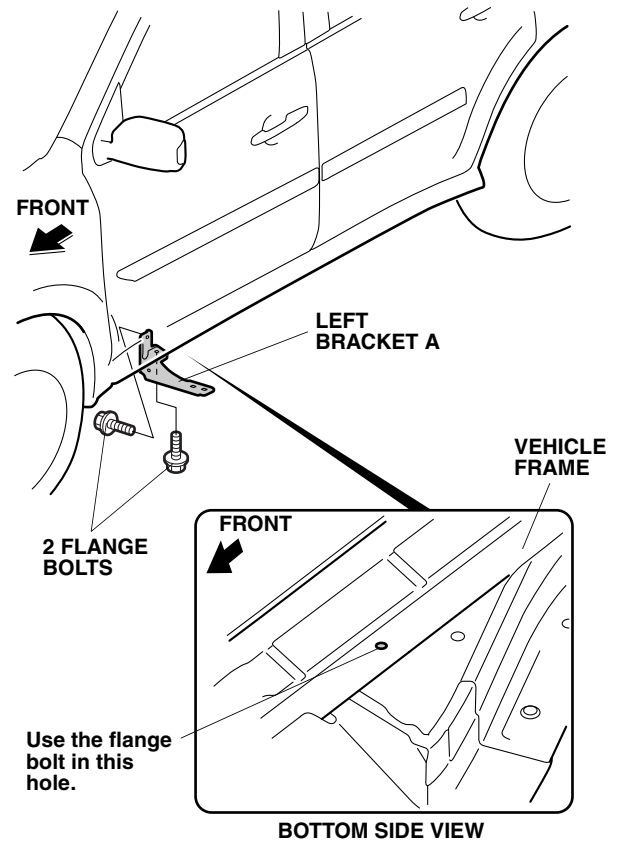
- Insert the rivet nut into the hole in the vehicle frame and install the hex wrench on the rivet nut tool.



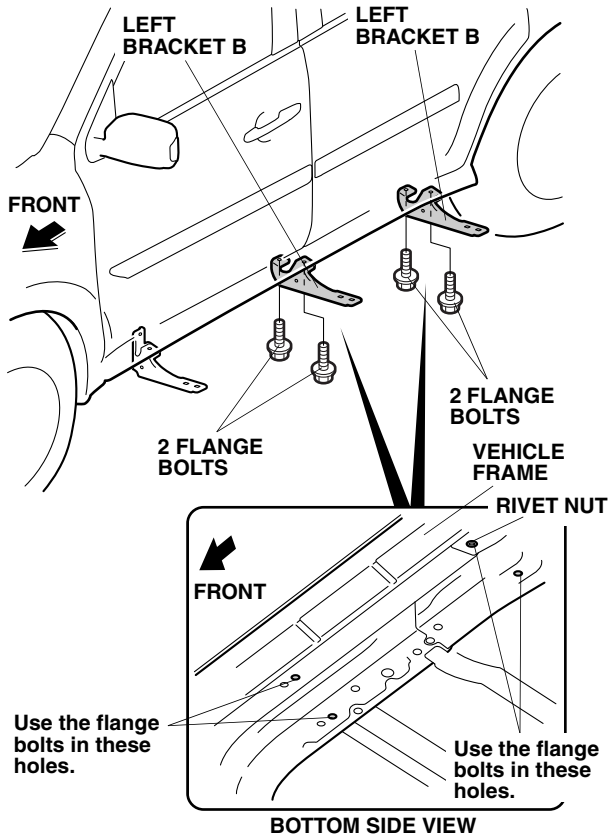
- Holding the rivet nut tool with the hex wrench, turn the 27 mm wrench clockwise and install the rivet nut on the vehicle frame.
- Remove the rivet nut tool from the rivet nut by turning the hex wrench counterclockwise.



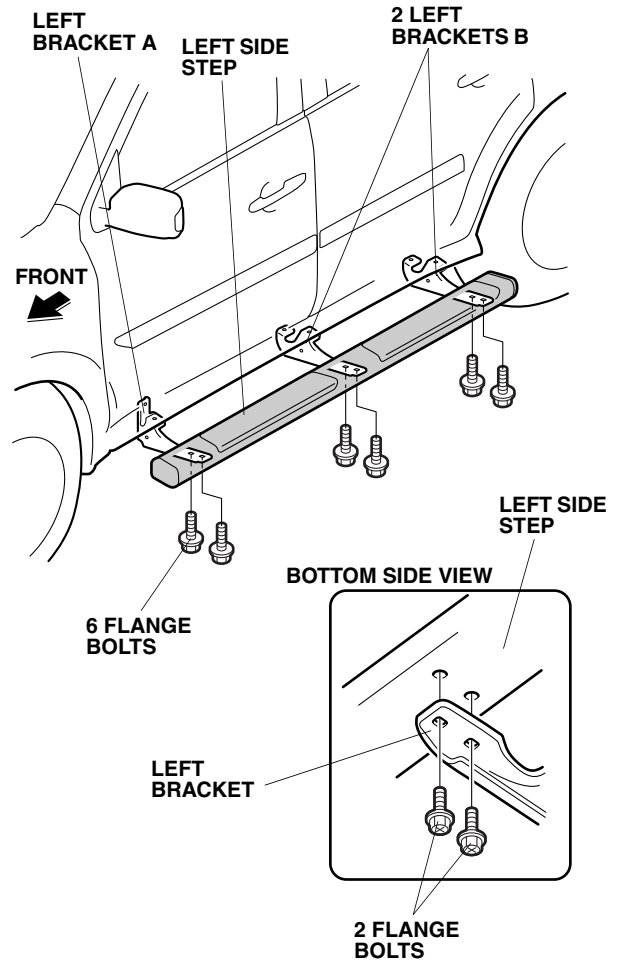
2. Position the left bracket A at the respective installation positions of the vehicle frame. Install the left bracket A on the vehicle frame with the two flange bolts. Do not tighten the flange bolts yet. Make sure the flange bolts are installed in the correct positions.



3. Position the two left brackets B at the respective installation positions of the vehicle frame. Install the two left brackets B on the vehicle frame with the two flange bolts for each. Do not tighten the flange bolts yet. Make sure the flange bolts are installed in the correct positions.



4. Position the left side step on the left bracket A and two left brackets B. Install the left side step with the six flange bolts. Torque the flange bolts to 27 N·m (19 lbf·ft).



5. Tighten the six flange bolts that were loosely installed in step 2 and step 3. Torque the flange bolts to 27 N·m (19 lbf·ft).
6. Repeat steps 1 through 5 to install the side step on the right side of the vehicle.