

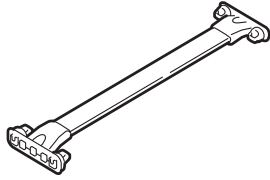


**INSTALLATION  
INSTRUCTIONS**

<p>Accessory <b>CROSSBARS</b> P/N 08L04-SZA-100</p>	<p>Application <b>2009 PILOT</b></p>	<p>Publications No. <b>All 39283-40552</b></p>
		<p>Issue Date <b>SEP 2008</b></p>

**PARTS LIST**

2 Crossbars



2 Torx bolts



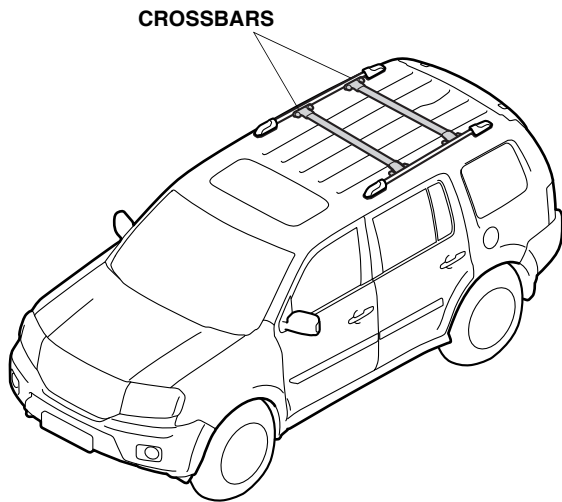
**TOOLS AND SUPPLIES REQUIRED**

Flat-tip screwdriver

Shop towel

T-30 Torx driver

**Illustration of the Crossbars Installed on the Vehicle**



**INSTALLATION**

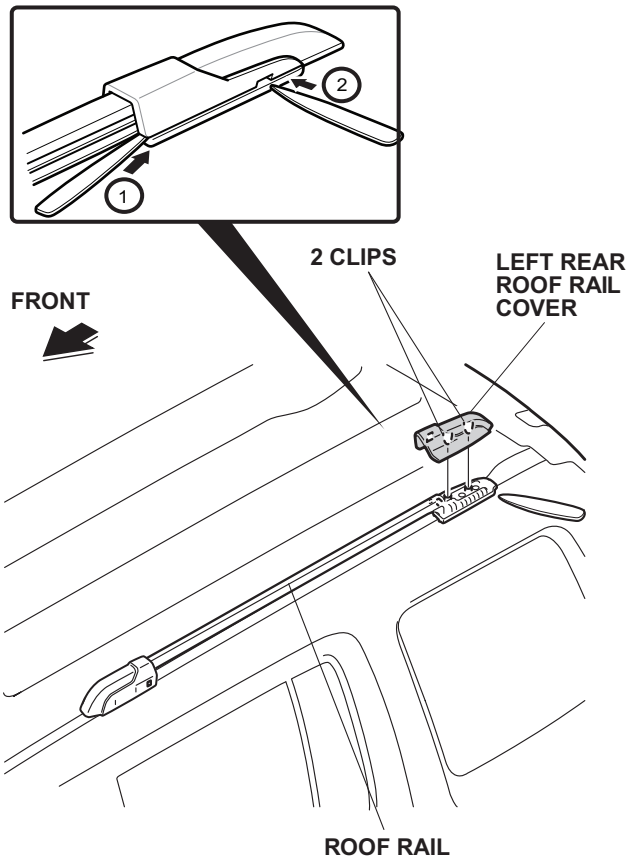
**Customer Information:** The information in this installation instruction is intended for use only by skilled technicians who have the proper tools, equipment, and training to correctly and safely add equipment to your vehicle. These procedures should not be attempted by “do-it-yourselfers.”

**NOTE:**

- The weight of cargo must not exceed the maximum weight capacity of 75 kg (165 lbs).
- Wipe and clean the roof rails before installing the crossbars.
- Be extremely careful not to damage the roof and other finished surfaces of the body when installing the crossbars.

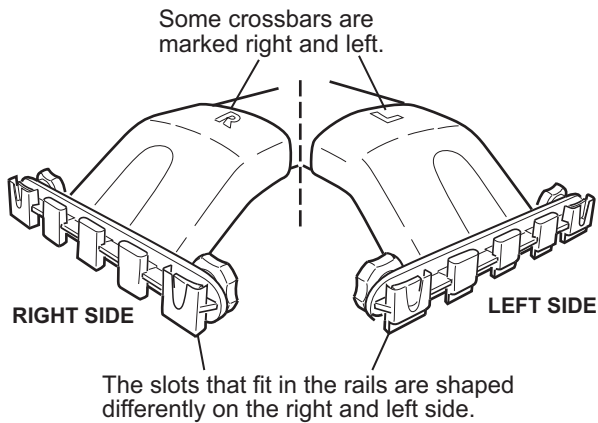
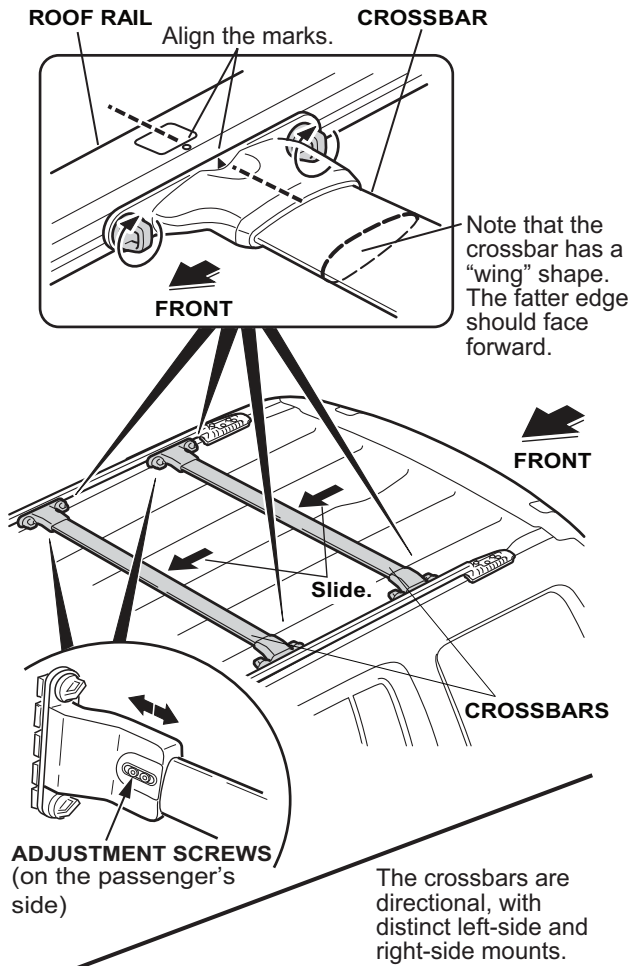
**Installing the Crossbars**

1. Remove the rear roof rail covers from the roof rails by disengaging two clips each.

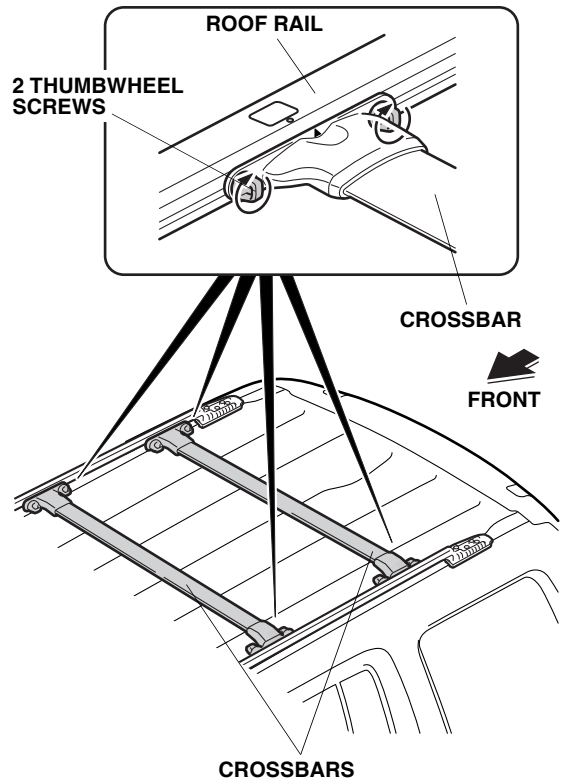


- Slide the crossbars into the roof rails with the adjustment screws on the passenger's side of the vehicle, and align the mark on the crossbars with the mark on the roof rails as shown. Make sure the crossbars are inserted in the correct position and direction.

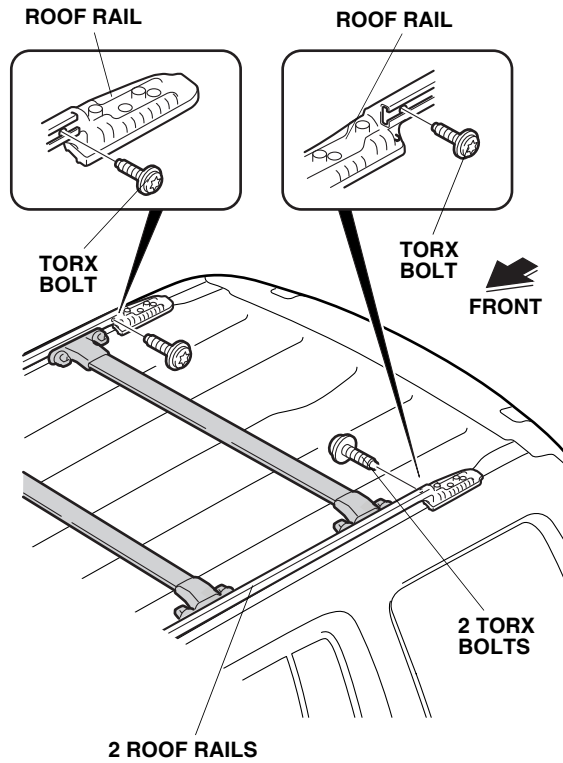
NOTE: If the crossbars are installed incorrectly excessive wind noise will occur.



- Tighten eight thumbwheel screws to secure the crossbars to the roof rails.



4. Install two Torx bolts to the roof rails securely.



5. Reinstall the roof rail covers. Make sure they are securely snapped into place.

#### USE AND CARE

- Check the roof rails and crossbar mounting bolts frequently, and re-tighten if necessary.
- Distribute the weight of the cargo evenly, and do not exceed the maximum weight capacity of 75 kg (165 lbs).