

BLACK EMBLEMS	2026 PASSPORT MODEL SERIES	Publications No. VERSION 1
---------------	-------------------------------	-------------------------------

GENERAL VIEW



QP62401AN

A	FRONT H EMBLEM
B	REAR H EMBLEM

FOR YOUR SAFETY (Read carefully.)

Warning Symbols

Safety: Your safety, and the safety of others, is important. To help you make informed decisions about service procedures, we have provided safety messages where appropriate. Of course, it is not practical or possible to warn you about all the hazards associated with servicing a vehicle - you must use your own good judgment.

You will find important safety messages preceded by one of the following symbols:

*All symbols are not used in all installation instructions.

DANGER

You will be killed or seriously hurt if you do not follow the instructions.

WARNING

You can be killed or seriously hurt if you do not follow the instructions.

CAUTION

You can be hurt if you do not follow the instructions.

NOTICE

Gives advice to prevent damage to the product, vehicle, the environment or other property.

NOTE

Gives helpful information or instructions to be followed when installing this product.

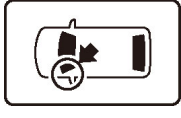
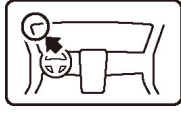














Indicates a prohibited action.

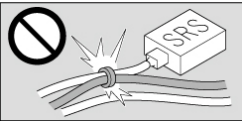

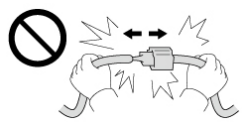
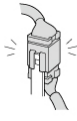
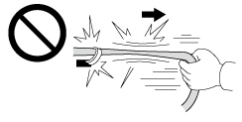


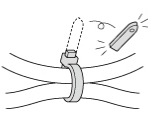
Procedure and Location Icons

These icons indicate the work location and the worker's point of view.

*All icons are not used in all installation instructions.

	The location on the vehicle.		The location in the vehicle. (Instrument panel.)
	Wear eye protection.		Wear heavy gloves.
	Use an assistant.		Place the part on a blanket.
	Work perpendicular.		Remove any burrs.
	Use touch-up paint and allow to dry.		Tighten to the specified torque.
	Apply firm pressure while rolling, especially at the ends, to set the adhesive.		Press firmly.
	Clean with isopropyl alcohol.		Return the original part to the customer. (Do not reuse.)

Wire Harness Routing Precaution

	<p>Do not secure the accessory harness to the SRS harness. (except for instruction cases.)</p>		<p>Push the connectors and terminals together until they lock.</p>
	<p>Do not pull the harness to unplug the connectors.</p>		<p>Install removed connectors in their original location.</p>
	<p>Do not pull the harness.</p>		<p>Secure the accessory harness as shown.</p>
	<p>Do not pinch the harness.</p>		<p>Cut off the excess wire tie.</p>

Safety: General

- Observe all safety notes and precautions described in the service information, in addition to those described in this Installation Instruction. Be extremely careful for your safety and safety of others.
- Always use the parts and tools specified in the installation instructions.
- Be careful not to damage the vehicle or the parts.
- Be extremely careful when handling retaining tabs and clips.
- Note the locations of the parts before removing them so they can be properly installed in their original positions.
- The illustrations may differ slightly from the actual accessory.

Safety: Electric Parts

Always disconnect the negative cable from the battery before beginning work.

Safety: Accessory




- Do not install the accessory on a dirty surface or in direct sunlight.
- Make sure the ambient air temperature is 60°F (15°C) or above when installing accessories that use adhesive material.
- When pressing the accessory firmly with the palm of your hand, be careful not to damage it or the vehicle.
- When applying adhesive material, make sure it is lined up properly before attaching. Once the adhesive material touches the surface, do not try to remove it. If you do, you could damage the part.
- Do not wash the vehicle for 24 hours to allow the adhesive to cure.

PARTS LIST

Black Emblems Kit (P/N 08F20-3BM-100B)

Parts	Parts name	QTY	Remarks
	Front H emblem	1	
	Rear H emblem	1	
	Push nut	2	
	Alcohol wipe	1	

Black Emblems Kit (P/N 08F20-3BM-P00B)

Parts	Parts name	QTY	Remarks
	Front H emblem	1	
	Rear H emblem	1	
	Push nut	2	

REQUIRED TOOLS AND SUPPLIES

- 10 mm Open end wrench
- Phillips screwdriver
- Ratchet
- 8 mm Socket
- Extension
- Shop towel
- Masking tape
- Nylon string
- Diagonal cutters

The following tools are available through the Honda Tool and Equipment Program:

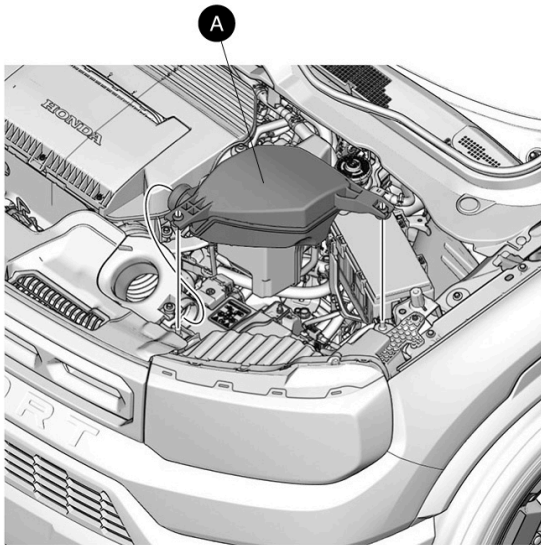
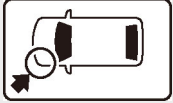
- Trim Tool Set (T/N SOJATP2014)
- Plastic Trim Tool (T/N SILTRIMTL10)
- Push Pin Pliers (T/N 07AAC-001A101)
- Rubber Roller (T/N MHLE54D)

INSTALLATION

■ Disconnecting the Battery Cable

● Resonator

- 1 Remove the resonator.



A	RESONATOR
----------	-----------

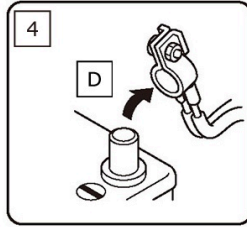
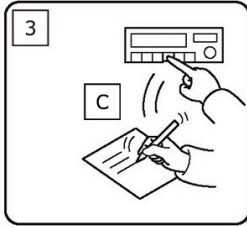
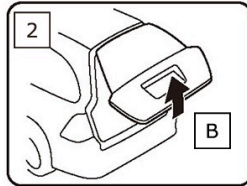
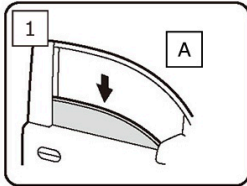
QP62602AB

● Negative Cable

2 Disconnect the negative cable from the battery.

NOTE

- Follow the “12 Volt Battery Terminal Disconnection and Reconnection” described in the service information since the work differs depending on the vehicle.
- Take countermeasures to prevent from locking the tailgate.



QCD0504BM

A	Lower.
B	Open.
C	Record.
D	Disconnect.

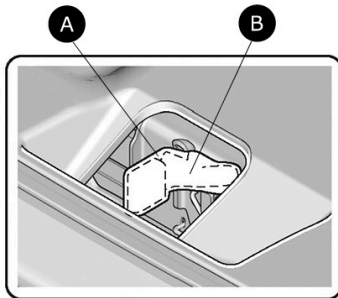
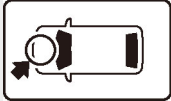
Removing the Vehicle Parts

● Front Bulkhead Cover

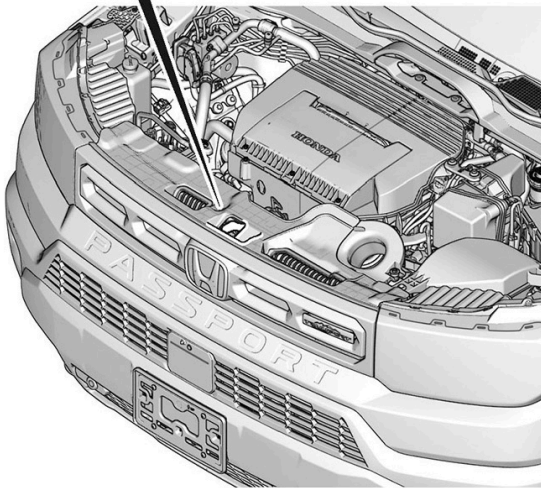
3 Wrap a shop towel to protect the vehicle.

NOTE

To prevent damage, do not remove the shop towel until after the parts are installed.

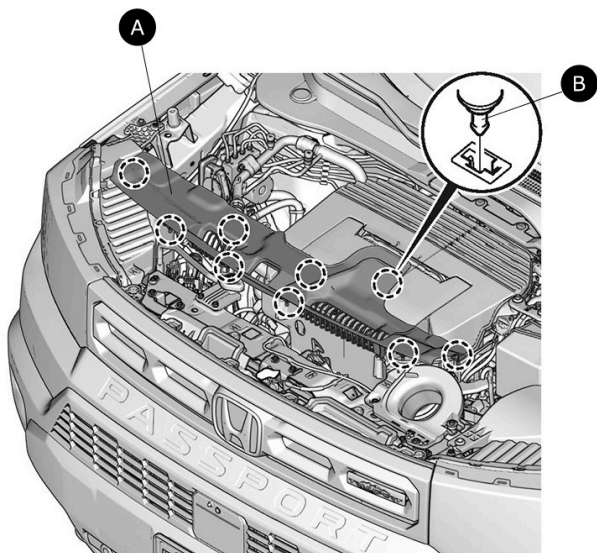


A	SHOP TOWEL
B	HOOD LATCH LEVER



QP61902AG

4 Remove the front bulkhead cover.

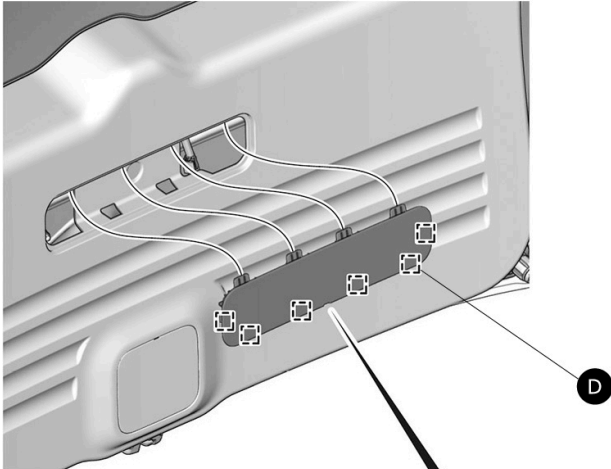
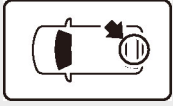


A	FRONT BULKHEAD COVER
B	CLIP(9)

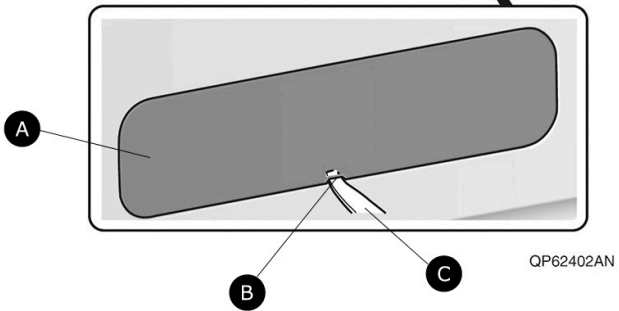
QP61903AG

● Upper Lid

5 Remove the upper lid.

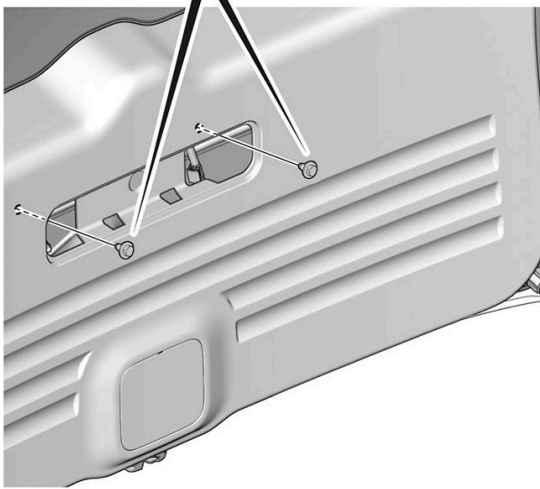
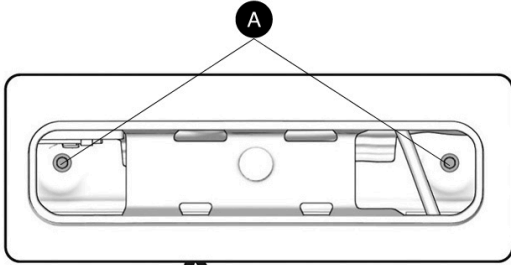
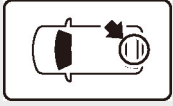


A	UPPER LID
B	SLOT
C	PLASTIC TRIM TOOL
D	RETAINING TAB(6)



● Rear License Trim

6 Remove the bolts.



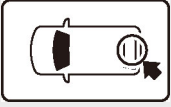
A	BOLT(2)
----------	---------

QP62403AN

7 Attach masking tape to protect the vehicle.

NOTE

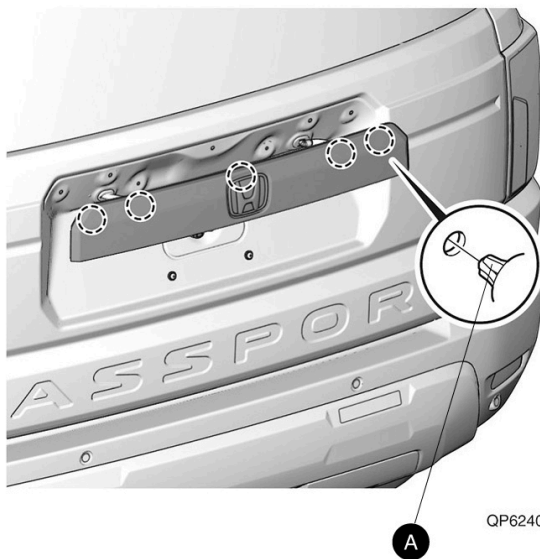
To prevent damage, do not remove the masking tape until after the parts are installed.



QP62404AN

A	REAR LICENSE TRIM
B	TAILGATE
C	MASKING TAPE

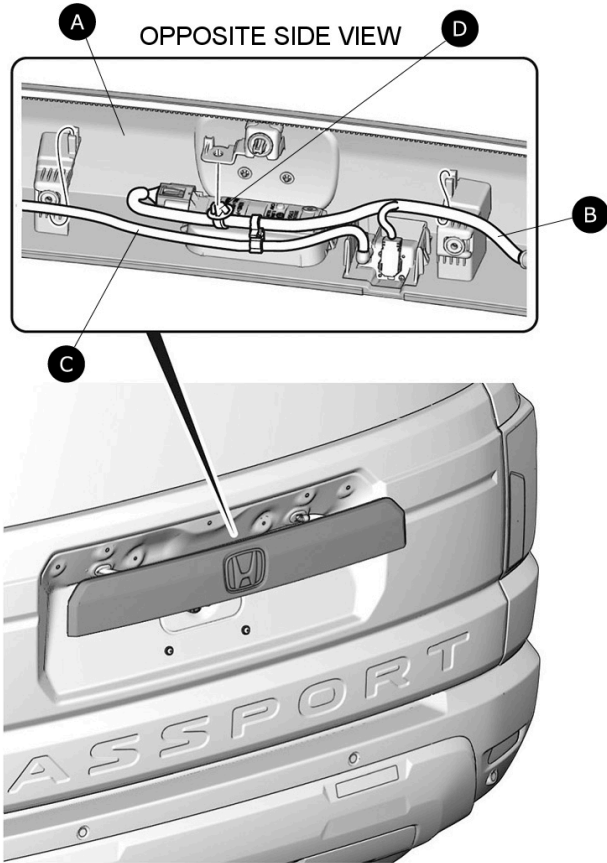
8 Release the rear license trim.



QP62405AN

A	CLIP(5)
----------	---------

9 Release the vehicle harness and vehicle tube.



A	REAR LICENSE TRIM (inside)
B	VEHICLE HARNESS
C	VEHICLE TUBE
D	CLIP

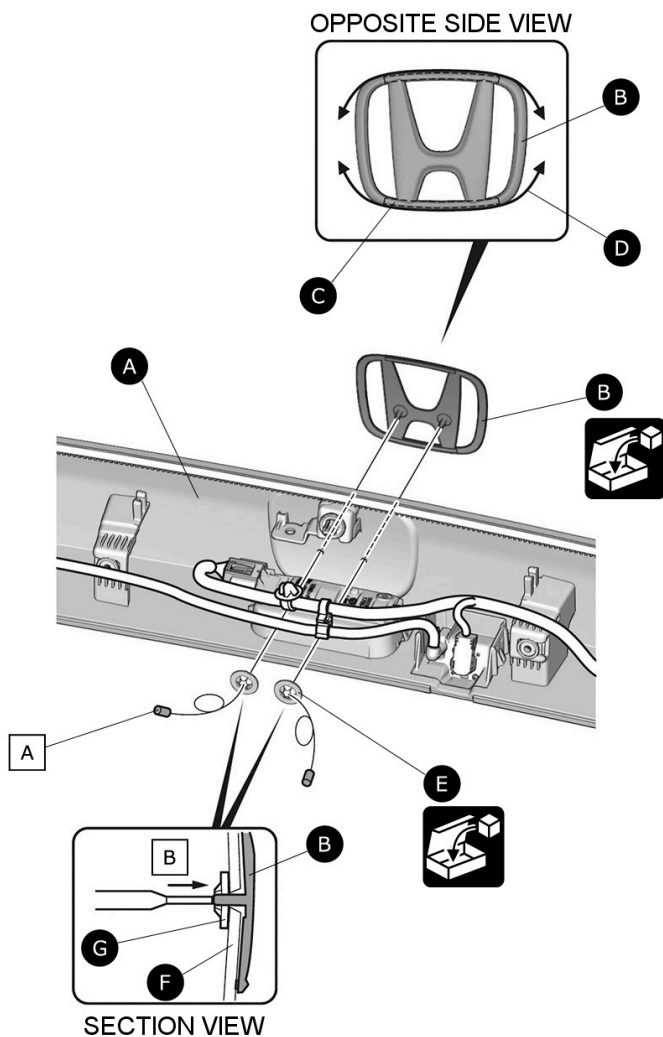
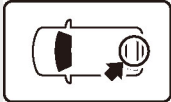
QP62501AN

Installing the Rear H Emblem

10 Remove the vehicle rear H emblem.

NOTE

- Do not damage the rear license trim when removing the vehicle H emblem with the nylon string.
- Make sure to thoroughly remove the adhesive tapes from the vehicle body.



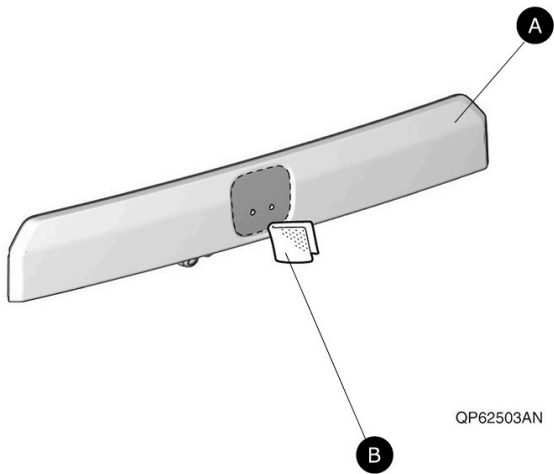
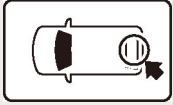
A	REAR LICENSE TRIM (inside)
B	VEHICLE REAR H EMBLEM
C	ADHESIVE TAPE(2)
D	NYLON STRING MOVEMENT
A	PIN (Cut.)(2)
E	PUSH NUT(2)
F	REAR LICENSE TRIM
G	PUSH NUT
B	Push the tip of the pin.

QP62502AN

11 Clean the attaching area.

NOTE

Allow to dry thoroughly.

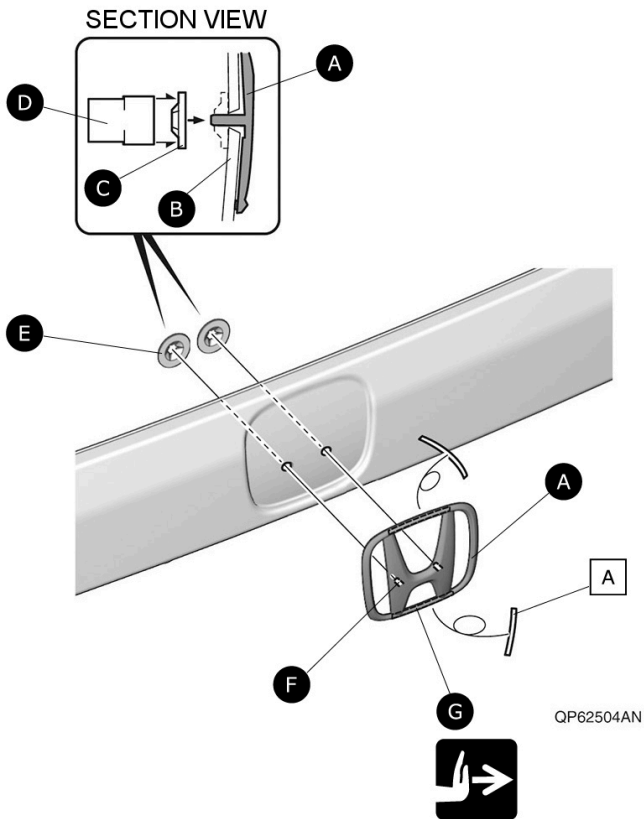


A	REAR LICENSE TRIM (outside)
B	ALCOHOL WIPE

12 Install the new rear H emblem.

NOTE

- Make sure to install the push nuts in the correct orientation.
- Check the position of double-sided adhesive tapes and make sure to press firmly.

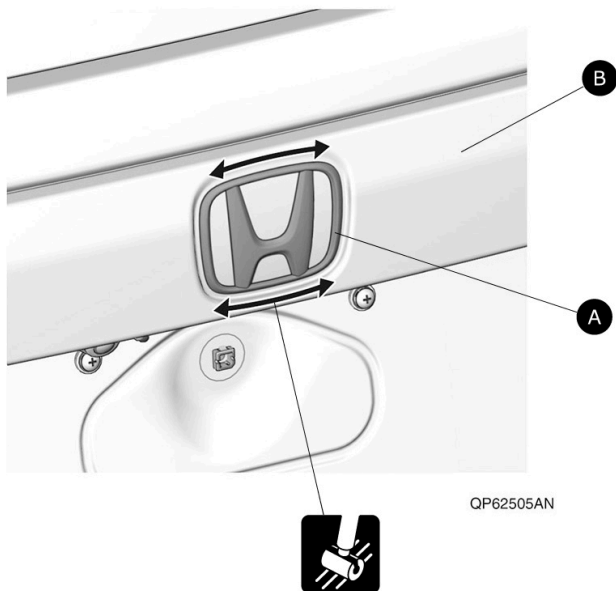


A	NEW REAR H EMBLEM
B	REAR LICENSE TRIM
C	PUSH NUT
D	8 mm SOCKET
E	PUSH NUT (supplied)(2)
F	PIN(2)
A	ADHESIVE BACKING (Remove.)(2)
G	DOUBLE-SIDED ADHESIVE TAPE(2)

13 Install the vehicle harness and vehicle tube.

14 Install the rear license trim.

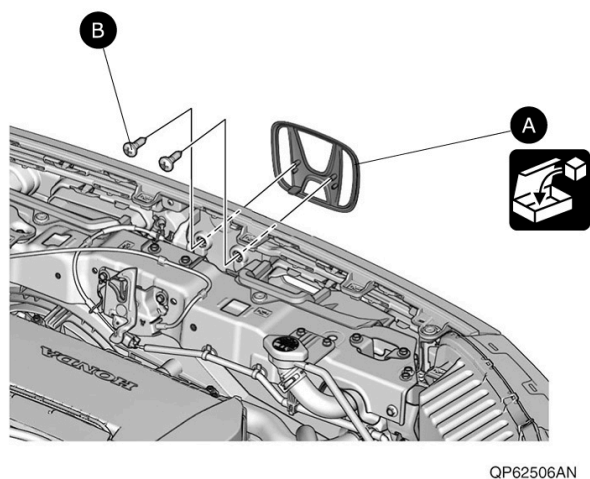
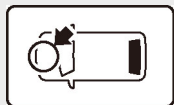
15 Secure the new rear H emblem.



A	NEW REAR H EMBLEM
B	REAR LICENSE TRIM

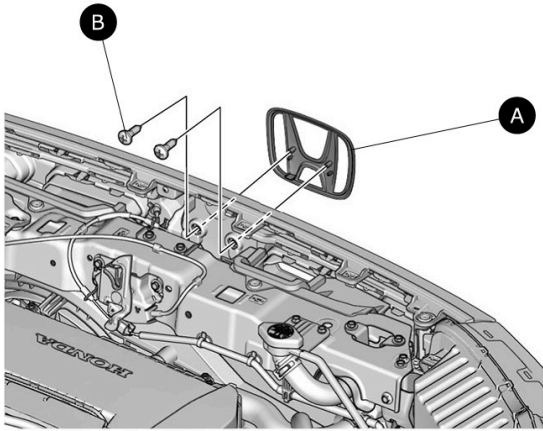
Installing the Front H Emblem

16 Remove the vehicle front H emblem.



A	VEHICLE FRONT H EMBLEM
B	SELF-TAPPING SCREW(2)

17 Install the new front H emblem.



QP62507AN

A	NEW FRONT H EMBLEM
B	SELF-TAPPING SCREW(2)

Check After Installation

18 Check that all parts are installed and properly routed.

NOTE

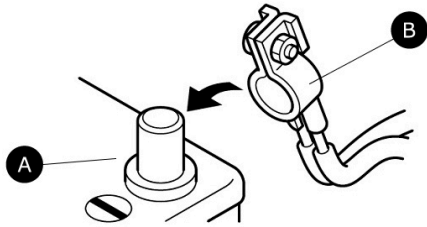
- Check that all harnesses are not pulled or pinched.
- Make sure all clips and wire ties are securely installed.

Installing All Removed Parts

19 Install all removed parts except for the resonator.

Vehicle Check

20 Connect the negative cable to the battery.



Q060702BM

A	BATTERY
B	NEGATIVE CABLE

21 Install the resonator.

22 Make sure all accessories and systems operate properly.

23 If necessary, restore the systems back to normal operation as described in the service information.

24 Press and hold the audio unit power button for 2 seconds to restore the audio and navi (if equipped) system functions.