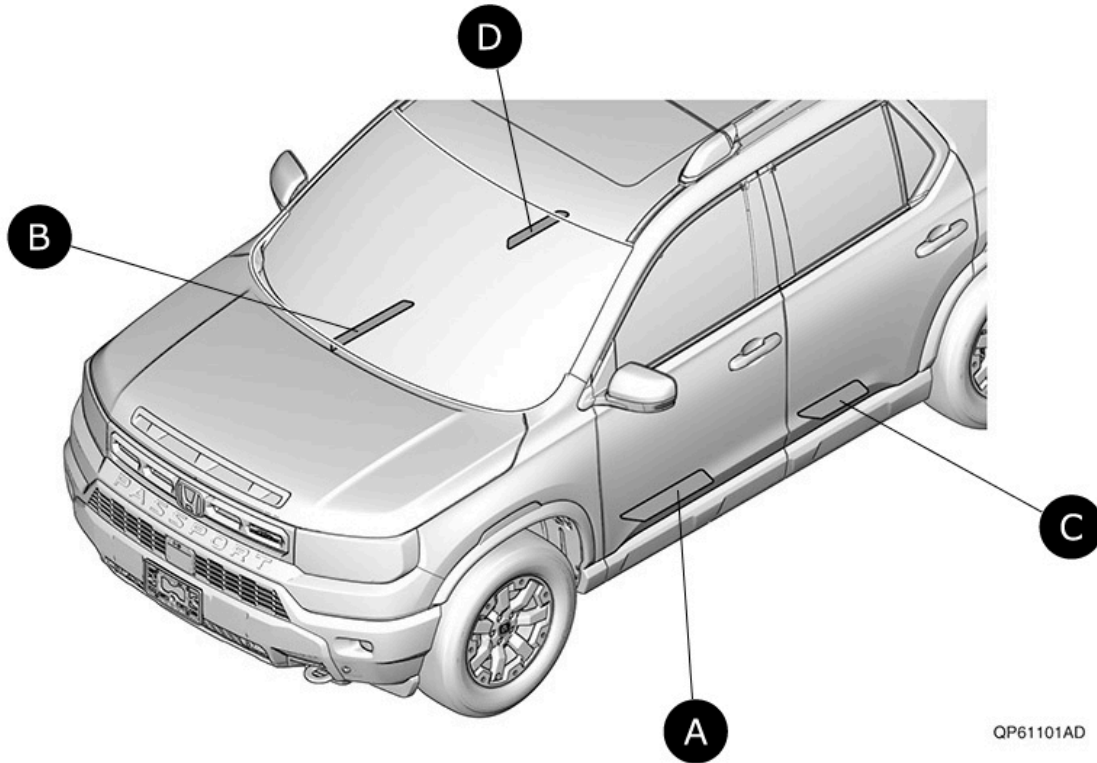


DOOR SILL PROTECTION FILMS	2026 PASSPORT MODEL SERIES	Publications No. VERSION 1
----------------------------	-------------------------------	-------------------------------

### GENERAL VIEW



A	LEFT FRONT PROTECTION FILM
B	RIGHT FRONT PROTECTION FILM
C	LEFT REAR PROTECTION FILM
D	RIGHT REAR PROTECTION FILM

## FOR YOUR SAFETY (Read carefully.)

### Warning Symbols

Safety: Your safety, and the safety of others, is important. To help you make informed decisions about service procedures, we have provided safety messages where appropriate. Of course, it is not practical or possible to warn you about all the hazards associated with servicing a vehicle - you must use your own good judgment.

You will find important safety messages preceded by one of the following symbols:

\*All symbols are not used in all installation instructions.

#### DANGER

You will be killed or seriously hurt if you do not follow the instructions.

#### WARNING

You can be killed or seriously hurt if you do not follow the instructions.

#### CAUTION

You can be hurt if you do not follow the instructions.

#### NOTICE

Gives advice to prevent damage to the product, vehicle, the environment or other property.

#### NOTE

Gives helpful information or instructions to be followed when installing this product.

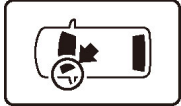
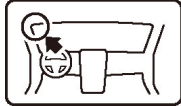














Indicates a prohibited action.

## Procedure and Location Icons

These icons indicate the work location and the worker's point of view.

\*All icons are not used in all installation instructions.

	The location on the vehicle.		The location in the vehicle. (Instrument panel.)
	Wear eye protection.		Wear heavy gloves.
	Use an assistant.		Place the part on a blanket.
	Work perpendicular.		Remove any burrs.
	Use touch-up paint and allow to dry.		Tighten to the specified torque.
	Apply firm pressure while rolling, especially at the ends, to set the adhesive.		Press firmly.
	Clean with isopropyl alcohol.		Return the original part to the customer. (Do not reuse.)

## Safety: General

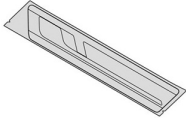
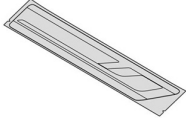
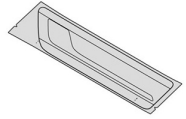
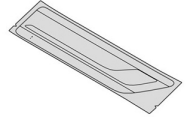



- Observe all safety notes and precautions described in the service information, in addition to those described in this Installation Instruction. Be extremely careful for your safety and safety of others.
- Always use the parts and tools specified in the installation instructions.
- Be careful not to damage the vehicle or the parts.
- The illustrations may differ slightly from the actual accessory.

## ■ Safety: Accessory

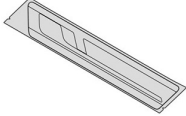
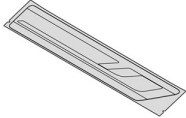
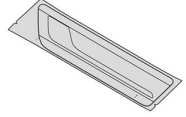
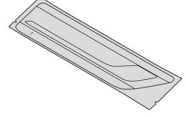
- Do not install the accessory on a dirty surface or in direct sunlight.
- Make sure the ambient air temperature is 60°F (15°C) or above when installing accessories that use adhesive material.
- When applying adhesive material, make sure it is lined up properly before attaching. Once the adhesive material touches the surface, do not try to remove it. If you do, you could damage the part.
- Always wear gloves when working with 3M protective tape application solution.
- Use the 3M protective tape application solution with a spray bottle.
- Do not wash the vehicle for 24 hours to allow the adhesive to cure.

## PARTS LIST

### ■ Door Sill Protection Films Kit (P/N 08P04-3BM-100)

Parts	Parts name	QTY	Remarks
	Left front protection film (identification mark: FR-L)	1	
	Right front protection film (identification mark: FR-R)	1	
	Left rear protection film (identification mark: RR-L)	1	
	Right rear protection film (identification mark: RR-R)	1	
	Alcohol wipe	4	
	Applicator	1	
	Felt sleeve	1	

## ■ Door Sill Protection Films Kit (P/N 08P04-3BM-P00)

Parts	Parts name	QTY	Remarks
	Left front protection film (identification mark: FR-L)	1	
	Right front protection film (identification mark: FR-R)	1	
	Left rear protection film (identification mark: RR-L)	1	
	Right rear protection film (identification mark: RR-R)	1	

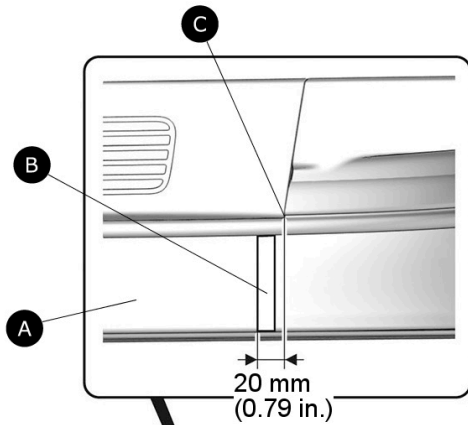
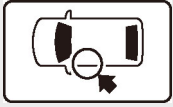
## REQUIRED TOOLS AND SUPPLIES

- Shop towel
- Masking tape
- Ruler
- Felt-tip pen
- Gloves
- 3M Protective tape application solution

## INSTALLATION

### ■ Installing the Front Protection Films

**1** Attach masking tape.



<b>A</b>	VEHICLE PANEL
<b>B</b>	MASKING TAPE
<b>C</b>	EDGE OF THE DRIVER'S DOOR SILL TRIM



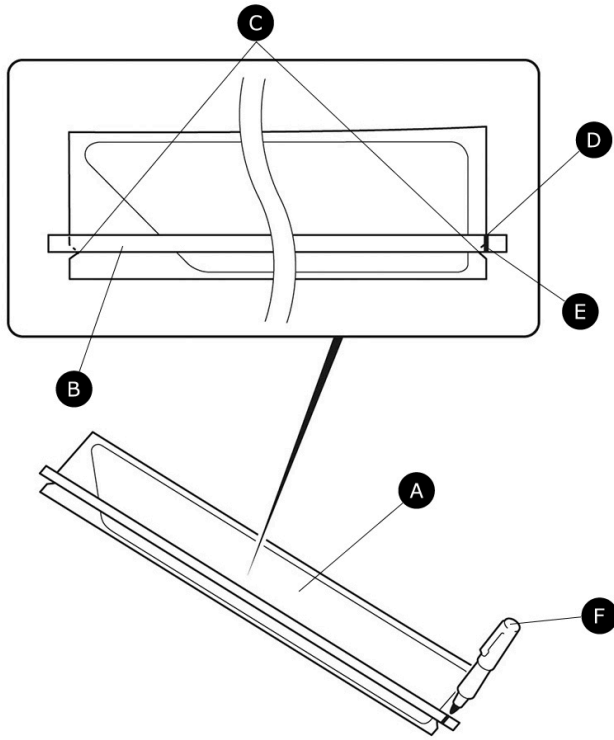
QP61102AD



## 2 Attach masking tape.

### NOTE

Make sure to prepare the correct identification mark before proceeding with the installation.



<b>A</b>	LEFT FRONT PROTECTION FILM (identification mark: FR-L)
<b>B</b>	MASKING TAPE
<b>C</b>	V-NOTCH(2)
<b>D</b>	EDGE OF THE LEFT FRONT PRO- TECTION FILM
<b>E</b>	MARK
<b>F</b>	FELT-TIP PEN

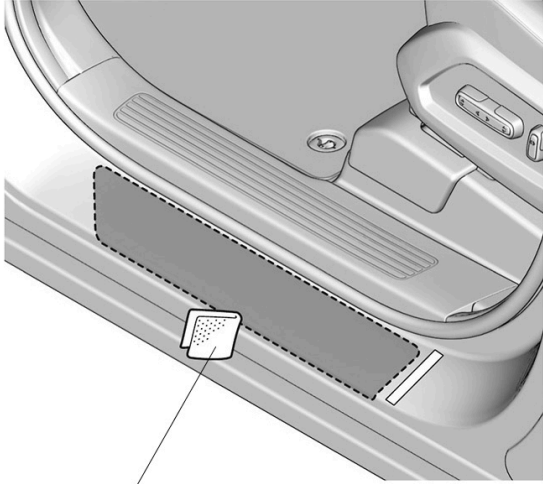
QP61103AD

## 3 Mark the masking tape.

## 4 Clean the attaching area.

### NOTE

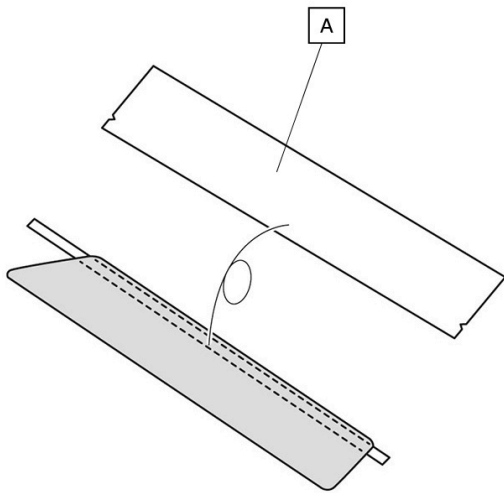
Allow to dry thoroughly.



QP61104AD

**A** ALCOHOL WIPE

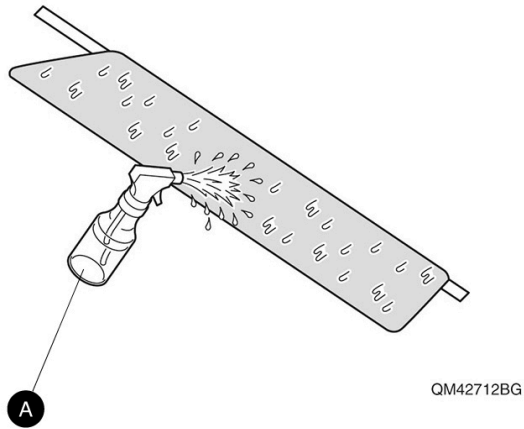
## 5 Remove the adhesive backing.



QP61105AD

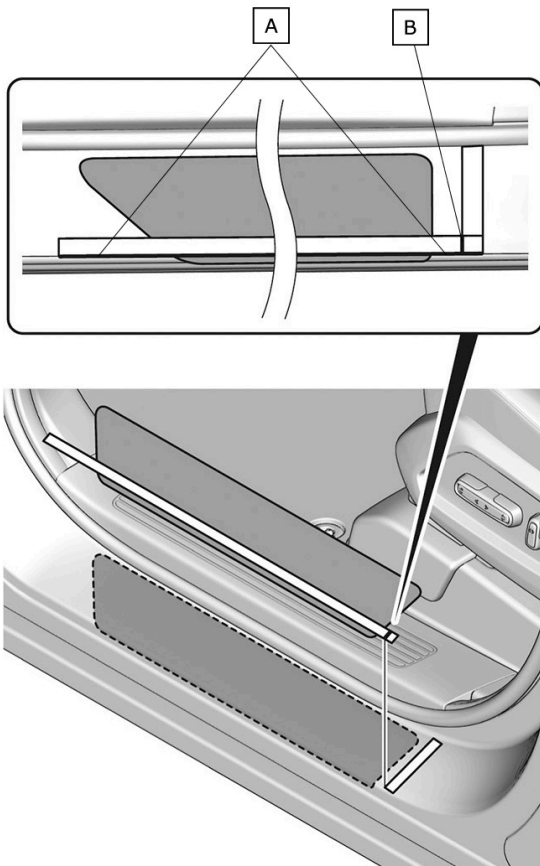
**A** ADHESIVE BACKING (Remove.)

## 6 Spray the left front protection film.



<b>A</b>	3M PROTECTIVE TAPE APPLICATION SOLUTION
----------	---

## 7 Line up the left front protection film.

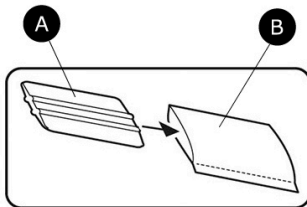


<b>A</b>	EDGE OF THE MASKING TAPE (Line up with the end of the curved surface.)
<b>B</b>	MARK (Line up with the edge of the masking tape.)

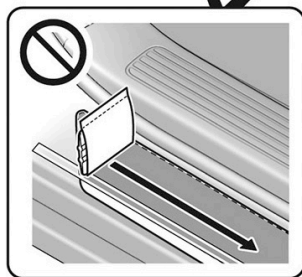
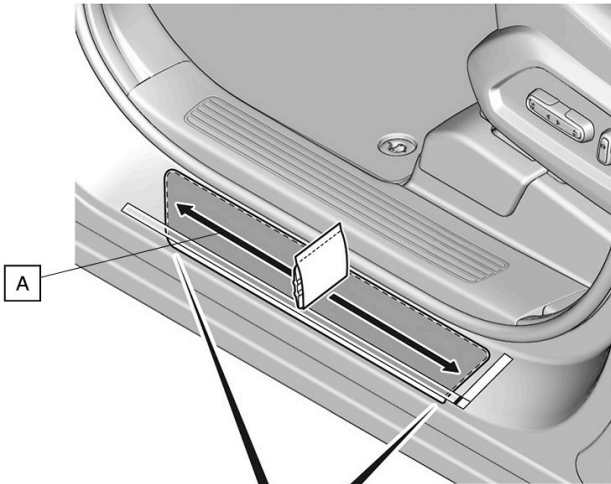
## 8 Secure the left front protection film.

### NOTE

- Work in one direction only.
- Make sure that there are no air bubbles.



<b>A</b>	APPLICATOR
<b>B</b>	FELT SLEEVE
<b>A</b>	Work from the center to the outside.

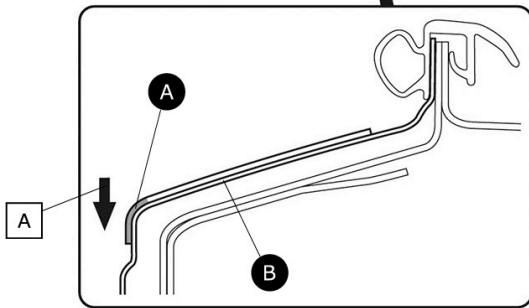
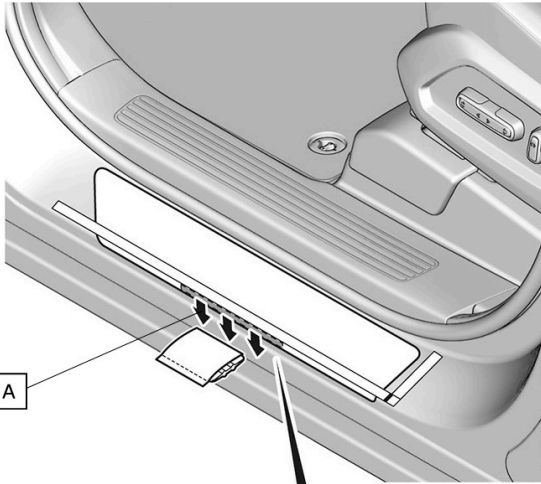


QP61107AD

## 9 Secure the left front protection film.

### NOTE

- Work in one direction only.
- Make sure that there are no air bubbles.



SECTION VIEW

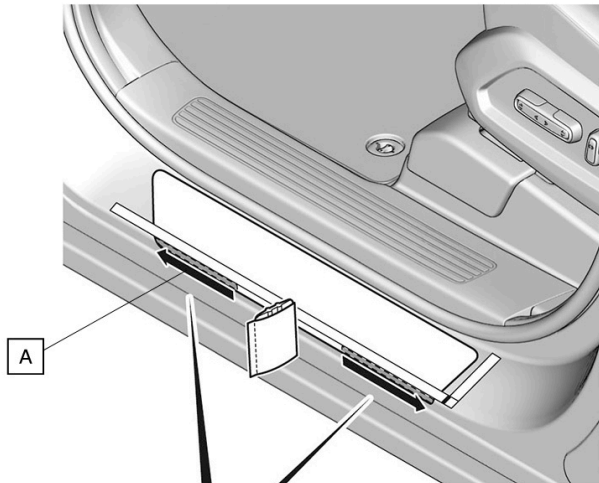
QP61108AD

A	Work from the inside to the outside.
A	LEFT FRONT PROTECTION FILM
B	VEHICLE PANEL

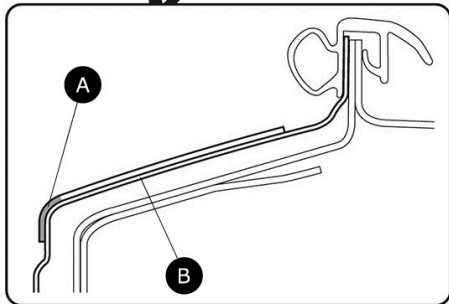
## 10 Secure the left front protection film.

### NOTE

- Work in one direction only.
- Make sure that there are no air bubbles.



A	Work from the center to the outside.
A	LEFT FRONT PROTECTION FILM
B	VEHICLE PANEL



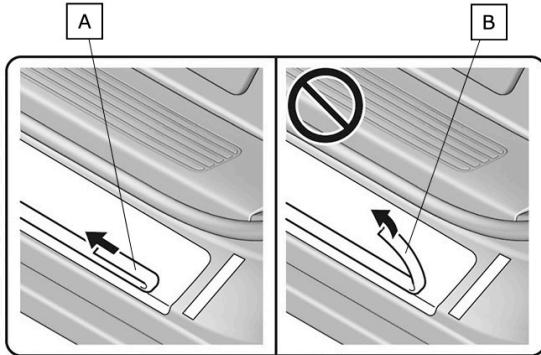
SECTION VIEW

QP61109AD

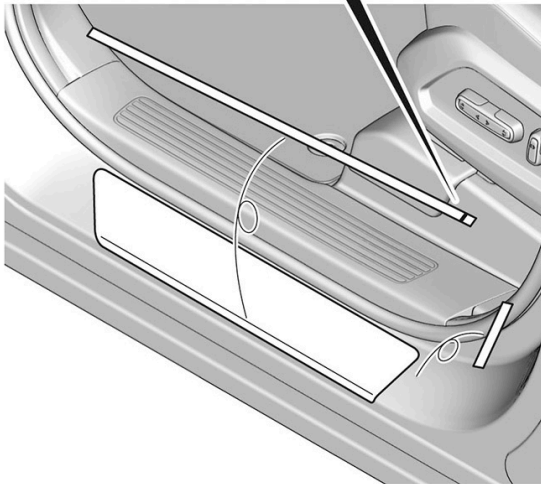
## 11 Remove the masking tape.

### NOTE

Carefully remove the masking tape from the top of the protection film and the vehicle panel. Make sure not to pull the part away from the vehicle panel.



A	Peel along the left front protection film.
B	Do not pull up.



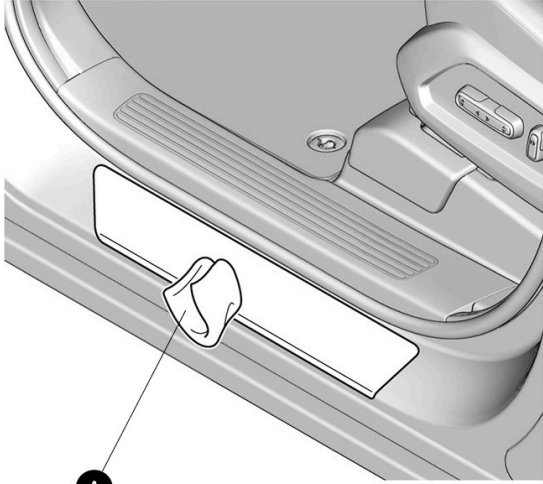
QP61110AD

## 12 Wipe off the 3M protective tape application solution.

### NOTE

Allow to dry thoroughly.

### SHOP TOWEL

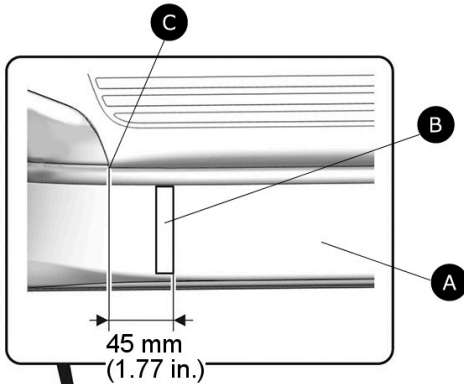
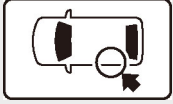


QP61111AD

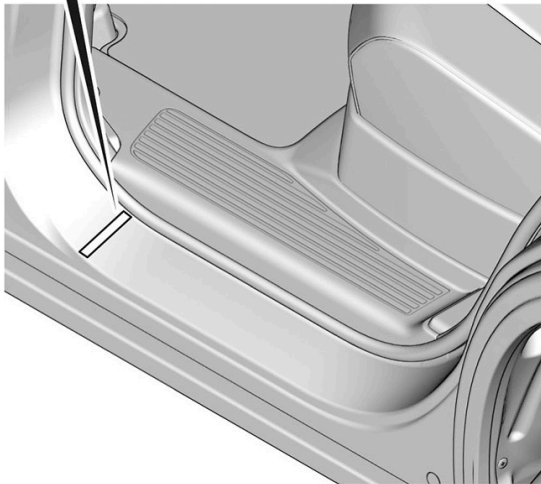


## Installing the Rear Protection Films

### 13 Attach masking tape.



<b>A</b>	VEHICLE PANEL
<b>B</b>	MASKING TAPE
<b>C</b>	EDGE OF THE LEFT REAR DOOR SILL TRIM

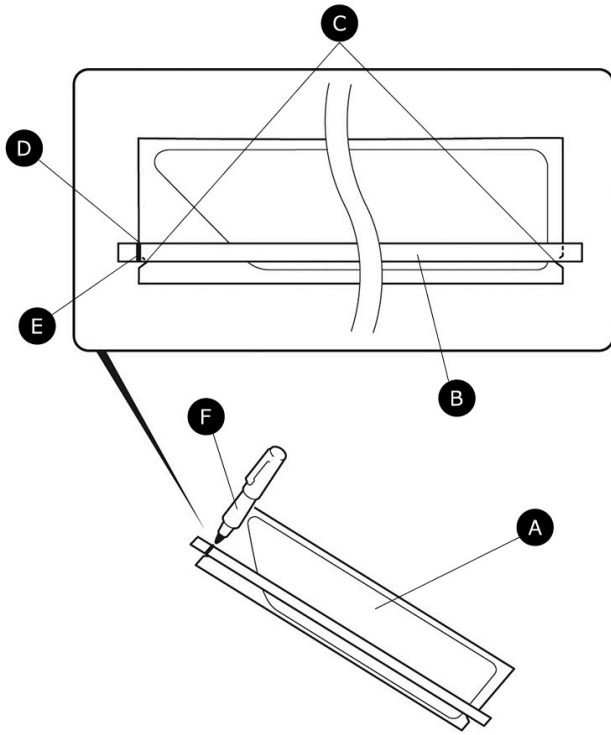


QP6112AD

## 14 Attach masking tape.

### NOTE

Make sure to prepare the correct identification mark before proceeding with the installation.



<b>A</b>	LEFT REAR PROTECTION FILM (identification mark: RR-L)
<b>B</b>	MASKING TAPE
<b>C</b>	V-NOTCH(2)
<b>D</b>	EDGE OF THE LEFT REAR PROTECTION FILM
<b>E</b>	MARK
<b>F</b>	FELT-TIP PEN

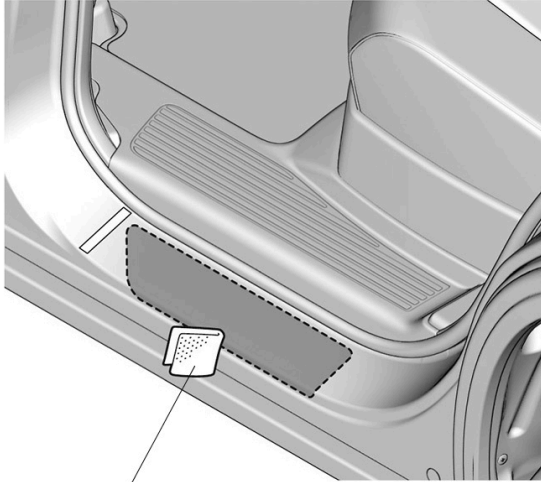
QP61113AD

## 15 Mark the masking tape.

## 16 Clean the attaching area.

### NOTE

Allow to dry thoroughly.

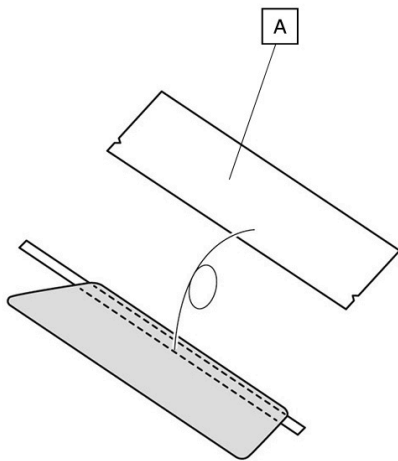


QP6114AD

A

 ALCOHOL WIPE

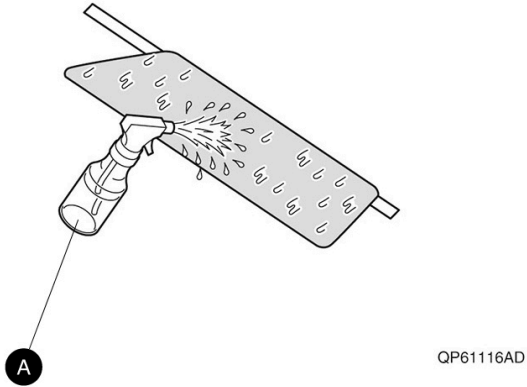
## 17 Remove the adhesive backing.



QP6115AD

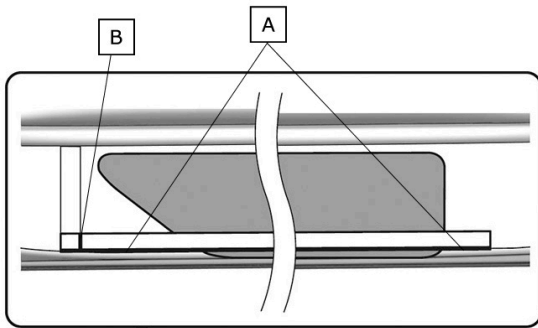
 ADHESIVE BACKING (Remove.)

## 18 Spray the left rear protection film.

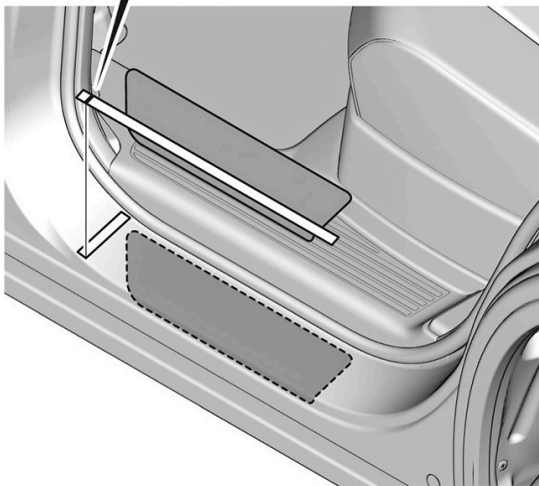


<b>A</b>	3M PROTECTIVE TAPE APPLICATION SOLUTION
----------	---

## 19 Line up the left rear protection film.



<b>A</b>	EDGE OF THE MASKING TAPE (Line up with the end of the curved surface.)
<b>B</b>	MARK (Line up with the edge of the masking tape.)

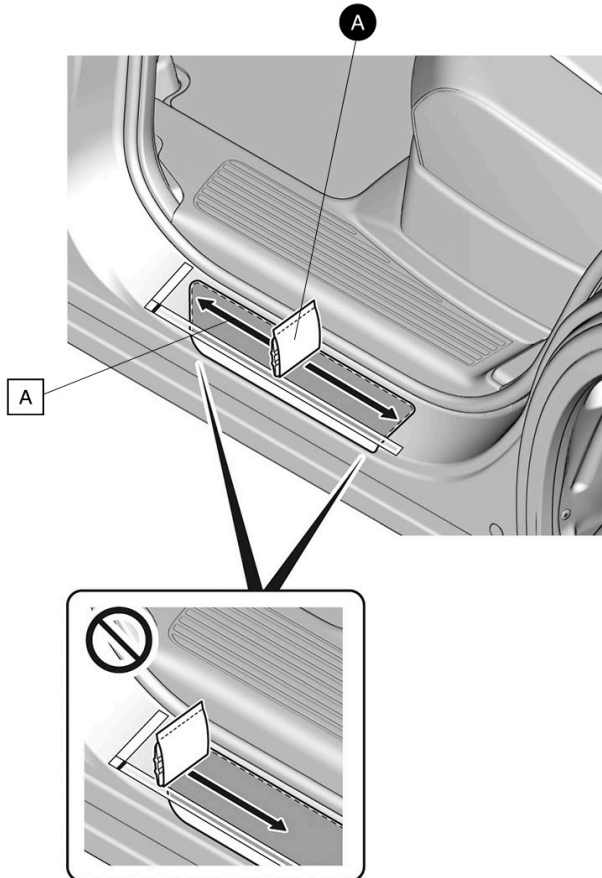


QP61201AD

## 20 Secure the left rear protection film.

### NOTE

- Work in one direction only.
- Make sure that there are no air bubbles.



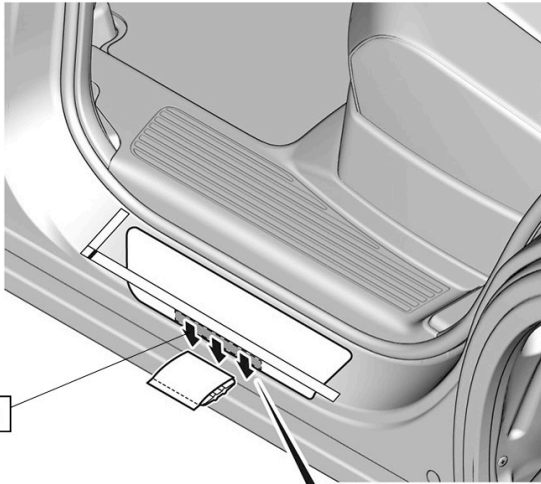
<b>A</b>	FELT SLEEVE
<b>A</b>	Work from the center to the outside.

QP61202AD

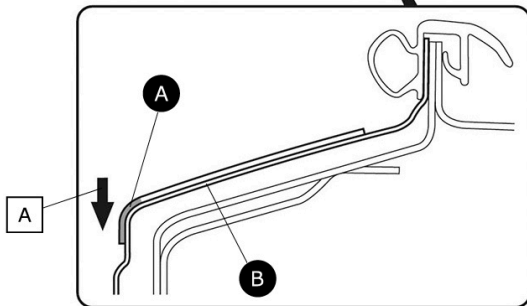
## 21 Secure the left rear protection film.

### NOTE

- Work in one direction only.
- Make sure that there are no air bubbles.



A	Work from the inside to the outside.
A	LEFT REAR PROTECTION FILM
B	VEHICLE PANEL



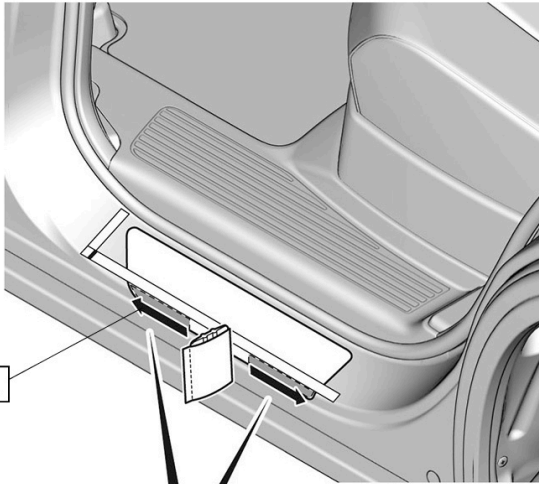
SECTION VIEW

QP61203AD

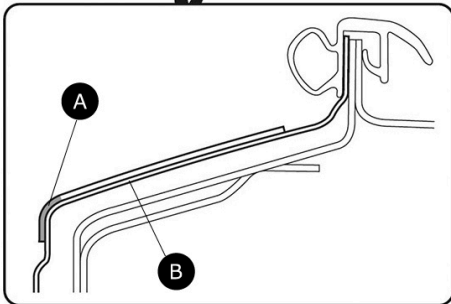
## 22 Secure the left rear protection film.

### NOTE

- Work in one direction only.
- Make sure that there are no air bubbles.



<b>A</b>	Work from the center to the outside.
<b>A</b>	LEFT REAR PROTECTION FILM
<b>B</b>	VEHICLE PANEL



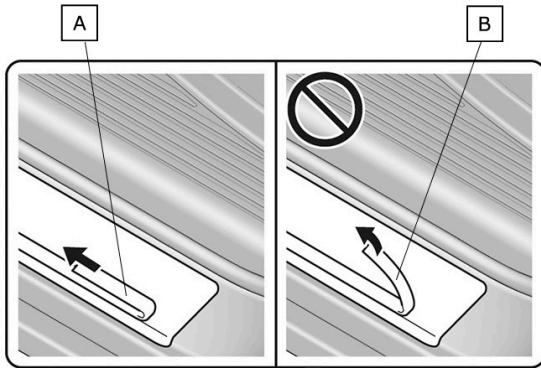
SECTION VIEW

QP61204AD

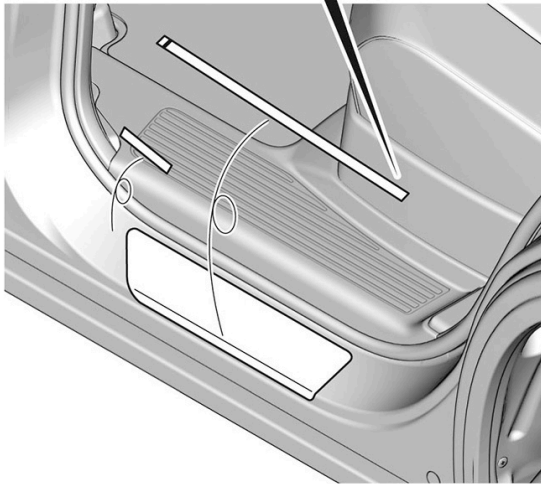
## 23 Remove the masking tape.

### NOTE

Carefully remove the masking tape from the top of the protection film and the vehicle panel. Make sure not to pull the part away from the vehicle panel.



A	Peel along the left rear protection film.
B	Do not pull up.



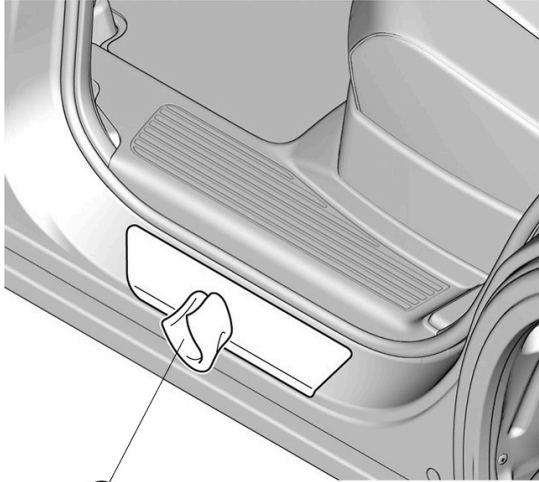
QP61205AD



**24** Wipe off the 3M protective tape application solution.

**NOTE**

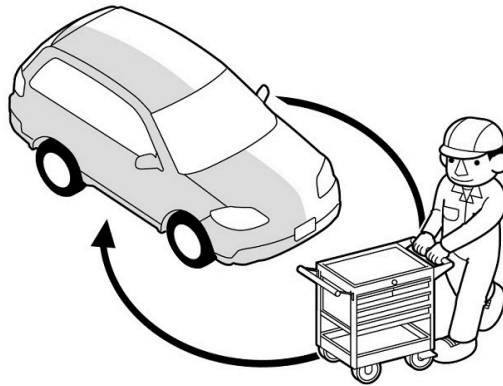
Allow to dry thoroughly.



QP61206AD

**A** SHOP TOWEL

**25** Repeat steps 1 through 24 on the other side.



Q9D1014AM

**26** Check that all parts are installed properly.