



INSTALLATION INSTRUCTIONS

Accessory OIL PAN GUARD	Application 2024 PASSPORT MODEL SERIES	Publications No. VERSION 1
		Issue Date SEP 2023

GENERAL VIEW



OIL PAN GUARD

QN32302AG

www.collegehillshonda.com

FOR YOUR SAFETY (Read carefully.)

Warning Symbols

Safety: Your safety, and the safety of others, is important. To help you make informed decisions about service procedures, we have provided safety messages where appropriate. Of course, it is not practical or possible to warn you about all the hazards associated with servicing a vehicle - you must use your own good judgment.

You will find important safety messages preceded by one of the following symbols:

*All symbols are not used in all installation instructions.

 **DANGER**

You will be killed or seriously hurt if you do not follow the instructions.

 **WARNING**

You can be killed or seriously hurt if you do not follow the instructions.

 **CAUTION**

You can be hurt if you do not follow the instructions.

NOTICE

Gives advice to prevent damage to the product, vehicle, the environment or other property.

NOTE

Gives helpful information or instructions to be followed when installing this product.

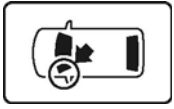


Indicates a prohibited action.

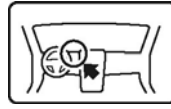
Procedure and Location Icons

These icons indicate the work location and the worker's point of view.

*All icons are not used in all installation instructions.



The location on the vehicle.



The location in the vehicle.
(Instrument panel.)



Wear eye protection.



Wear heavy gloves.



Use an assistant.



Place the part on a blanket.



Work perpendicular.



Remove any burrs.



Use touch-up paint and allow to dry.



Tighten to the specified torque.



Apply firm pressure while rolling, especially at the ends, to set the adhesive.



Press firmly.



Clean with isopropyl alcohol.



Return the original part to the customer.
(Do not reuse.)

Safety: General

www.collegehillshonda.com


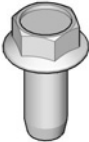
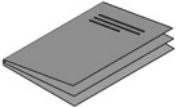
- Observe all safety notes and precautions described in the service information, in addition to those described in this Installation Instruction. Be extremely careful for your safety and safety of others.
- Be careful not to damage the vehicle or the parts.
- Be extremely careful when handling retaining tabs and clips.
- The illustrations may differ slightly from the actual accessory.

Safety: Accessory

Always use the parts and tools specified in the installation instructions.

PARTS LIST

Oil Pan Guard Kit (P/N 08P46-T6Z-100A)

<p>Oil pan guard</p> 	<p>Flange bolts (4)</p> 	<p>Accessory User's Information Manual</p> 
--	---	---

REQUIRED TOOLS AND SUPPLIES

- Ratchet
- 10 mm and 14 mm Sockets
- Torque wrench

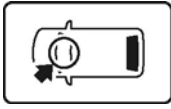
The following tools are available through the Honda Tool and Equipment Program:

- Trim Tool Set (T/N SOJATP2014)
- Plastic Trim Tool (T/N SILTRIMTL10)

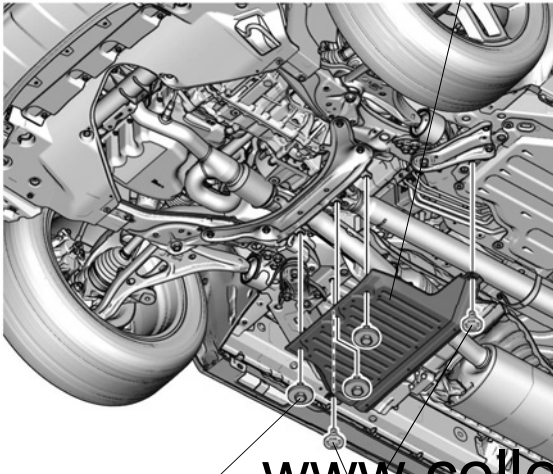
www.collegehillshonda.com

INSTALLATION

1. Lift up the vehicle.
2. Remove the engine under cover.



ENGINE UNDER COVER



3 BOLTS



2 CLIPS



QN32306AG

www.collegehillshonda.com

3. Loosely install the oil pan guard.

NOTE

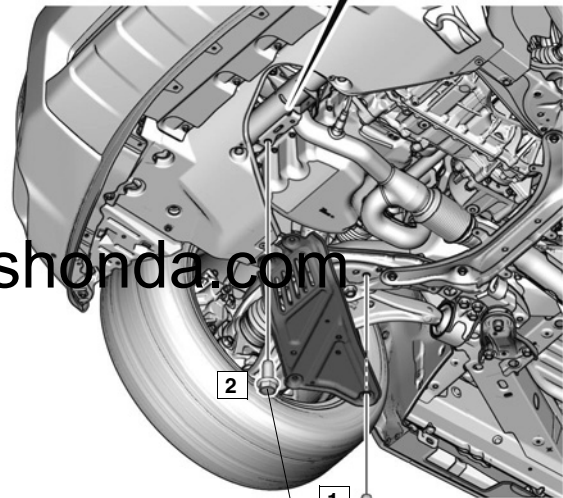
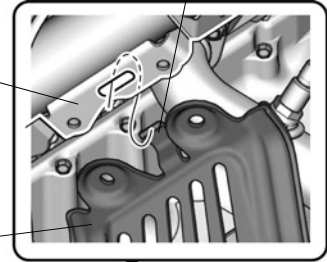
Install in the order shown.



HOOK

VEHICLE FRAME

OIL PAN GUARD



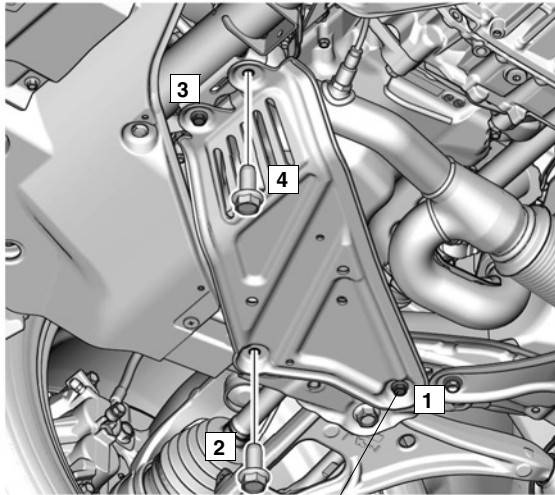
2 FLANGE BOLTS
(Loosely secure.)

QN32303BG

- Secure the oil pan guard.

NOTE

Secure in the order shown.



4 FLANGE BOLTS

QN32305BG



- Check that all parts are installed properly.
- Give the Accessory User's Information Manual to the customer.

www.collegehillshonda.com