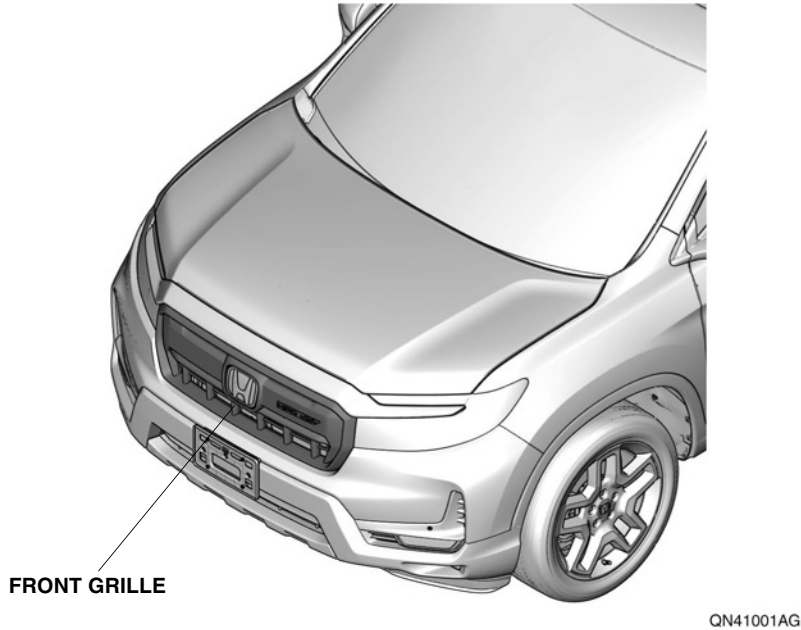




INSTALLATION INSTRUCTIONS

Accessory FRONT GRILLE	Application 2024 PASSPORT MODEL SERIES	Publications No. VERSION 1
		Issue Date SEP 2023

GENERAL VIEW



www.collegehillshonda.com

FOR YOUR SAFETY (Read carefully.)

Warning Symbols

Safety: Your safety, and the safety of others, is important. To help you make informed decisions about service procedures, we have provided safety messages where appropriate. Of course, it is not practical or possible to warn you about all the hazards associated with servicing a vehicle - you must use your own good judgment.

You will find important safety messages preceded by one of the following symbols:

*All symbols are not used in all installation instructions.

 **DANGER**

You will be killed or seriously hurt if you do not follow the instructions.

 **WARNING**

You can be killed or seriously hurt if you do not follow the instructions.

 **CAUTION**

You can be hurt if you do not follow the instructions.

NOTICE

Gives advice to prevent damage to the product, vehicle, the environment or other property.

NOTE

Gives helpful information or instructions to be followed when installing this product.

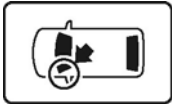


Indicates a prohibited action.

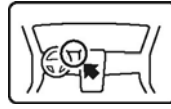
Procedure and Location Icons

These icons indicate the work location and the worker's point of view.

*All icons are not used in all installation instructions.



The location on the vehicle.



The location in the vehicle.
(Instrument panel.)



Wear eye protection.



Wear heavy gloves.



Use an assistant.



Place the part on a blanket.



Work perpendicular.



Remove any burrs.



Use touch-up paint and allow to dry.



Tighten to the specified torque.



Apply firm pressure while rolling, especially at the ends, to set the adhesive.



Press firmly.



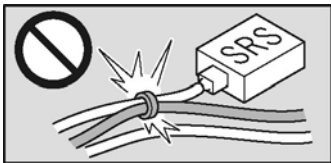
Clean with isopropyl alcohol.



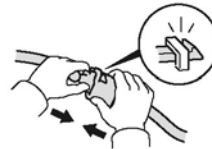
Return the original part to the customer.
(Do not reuse.)

Wire Harness Routing Precaution

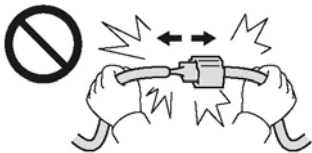
www.collegehillshonda.com



Do not secure the accessory harness to the SRS harness. (except for instruction cases.)



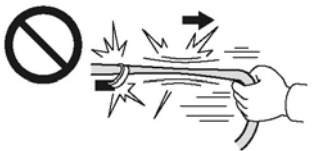
Push the connectors and terminals together until they lock.



Do not pull the harness to unplug the connectors.



Install removed connectors in their original location.



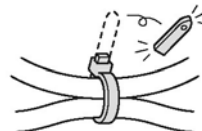
Do not pull the harness.



Secure the accessory harness as shown.



Do not pinch the harness.



Cut off the excess wire tie.

Safety: General

- Observe all safety notes and precautions described in the service information, in addition to those described in this Installation Instruction. Be extremely careful for your safety and safety of others.
- Be careful not to damage the vehicle or the parts.
- Be extremely careful when handling retaining tabs and clips.
- Note the locations of the parts before removing them so they can be properly installed in their original positions.
- The illustrations may differ slightly from the actual accessory.

Safety: Electric Parts

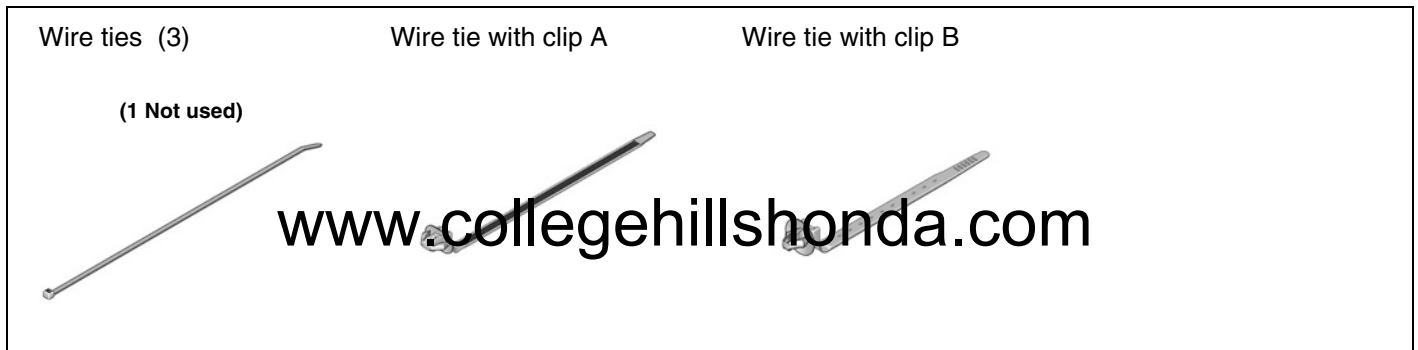
Always disconnect the negative cable from the battery before beginning work.

Safety: Accessory

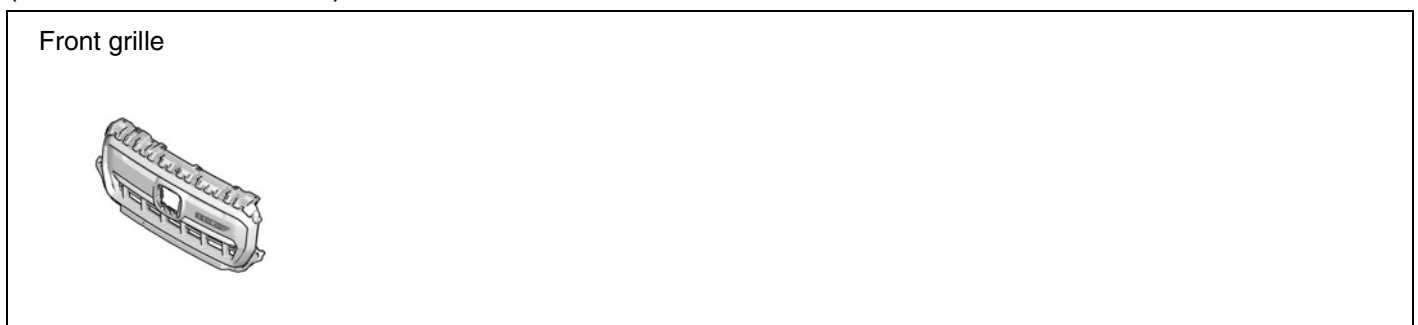
Always use the parts and tools specified in the installation instructions.

PARTS LIST

Front Grille Attachment Kit
(P/N 08F21-TGS-100A)
(P/N 08F21-TGS-P00A)



Front Grille Kit
(P/N 08F21-T6Z-100B)
(P/N 08F21-T6Z-P00B)



REQUIRED TOOLS AND SUPPLIES

- Phillips screwdriver
- 10 mm Socket
- Shop towel
- Stubby Phillips screwdriver
- Flat-tip screwdriver
- Ratchet
- Masking tape
- 10 mm Open end wrench
- Blanket
- Diagonal cutters

The following tools are available through the Honda Tool and Equipment Program:

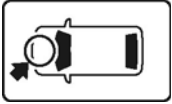
- Trim Tool Set (T/N SOJATP2014)
- Plastic Trim Tool (T/N SILTRIMTL10)

INSTALLATION

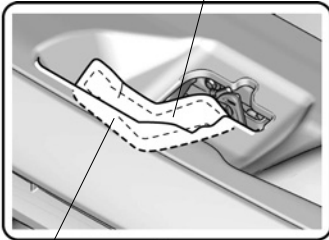
1. Wrap a shop towel.

NOTE

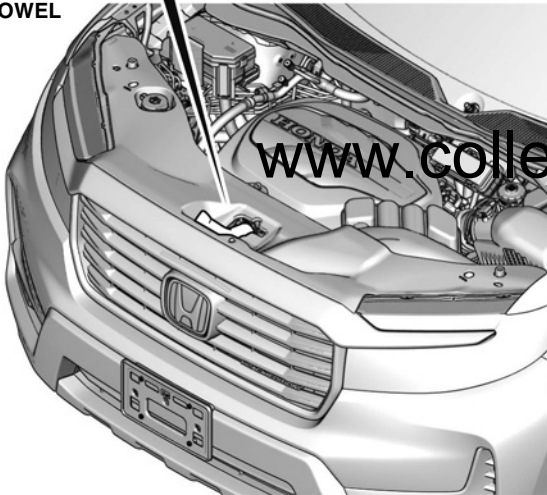
Do not remove the shop towel until after the parts are installed.



HOOD LATCH LEVER

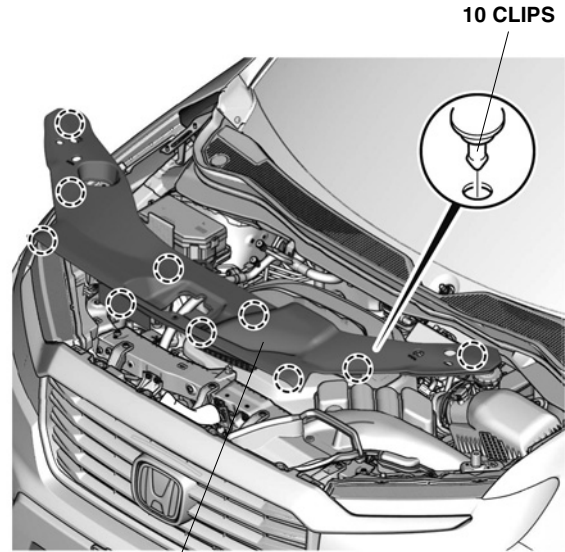


SHOP TOWEL



QN41002AG

2. Remove the front bulkhead cover.

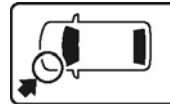


10 CLIPS

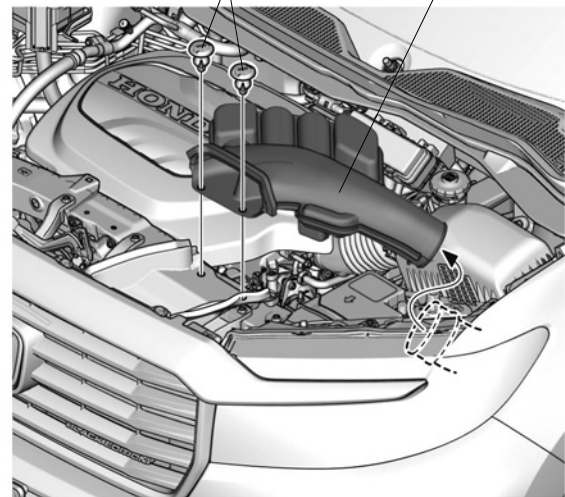
FRONT BULKHEAD COVER

QN41003AG

3. Remove the intake air tube.



INTAKE AIR TUBE



2 CLIPS

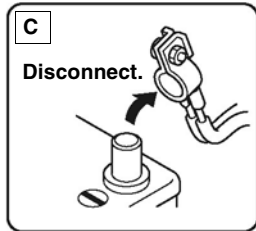
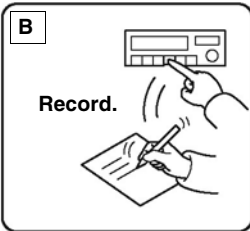
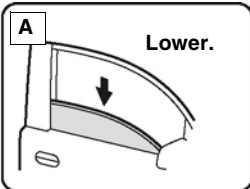
QN41004AG

www.collegehillshonda.com

- Disconnect the negative cable from the battery.

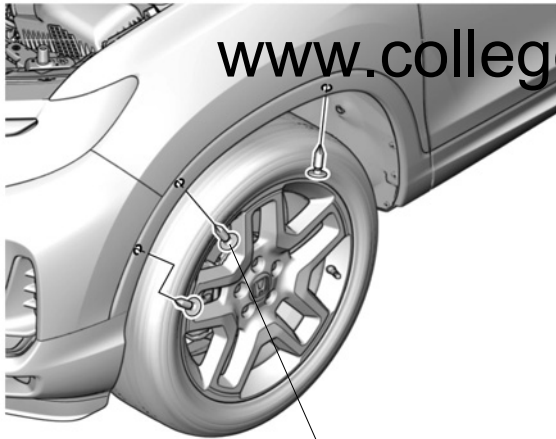
NOTE

With the driver's door open, turn the vehicle to the OFF (LOCK) mode, then disconnect the negative battery cable from the 12V battery, then wait 3 minutes before starting work.



QCD0502BM

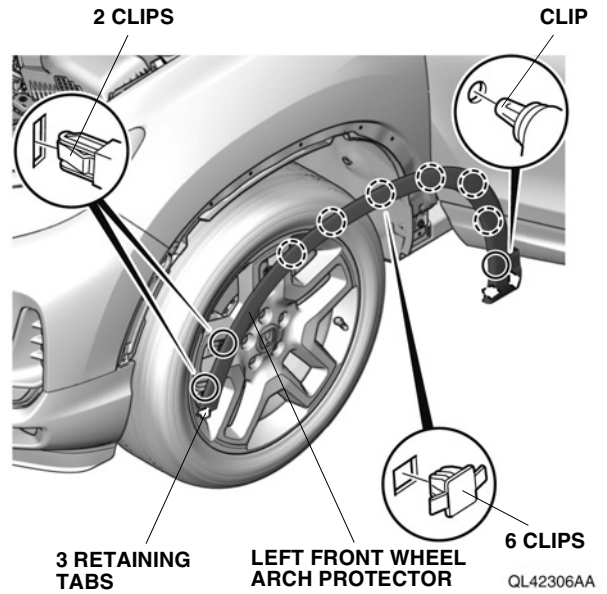
- Remove the self-tapping screws.



3 SELF-TAPPING SCREWS

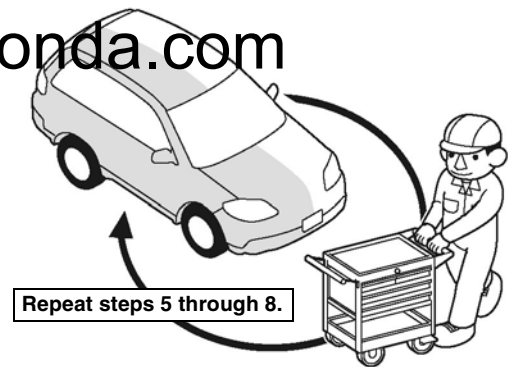
QL42305AA

- Open the left front door.
- Remove the left front wheel arch protector.



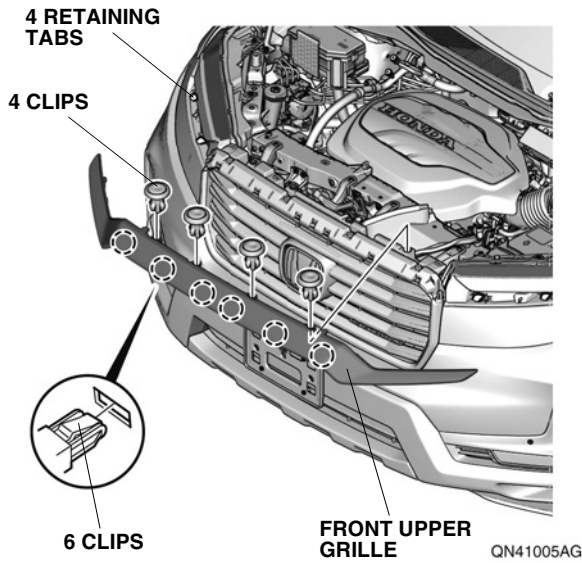
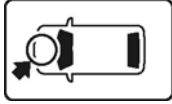
- Close the left front door.
- Repeat the same procedures on the other side.

www.collegehillshonda.com



Q9D1014AM

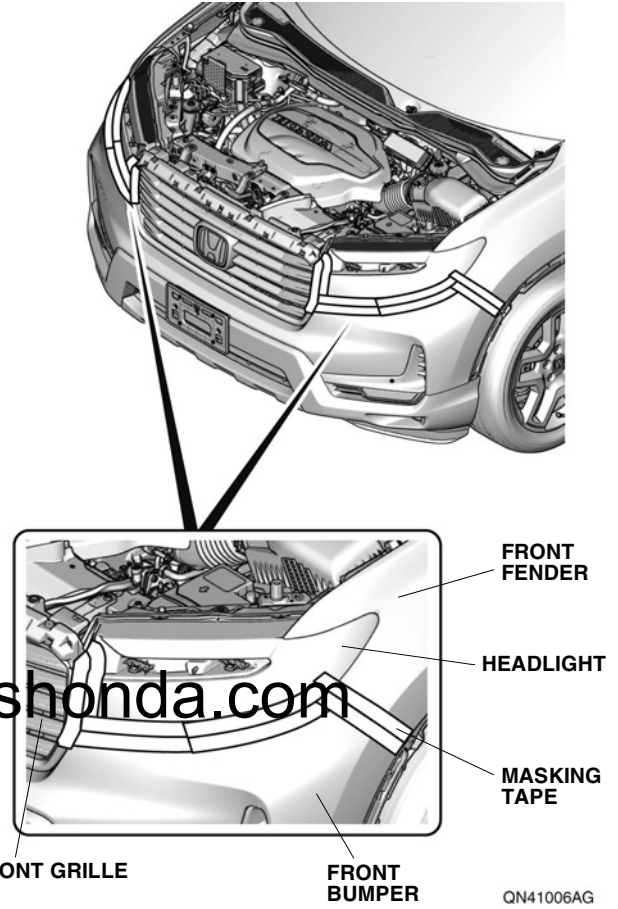
10. Remove the front upper grille.



11. Attach masking tape to protect the vehicle.

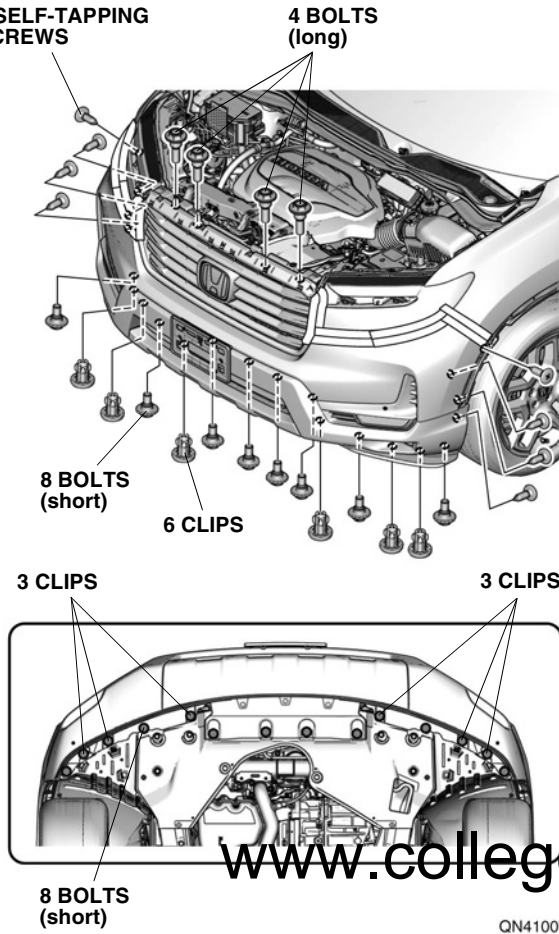
NOTE

Do not remove the masking tape until after the parts are installed.



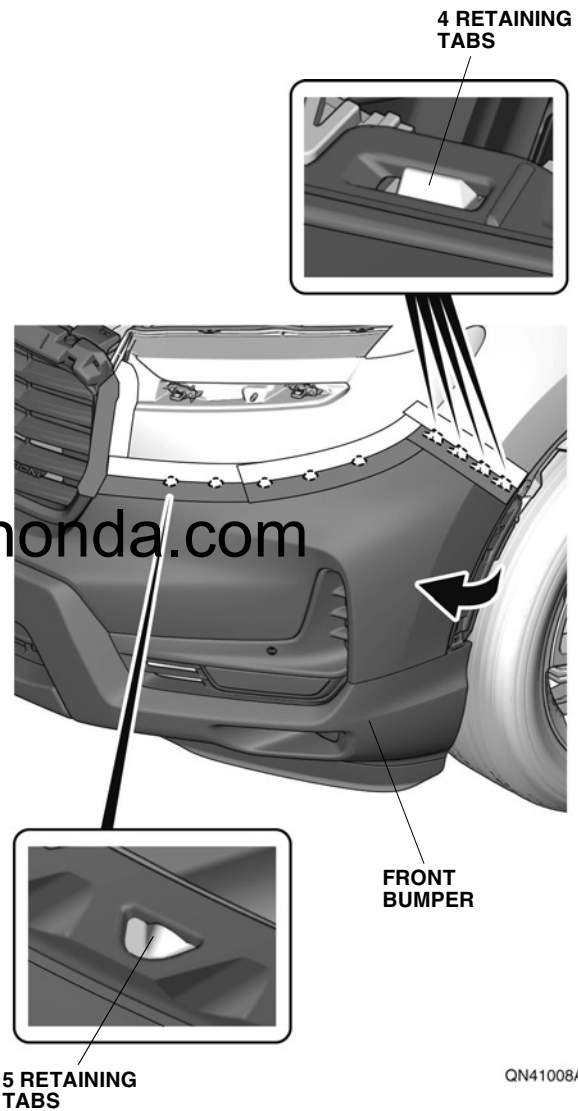
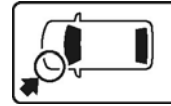
www.collegehillshonda.com

12. Remove the clips, bolts, and self-tapping screws.



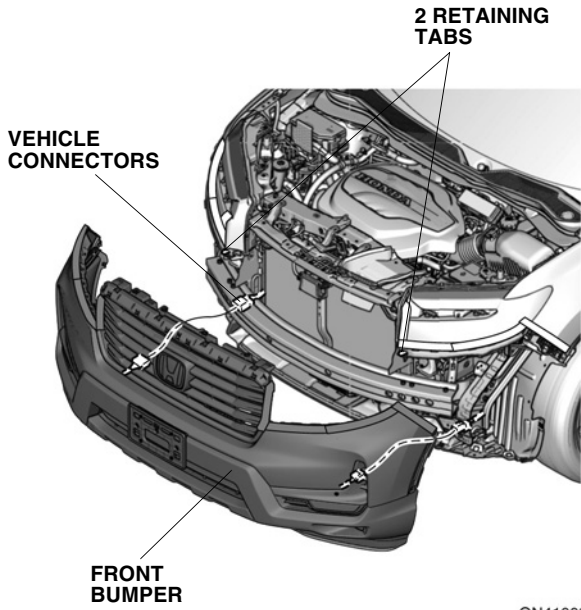
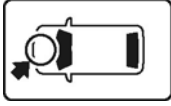
13. Release the retaining tabs.

NOTE
<ul style="list-style-type: none">• Release the retaining tabs starting from outside working in.• Make sure to release the retaining tabs in the correct orientation.



14. Repeat step 13 on the other side.

15. Remove the front bumper.



QN41009AG

www.collegehillshonda.com

16. Choose one of these options.

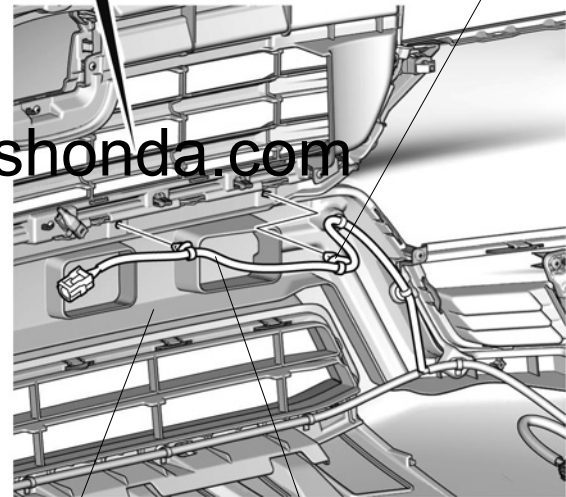
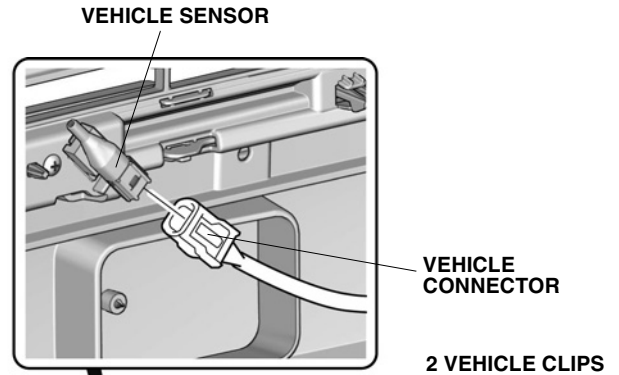
• With BLACK EDITION emblem on the vehicle front grille

Go to step 17

• Without BLACK EDITION emblem on the vehicle front grille

Go to step 22

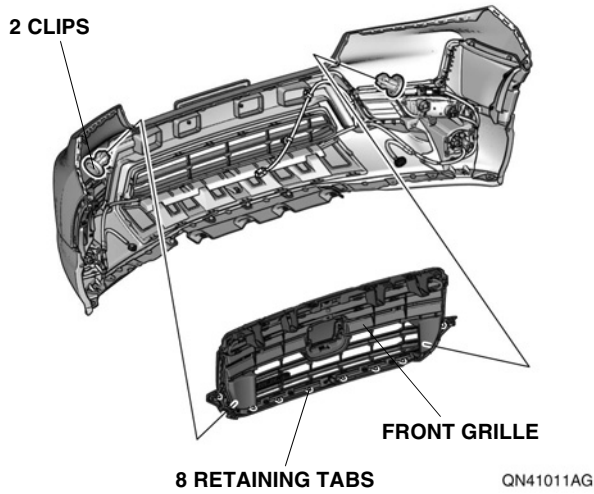
17. Unplug the vehicle connector.



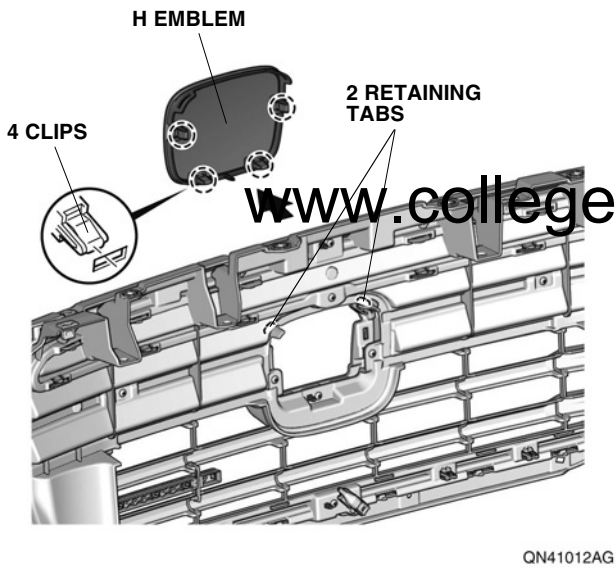
QN41010AG

18. Release the vehicle harness.

19. Remove the front grille.

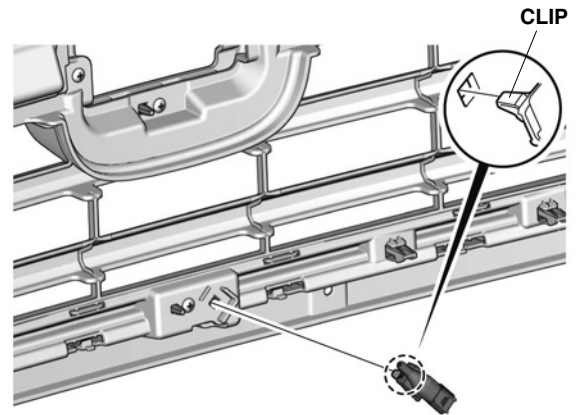


20. Remove the H emblem.



21. Remove the vehicle sensor.

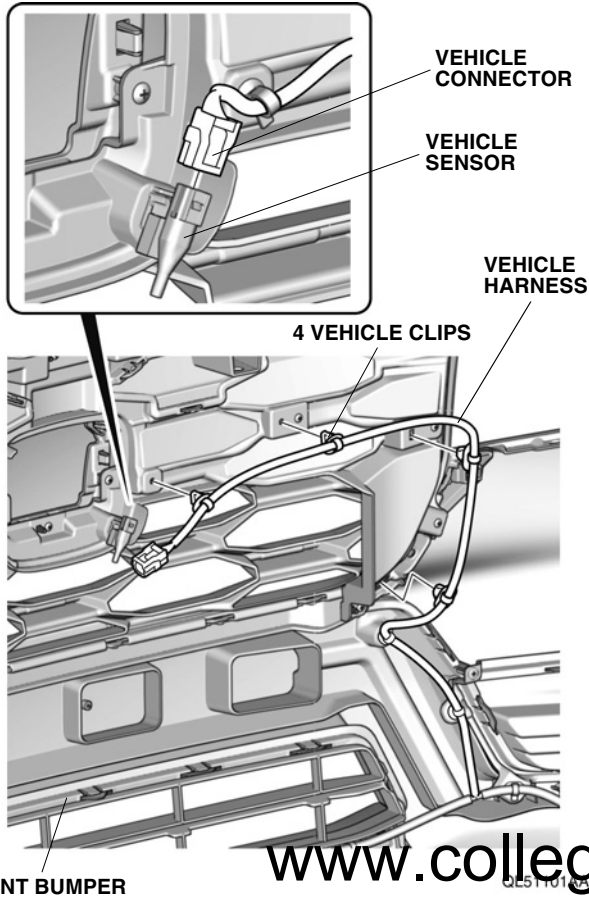
NOTE
Be careful not to damage the clip of the vehicle sensor.



Go to step 28

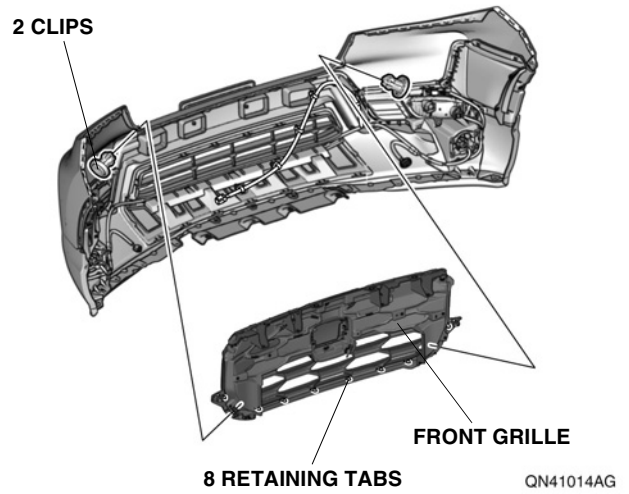
www.collegehillshonda.com

22. Unplug the vehicle connector.

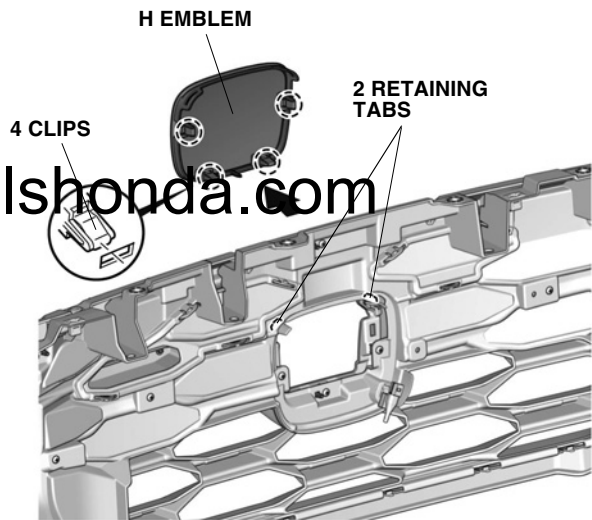


23. Release the vehicle harness.

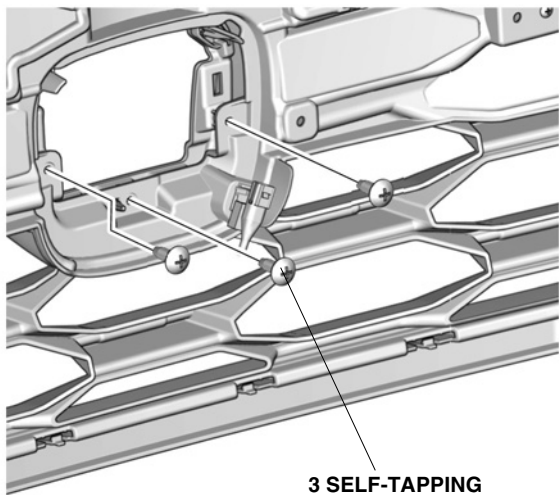
24. Remove the front grille.



25. Remove the H emblem.



26. Remove the self-tapping screws.



3 SELF-TAPPING SCREWS

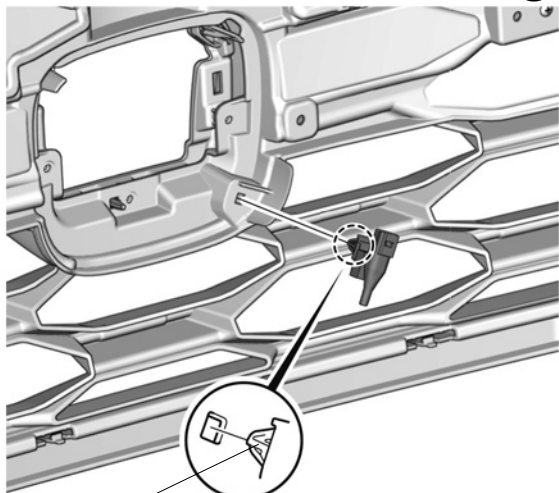


QL82301AN

27. Remove the vehicle sensor.

NOTE

Be careful not to damage the clip of the vehicle sensor.



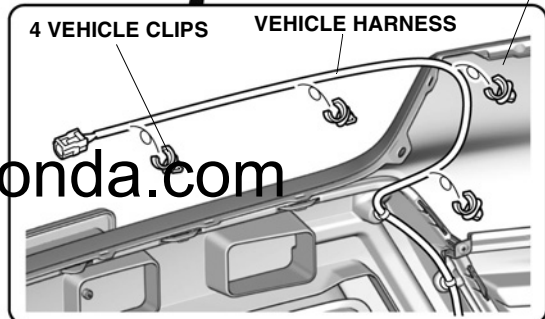
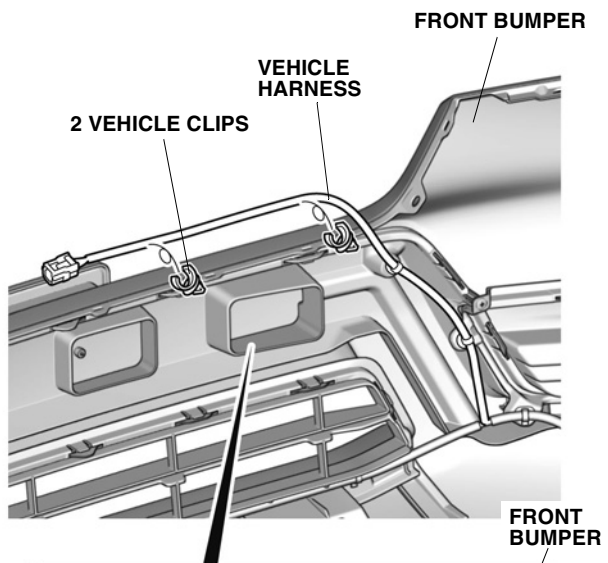
CLIP

QL51106BA

28. Remove the vehicle clips.

NOTE

Be careful not to damage the vehicle harness.

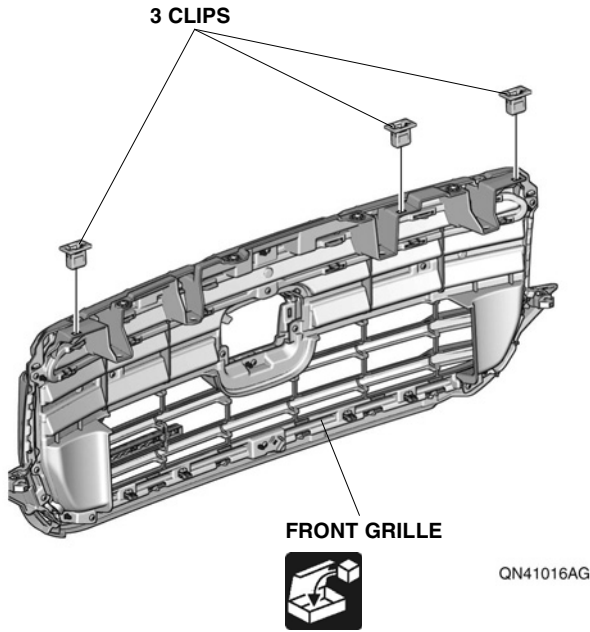


WITHOUT BLACK EDITION EMBLEM ON THE VEHICLE FRONT GRILLE

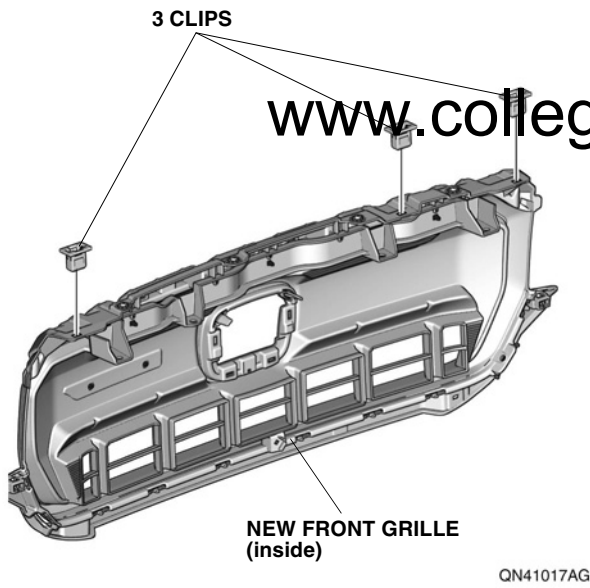
QN61501AA

www.collegehillshonda.com

29. Remove the clips.



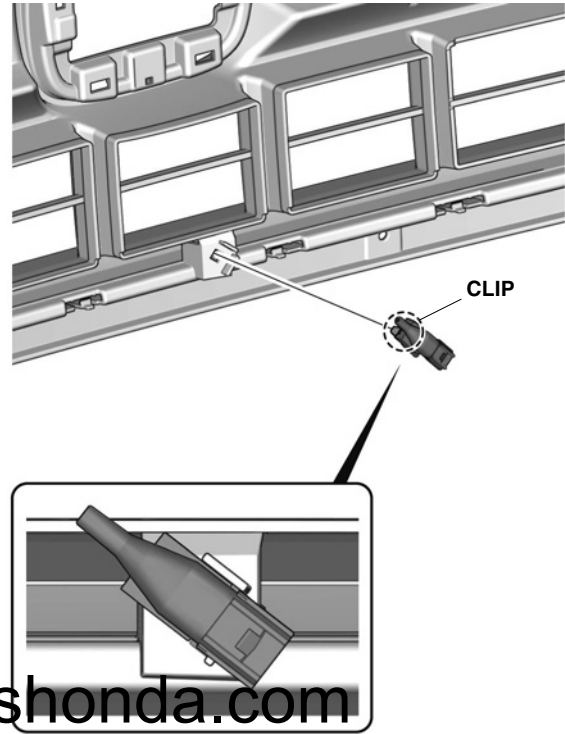
30. Install the clips.



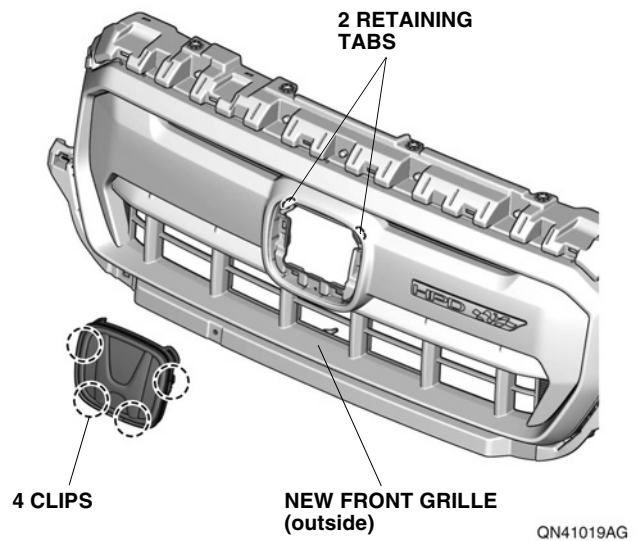
31. Install the vehicle sensor.

NOTE

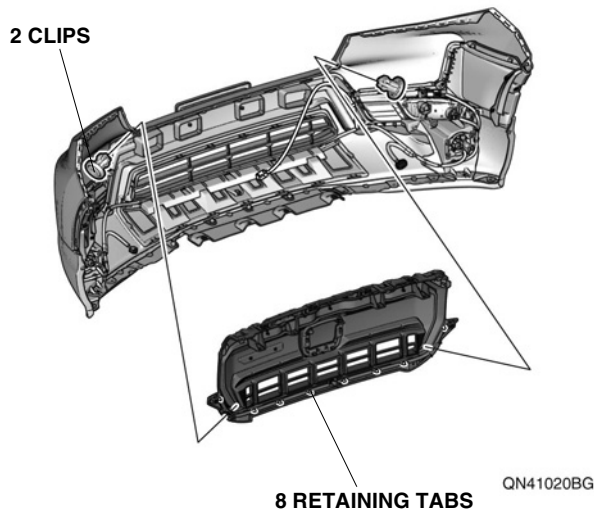
Make sure to install the vehicle sensor in the correct orientation.



32. Install the H emblem.



33. Install the new front grille.

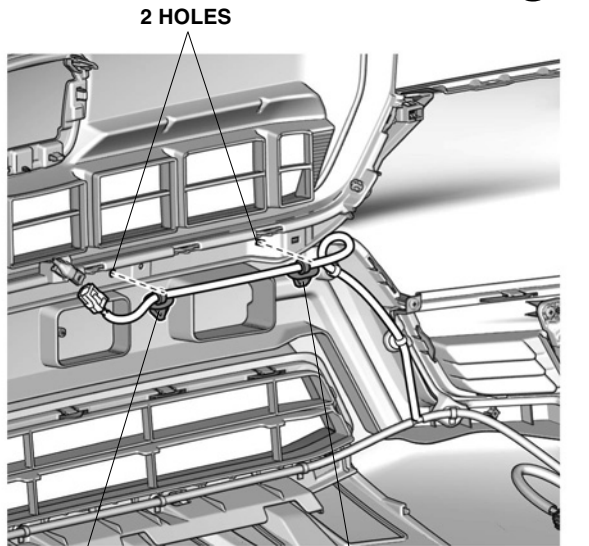


34. Loosely install the wire tie with clip A and wire tie with clip B.

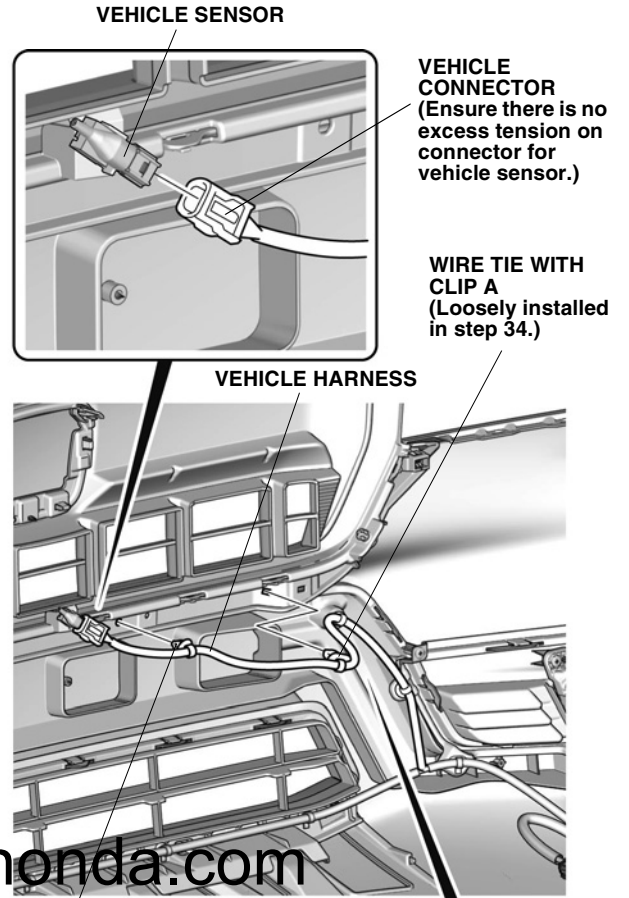
NOTE

Make sure to install the wire ties with clip in the correct position.

www.collegehillshonda.com

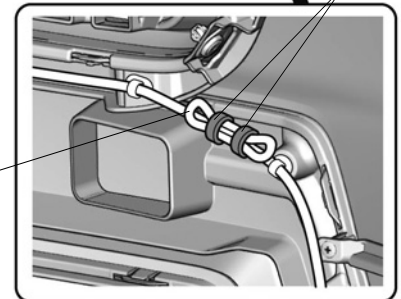


35. Plug-in the vehicle connector.



WIRE TIE WITH CLIP B
(Loosely installed in step 34.)

Bundle up the excess.



WITHOUT BLACK EDITION EMBLEM ON THE VEHICLE FRONT GRILLE

QN41021AG

36. Ensure the wire tie with clip A and wire tie with clip B are tight.

37. Secure the vehicle harness.

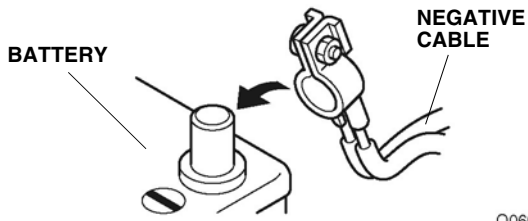
38. Check that all parts are installed and properly routed.

NOTE

- Check that all harnesses are not pulled or pinched.
- Make sure all clips and wire ties are securely installed.

39. Install all removed parts except for the front bulkhead cover and intake air tube.

40. Connect the negative cable to the battery.



41. Install the front bulkhead cover and intake air tube.

42. Make sure all accessories and systems operate properly.

43. If necessary, restore the systems back to normal operation as described in the service information.

44. Press and hold the audio unit power button for 2 seconds to restore the audio and navi (if equipped) system functions.

www.collegehillshonda.com