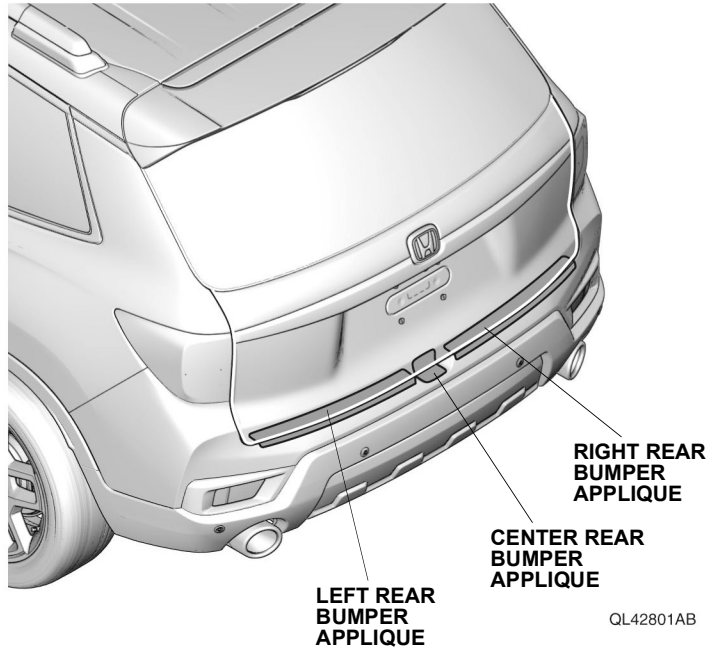




INSTALLATION INSTRUCTIONS

Accessory REAR BUMPER APPLIQUES	Application 2019 PASSPORT MODEL SERIES	Publications No. VERSION 1
		Issue Date OCT 2022

GENERAL VIEW



www.collegehillshonda.com

FOR YOUR SAFETY (Read carefully.)

Warning Symbols

Safety: Your safety, and the safety of others, is important. To help you make informed decisions about service procedures, we have provided safety messages where appropriate. Of course, it is not practical or possible to warn you about all the hazards associated with servicing a vehicle - you must use your own good judgment.

You will find important safety messages preceded by one of following symbols:

*All symbols are not used in all installation instructions.

⚠ DANGER

You will be killed or seriously hurt if you do not follow the instructions.

⚠ WARNING

You can be killed or seriously hurt if you do not follow the instructions.

⚠ CAUTION

You can be hurt if you do not follow the instructions.

NOTICE

Gives advice to prevent damage to the product, vehicle, the environment or other property.

NOTE

Gives helpful information or instructions to be followed when installing this product.

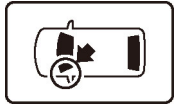


Indicates a prohibited action.

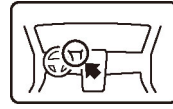
Procedure and Location Icons

These icons indicate the work location and the worker's point of view.

*All icons are not used in all installation instructions.



The location on the vehicle.



The location in the vehicle.
(instrument panel.)



Wear eye protection.



Wear heavy gloves.



Use an assistant.



Place the part on a blanket.



Work perpendicular.



Remove any burrs.



Use touch-up paint and allow to dry.



Tighten to the specified torque.



Apply firm pressure while rolling, especially at the ends, to set the adhesive.



Press firmly.



Clean with isopropyl alcohol.



Return the original part to the customer.
(Do not reuse.)

Safety: General

www.collegehillshonda.com

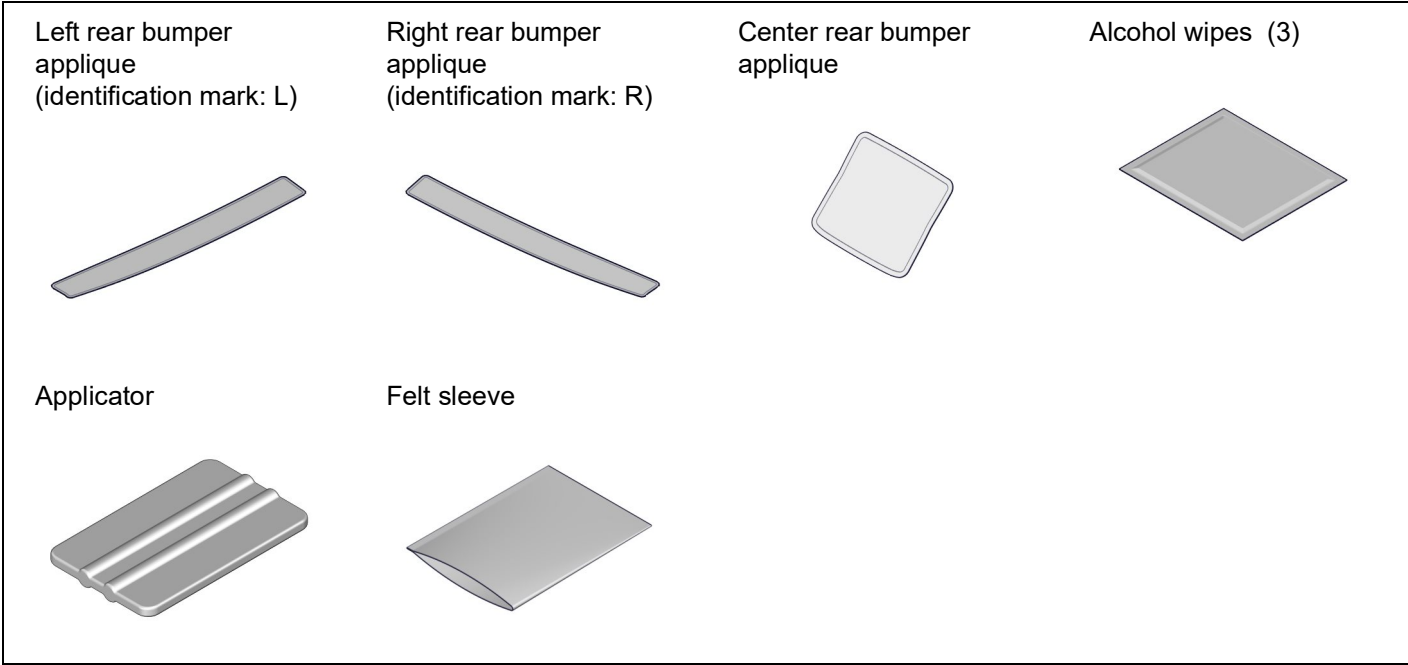
- Be careful not to damage the vehicle or the parts.
- The illustrations may differ slightly from the actual accessory.

Safety: Accessory

- Do not install the accessory on a dirty surface or in direct sunlight.
- Make sure the ambient air temperature is 60°F (15°C) or above when installing accessories that use adhesive material.
- When applying adhesive material, make sure it is lined up properly before attaching. Once the adhesive material touches the surface, do not try to remove it. If you do, you could damage the part.
- Cover nearby parts with a shop towel to prevent getting them wet.
- Always wear gloves when working with 3M protective tape application solution.
- Use 3M protective tape application solution with a spray bottle.
- Do not wash the vehicle for 24 hours to allow the adhesive to cure.

PARTS LIST

Rear Bumper Appliques Kit (P/N 08P48-TGS-100A)



REQUIRED TOOLS AND SUPPLIES

- Shop towel
- Gloves
- 3M Protective tape application solution
- Mini Soft Spreader/Applicator (T/N SBSA2302Y5PK)

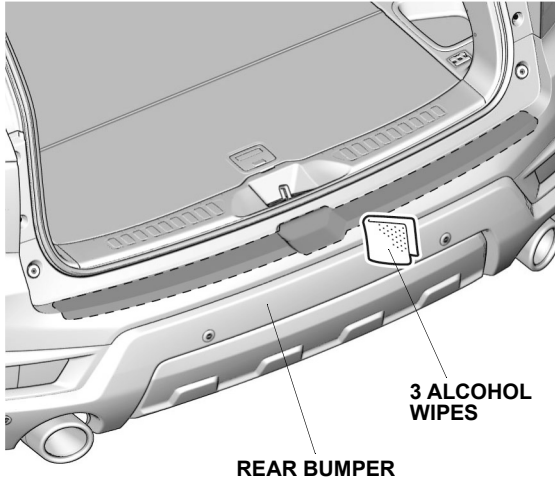
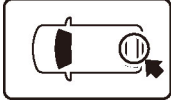
www.collegehillshonda.com

INSTALLATION

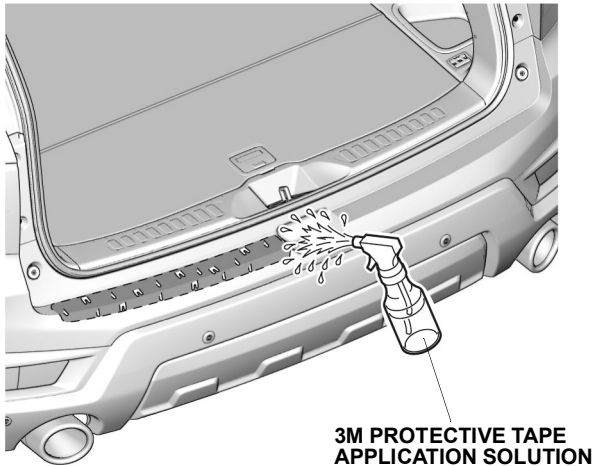
1. Clean the attaching area.

NOTE

Allow to dry thoroughly.



2. Spray the rear bumper.

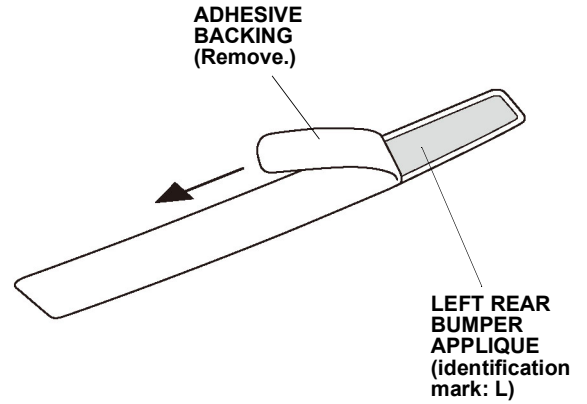


QL42803AB

3. Remove the adhesive backing.

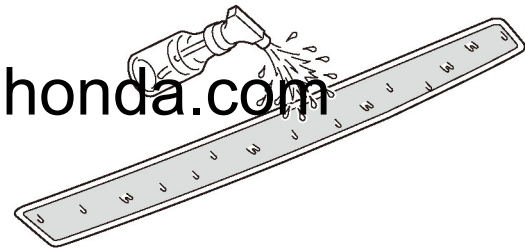
NOTE

Make sure to check the identification mark before installation.



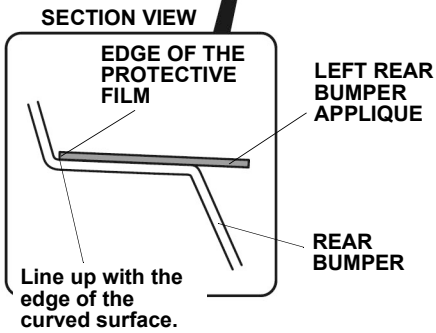
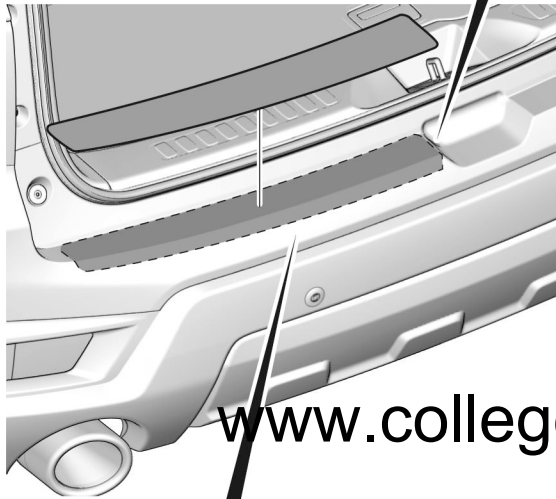
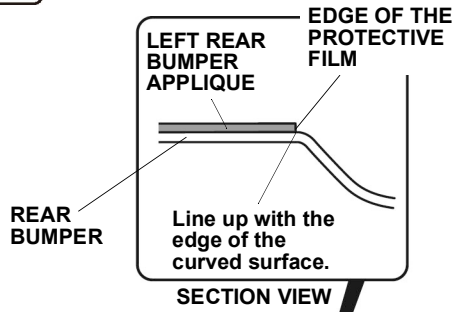
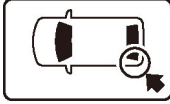
QH51104AN

4. Spray the left rear bumper applique.



QH51105AN

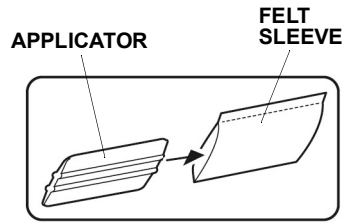
5. Line up the left rear bumper applique.



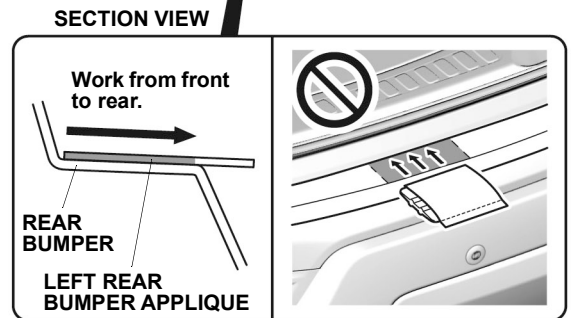
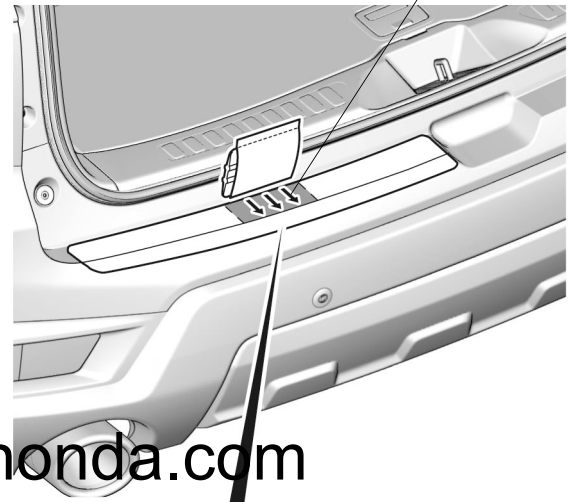
QL42804AB

6. Secure the left rear bumper applique.

NOTE
Move the felt sleeve in one direction only.



Work from front to rear.



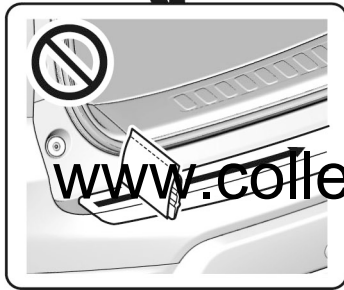
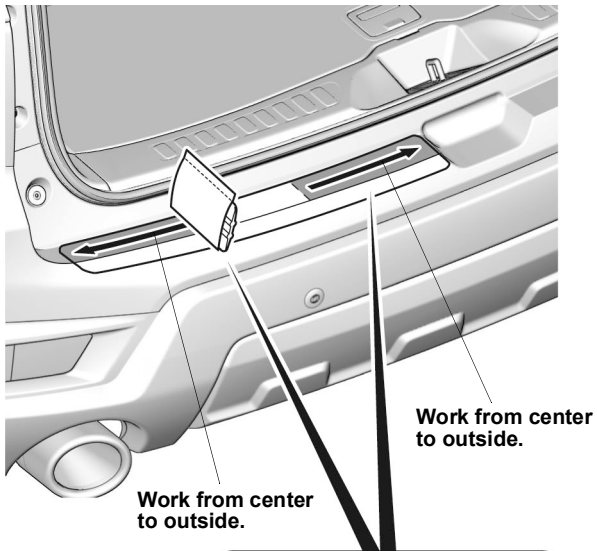
QL42805AB

www.collegehillshonda.com

7. Secure the left rear bumper applique.

NOTE

Move the felt sleeve in one direction only.

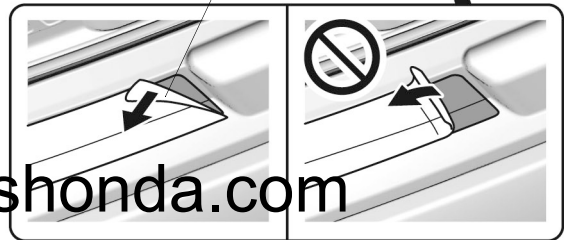
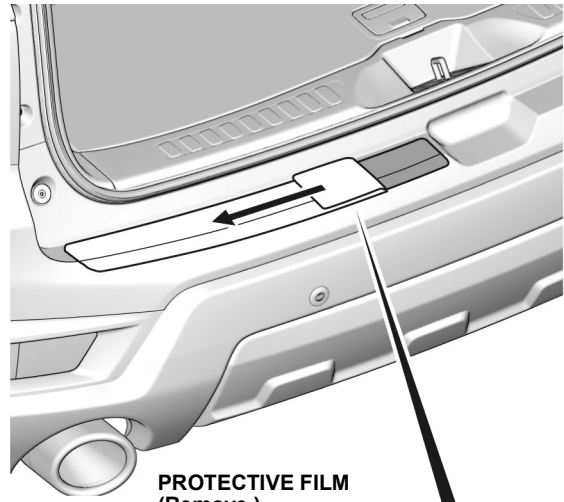


QL42806AB

8. Remove the protective film.

NOTE

Do not pull up on the protective film.



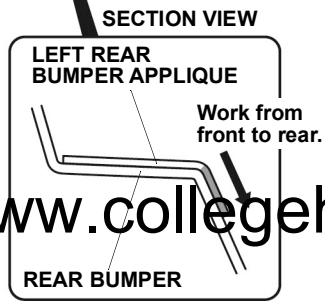
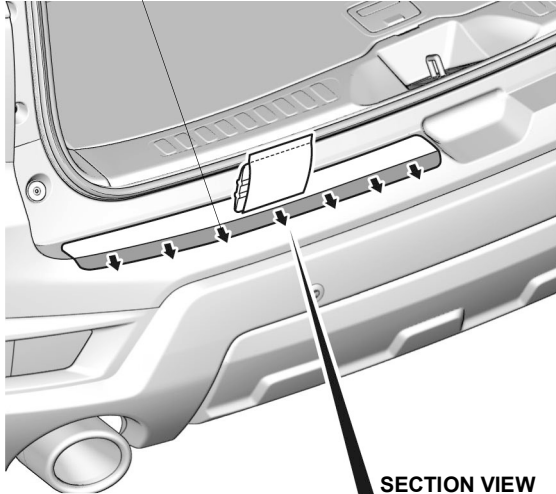
QL42807AB

www.collegehillshonda.com

9. Secure the left rear bumper applique.

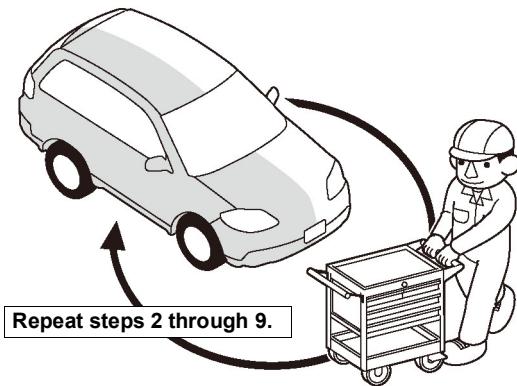
NOTE
Move the felt sleeve in one direction only.

Work from front to rear.



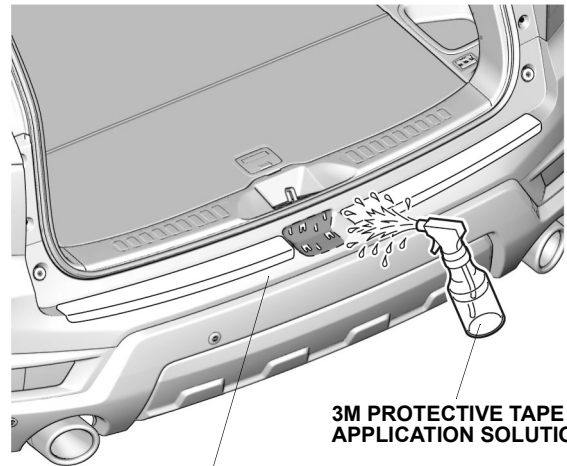
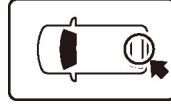
QL42808AB

10. Repeat same procedures on the other side.



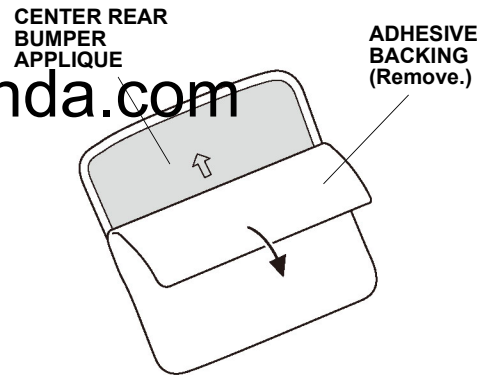
Q9D1012AE

11. Spray the rear bumper.



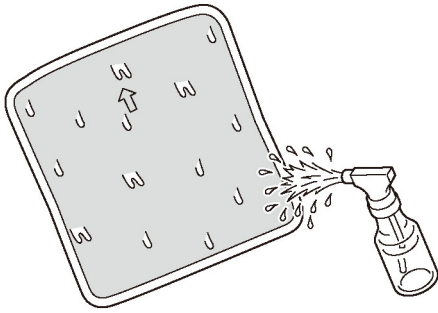
QL42809AB

12. Remove the adhesive backing.



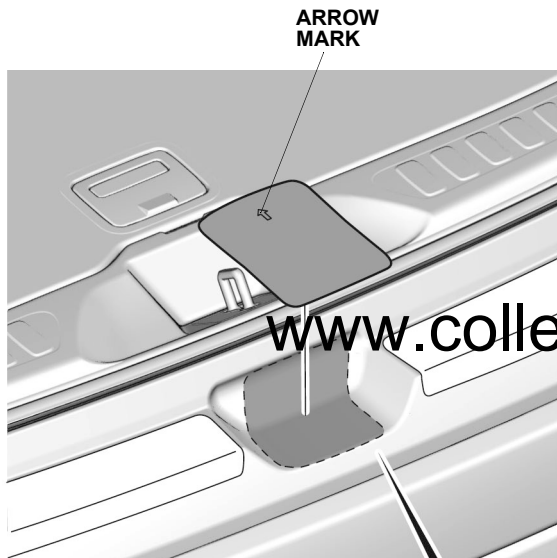
QH51113BN

13. Spray the center rear bumper applique.



QH51114BN

14. Line up the center rear bumper applique.



ARROW MARK

www.collegehillshonda.com

SECTION VIEW

EDGE OF THE PROTECTIVE FILM

Line up with the edge of the curved surface.

CENTER REAR BUMPER APPLIQUE

REAR BUMPER

EDGE OF THE PROTECTIVE FILM

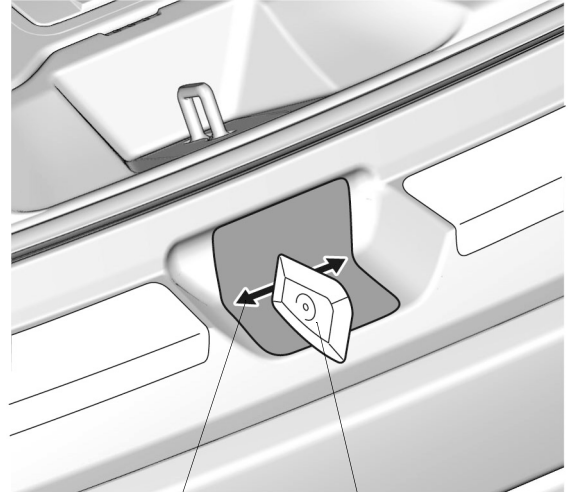
Line up with the edge of the curved surface.

QL42810AB

15. Secure the center rear bumper applique.

NOTE

Move the mini soft spreader/applicator in one direction only.



Work from center to outside.

MINI SOFT SPREADER/APPLICATOR

QL42811BB

16. Secure the center rear bumper applique.

NOTE

Move the mini soft spreader/applicator in one direction only.



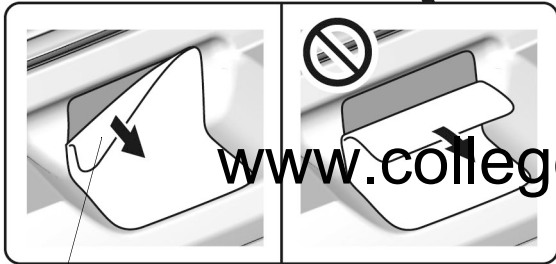
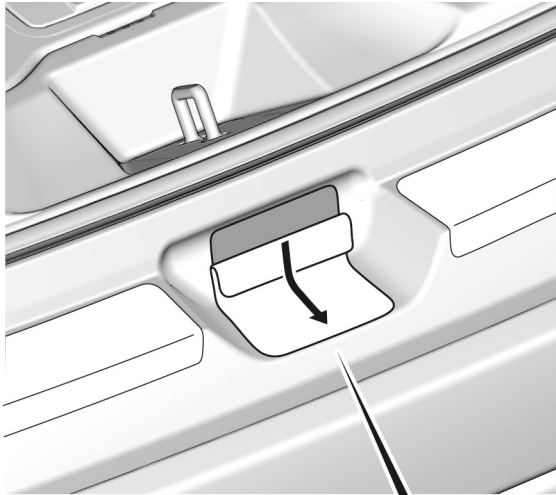
Work from center to outside.

QL42812BB

17. Remove the protective film.

NOTE

Do not pull up on the protective film.



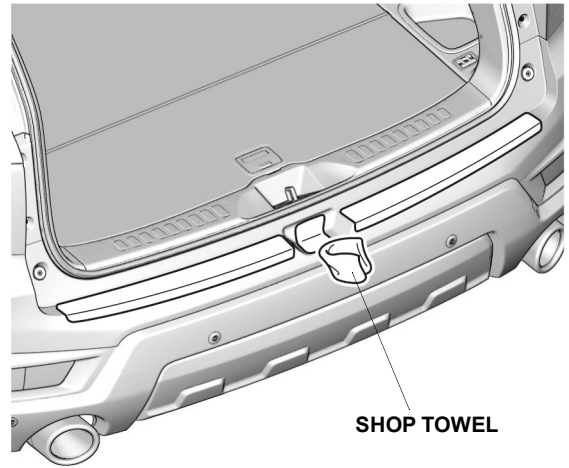
**PROTECTIVE FILM
(Remove.)**

QL42813BB

18. Wipe off the 3M protective tape application solution.

NOTE

Allow to dry thoroughly.



QL42814AB

19. Check that all parts are installed properly.

www.collegehillshonda.com