

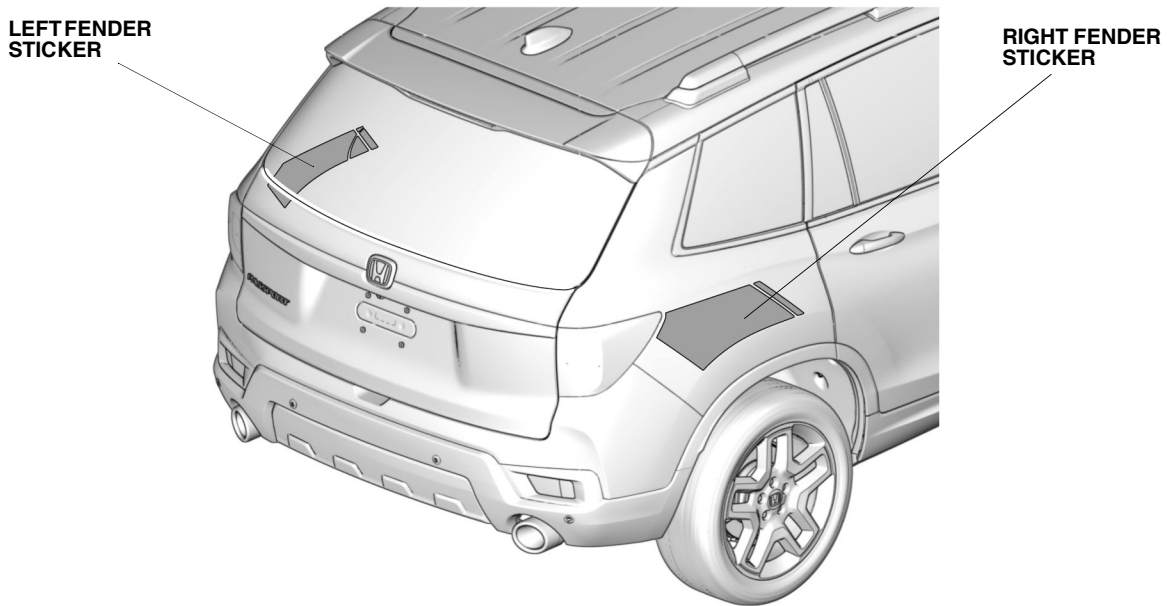
Germain Honda of College Hills



INSTALLATION INSTRUCTIONS

Accessory STICKER PACKAGE	Application 2022 PASSPORT	Publications No. VERSION 2
		Issue Date NOV 2021

GENERAL VIEW



QL51301AA

FOR YOUR SAFETY (Read carefully.)

Warning Symbols

Safety: Your safety, and the safety of others, is important. To help you make informed decisions about service procedures, we have provided safety messages where appropriate. Of course, it is not practical or possible to warn you about all the hazards associated with servicing a vehicle - you must use your own good judgment.

You will find important safety messages preceded by one of following symbols:

*All symbols are not used in all installation instructions.

⚠ DANGER

You will be killed or seriously hurt if you do not follow the instructions.

⚠ WARNING

You can be killed or seriously hurt if you do not follow the instructions.

⚠ CAUTION

You can be hurt if you do not follow the instructions.

NOTICE

Gives advice to prevent damage to the product, vehicle, the environment or other property.

NOTE

Gives helpful information or instructions to be followed when installing this product.



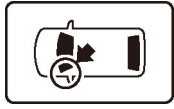
Indicates a prohibited action.

Germain Honda of College Hills

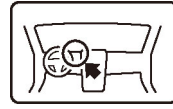
Procedure and Location Icons

These icons indicate the work location and the worker's point of view.

*All icons are not used in all installation instructions.



The location on the vehicle.



The location in the vehicle.
(instrument panel.)



Wear eye protection.



Wear heavy gloves.



Use an assistant.



Place the part on a blanket.



Work perpendicular.



Remove any burrs.



Use touch-up paint and allow to dry.



Tighten to the specified torque.



Apply firm pressure while rolling, especially at the ends, to set the adhesive.



Press firmly.



Clean with isopropyl alcohol.



Return the original part to the customer.
(Do not reuse.)

Safety: General

- Be careful not to damage the vehicle or the parts.
- The illustrations may differ slightly from the actual accessory.

Safety: Accessory

- Do not install the accessory on a dirty surface or in direct sunlight.
- Make sure the ambient air temperature is 60°F (15°C) or above when installing accessories that use adhesive material.
- When applying adhesive material, make sure it is lined up properly before attaching. Once the adhesive material touches the surface, do not try to remove it. If you do, you could damage the part.
- Cover nearby parts with a shop towel to prevent getting them wet.
- Always wear gloves when working with 3M protective tape application solution.
- Use 3M protective tape application solution with a spray bottle.
- Do not wash the vehicle for 24 hours to allow the adhesive to cure.

Germain Honda of College Hills

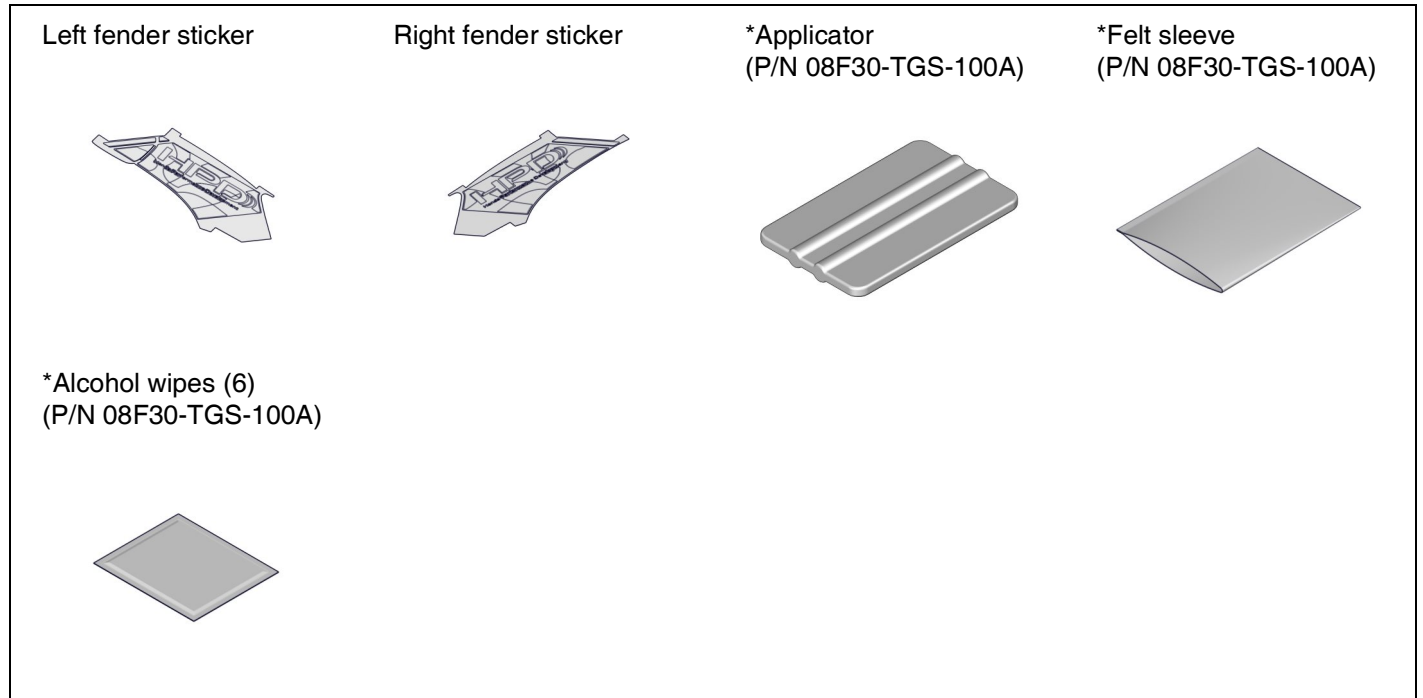
PARTS LIST

Stickers Kit

(P/N 08F30-TGS-100A)

(P/N 08F30-TGS-P00A)

(*: The part differs depending on the kit.)



REQUIRED TOOLS AND SUPPLIES

- Shop towel
- 3M Protective tape application solution
- Gloves
- Masking tape

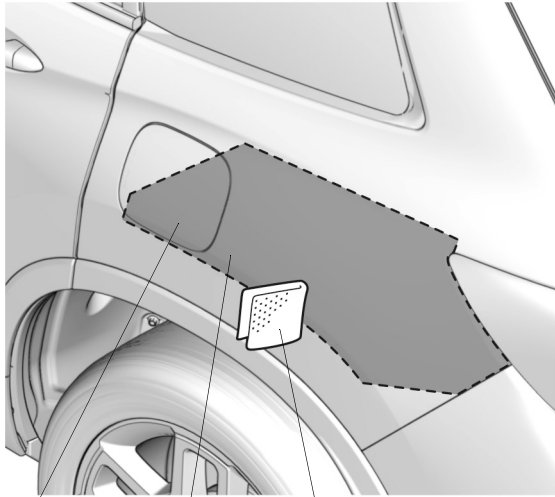
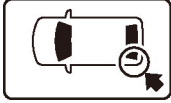
Germain Honda of College Hills

INSTALLATION

1. Clean the attaching areas.

NOTE

Allow to dry thoroughly.



FUEL LID

LEFT REAR FENDER

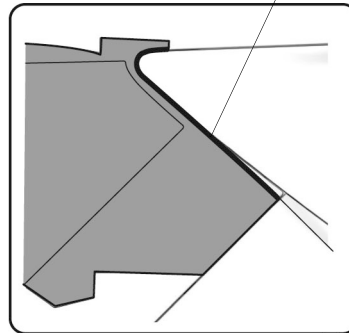
3 ALCOHOL WIPES

QL51302AA

2. Line up the left fender sticker.

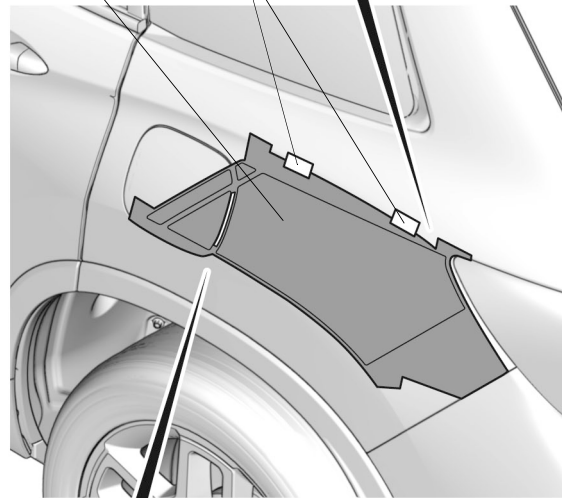
LEFT SIDE OF THE VEHICLE

Line up with the character line.



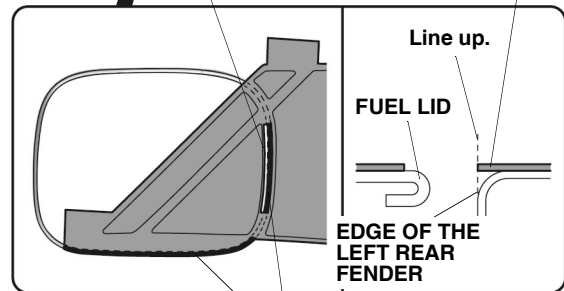
LEFT FENDER STICKER

MASKING TAPE



HOLE

PROTECTIVE FILM



Line up.

FUEL LID

EDGE OF THE LEFT REAR FENDER

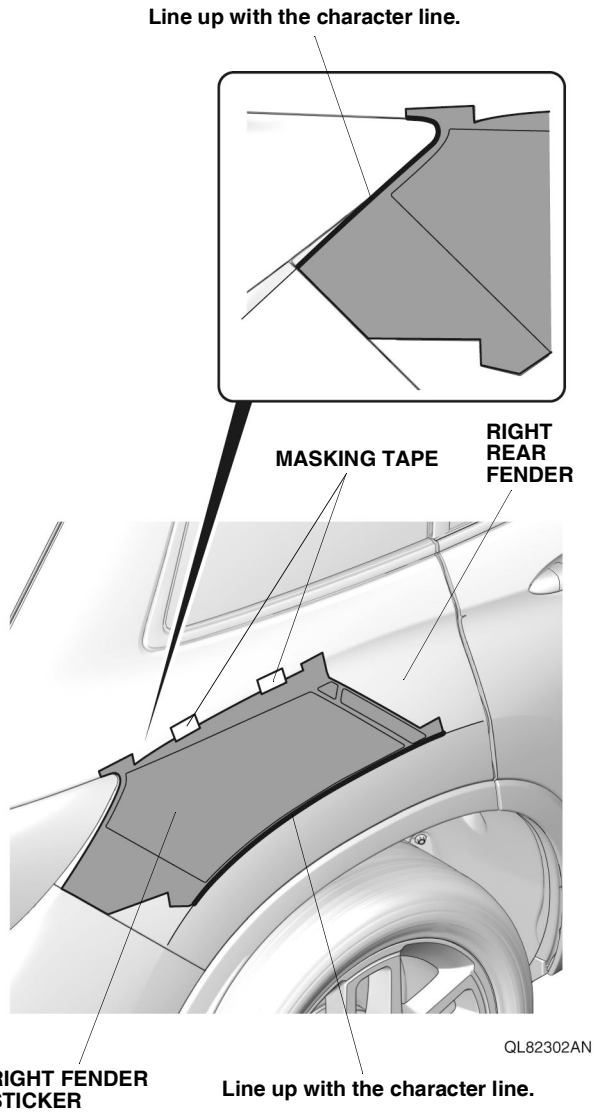
SECTION VIEW

QL51303BA

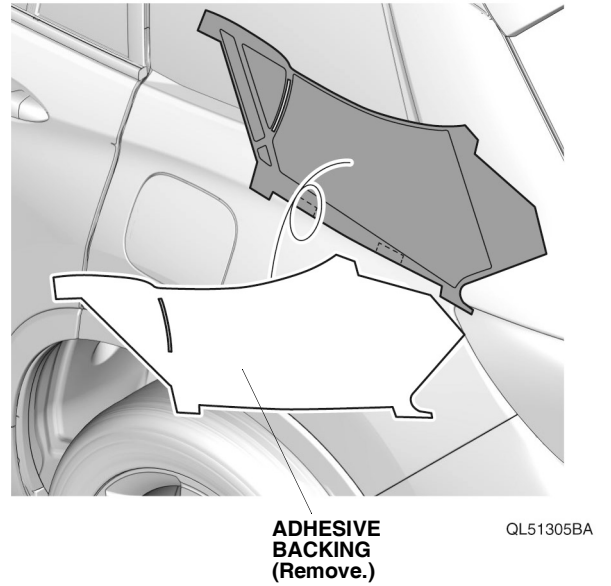
Line up with the edge of the left rear fender.

Germain Honda of College Hills

RIGHT SIDE OF THE VEHICLE



3. Remove the adhesive backing.



4. Spray the left fender sticker and left rear fender.

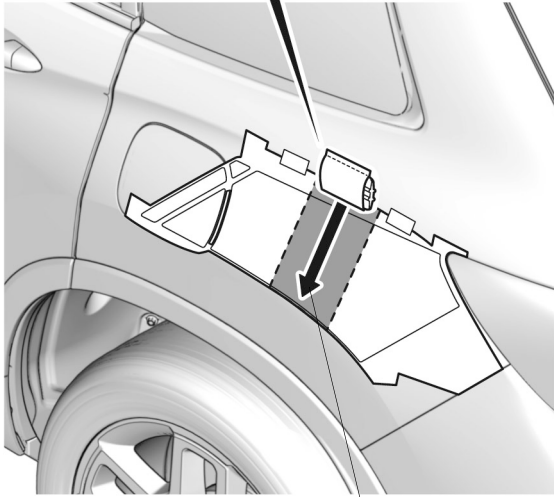
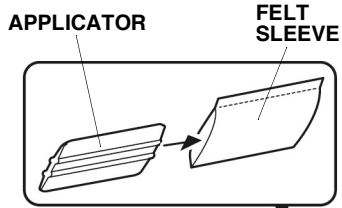


Germain Honda of College Hills

5. Secure the left fender sticker.

NOTE

Move the felt sleeve in one direction only.



Work from top to bottom.

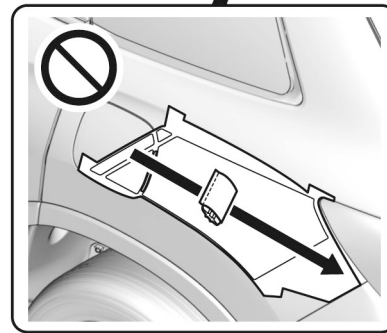
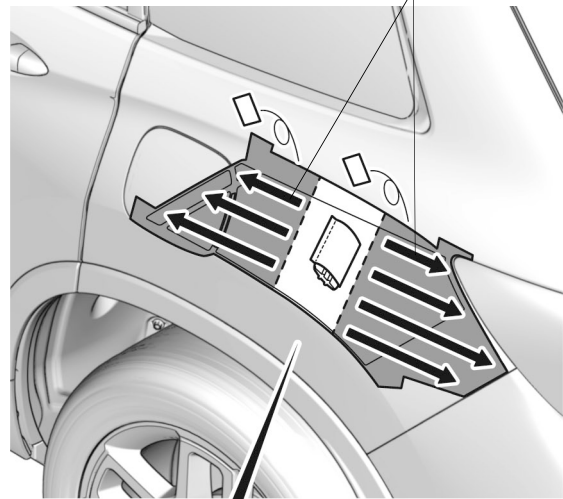
QL51307BA

6. Secure the left fender sticker.

NOTE

Move the felt sleeve in one direction only.

Work from center to outside.



QL51308BA

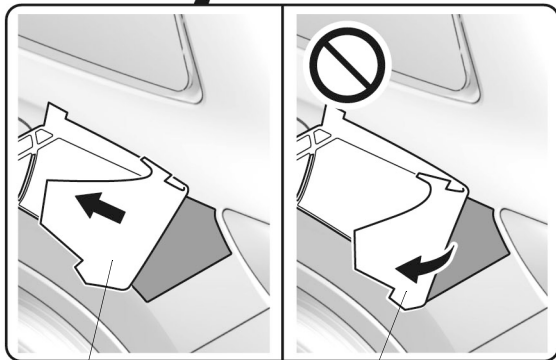
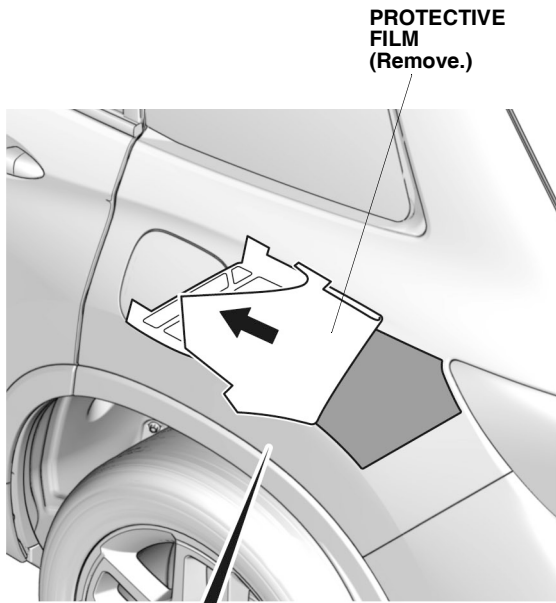
7. Remove the masking tape.

Germain Honda of College Hills

8. Remove the protective film.

NOTE

Do not pull up on the protective film.



Peel along the left fender sticker.

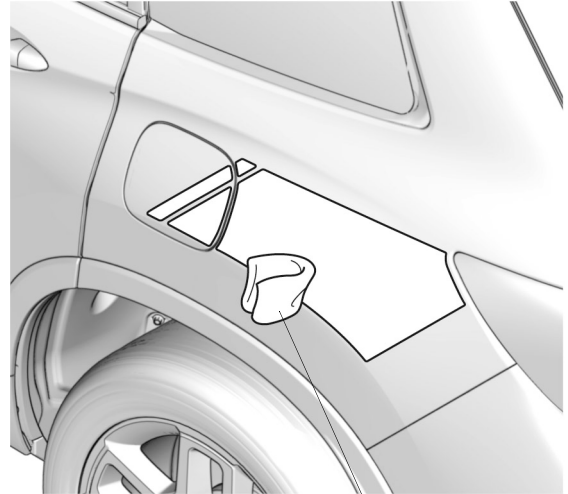
Do not pull up.

QL51309BA

9. Wipe up the 3M protective tape application solution.

NOTE

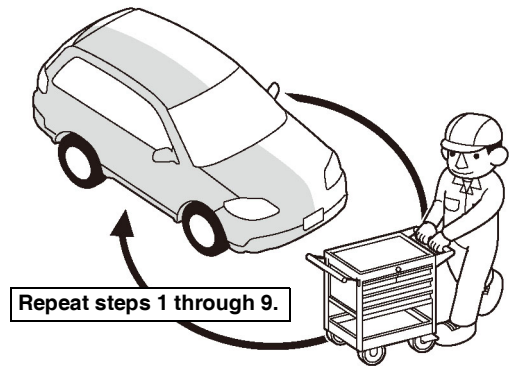
Allow to dry thoroughly.



SHOP TOWEL

QL51310AA

10. Repeat same procedures on the other side.



Repeat steps 1 through 9.

Q9D1014AM

11. Check that all parts are installed properly.