

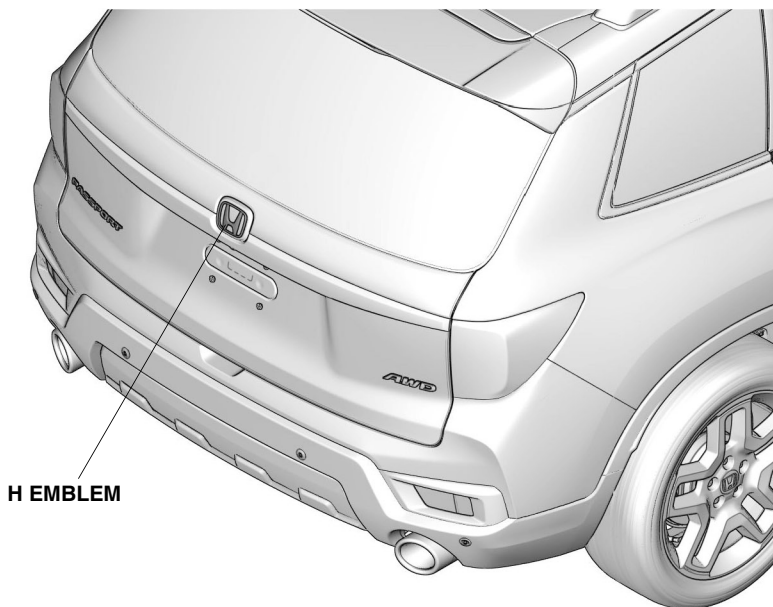
# Germain Honda of College Hills



## INSTALLATION INSTRUCTIONS

<b>Accessory</b>  <b>BLACK H EMBLEM</b>	<b>Application</b>  <b>2022 PASSPORT</b>	<b>Publications No.</b> <b>VERSION 2</b>
		<b>Issue Date</b> <b>NOV 2021</b>

### GENERAL VIEW



QL42601AG

### FOR YOUR SAFETY (Read carefully.)

#### Warning Symbols

Safety: Your safety, and the safety of others, is important. To help you make informed decisions about service procedures, we have provided safety messages where appropriate. Of course, it is not practical or possible to warn you about all the hazards associated with servicing a vehicle - you must use your own good judgment.

You will find important safety messages preceded by one of following symbols:

\*All symbols are not used in all installation instructions.

**⚠ DANGER**

You will be killed or seriously hurt if you do not follow the instructions.

**⚠ WARNING**

You can be killed or seriously hurt if you do not follow the instructions.

**⚠ CAUTION**

You can be hurt if you do not follow the instructions.

**NOTICE**

Gives advice to prevent damage to the product, vehicle, the environment or other property.

**NOTE**

Gives helpful information or instructions to be followed when installing this product.



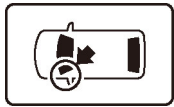
Indicates a prohibited action.

# Germain Honda of College Hills

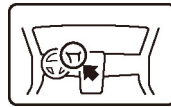
## Procedure and Location Icons

These icons indicate the work location and the worker's point of view.

\*All icons are not used in all installation instructions.



The location on the vehicle.



The location in the vehicle.  
(instrument panel.)



Wear eye protection.



Wear heavy gloves.



Use an assistant.



Place the part on a blanket.



Work perpendicular.



Remove any burrs.



Use touch-up paint and allow to dry.



Tighten to the specified torque.



Apply firm pressure while rolling, especially at the ends, to set the adhesive.



Press firmly.

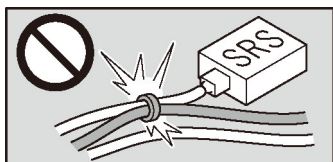


Clean with isopropyl alcohol.

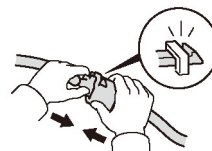


Return the original part to the customer.  
(Do not reuse.)

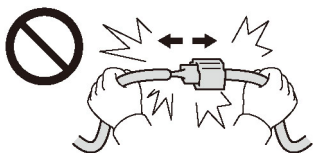
## Wire Harness Routing Precaution



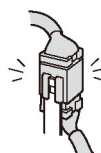
Do not secure the accessory harness to the SRS harness.  
(except for instruction cases.)



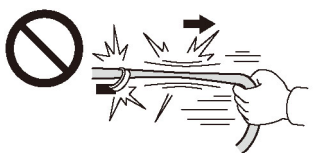
Push the connectors and terminals together until they lock.



Do not pull the harness to unplug the connectors.



Install removed connectors in their original location.



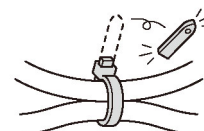
Do not pull the harness.



Secure the accessory harness as shown.



Do not pinch the harness.



Cut off the excess wire tie.

# Germain Honda of College Hills

## Safety: General

- Observe all safety notes and precautions described in the service information, in addition to those described in this Installation Instruction. Be extremely careful for your safety and safety of others.
- Be careful not to damage the vehicle or the parts.
- Be extremely careful when handling retaining tabs and clips.
- Note the locations of the parts before removing them so they can be properly installed in their original positions.
- The illustrations may differ slightly from the actual accessory.

## Safety: Electric Parts

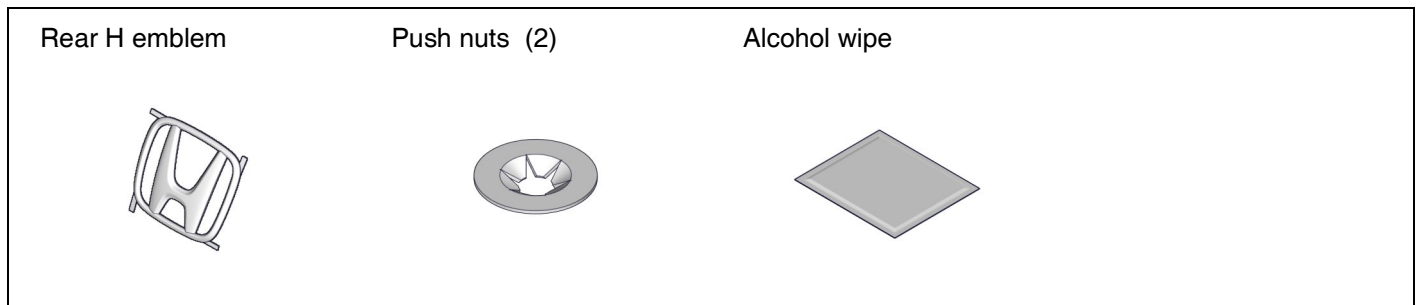
Always disconnect the negative cable from the battery before beginning work.

## Safety: Accessory

- Do not install the accessory on a dirty surface or in direct sunlight.
- Make sure the ambient air temperature is 60°F (15°C) or above when installing accessories that use adhesive material.
- When pressing the accessory firmly with the palm of your hand, be careful not to damage it or the vehicle.
- When applying adhesive material, make sure it is lined up properly before attaching. Once the adhesive material touches the surface, do not try to remove it. If you do, you could damage the part.
- Do not wash the vehicle for 24 hours to allow the adhesive to cure.

## PARTS LIST

Black H Emblem Kit (P/N 08F20-TGS-100B)



## REQUIRED TOOLS AND SUPPLIES

- 10 mm Open end wrench
- Torque wrench
- Ratchet
- 6 mm, 8 mm, and 10 mm Sockets
- Diagonal cutters
- Ratchet
- Masking tape

The following tools are available through the Honda Tool and Equipment Program:

- Trim Tool Set (T/N SOJATP2014)
- Plastic Trim Tool (T/N SILTRIMTL10)
- Rubber Roller (T/N MHLE54D)
- Push Pin Pliers (T/N 07AAC-001A101)

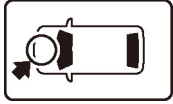
# Germain Honda of College Hills

## INSTALLATION

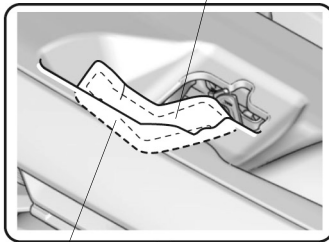
1. Wrap a shop towel.

### NOTE

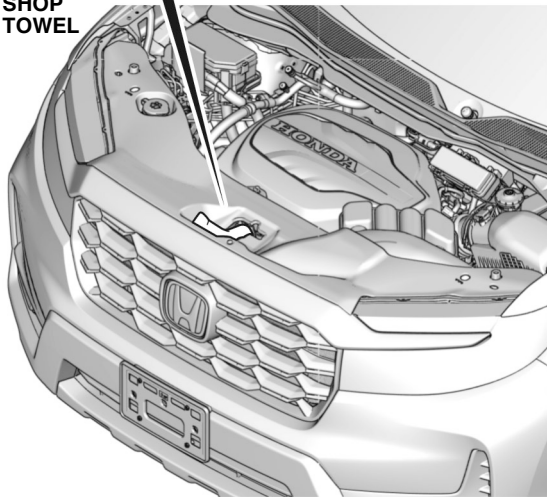
Do not remove the shop towel until after the parts are installed.



HOOD LATCH  
LEVER



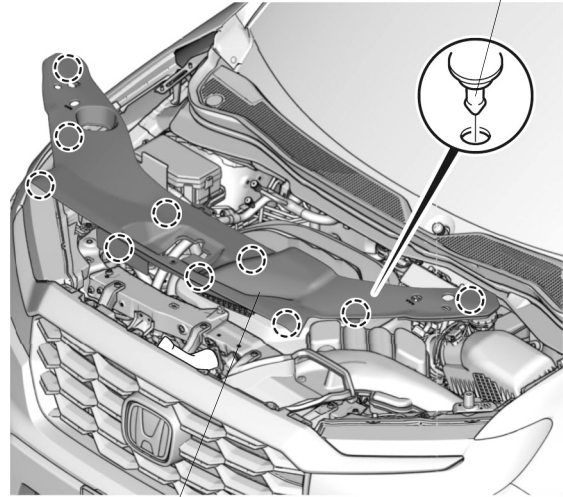
SHOP  
TOWEL



QL42302AA

2. Remove the front bulkhead cover.

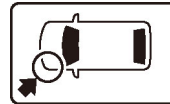
10 CLIPS



FRONT BULKHEAD  
COVER

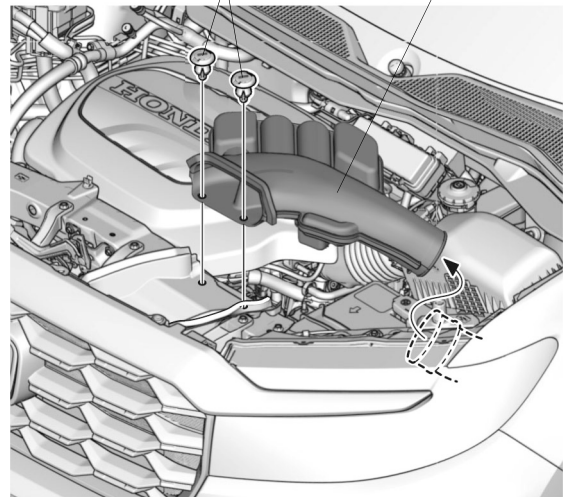
QL42303AA

3. Remove the intake air tube.



2 CLIPS

INTAKE  
AIR TUBE



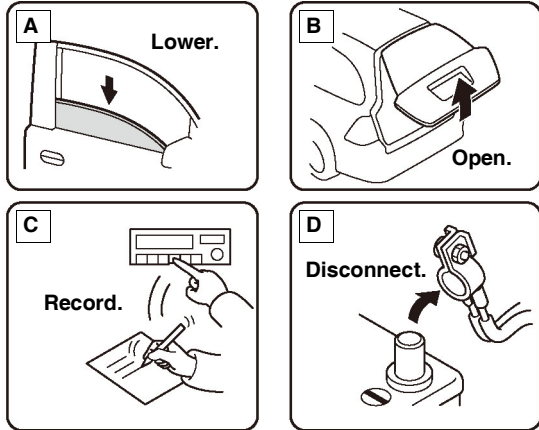
QL42304AA

# Germain Honda of College Hills

4. Disconnect the negative cable from the battery.

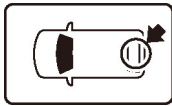
## NOTE

Take countermeasures to prevent from locking the tailgate.

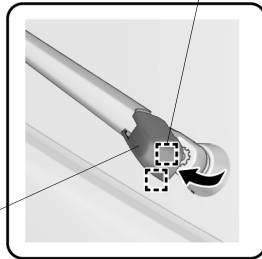


QCD0504BM

5. Remove the rear window wiper arm assembly.



2 RETAINING TABS



REAR WINDOW WIPER ARM ASSEMBLY

CAP

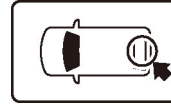


NUT

QJ01720AU



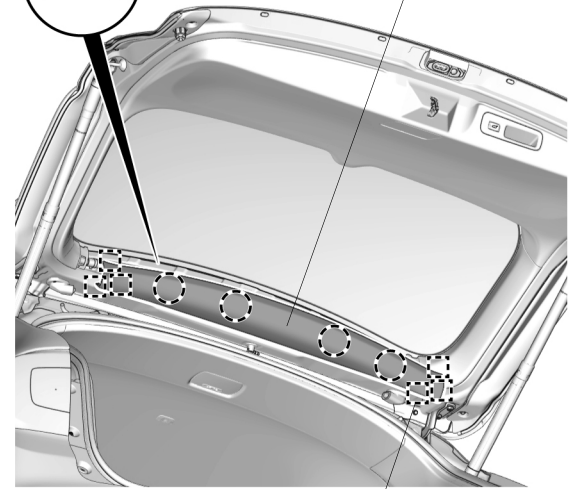
6. Remove the tailgate upper trim panel.



4 CLIPS



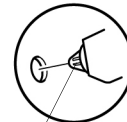
TAILGATE UPPER TRIM PANEL



6 RETAINING TABS

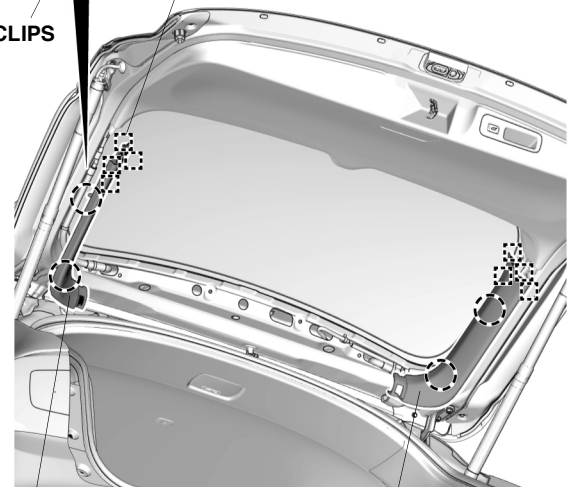
QJ01721AU

7. Remove the left and right tailgate side trim panels.



8 RETAINING TABS

4 CLIPS



LEFT TAILGATE SIDE TRIM PANEL

RIGHT TAILGATE SIDE TRIM PANEL

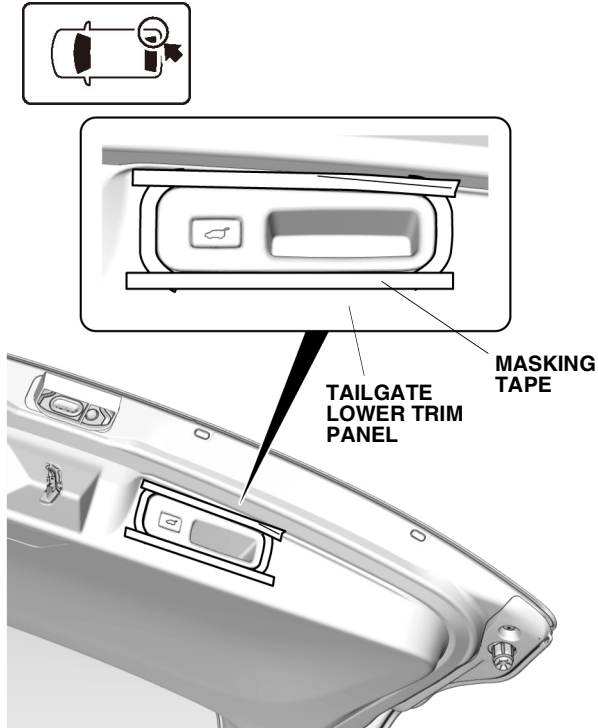
QJ01722AU

# Germain Honda of College Hills

8. Attach masking tape to protect the vehicle.

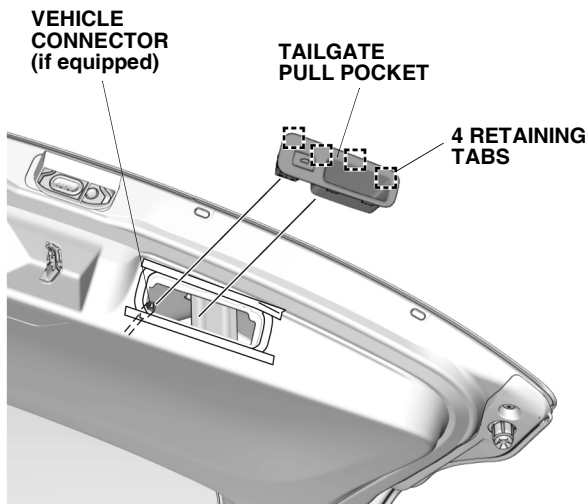
## NOTE

Do not remove the masking tape until after the parts are installed.



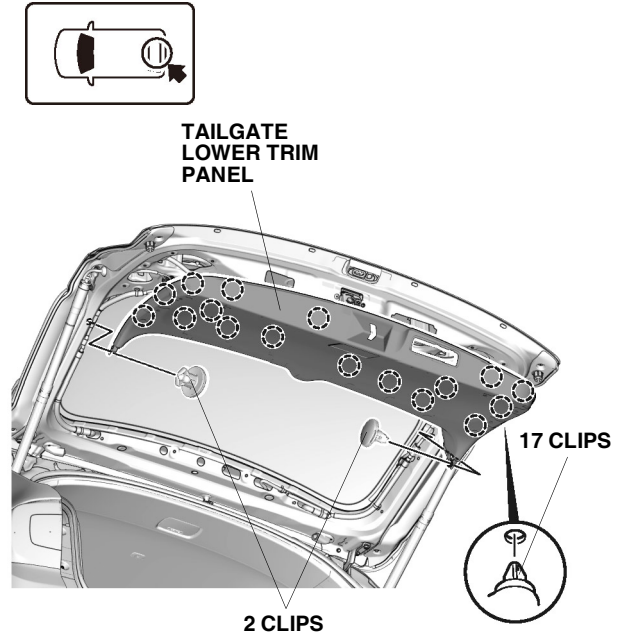
QJ01723AU

9. Remove the tailgate pull pocket.



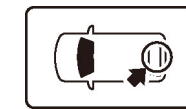
QJ01724BU

10. Remove the tailgate lower trim panel.



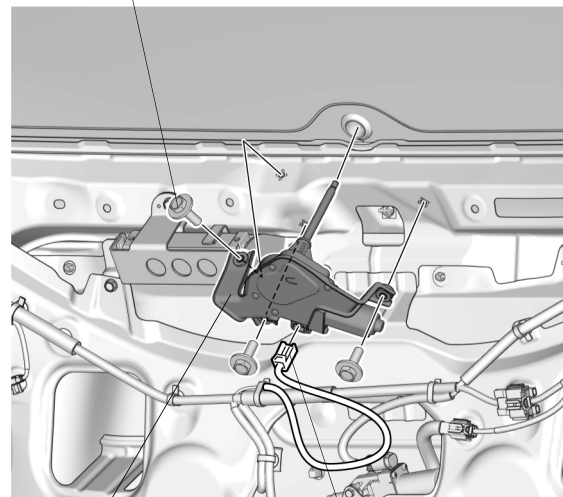
QL42602AG

11. Remove the rear window wiper motor.



3 BOLTS

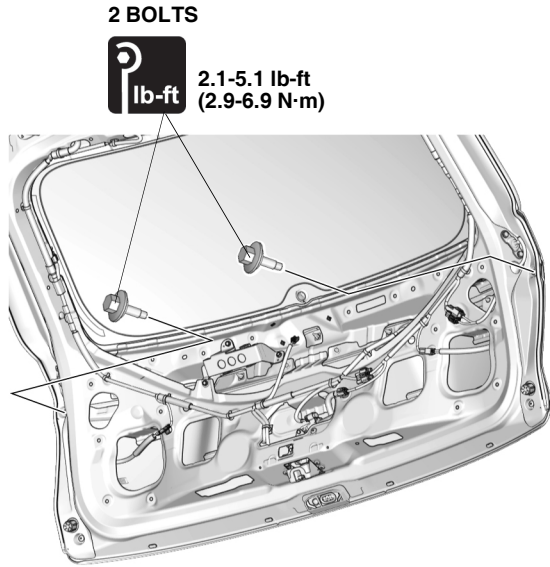
**lb-ft** 5.0-8.7 lb-ft  
(6.8-11.8 N·m)



QJ01726AU

# Germain Honda of College Hills

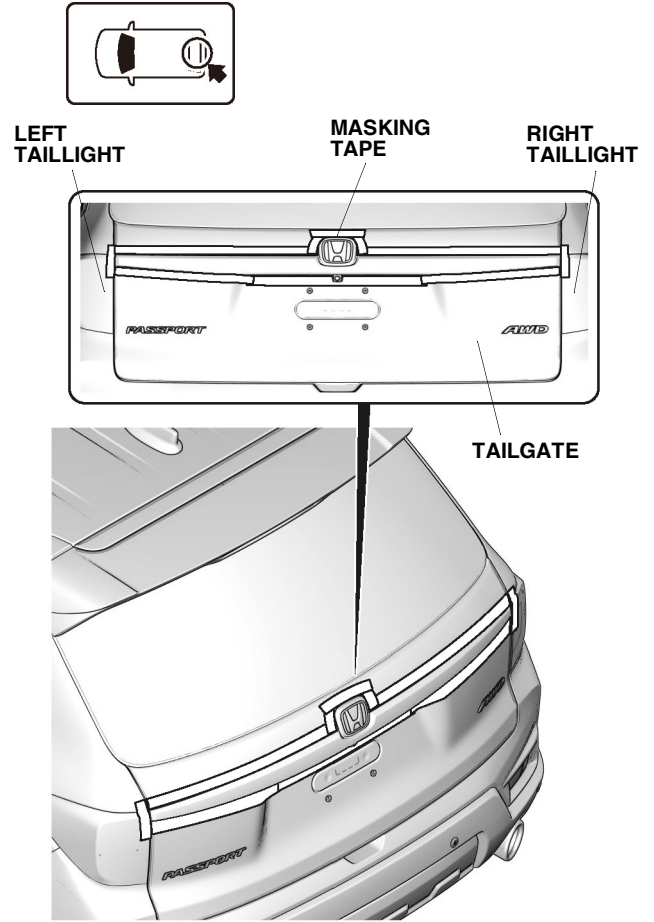
12. Remove the bolts.



QJ01727AU

13. Attach masking tape to protect the vehicle.

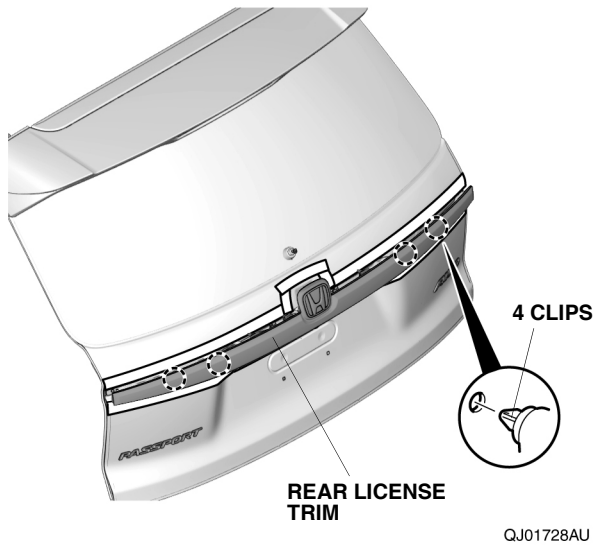
<b>NOTE</b>
Do not remove the masking tape until after the parts are installed.



QL42603AG

# Germain Honda of College Hills

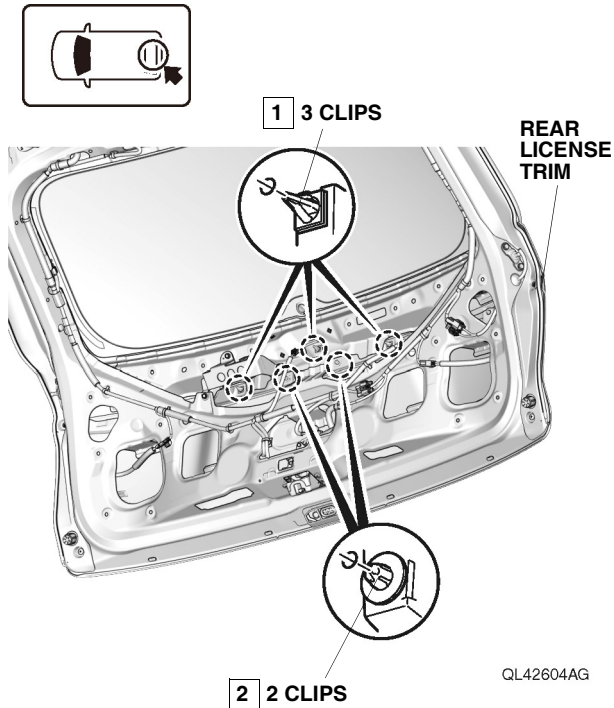
14. Release the rear license trim.



15. Release the rear license trim.

## NOTE

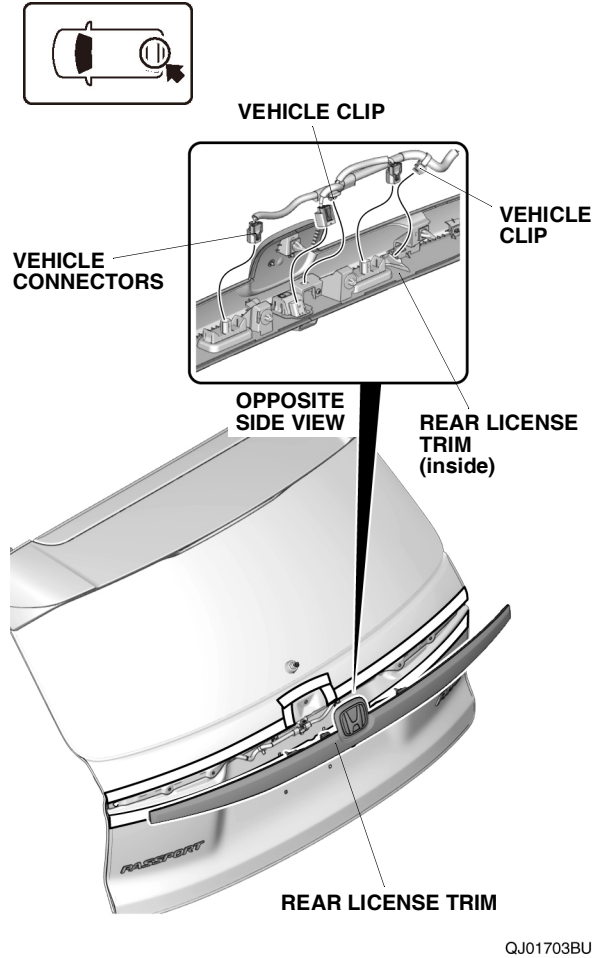
Release in the order shown.



16. Remove the rear license trim.

## NOTE

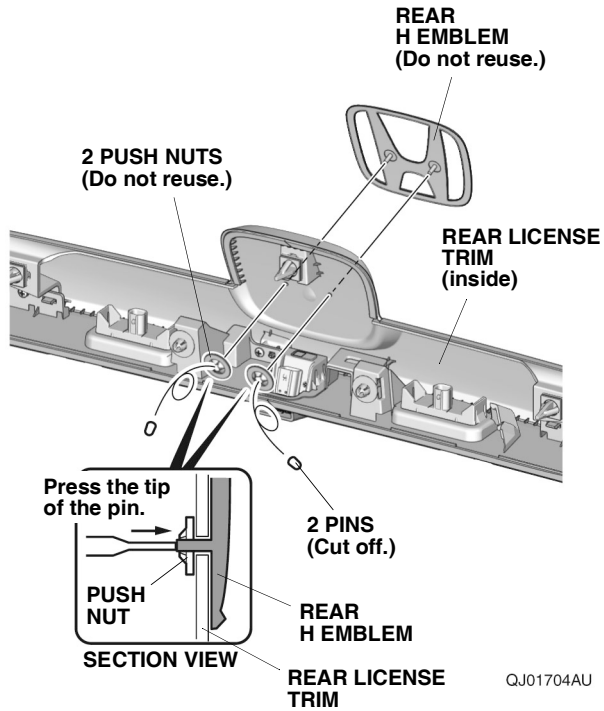
Make sure to remove the clip if it remained on the vehicle.





# Germain Honda of College Hills

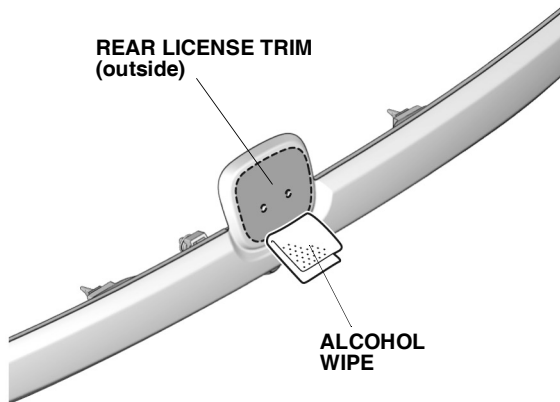
17. Remove the rear H emblem.



18. Clean the attaching area.

## NOTE

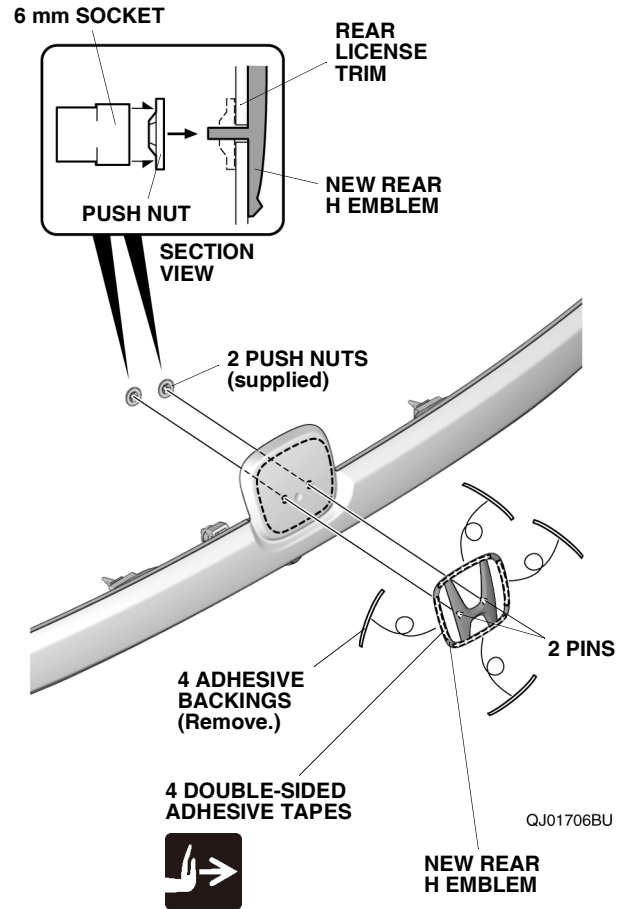
Allow to dry thoroughly.



19. Install the new rear H emblem.

## NOTE

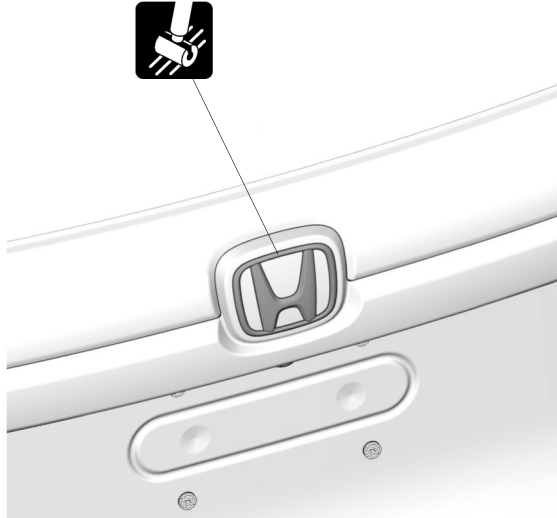
- Make sure to install the push nuts in the correct orientation.
- Check the position of double-sided adhesive tapes and make sure to press firmly.



20. Install the rear license trim.

# Germain Honda of College Hills

21. Secure the new rear H emblem.



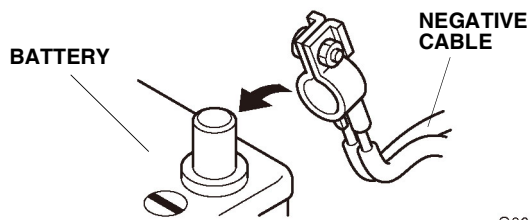
QL01201AN

22. Check that all parts are installed and properly routed.

## NOTE

- Check that all harnesses are not pulled and not pinched.
- Make sure all clamps and wire ties are securely installed.

23. Install all removed parts except for the front bulkhead cover and intake air tube.
24. Connect the negative cable to the battery.



Q060702BM

25. Install the front bulkhead cover and intake air tube.
26. Make sure all accessories and systems operate properly.
27. If necessary, restore the systems back to normal operation as described in the service information.
28. Press and hold the audio unit power button for 2 seconds to restore the audio and navi (if equipped) system functions.