



## INSTALLATION INSTRUCTIONS

Accessory	Application	Publications No.
ROOF RAILS P/N 08L02-TGS-100	2020 PASSPORT	VERSION 1
		Issue Date NOV 2019

### PARTS LIST

Left roof rail



Left front roof rail cover



Left rear roof rail cover



Left roof rail cap



Left center stay



Right roof rail



Right front roof rail cover



Right rear roof rail cover



Right roof rail cap



Right center stay



12 TORX nuts



2 TORX bolts



4 TORX screws



6 Molding clips  
(Some may not be used)



## TOOLS AND SUPPLIES REQUIRED

Phillips screwdriver

Putty knife

Ratchet

10 mm Socket

Masking tape

Torque wrench

Ruler

Tape measure

Felt-tip pen

File

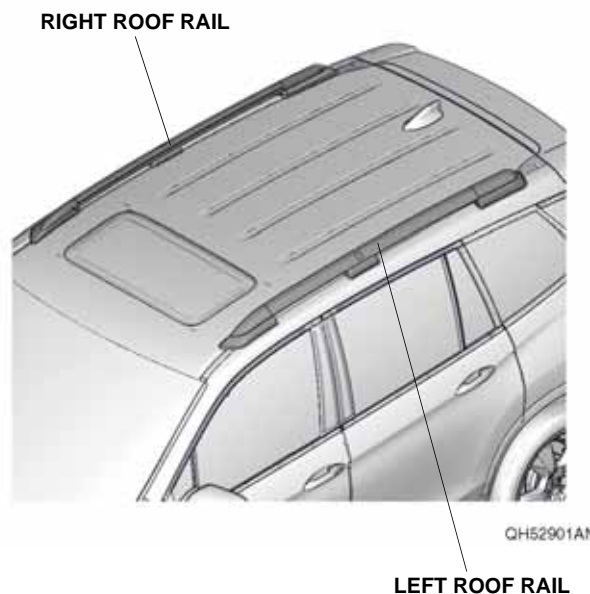
T-15, T-30, and T-40 TORX bits

Eye protection (face shield, safety goggles, etc.)

*The following tools are available through the Honda Tool and Equipment Program. On the iN, click on Service > Service Bay > Tool and Equipment Program, then enter the number under "Search." Or, call 888-424-6857.*

- Trim Tool Set (T/N SOJATP2014)
- Plastic Trim Tool (T/N SILTRIMTL10)
- Air Saw (T/N AT192A)

## Illustration of the Roof Rails Installed on the Vehicle



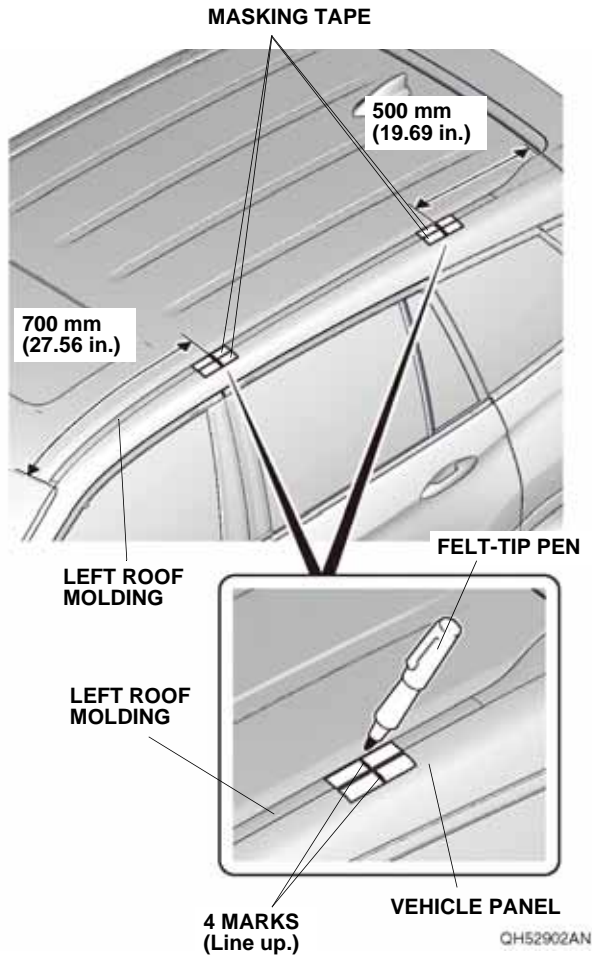
## INSTALLATION

**Customer Information:** The information in this installation instruction is intended for use only by skilled technicians who have the proper tools, equipment, and training to correctly and safely add equipment to your vehicle. These procedures should not be attempted by "do-it-yourselfers."

### NOTE:

- Be extremely careful not to damage the roof and other finished surfaces of the body when installing the roof rails.
- The weight of the cargo must not exceed the maximum weight capacity of 165 lbs (75 kg).

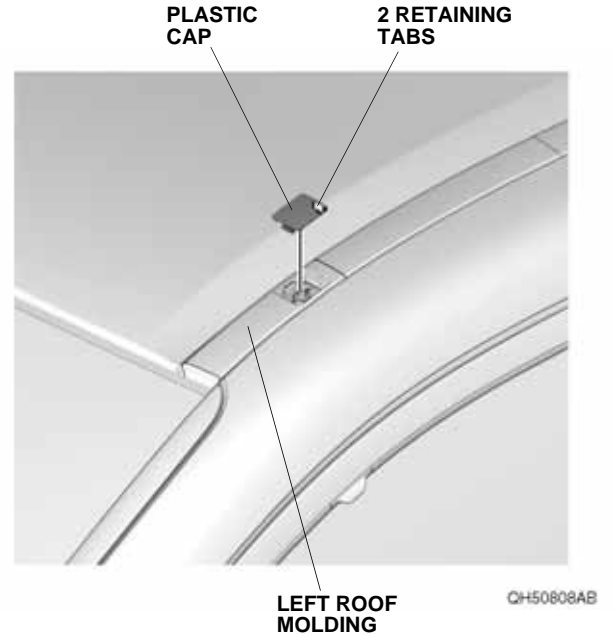
1. Attach two pieces of masking tape to the vehicle panel and another two pieces to the left roof molding as shown. Using a felt-tip pen, draw a straight line in the center of each piece of masking tape.



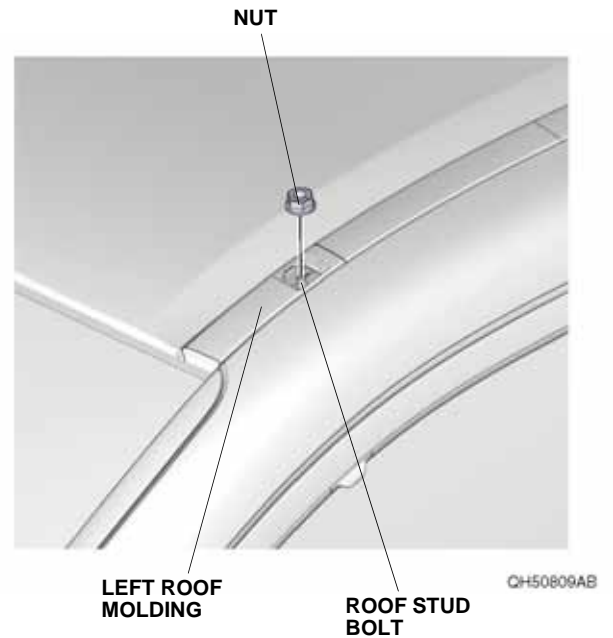
If the roof molding is equipped with a plastic cap, go to step 2; otherwise, go to step 4.

### With plastic cap

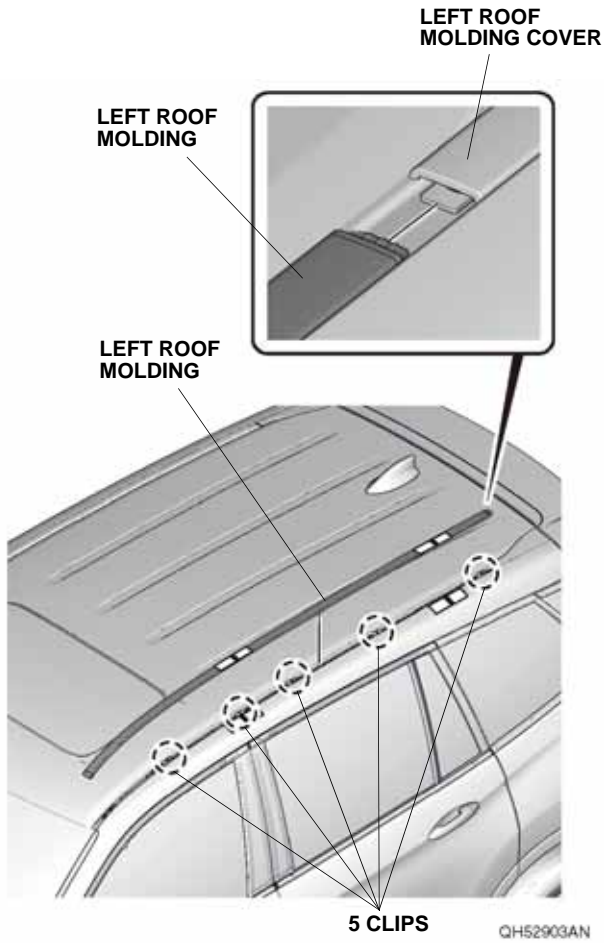
2. Remove the plastic cap from the left roof molding as shown.



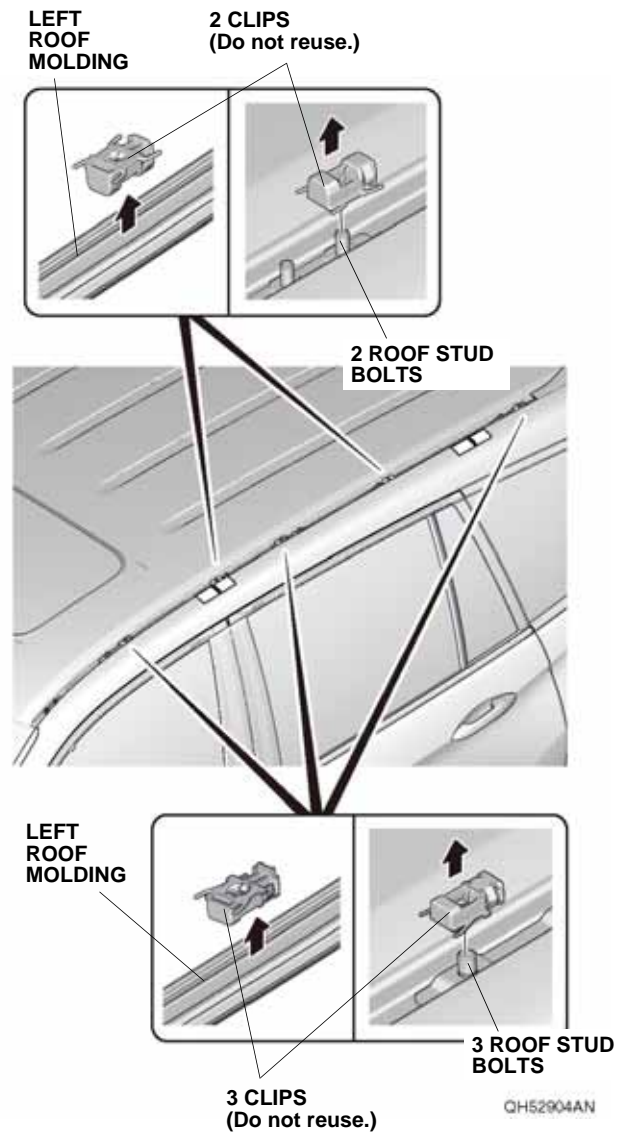
3. Remove the nut from the roof stud bolt.



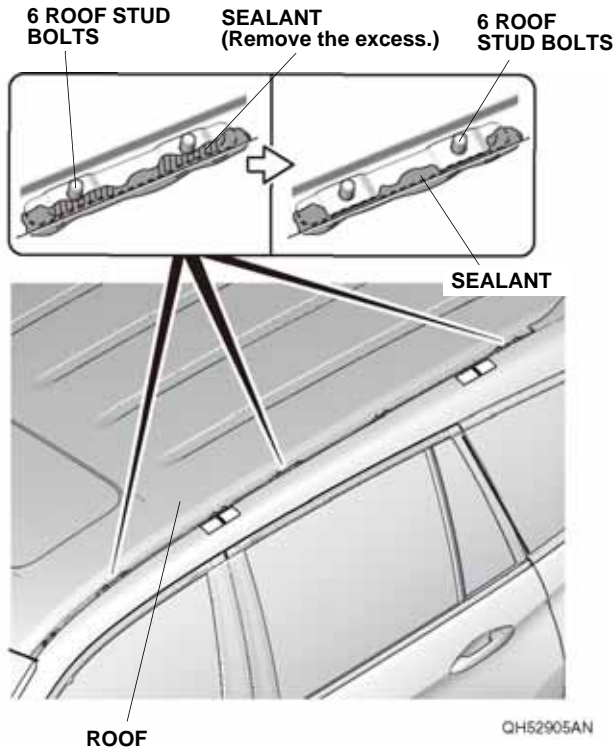
4. Remove the left roof molding as shown.



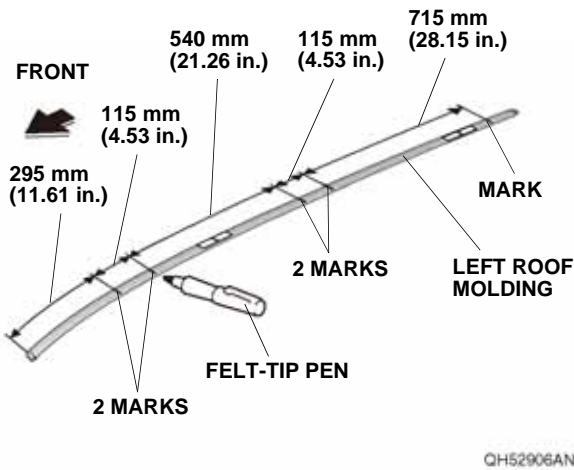
5. Remove the five clips from either the molding or the roof stud bolts.



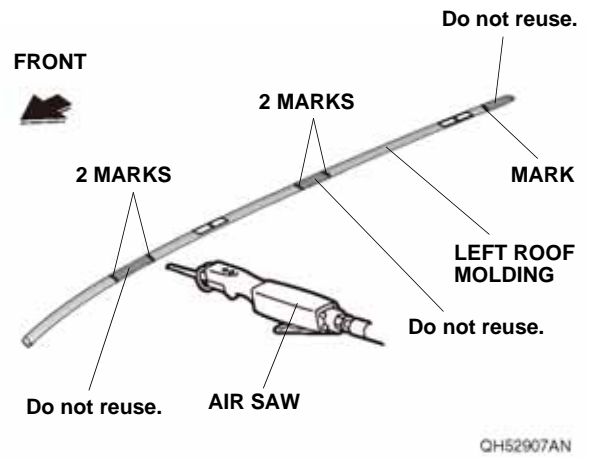
6. Using a putty knife, remove any excess sealant from the six roof stud bolts.



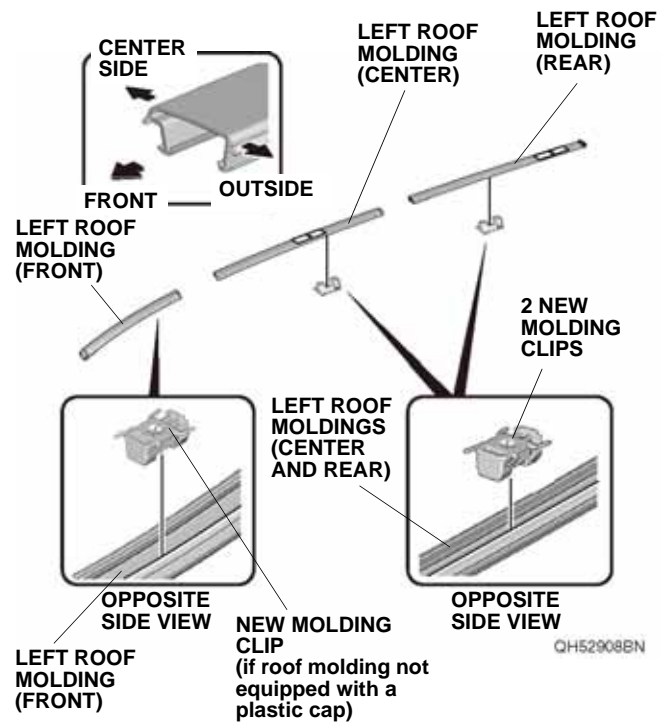
7. Using a felt-tip pen, mark the left roof molding as shown.



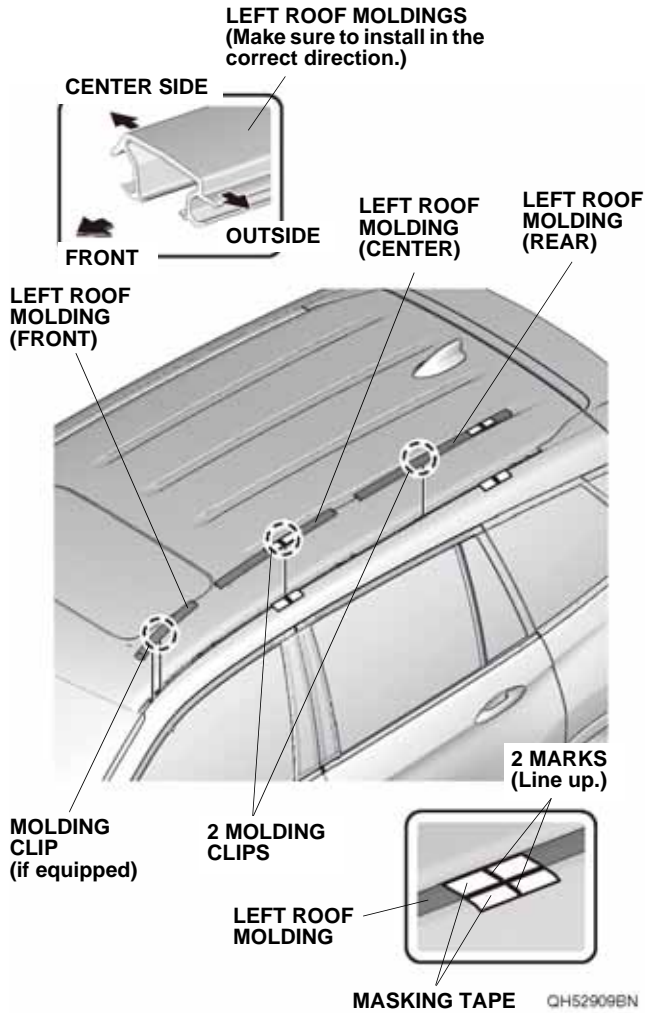
8. While wearing eye protection, use an air saw to cut the molding at the five marks made in step 7. Remove any burrs.



9. Install the new molding clips to the left roof moldings as shown.



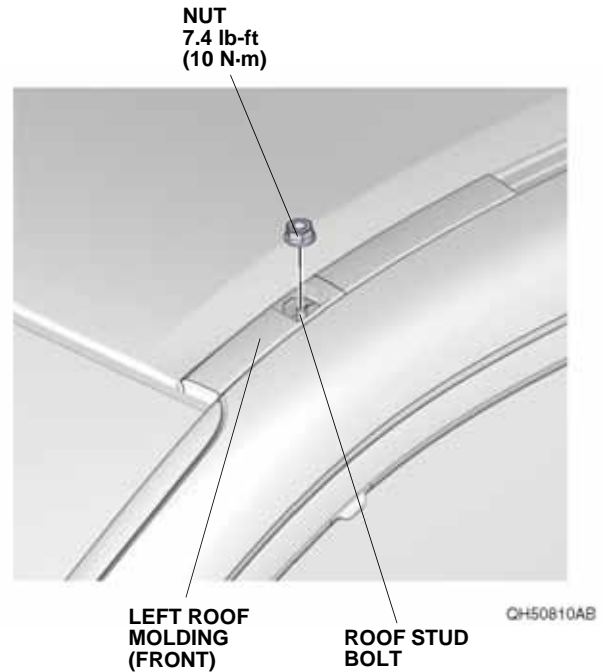
10. Install the left roof moldings with molding clips. Line up the marks on the four pieces of masking tape made in step 1 on the vehicle panel and left roof moldings.



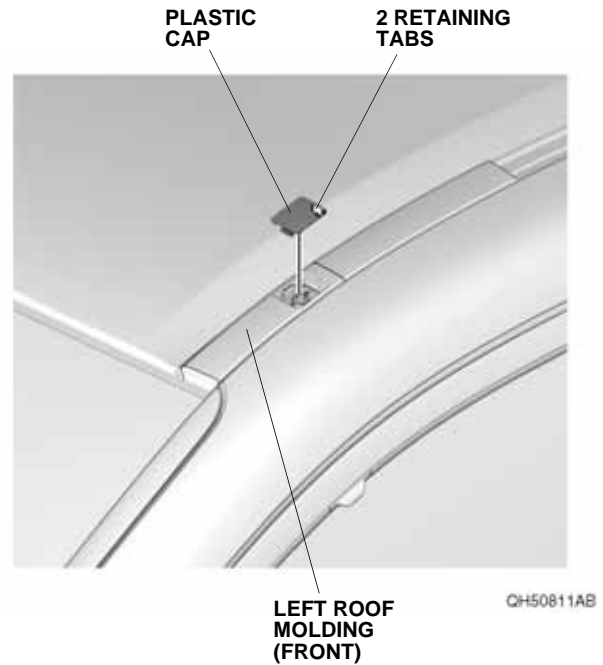
If the roof molding is equipped with a plastic cap, go to step 11; otherwise, go to step 13.

### With plastic cap

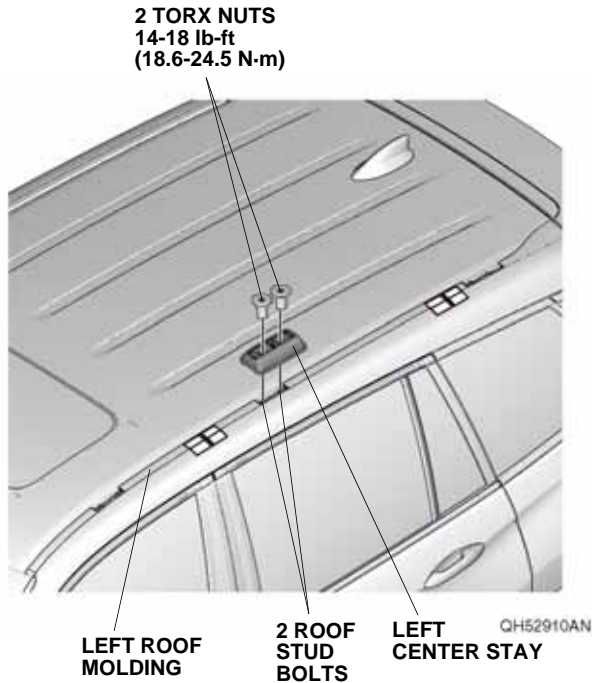
11. Install the nut removed in step 3 to the roof stud bolt. Torque the nut to 7.4 lb-ft (10 N·m).



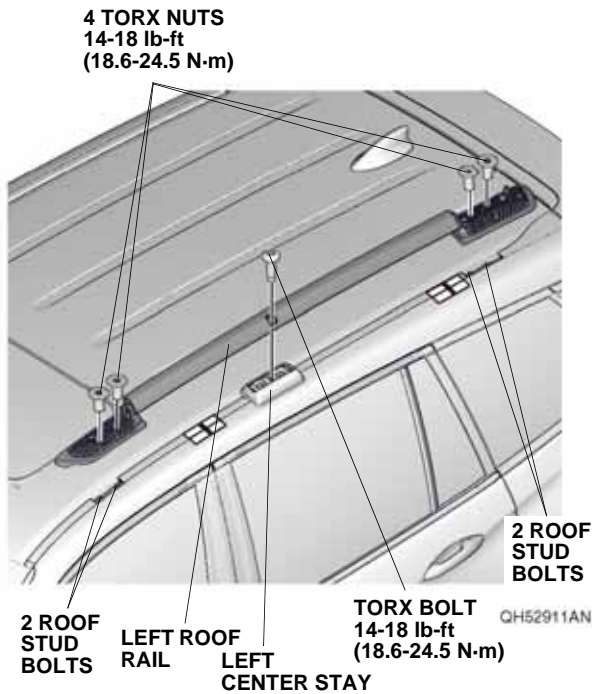
12. Install the plastic cap to the left roof molding with two retaining tabs.



13. Install the left center stay to the two roof stud bolts with two TORX nuts. Torque the TORX nuts to 14-18 lb-ft (18.6-24.5 N-m).

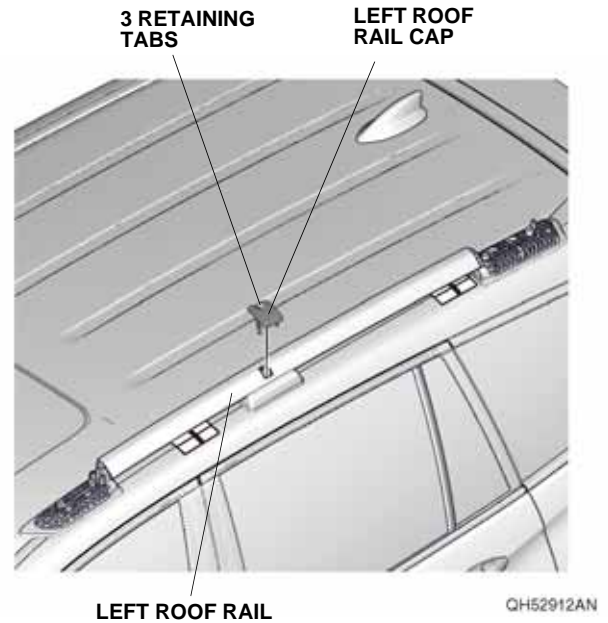


14. Install the left roof rail to the four remaining roof stud bolts with four TORX nuts. Torque the TORX nuts to 14-18 lb-ft (18.6-24.5 N-m).

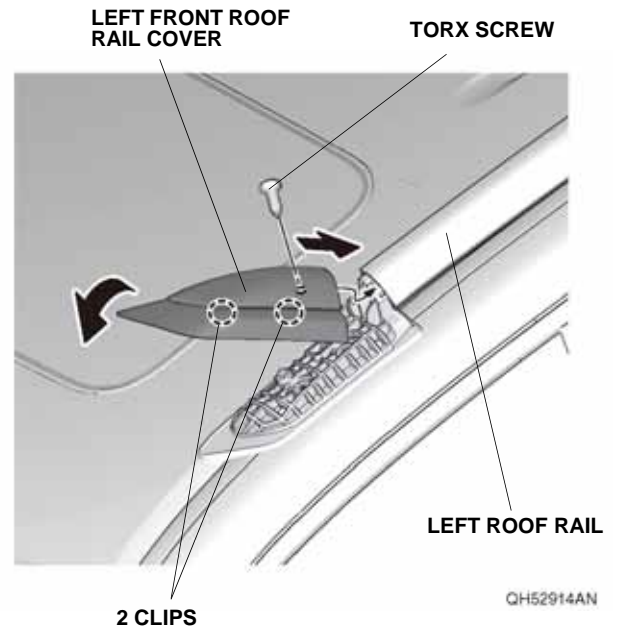


15. Secure the left roof rail to the left center stay with one TORX bolt. Torque the TORX bolt to 14-18 lb-ft (18.6-24.5 N-m).

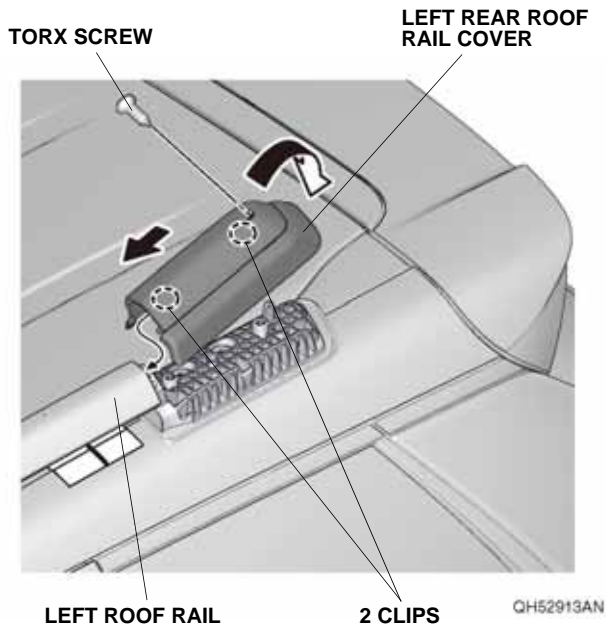
16. Install the left roof rail cap to the left roof rail with three retaining tabs.



17. Install the left front roof rail cover to the left roof rail with two clips and one TORX screw.



18. Install the left rear roof rail cover to the left roof rail with two clips and one TORX screw.  
NOTE: Make sure they are securely snapped in place.



19. Remove the masking tape from the vehicle.
20. Repeat steps 1 through 19 on the right side of the vehicle.