



## INSTALLATION INSTRUCTIONS

Accessory  
**REAR WELCOME LIGHTS**  
 P/N 08V27-TGS-100A

Application  
**2020 PASSPORT**

Publications No.  
**VERSION 1**  
 Issue Date  
**NOV 2019**

### PARTS LIST

Right light  
 (Identification mark: LH)



Left light  
 (Identification mark: RH)



Rear welcome light harness  
 (May not be used)



Subharness



Right trim  
 (Identification mark: RH)



Left trim  
 (Identification mark: LH)



Right retainer  
 (Identification mark: RH)



Left retainer  
 (Identification mark: LH)



15 Wire ties



2 Aluminum tapes



Fuse label  
 (May not be used)



2 Self-tapping screws



3 Clips A  
(long)



Clip B  
(short)



3 Bolts



3 Spring nuts



## TOOLS AND SUPPLIES REQUIRED

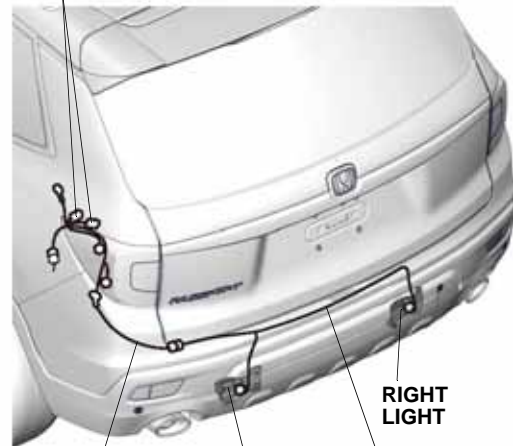
- Phillips screwdriver
- Scissors
- 10 mm Open end wrench
- 10 mm Socket
- Ratchet
- 5 mm Hex wrench
- Blanket
- Isopropyl alcohol
- Shop towel
- Masking tape
- Diagonal cutters

*The following tools are available through the Honda Tool and Equipment Program. On the iN, click on Service > Service Bay > Tool and Equipment Program, then enter the number under "Search." Or, call 888-424-6857.*

- Trim Tool Set (T/N SOJATP2014)
- Plastic Trim Tool (T/N SILTRIMTL10)

## Illustration of the Rear Welcome Lights on the Vehicle

2 FUSES, 2A



REAR WELCOME  
LIGHT HARNESS

LEFT  
LIGHT

RIGHT  
LIGHT

SUBHARNESS

QH52501AX

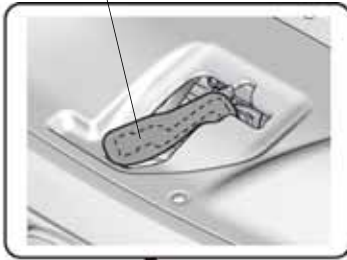
## INSTALLATION

**Customer Information:** The information in this installation instruction is intended for use only by skilled technicians who have the proper tools, equipment, and training to correctly and safely add equipment to your vehicle. These procedures should not be attempted by “do-it-yourselfers.”

**NOTE:** If installing backup sensors kit, install the backup sensors kit first.

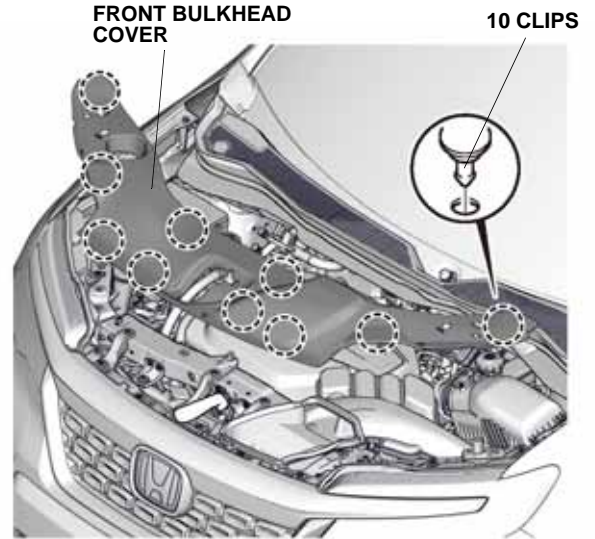
1. Open the tailgate.
2. Disconnect the negative cable from the battery:
  - Wrap a shop towel around the hood latch.

**HOOD LATCH**  
(Wrap with a shop towel.)



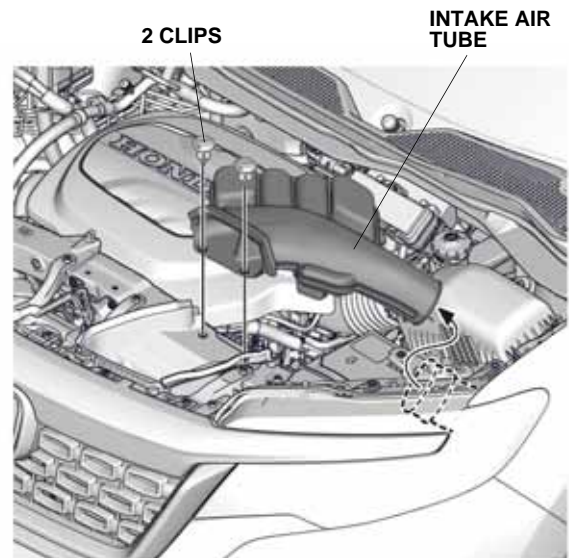
QH50702AB

- Remove the front bulkhead cover.



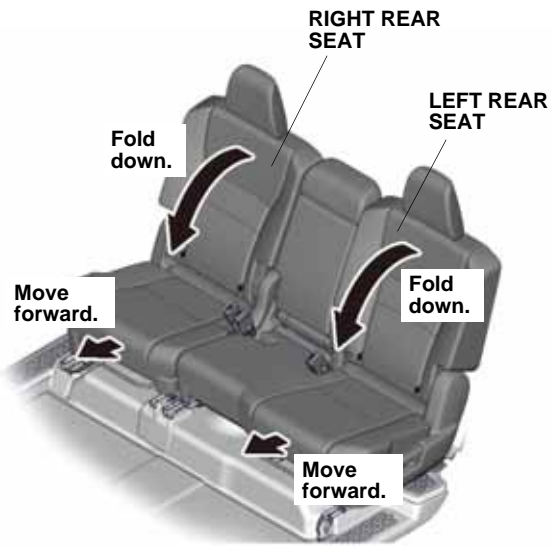
QH50703AB

- Remove the intake air tube.
- Disconnect the negative cable from the battery.

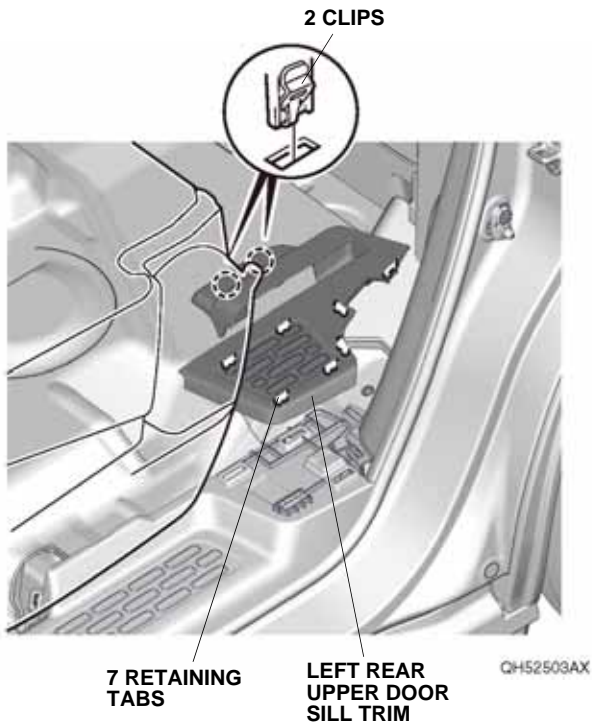


QH50704AB

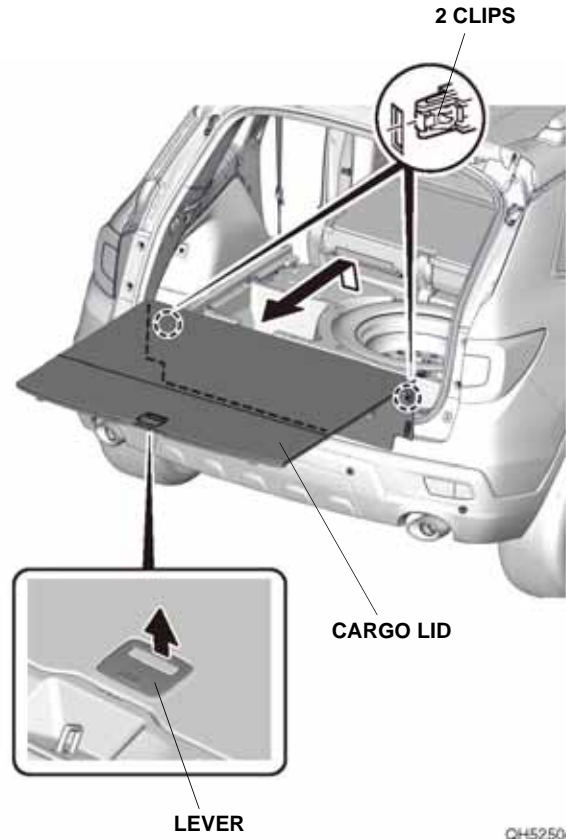
3. Fold down the left and right rear seats, and move them forward.



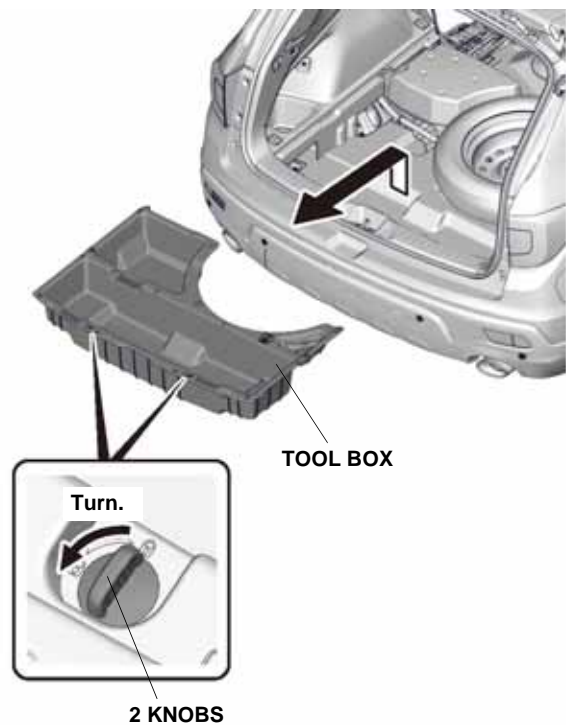
4. Remove the left rear upper door sill trim.



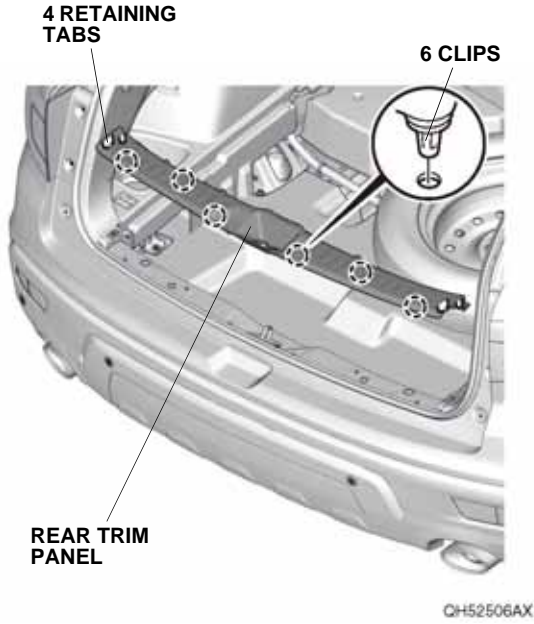
5. Remove the cargo lid.



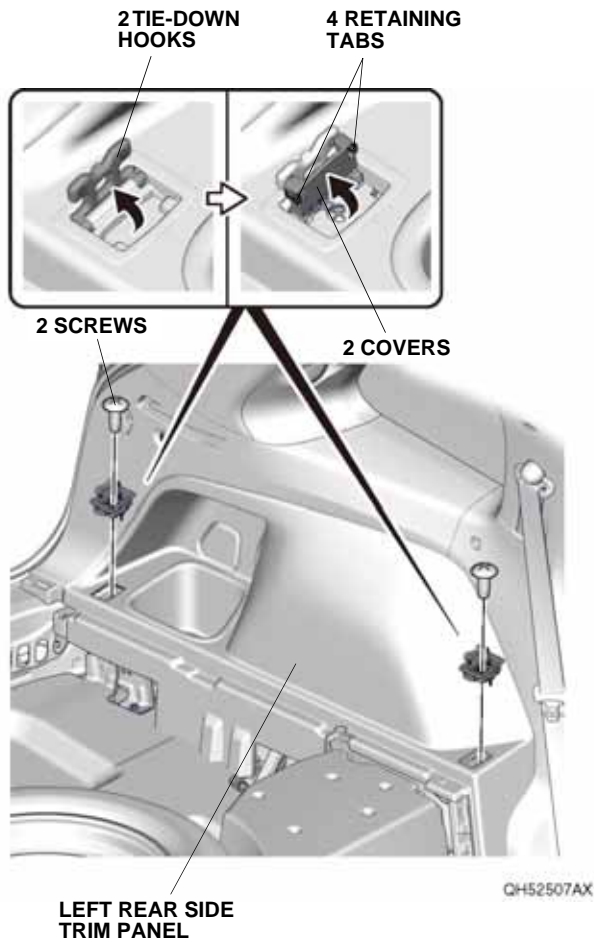
6. Remove the tool box.



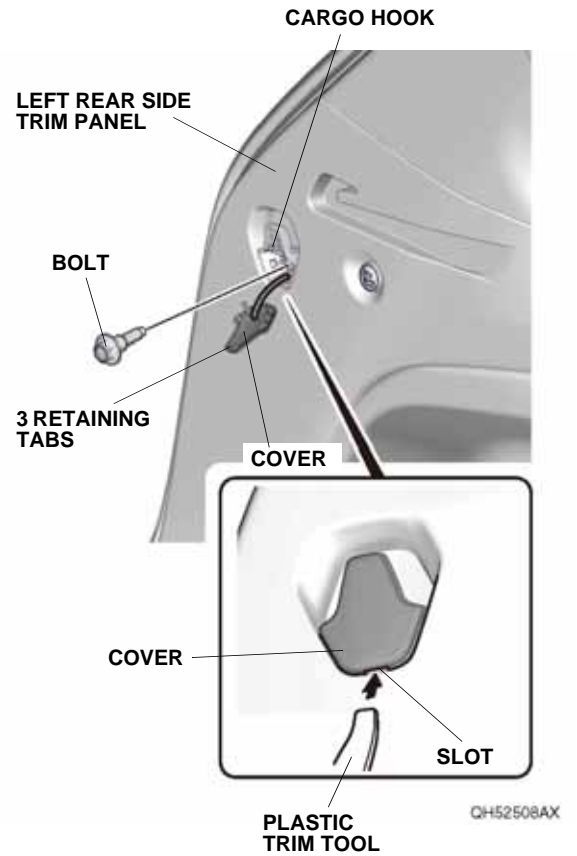
7. Remove the rear trim panel.



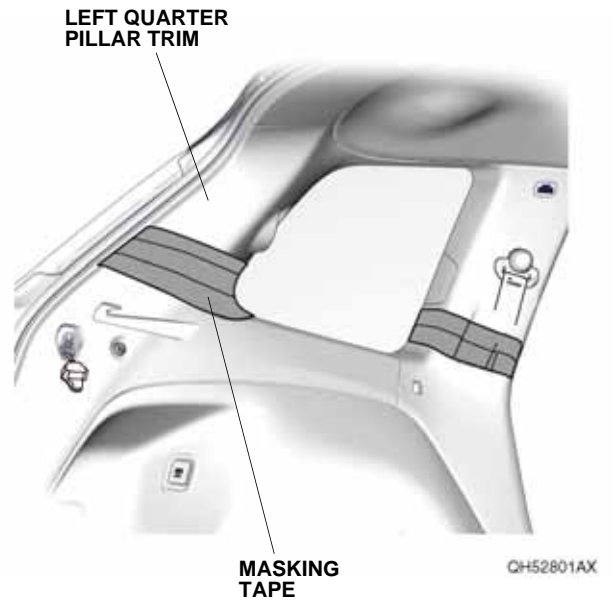
8. Remove the two tie-down hooks.



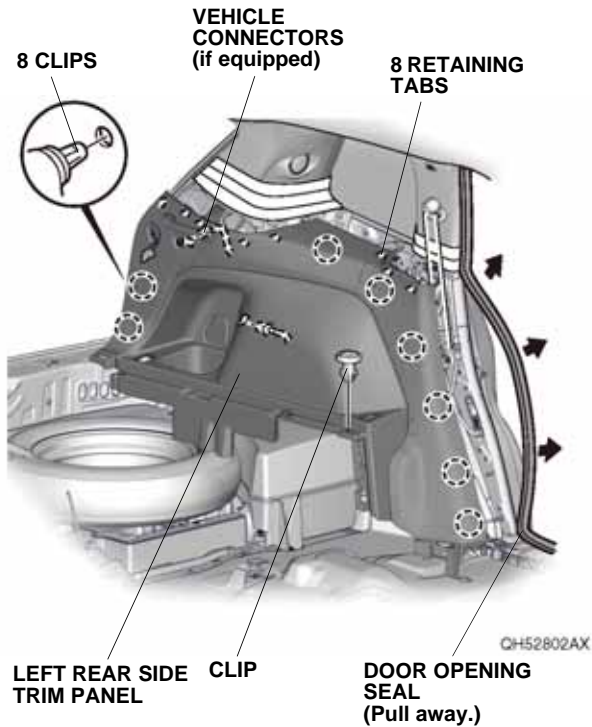
9. Using a plastic trim tool, pull the cover, and remove the cargo hook.



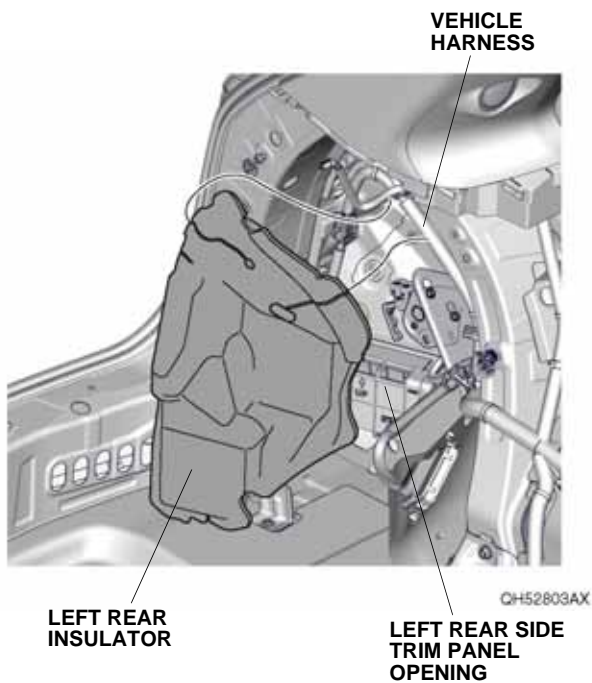
10. Apply masking tape to the left quarter pillar trim as shown.



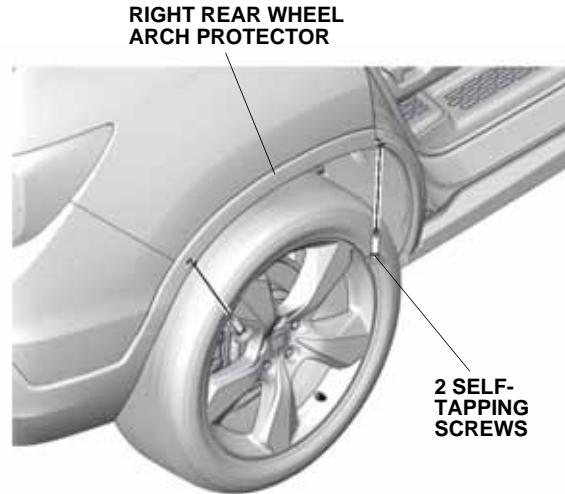
11. Pull away the door opening seal from around the left rear side trim panel. Remove the left rear side trim panel, and unplug the vehicle connectors (if equipped).



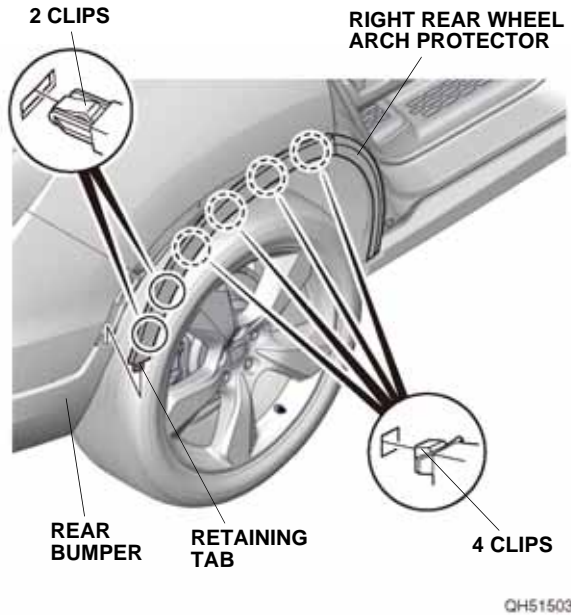
12. Release the vehicle harness to remove the left rear insulator.



13. Open the right rear door.

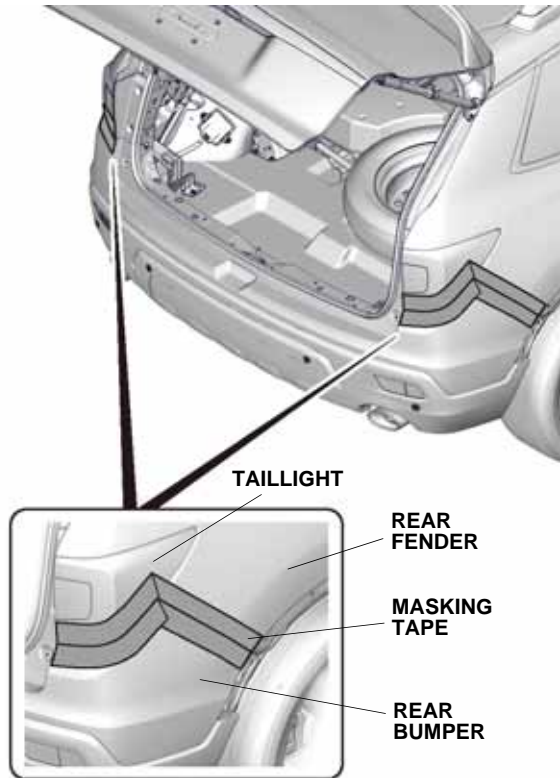


14. Remove the two self-tapping screws.
15. Release the right rear wheel arch protector.



16. Repeat steps 13 through 15 on the left side of the vehicle.

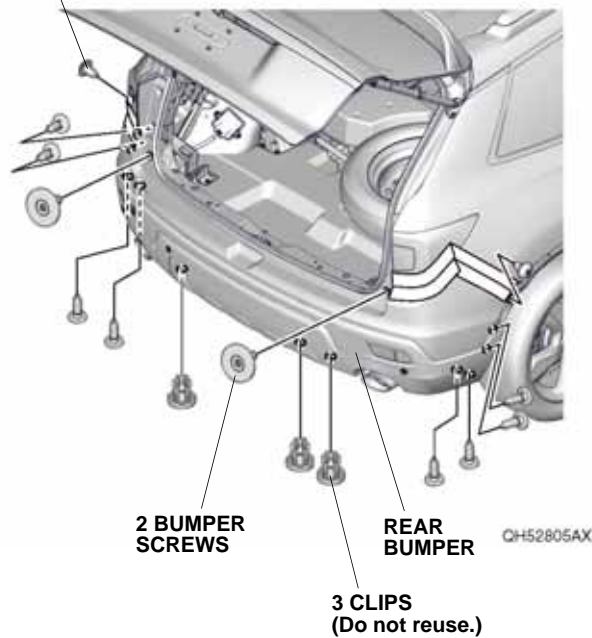
17. Remove the rear bumper:
- Apply masking tape as shown.



QH52804AX

- Remove the two bumper screws, 10 self-tapping screws, and three clips.

**10 SELF-TAPPING SCREWS**



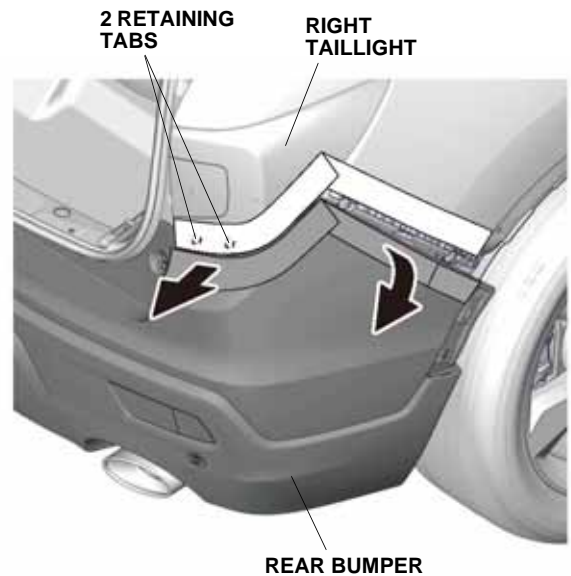
QH52805AX

- With the help of an assistant, release the seven retaining tabs along the fenderwell on each side.



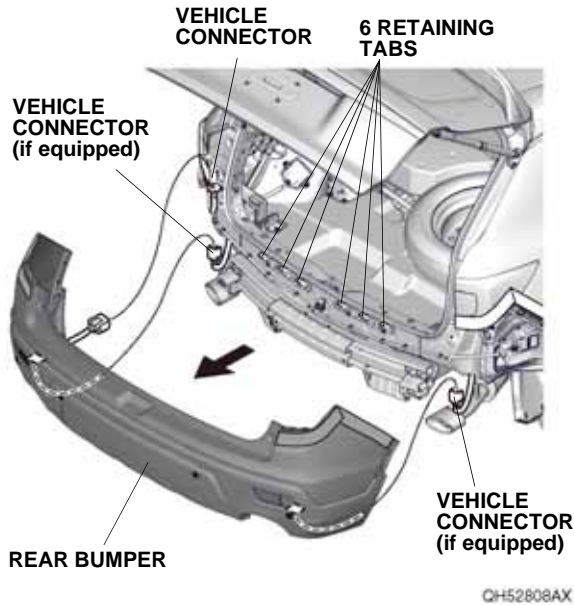
QH52806AX

- With the help of an assistant, release the two retaining tabs on each side.



QH52807AX

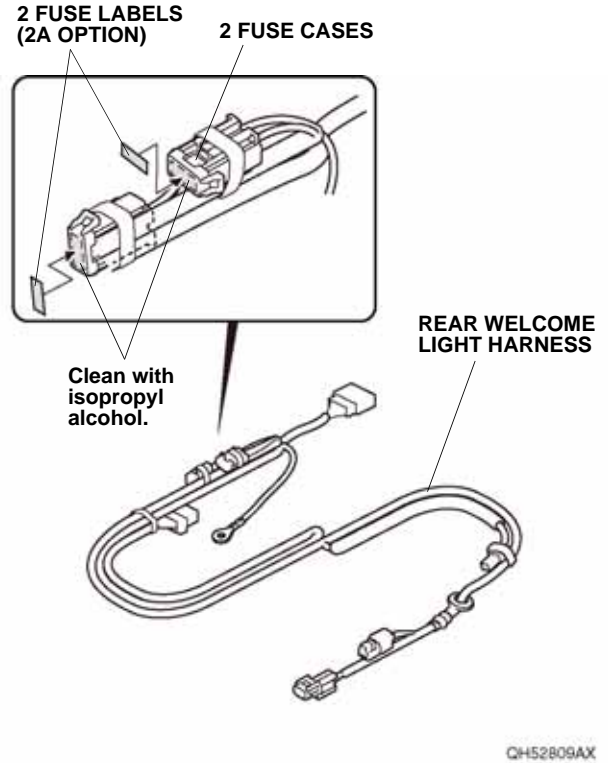
- With the help of an assistant, remove the rear bumper, and unplug the vehicle connectors.
- Place the rear bumper on a blanket.



If the vehicle is equipped with accessory backup sensors, go to step 32; otherwise, continue with step 18.

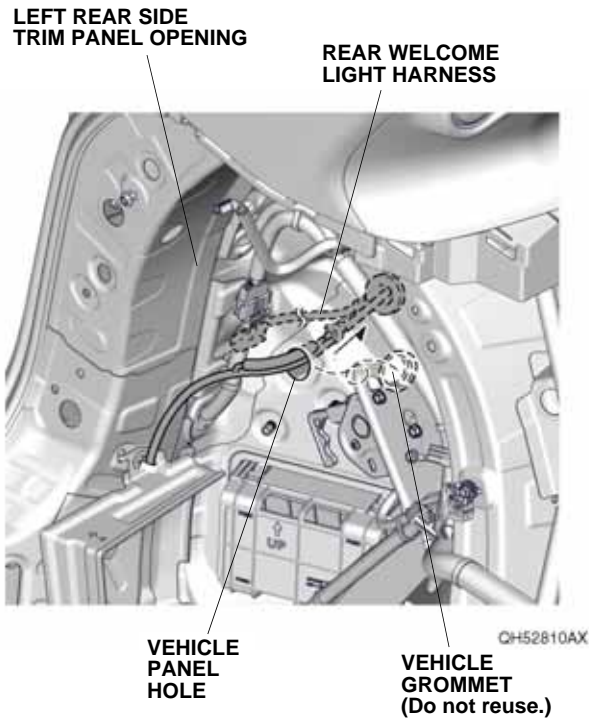
### Without accessory backup sensors

18. Using isopropyl alcohol on a shop towel, thoroughly clean the fuse cases where the fuse labels will attach. Attach the two fuse labels (2A OPTION) to the fuse cases on the rear welcome light harness.





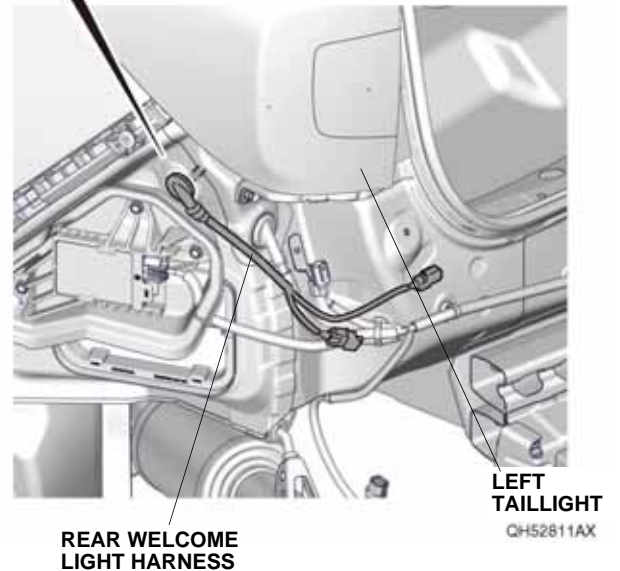
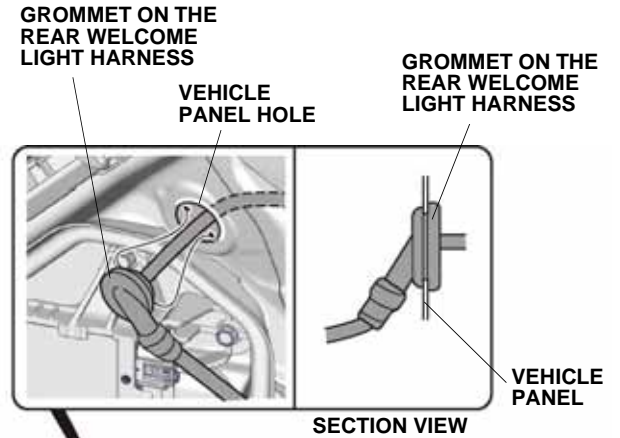
19. Remove the vehicle grommet. Route the rear welcome light harness through the vehicle panel hole as shown.



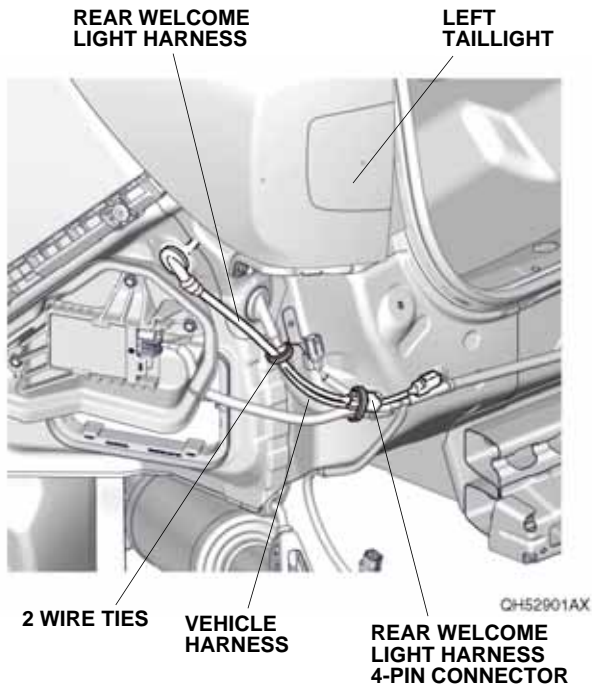
20. Secure the grommet on the rear welcome light harness to the vehicle panel hole.

NOTE:

- Install the rear welcome light harness by holding the grommet.
- Make sure the grommet is seated properly.



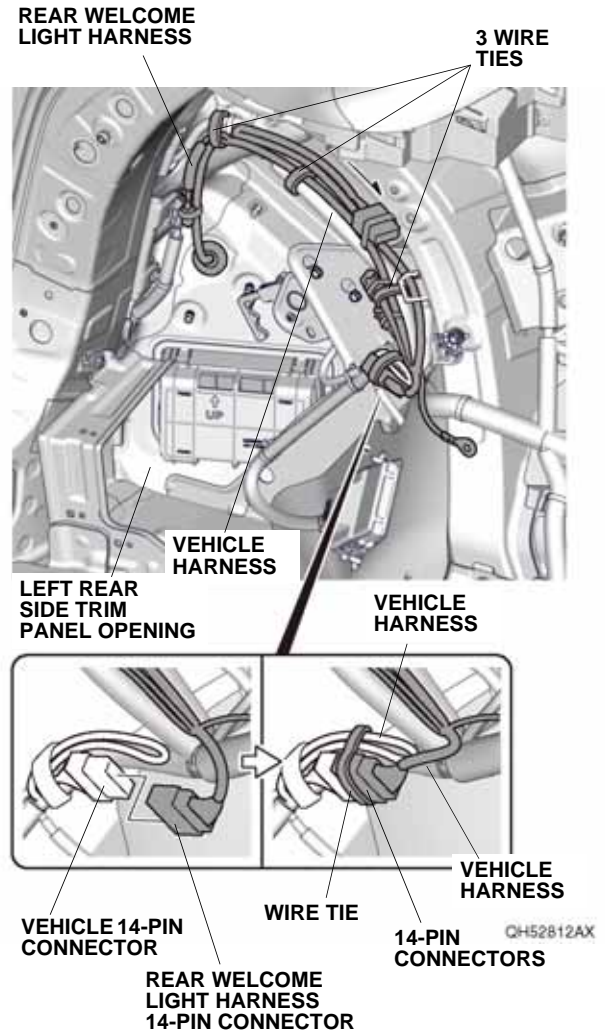
21. Secure the rear welcome light harness and rear welcome light harness 4-pin connector to the vehicle harness with two wire ties as shown.



If the vehicle is equipped with the accessory trailer harness, go to step 24; otherwise, continue with step 22.

### Without accessory trailer harness

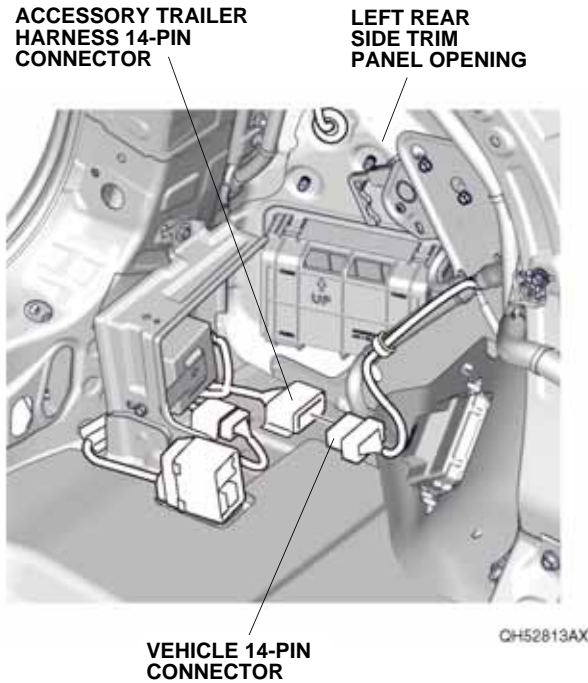
22. Route the rear welcome light harness along the vehicle harness, and plug the vehicle 14-pin connector into the rear welcome light harness 14-pin connector.



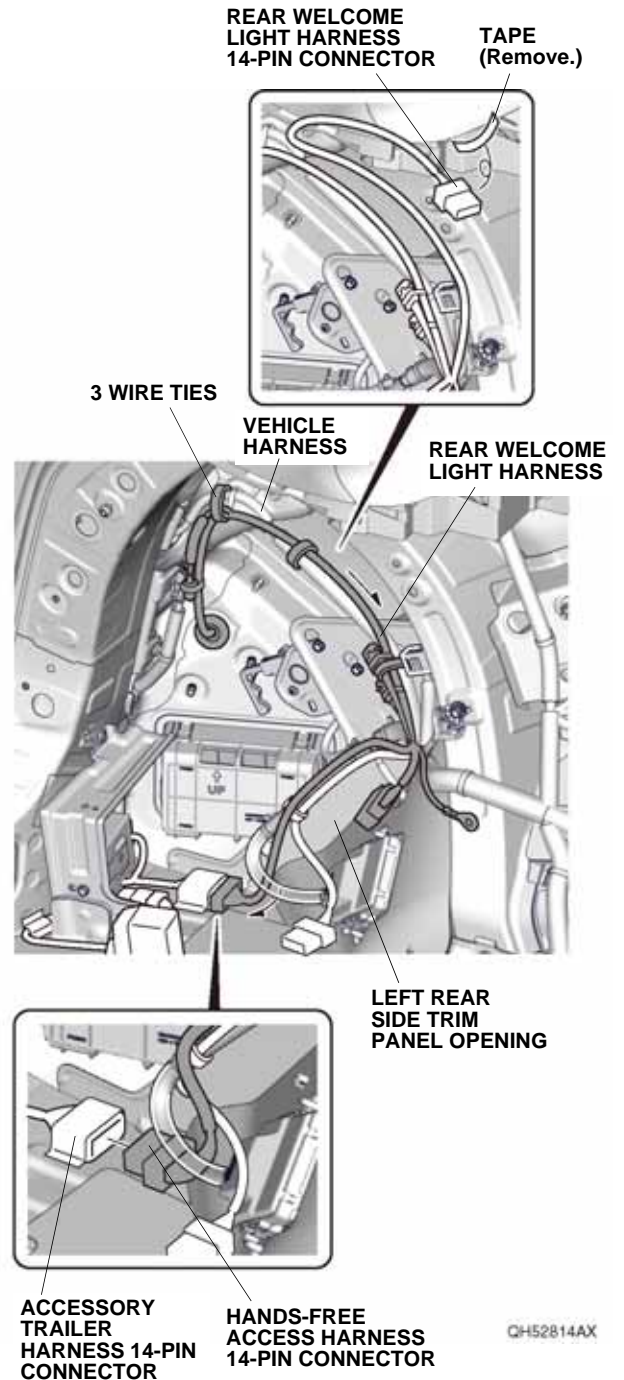
23. Secure the rear welcome light harness and 14-pin connectors to the vehicle harness with four wire ties as shown. Go to step 29.

## With accessory trailer harness

24. Unplug the vehicle 14-pin connector from the accessory trailer harness 14-pin connector.

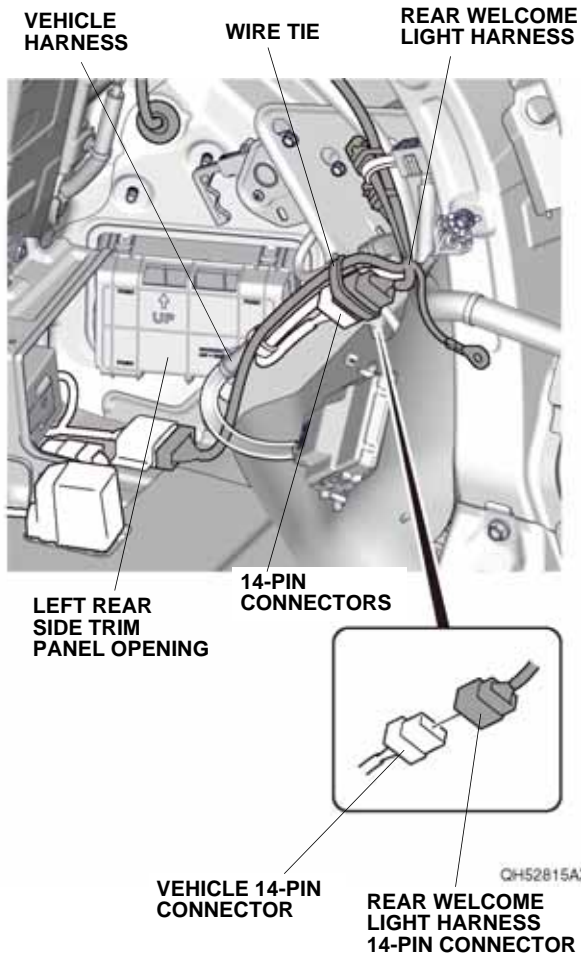


25. Remove the tape to free the rear welcome light harness 14-pin connector. Route the rear welcome light harness along the vehicle harness, and plug the rear welcome light harness 14-pin connector into the accessory trailer harness 14-pin connector.



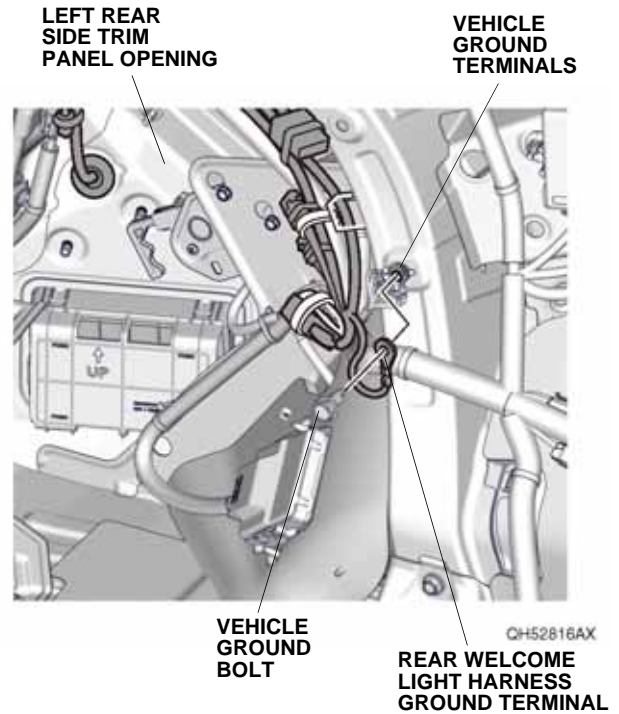
26. Secure the rear welcome light harness to the vehicle harness with three wire ties.

27. Plug the vehicle 14-pin connector into the rear welcome light harness 14-pin connector.



28. Secure the rear welcome light harness and 14-pin connectors to the vehicle harness with one wire tie.

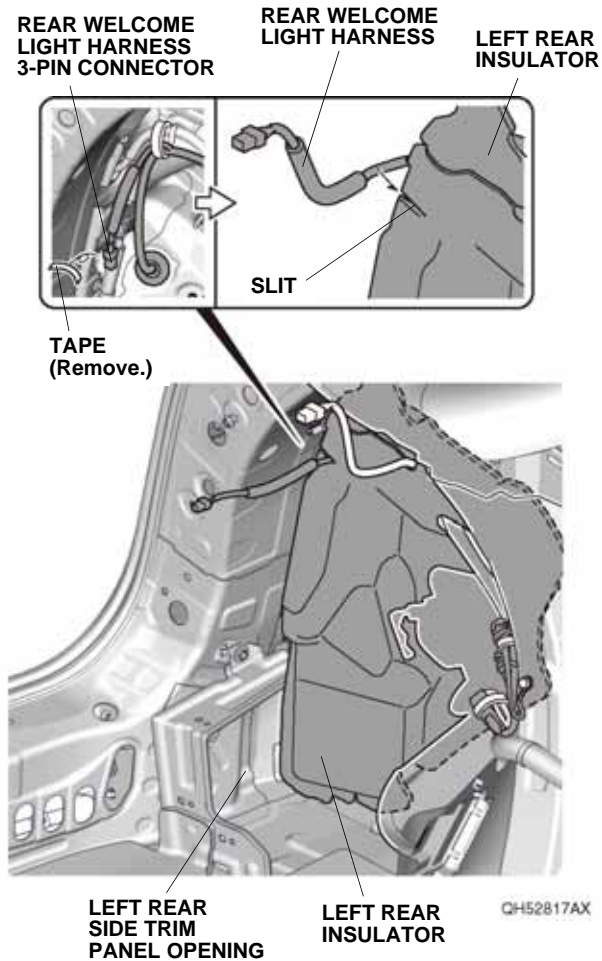
29. Remove the vehicle ground bolt, and secure the rear welcome light harness ground terminal to the vehicle ground terminals using that bolt.  
NOTE: Do not put the ground terminal calkings on top of one another.



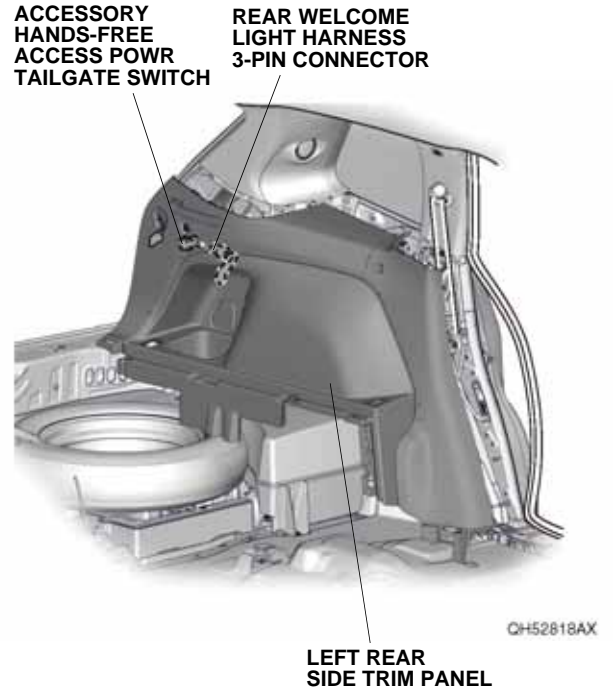
If the vehicle is equipped with the accessory Hands-Free Access Power Tailgate, continue with 30; otherwise, go to step 32.

## With accessory Hands-Free Access Power Tailgate

30. Remove the tape to free the rear welcome light harness 3-pin connector. Insert the rear welcome light harness to the slit on the left rear insulator as shown. Install the left rear insulator.



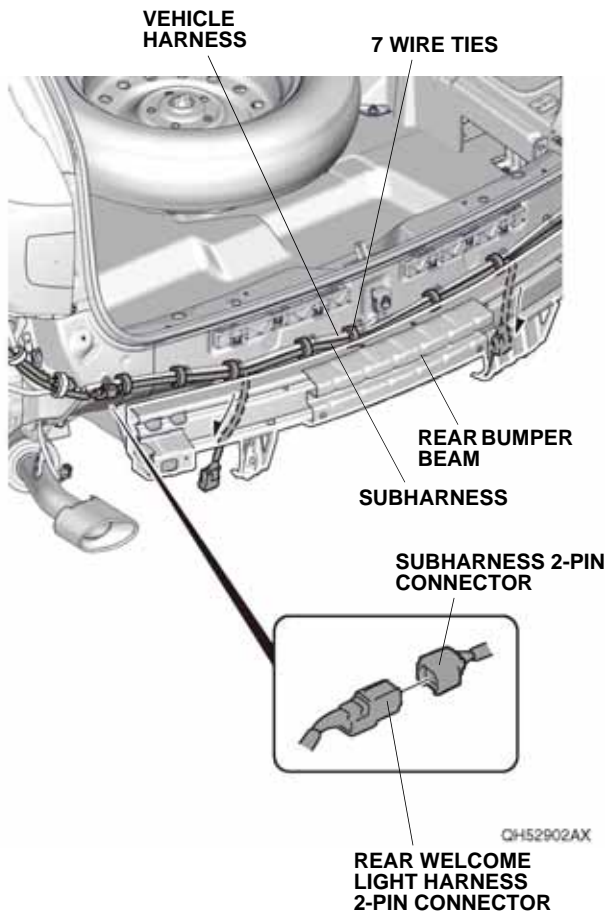
31. Plug the rear welcome light harness 3-pin connector into the accessory hands-free access power tailgate switch. Install the left rear side trim panel.



If the vehicle is equipped with the accessory backup sensors, go to step 33; otherwise, continue with step 32.

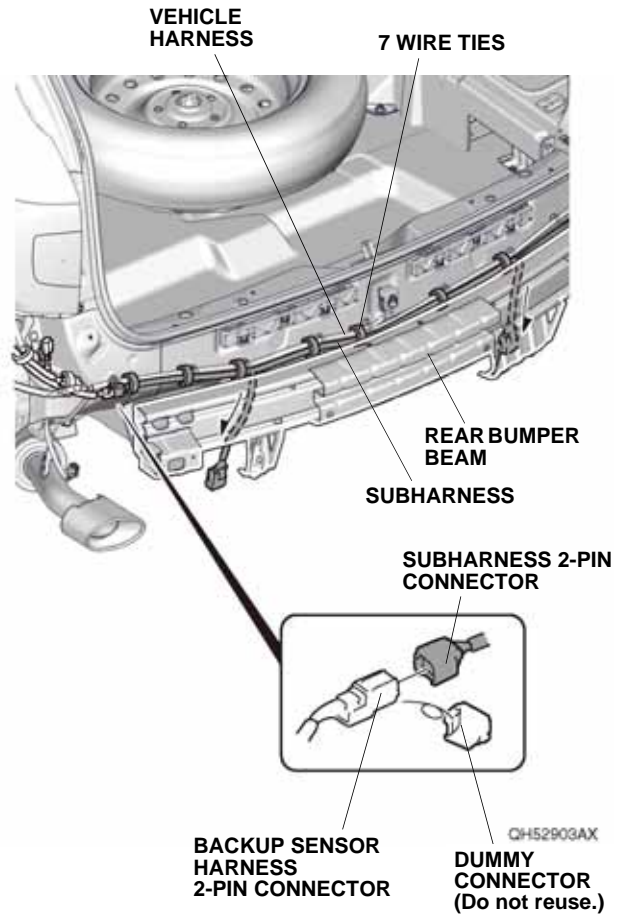
## Without accessory backup sensors

32. Plug the rear welcome light harness 2-pin connector into the subharness 2-pin connector. Route the subharness, and secure it to the vehicle harness with seven wire ties. With the help of an assistant, install the rear bumper. Go to step 35.



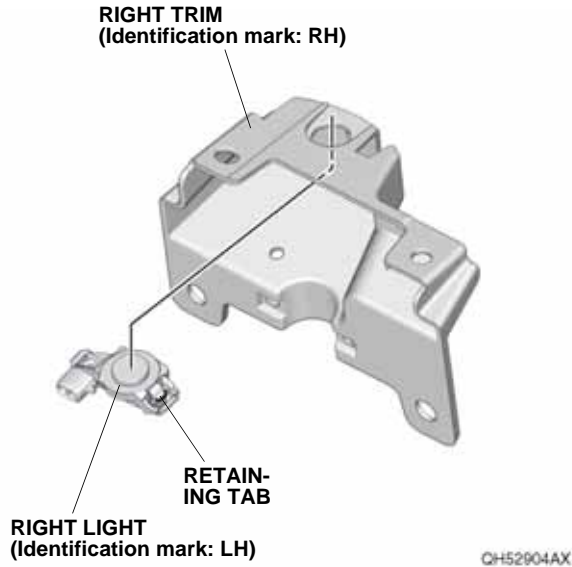
## With accessory backup sensors

33. Remove the dummy connector from the accessory backup sensor harness 2-pin connector. Plug the accessory backup sensor harness 2-pin connector into the subharness 2-pin connector.

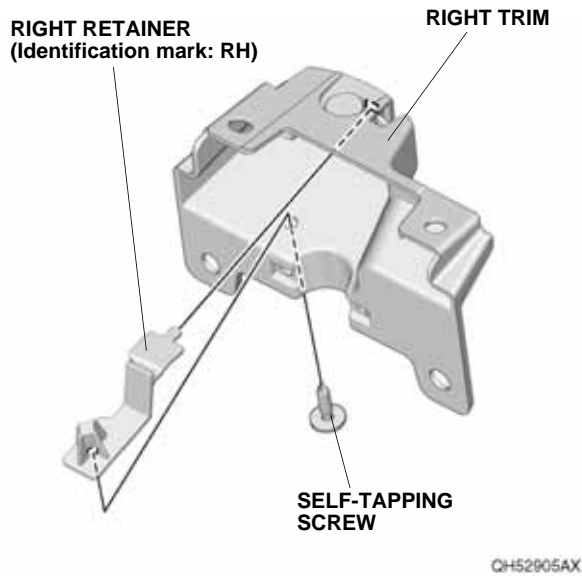


34. Route the subharness, and secure it to the vehicle harness with seven wire ties. With the help of an assistant, install the rear bumper.

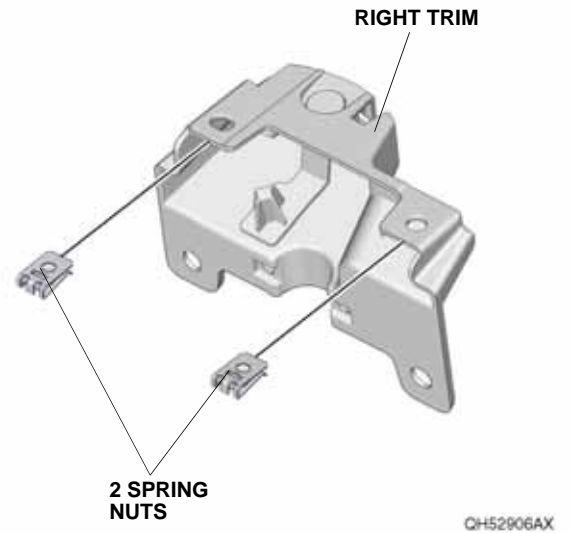
35. Install the right light to the right trim with one retaining tab.  
NOTE: Make sure to check the identification mark before installation.



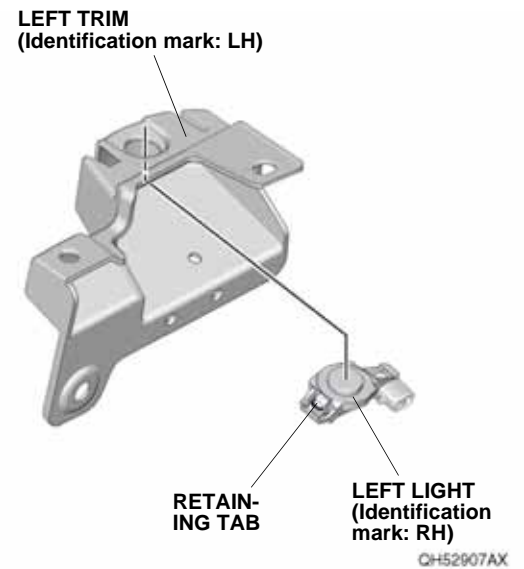
36. Install the right retainer to the right trim with one self-tapping screw.  
NOTE: Make sure to check the identification mark before installation.



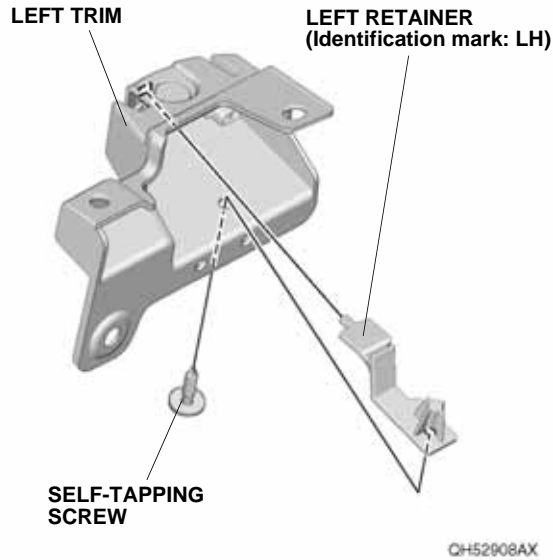
37. Install the two spring nuts to the right trim.  
NOTE: Make sure to install the two spring nuts in the correct position and orientation.



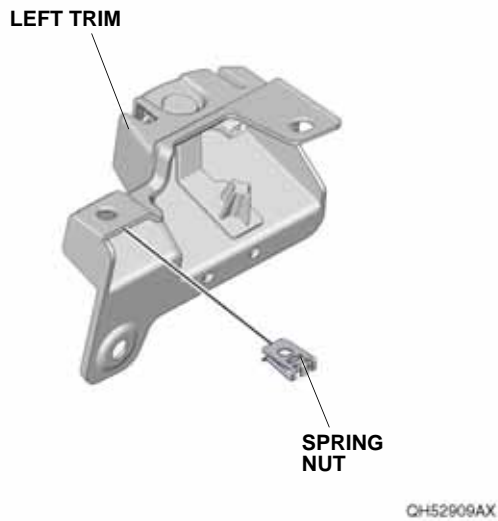
38. Install the left light to the left trim with one retaining tab.  
NOTE: Make sure to check the identification mark before installation.



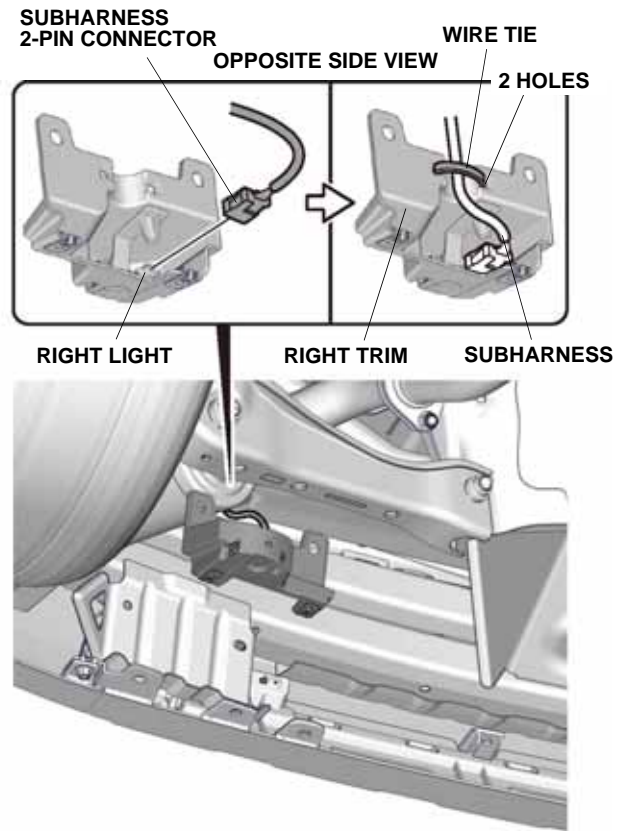
39. Install the left retainer to the left trim with one self-tapping screw.  
NOTE: Make sure to check the identification mark before installation.



40. Install the spring nut to the left trim.  
NOTE: Make sure to install the spring nut in the correct position and orientation.



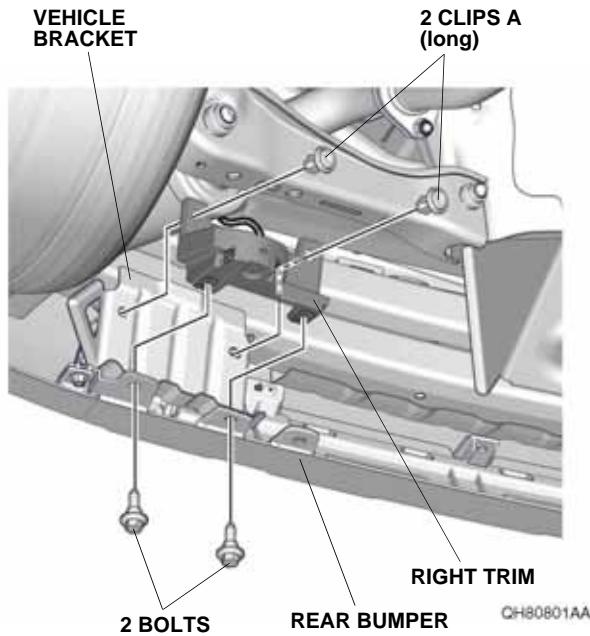
41. Plug the subharness 2-pin connector into the right light.



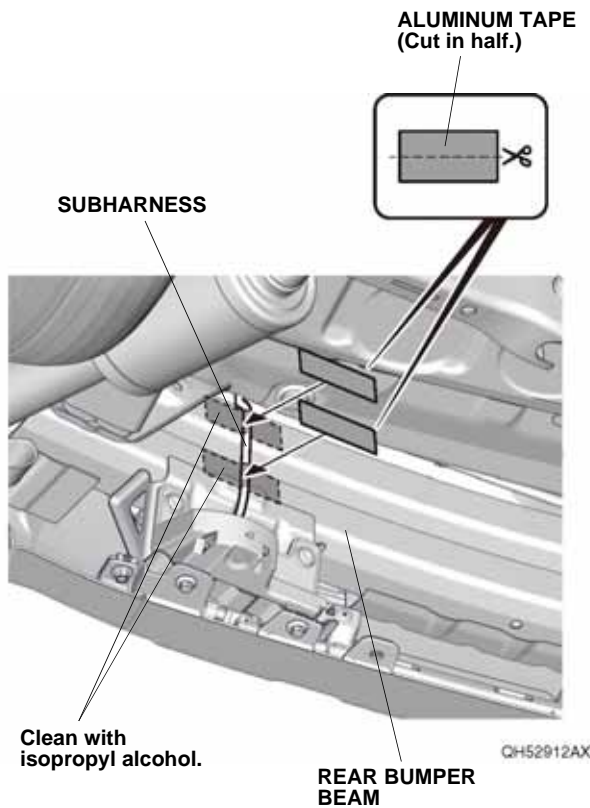
42. Secure the subharness to the right trim with one wire tie as shown.



43. Install the right trim to the rear bumper with two bolts and two clips A (long) as shown.

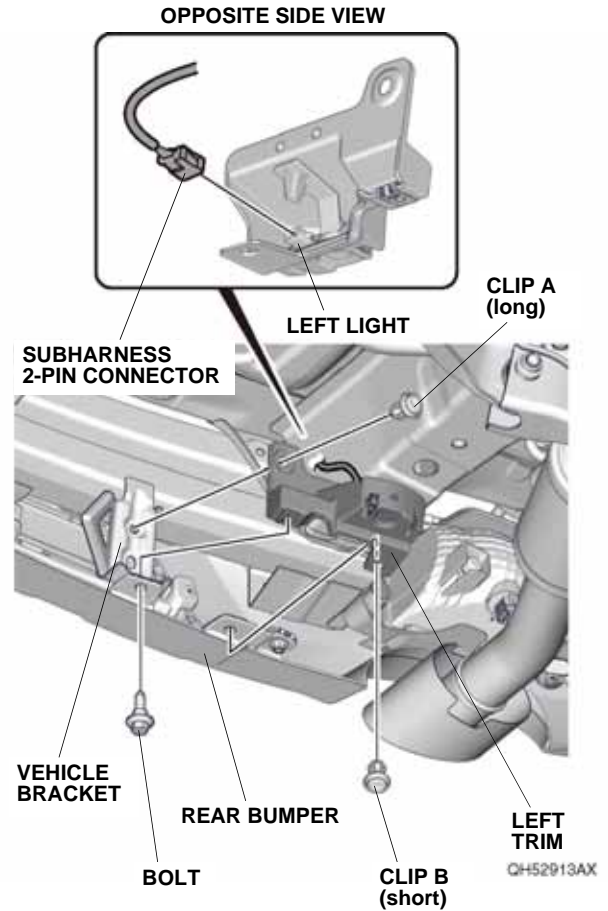


44. Using isopropyl alcohol on a shop towel, thoroughly clean the rear bumper beam where the aluminum tapes will attach.

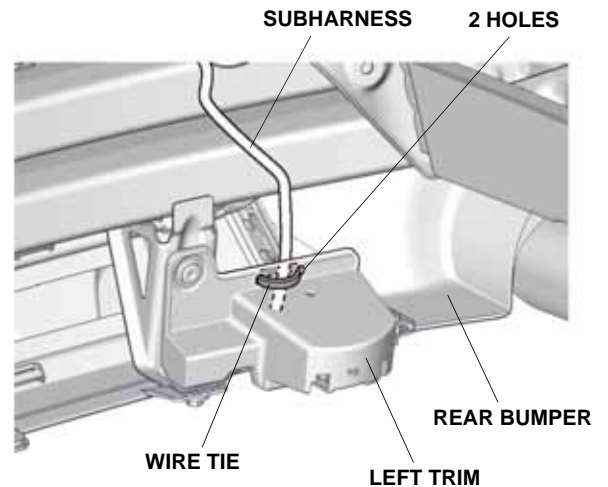


45. Using scissors, cut one piece of aluminum tape in half, and secure the subharness to the rear bumper beam with two pieces of aluminum tape as shown.

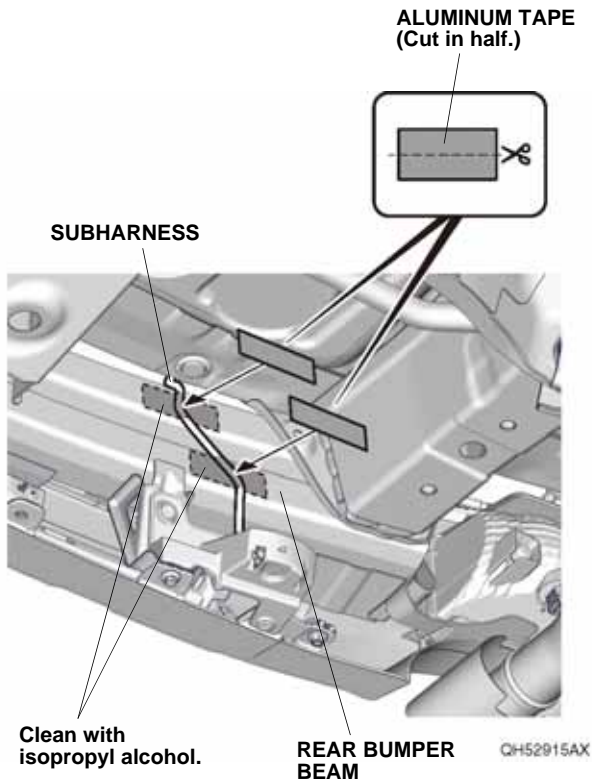
46. Plug the subharness 2-pin connector into the left light.



47. Install the left trim to the rear bumper with one bolt, one clip A (long), and one clip B (short) as shown.  
 48. Secure the subharness to the left trim with one wire tie as shown.



49. Using isopropyl alcohol on a shop towel, thoroughly clean the rear bumper beam where the aluminum tapes will attach.



50. Using scissors, cut one piece of aluminum tape in half, and secure the subharness to the rear bumper beam with two pieces of aluminum tape as shown.
51. Check that all wire harnesses are routed properly and all connectors are plugged in.
52. Install all removed parts except for the front bulkhead cover and the intake air tube.
53. Connect the negative cable to the battery.
54. Install the front bulkhead cover and the intake air tube.
55. Press and hold the radio power button for 2 seconds to restore the radio and navi (if equipped) system functions.
56. Set the clock on vehicle without navigation.

### **Check the Operation of the Rear Welcome Lights**

57. Make sure the lights turn on when the door is opened.
58. Make sure the lights turn off shortly after closing the door.
59. Make sure the lights turn on when unlocking the doors with the remote or smart entry.