



## INSTALLATION INSTRUCTIONS

Accessory

REAR LOWER TRIM  
P/N 08F03-TGS-100A

Application

2020 PASSPORT

Publications No.

VERSION 1

Issue Date

NOV 2019

### PARTS LIST

Rear lower trim



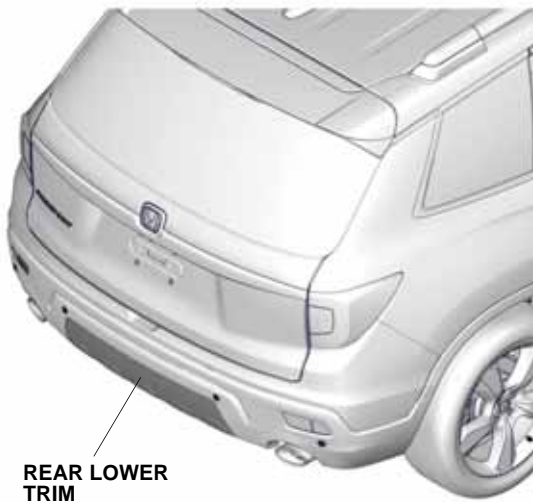
### TOOLS AND SUPPLIES REQUIRED

- Phillips screwdriver
- 10 mm Open end wrench
- 10 mm Socket
- Ratchet
- 5 mm Hex wrench
- Masking tape
- Blanket
- Shop towel

The following tools are available through the Honda Tool and Equipment Program. On the iN, click on Service > Service Bay > Tool and Equipment Program, then enter the number under "Search." Or, call 888-424-6857.

- Trim Tool Set (T/N SOJATP2014)
- Plastic Trim Tool (T/N SILTRIMTL10)

### Illustration of the Rear Lower Trim on the Vehicle



REAR LOWER TRIM

QH51501AC

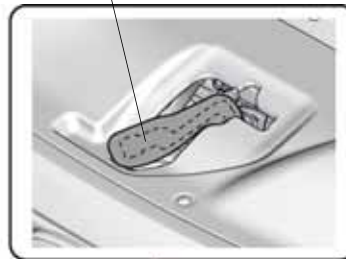
### INSTALLATION

**Customer Information:** The information in this installation instruction is intended for use only by skilled technicians who have the proper tools, equipment, and training to correctly and safely add equipment to your vehicle. These procedures should not be attempted by "do-it-yourselfers."

NOTE: Do not install on vehicles with a trailer hitch.

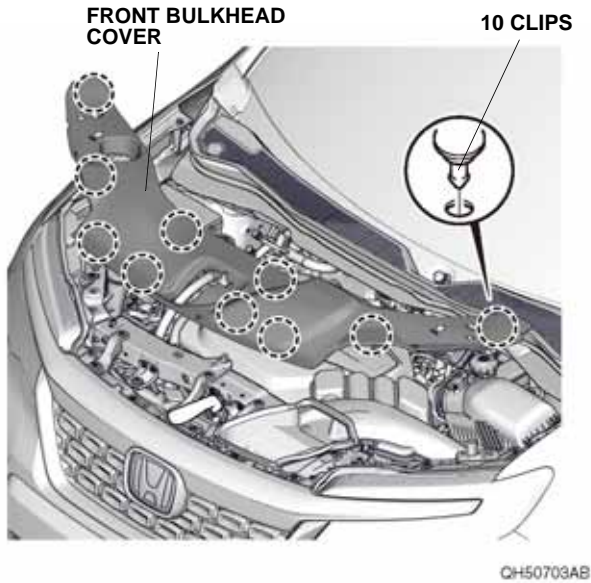
1. Open the tailgate.
2. Disconnect the negative cable from the battery:
  - Wrap a shop towel around the hood latch.

#### HOOD LATCH (Wrap with a shop towel.)

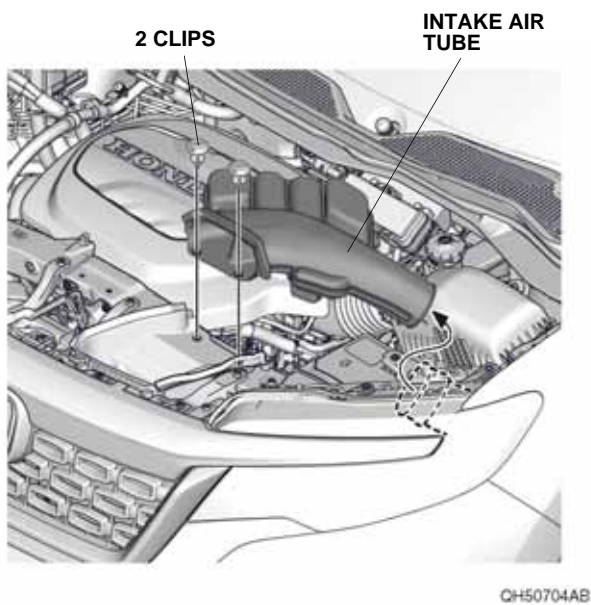


QH50702AB

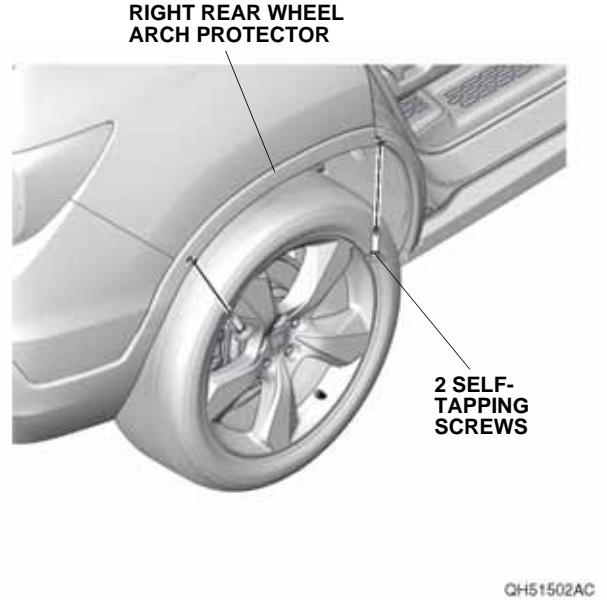
- Remove the front bulkhead cover.



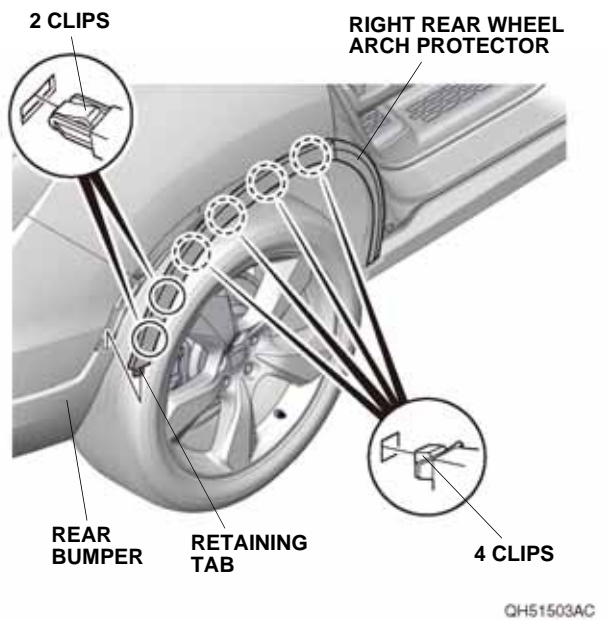
- Remove the intake air tube.
- Disconnect the negative cable from the battery.



- Open the right rear door.

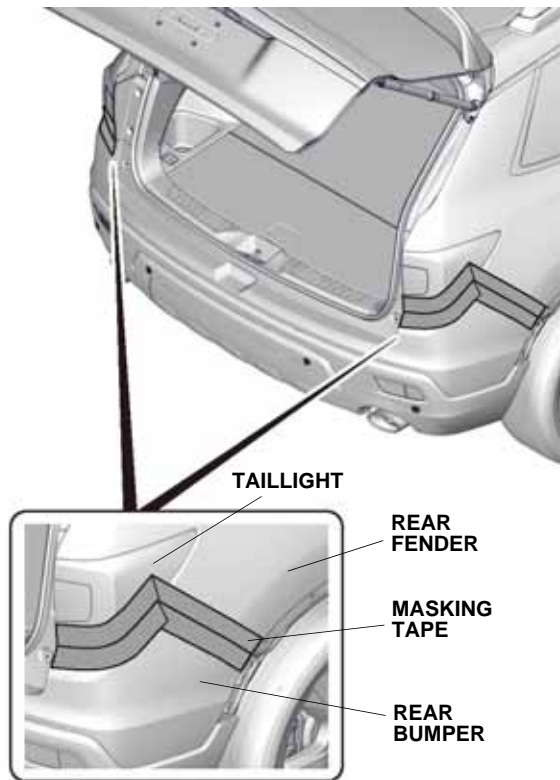


- Remove the two self-tapping screws.
- Release the right rear wheel arch protector.



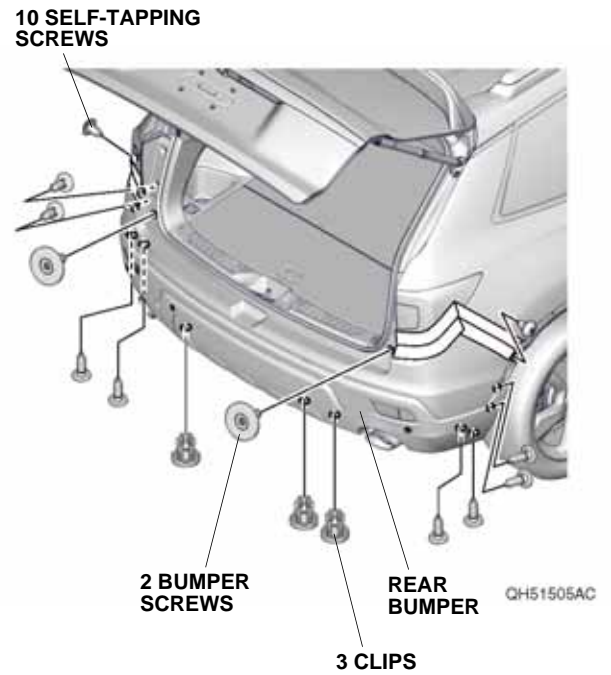
- Repeat steps 3 through 5 on the left side of the vehicle.

7. Remove the rear bumper:
- Apply masking tape as shown.

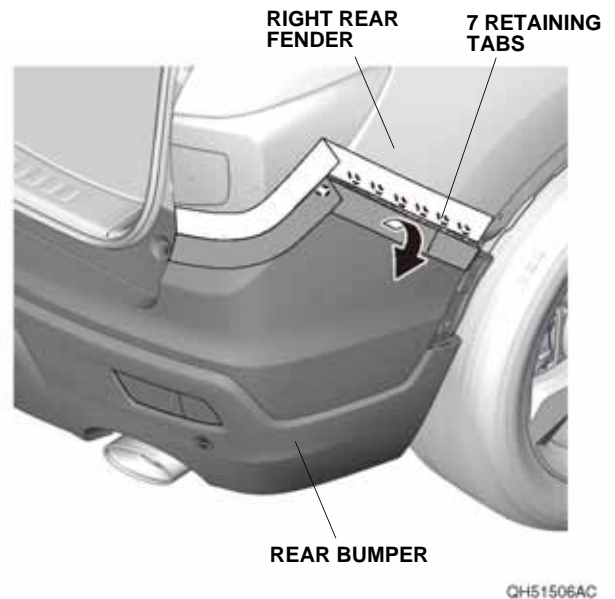


QH51504AC

- Remove the two bumper screws, 10 self-tapping screws, and three clips.

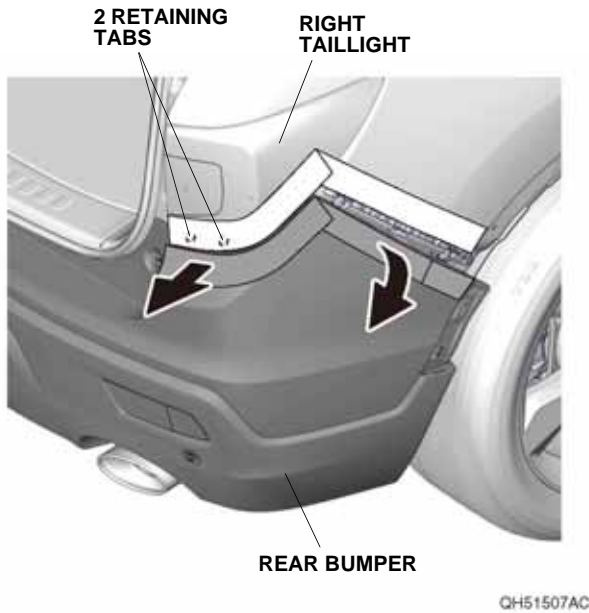


- With the help of an assistant, release the seven retaining tabs along the fenderwell on each side.

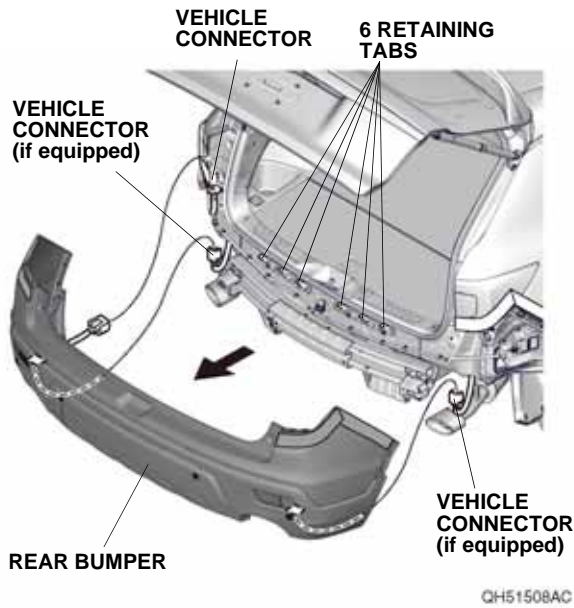


QH51506AC

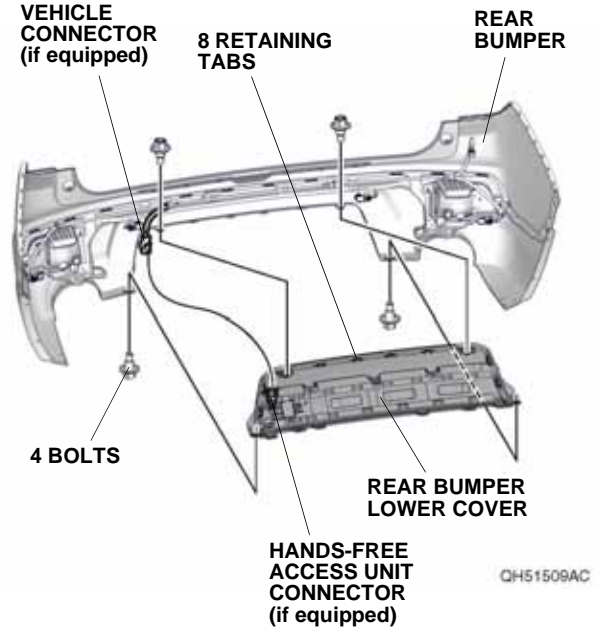
- With the help of an assistant, release the two retaining tabs on each side.



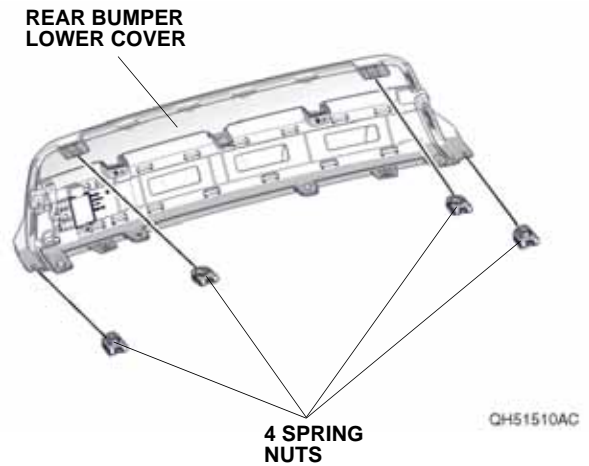
- With the help of an assistant, remove the rear bumper, and unplug the vehicle connectors.
- Place the rear bumper on a blanket.



8. Unplug the vehicle connector (if equipped). Then, remove the rear bumper lower cover from the rear bumper.



9. Remove the four spring nuts from the rear bumper lower cover.

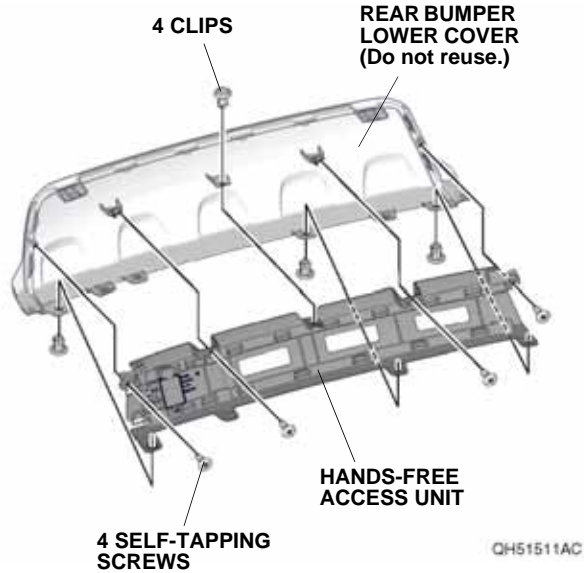




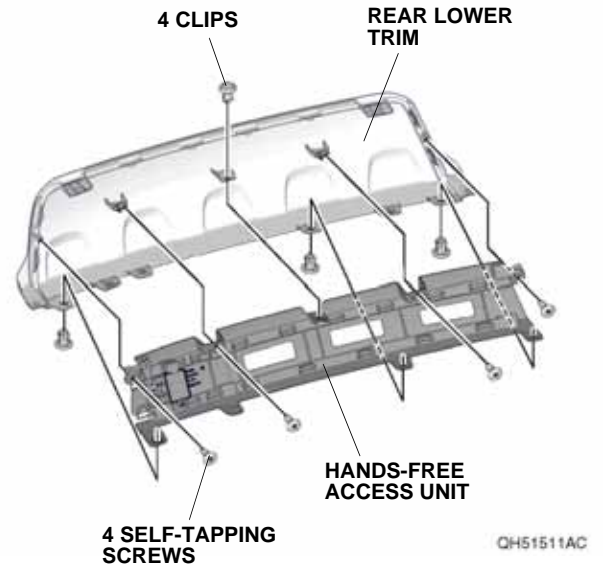
If the vehicle is equipped with the Hands-Free Access Power Tailgate, continue with step 10; otherwise, go to step 12.

## With Hands-Free Access Power Tailgate

10. Remove the hands-free access unit.

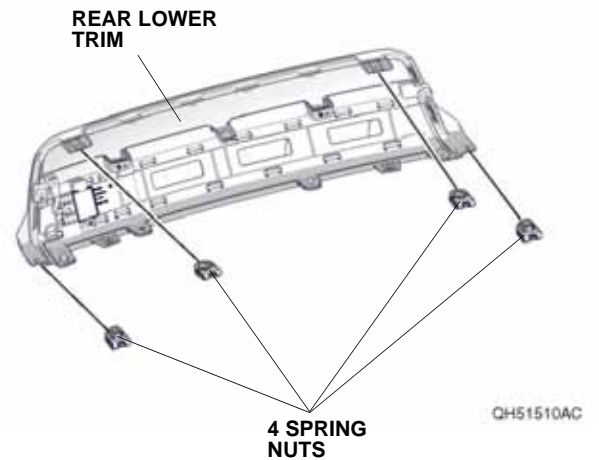


11. Install the hands-free access unit to the rear lower trim with four clips and four self-tapping screws removed in step 10.

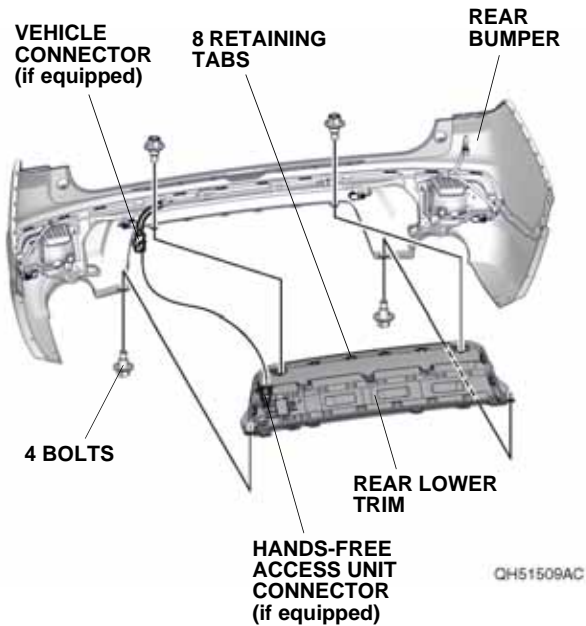


12. Install the four spring nuts removed in step 9 to the rear lower trim.

NOTE: Make sure to install the spring nuts in the correct orientation.



13. Install the rear lower trim to the rear bumper with eight retaining tabs and four bolts removed in step 8. Then, plug the vehicle connector to the hands-free access unit connector (if equipped).



14. Check that all wire harnesses are routed properly and all connectors are plugged in.
15. Install all removed parts except for the front bulkhead cover and the intake air tube.
16. Connect the negative cable to the battery.
17. Install the front bulkhead cover and the intake air tube.
18. Press and hold the audio unit power button for 2 seconds to restore the audio and navi (if equipped) system functions.
19. Set the clock on vehicles without navigation.
20. If necessary, restore the systems back to normal operation as described in the service information.