



## INSTALLATION INSTRUCTIONS

Accessory  
CD PLAYER

Application  
2020 PASSPORT

Publications No.  
VERSION 1

Issue Date  
NOV 2019

### PARTS LIST

Attachment Kit  
P/N 08A06-TG7-100B  
P/N 08A06-TG7-100D

\*: The part differs depending on the kit.  
Left bracket



Right bracket



4 Flange bolts, 5 x 7 mm



2 Bolts, 6 mm



Center tray



\* Accessory socket holder  
(P/N 08A06-TG7-100D)



\* Accessory socket holder  
(P/N 08A06-TG7-100B)



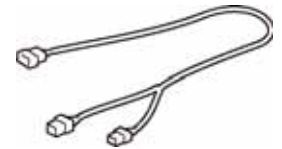
\* 2 Wire ties  
(P/N 08A06-TG7-100B)



\* 4 Urethane tapes  
(P/N 08A06-TG7-100B)



\* CD player harness  
(P/N 08A06-TG7-100B)



\* Feeder harness A  
(P/N 08A06-TG7-100B)



\* Feeder harness B  
(P/N 08A06-TG7-100B)



**CD Player Kit**  
**P/N 08A06-TG7-100A**  
**P/N 08A06-TG7-100C**

\*: The part differs depending on the kit.

\* CD Player unit  
(P/N 08A06-TG7-100A)



\* CD Player unit  
(P/N 08A06-TG7-100C)



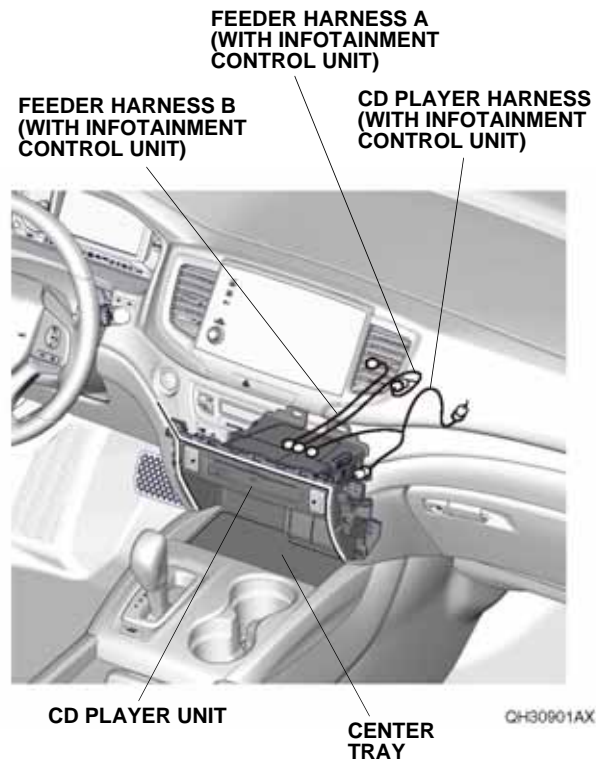
## TOOLS AND SUPPLIES REQUIRED

- Phillips screwdriver
- Ratchet
- 8 mm Socket
- 10 mm Open end wrench
- EXTERNAL TORX wrench
- Shop towel
- Masking tape
- Diagonal cutters

*The following tools are available through the Honda Tool and Equipment Program. On the iN, click on Service > Service Bay > Tool and Equipment Program, then enter the number under "Search." Or, call 888-424-6857.*

- Trim Tool Set (T/N SOJATP2014)
- Plastic Trim Tool (T/N SILTRIMTL10)

## Illustration of the CD Player Unit on the Vehicle

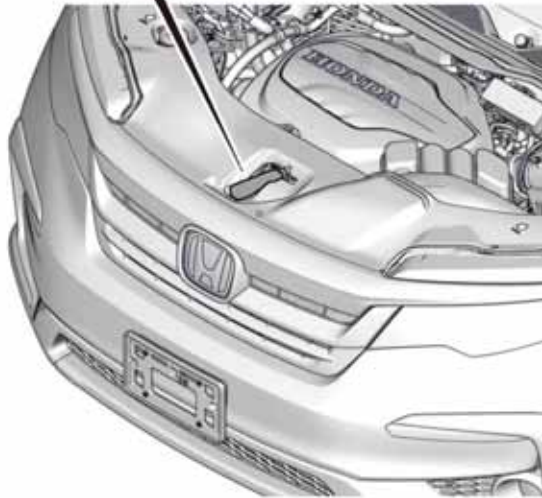
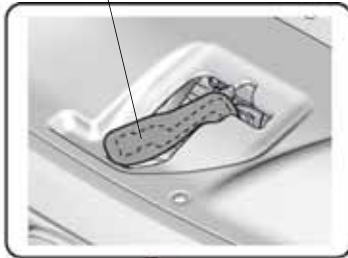


## INSTALLATION

**Customer Information:** The information in this installation instruction is intended for use only by skilled technicians who have the proper tools, equipment, and training to correctly and safely add equipment to your vehicle. These procedures should not be attempted by “do-it-yourselfers.”

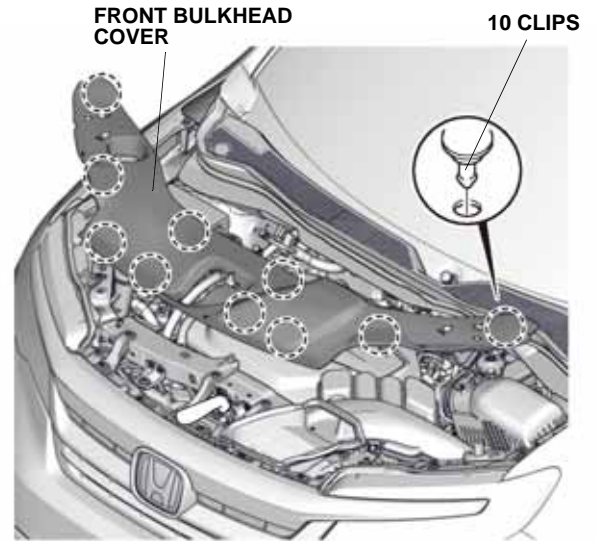
1. Disconnect the negative cable from the battery:
  - Wrap a shop towel around the hood latch.

**HOOD LATCH**  
(Wrap with a shop towel.)



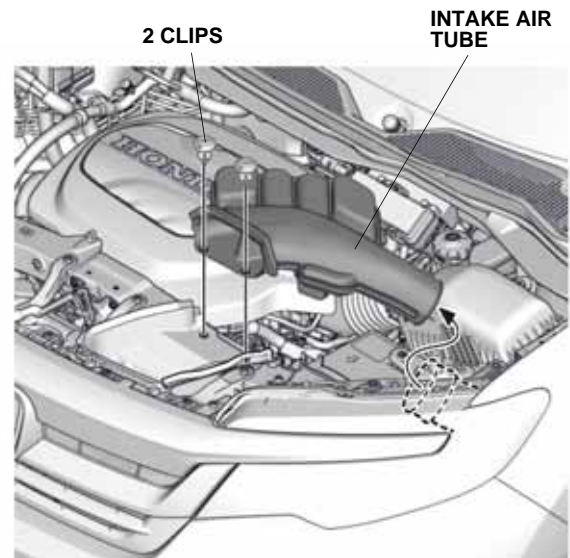
QH21201AB

- Remove the front bulkhead cover.



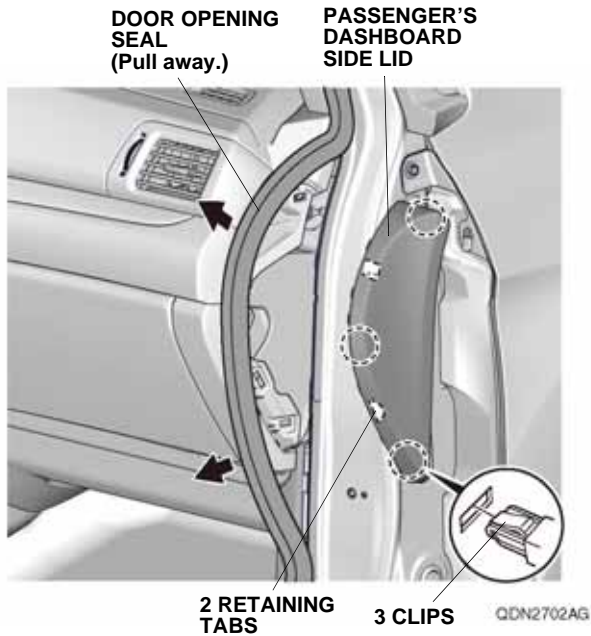
QH21202AB

- Remove the intake air tube.
- Disconnect the negative cable from the battery.



QH21203AB

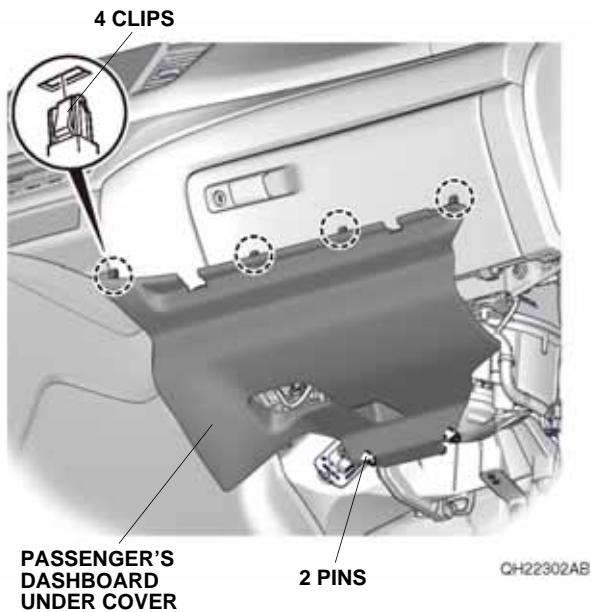
2. Pull away the door opening seal, and remove the passenger's dashboard side lid.



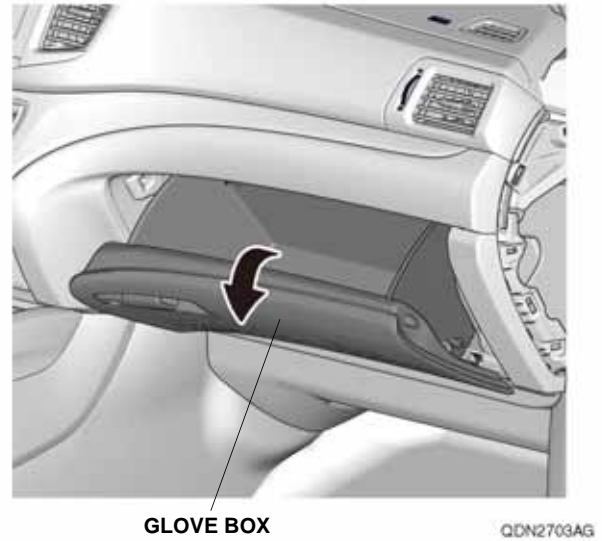
If the vehicle is equipped with the infotainment control unit, continue with step 3; otherwise, go to step 4.

### With infotainment control unit

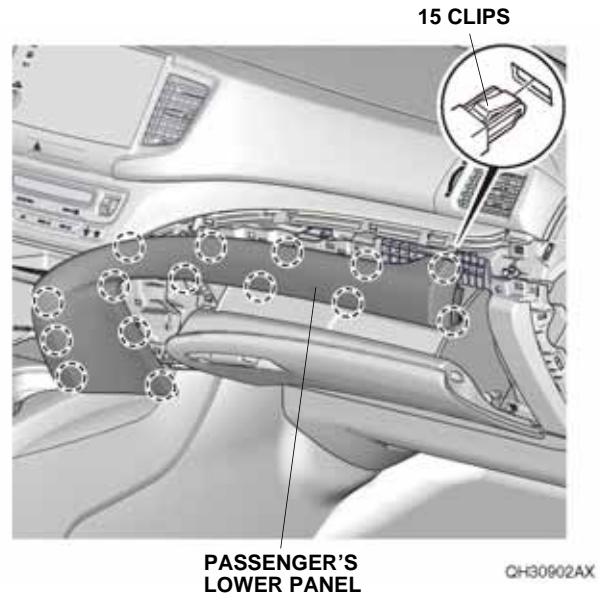
3. Remove the passenger's dashboard under cover.



4. Open the glove box.



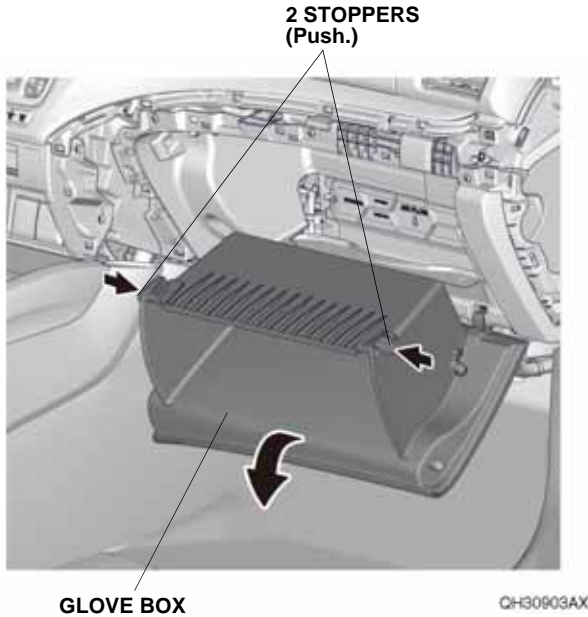
5. Remove the passenger's lower panel.



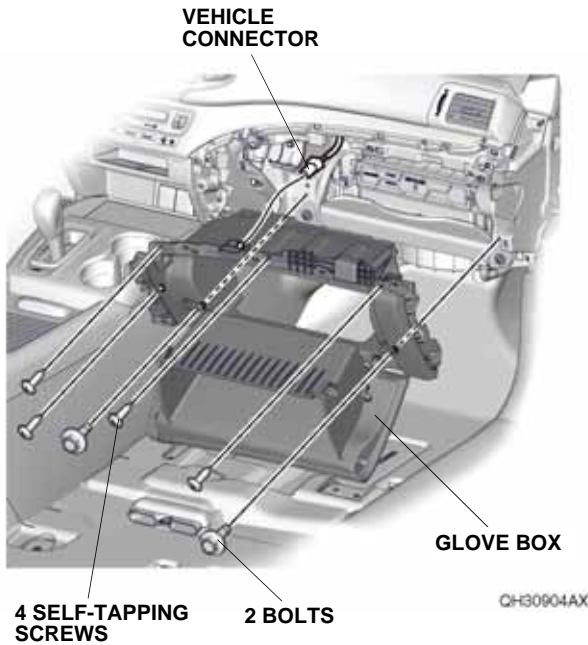
If the vehicle is equipped with the infotainment control unit, continue with step 6; otherwise, go to step 8.

## With infotainment control unit

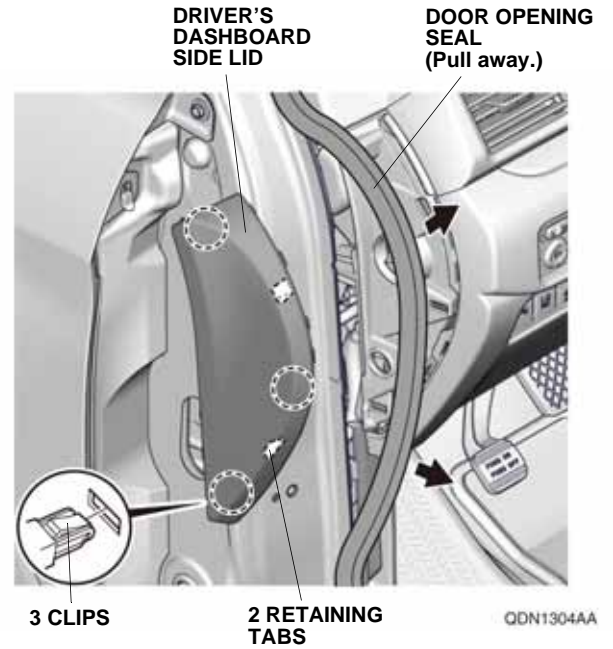
6. Release the glove box.



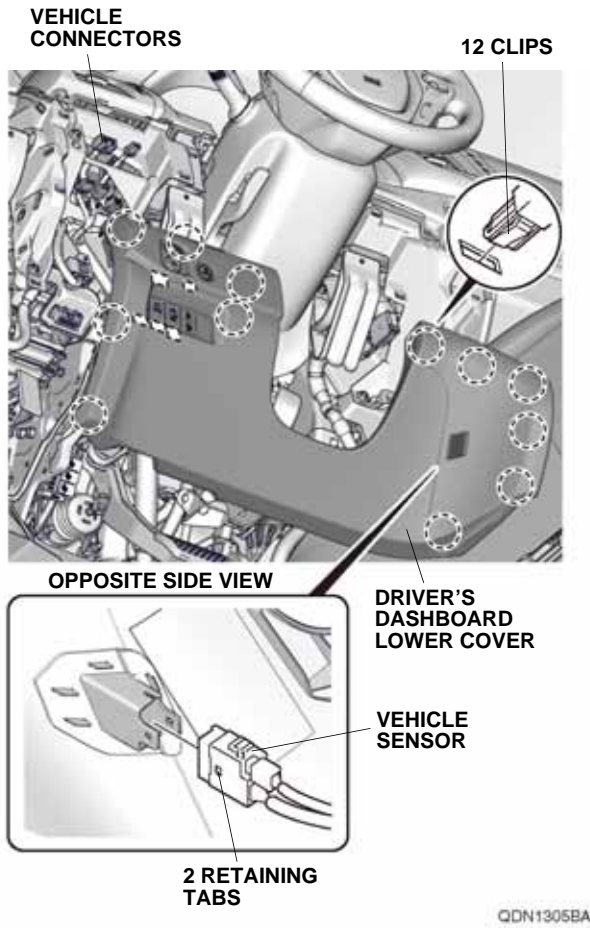
7. Remove the glove box, and unplug the vehicle connector.



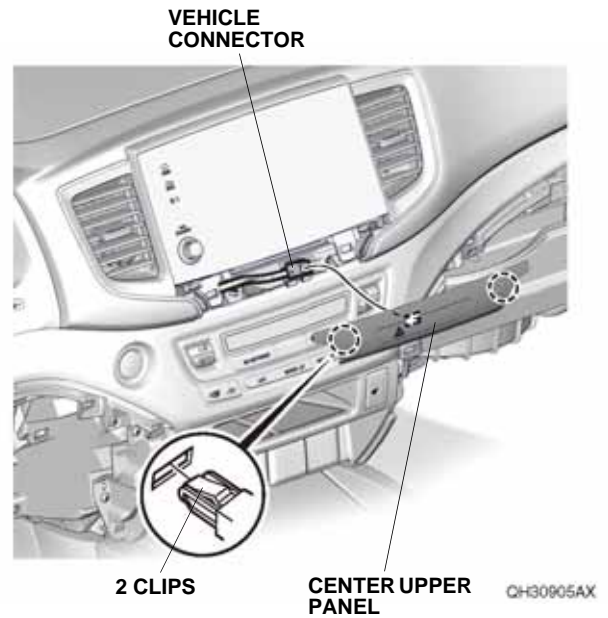
8. Pull away the door opening seal, and remove the driver's dashboard side lid.



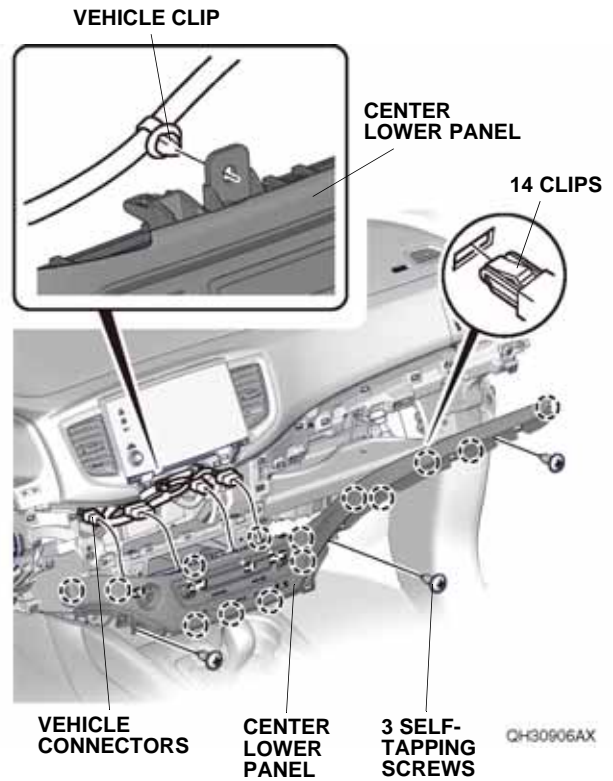
9. Remove the driver's dashboard lower cover, and unplug the vehicle connectors, and release the vehicle sensor.



10. Remove the center upper panel, and unplug the vehicle connector.



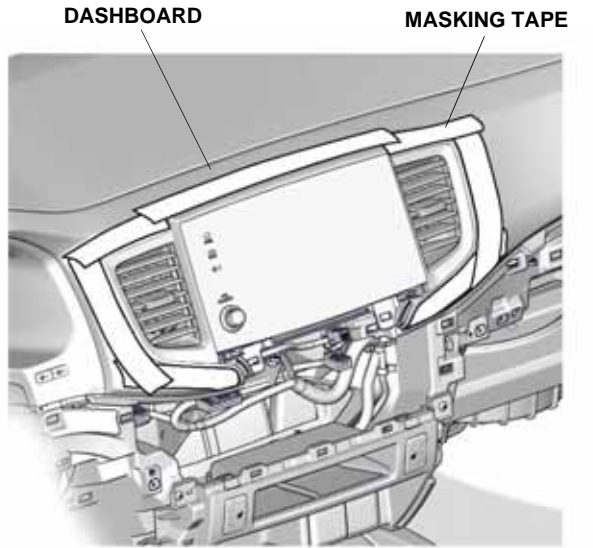
11. Remove the center lower panel. Unplug the vehicle connectors, and release the vehicle clip.



If the vehicle is equipped with the infotainment control unit, continue with step 12; otherwise, go to step 14.

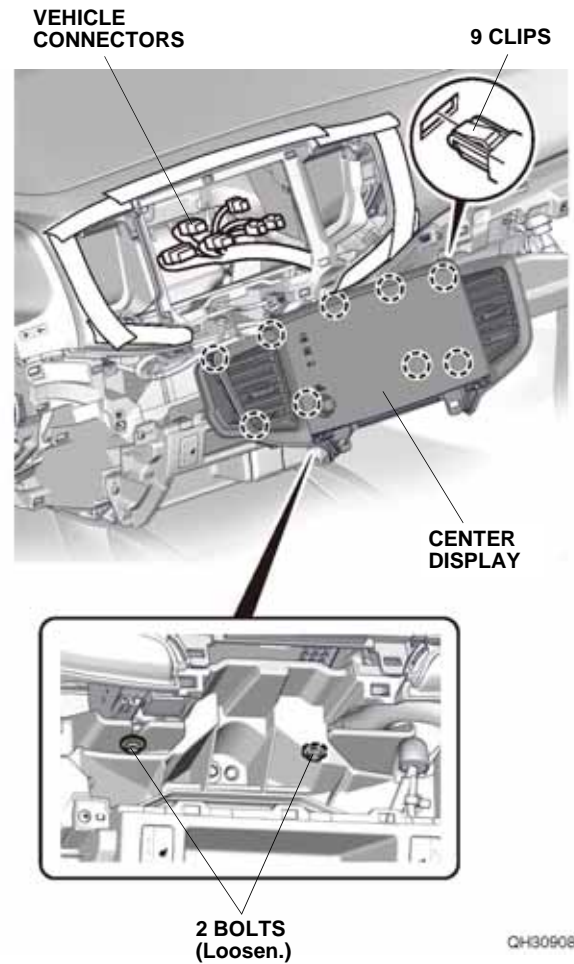
## With infotainment control unit

12. Apply masking tape to the dashboard.



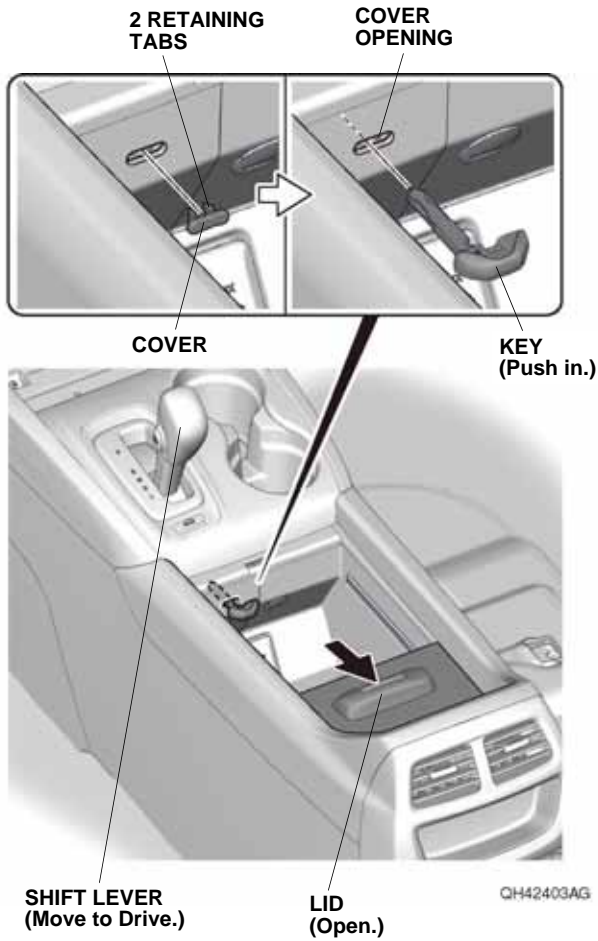
QH30907AX

13. Loosen the two bolts. Remove the center display, and unplug the vehicle connectors.



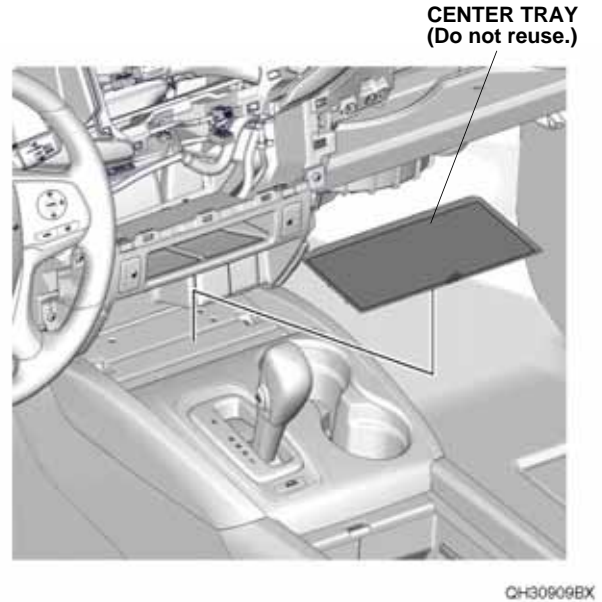
QH30908AX

14. Open the lid. Remove the cover, and insert the key into the cover opening. Push on the key, move the shift lever to Drive.

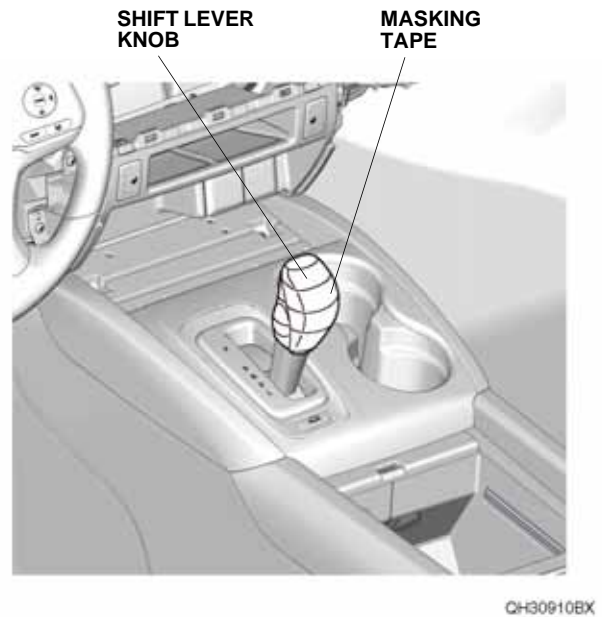


15. Remove the key, and install the cover.

16. Remove the center tray.

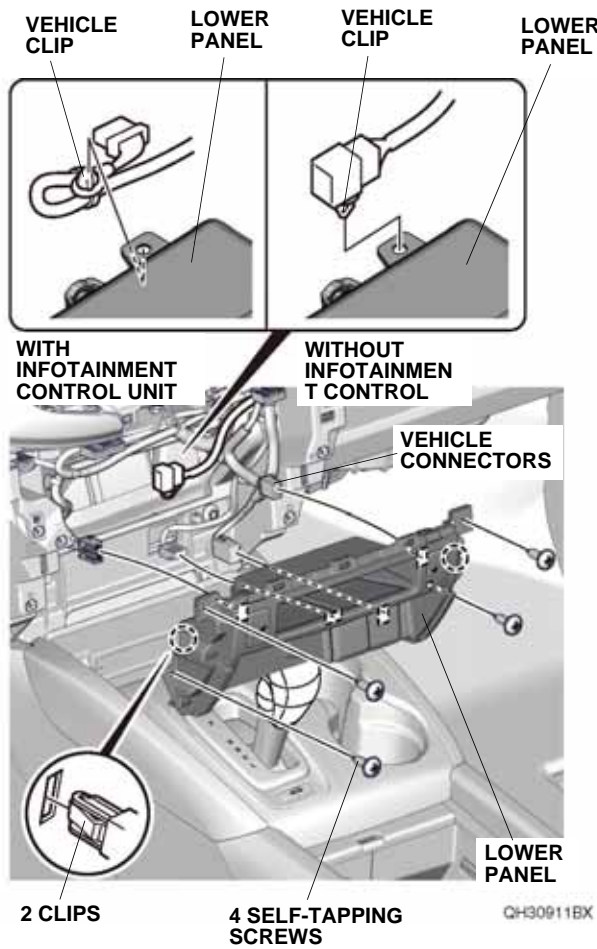


17. Apply masking tape to the shift lever knob.





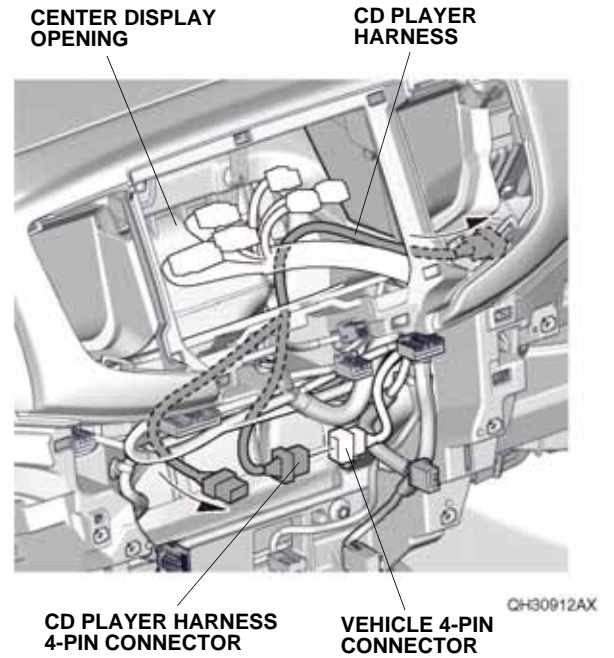
18. Remove the lower panel. Unplug the vehicle connectors, and release the vehicle clip.



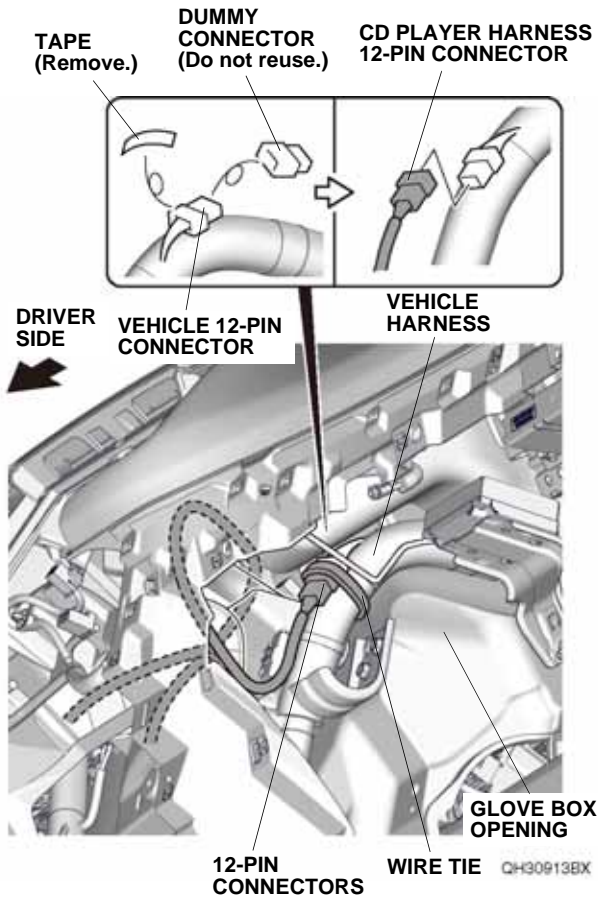
If the vehicle is equipped with the infotainment control unit, continue with step 19; otherwise, go to step 26.

### With infotainment control unit

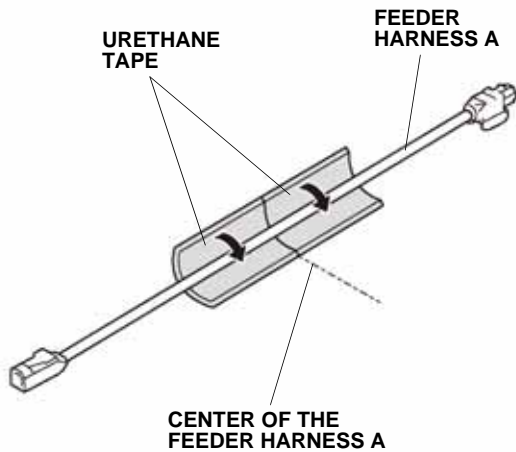
19. Route the CD player harness as shown, and plug the CD player harness 4-pin connector into the vehicle 4-pin connector.



20. Remove the tape to free the vehicle 12-pin connector, and remove the dummy connector. Plug the CD player harness 12-pin connector into the vehicle 12-pin connector, and secure it with one wire tie as shown.

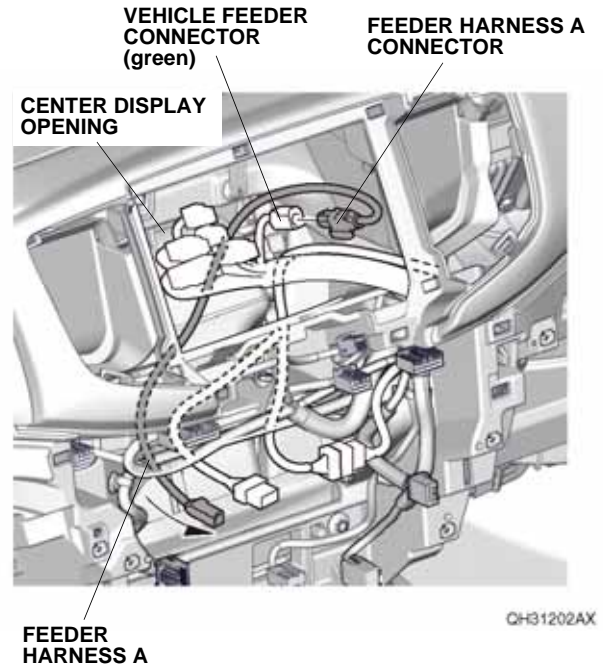


21. Wrap the two pieces of urethane tape around feeder harness A as shown. Repeat the same procedure for feeder harness B.

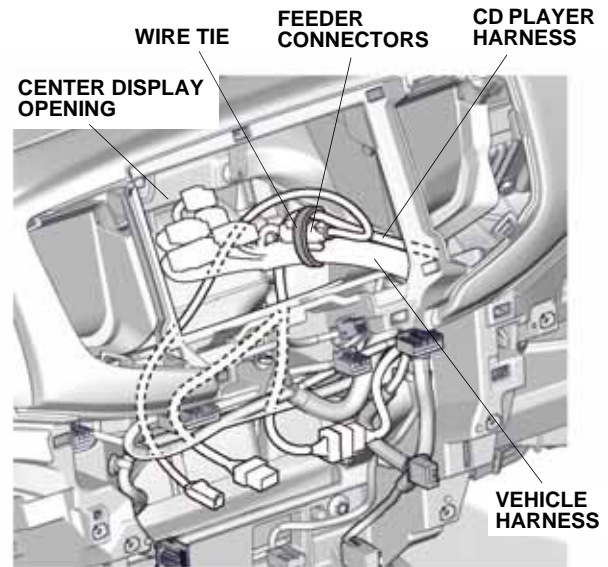


QH31201AX

22. Route the feeder harness A as shown. Plug the feeder harness A connector into the vehicle feeder connector.

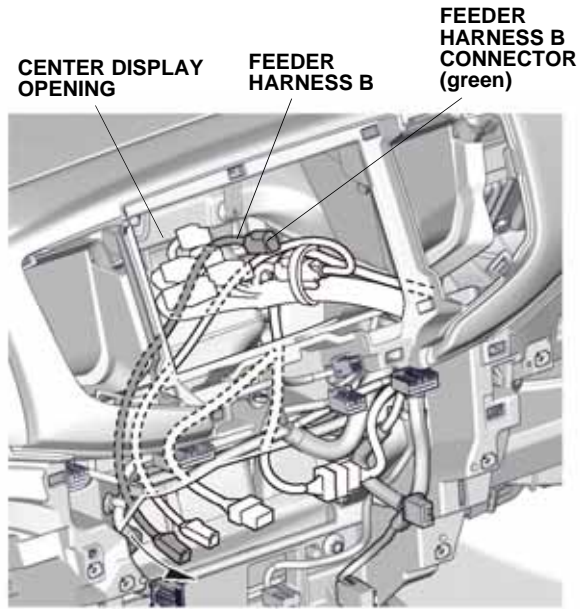


23. Secure the feeder connectors and CD player harness to the vehicle harness with one wire tie.



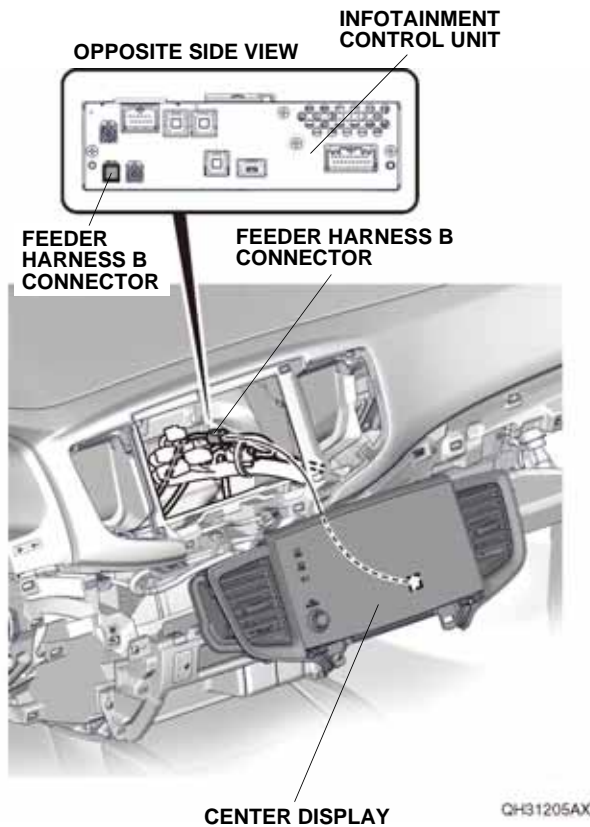
QH31203AX

24. Route the feeder harness B as shown.



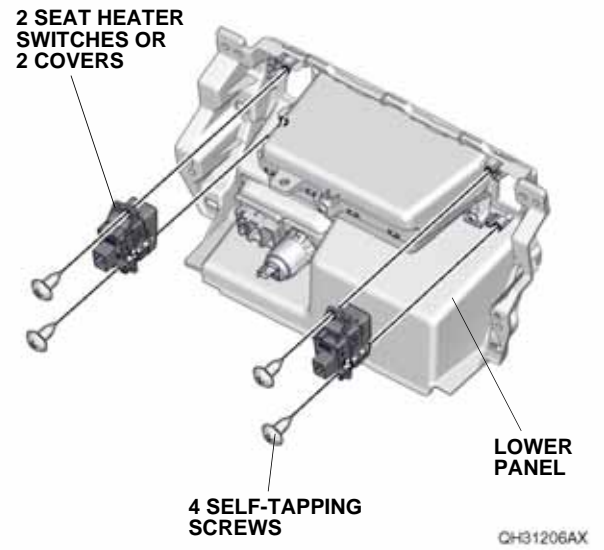
QH31204AX

25. Plug the feeder harness B connector into the infotainment control unit. Install the center display.

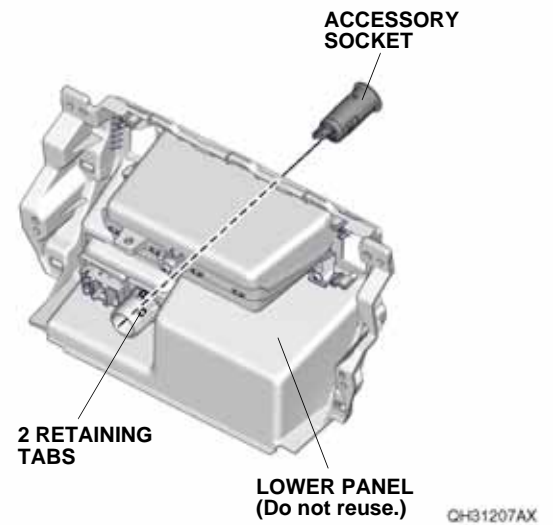


QH31205AX

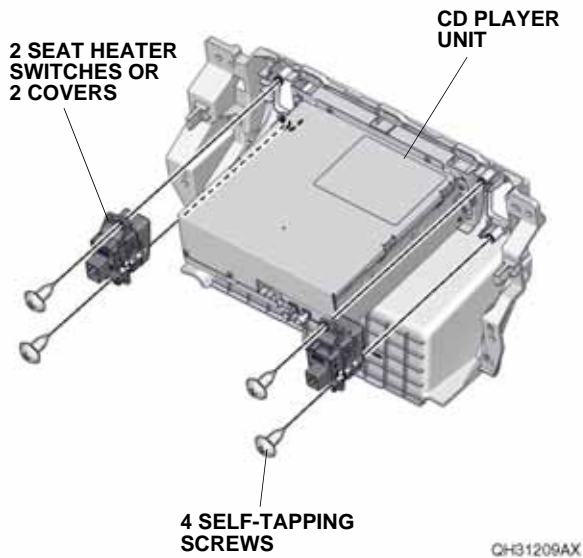
26. Remove the two seat heater switches or two covers.



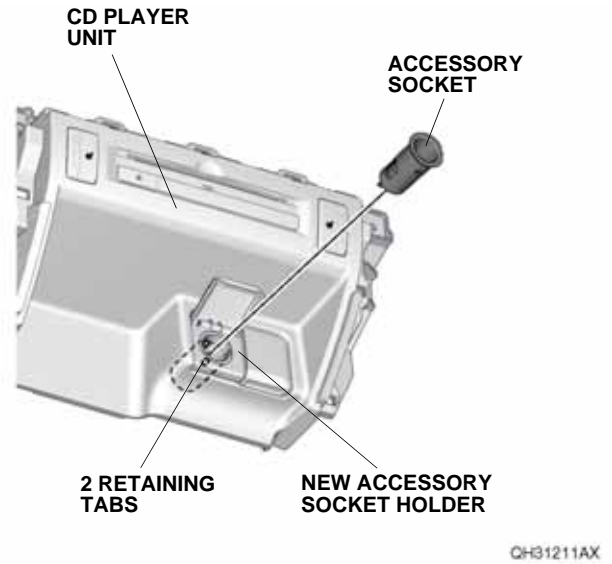
27. Remove the accessory socket.



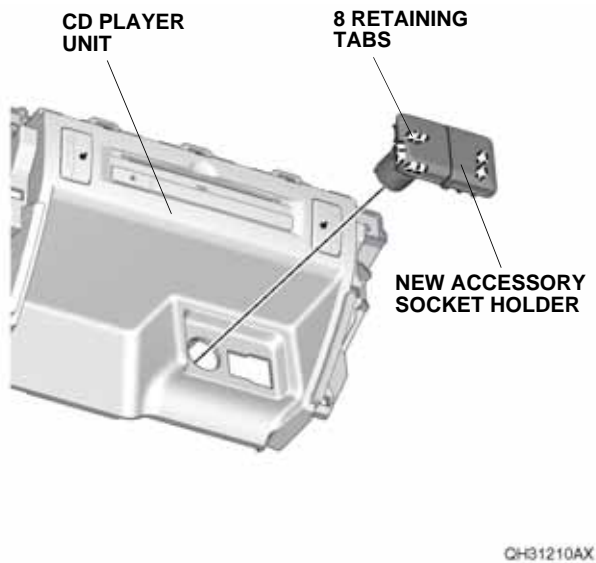
28. Install the two seat heater switches or two covers to the CD player unit with four self-tapping screws removed in step 26.



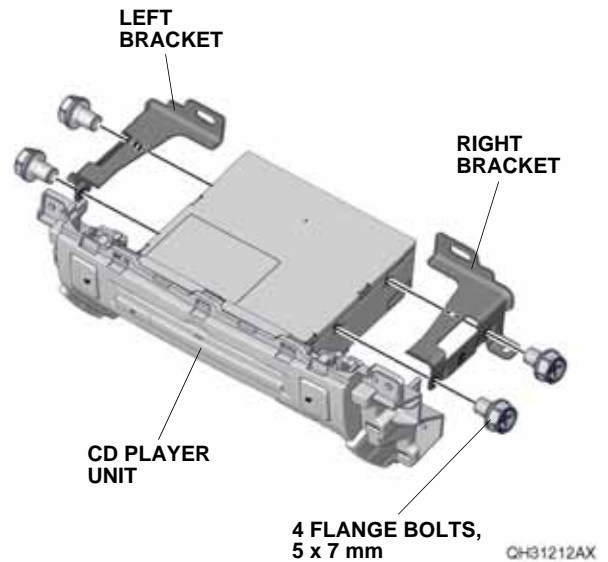
30. Install the accessory socket to the new accessory socket holder with two retaining tabs.



29. Install the new accessory socket holder to the CD player unit with eight retaining tabs.



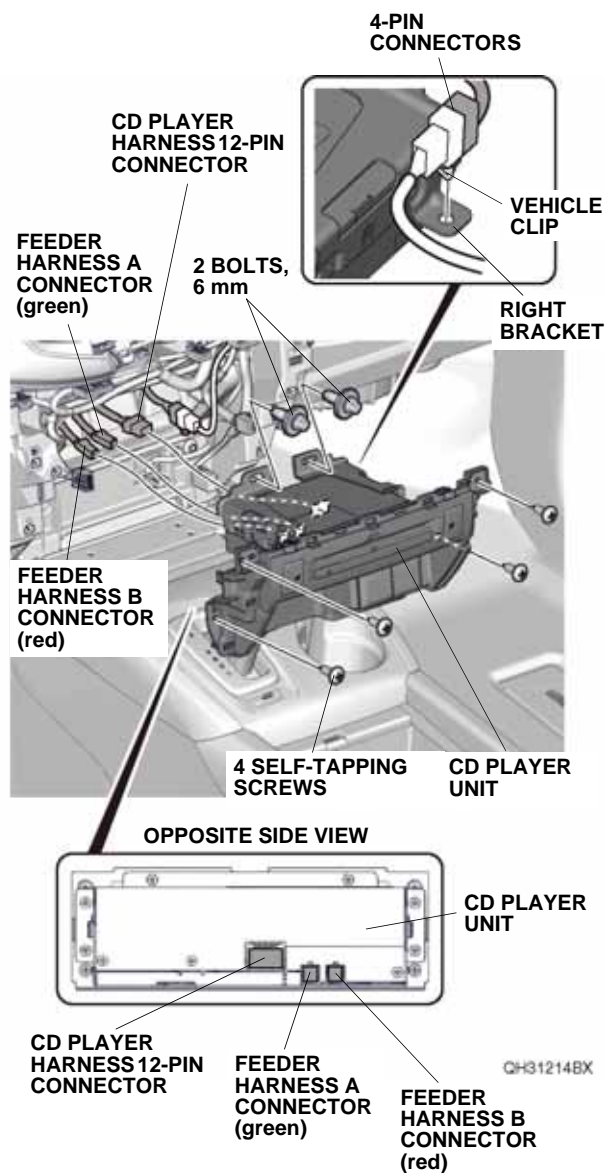
31. Install the left and right brackets to the CD player unit with the four 5 x 7 mm flange bolts.



If the vehicle is equipped with the infotainment control unit, continue with step 32; otherwise, go to step 34.

## With infotainment control unit

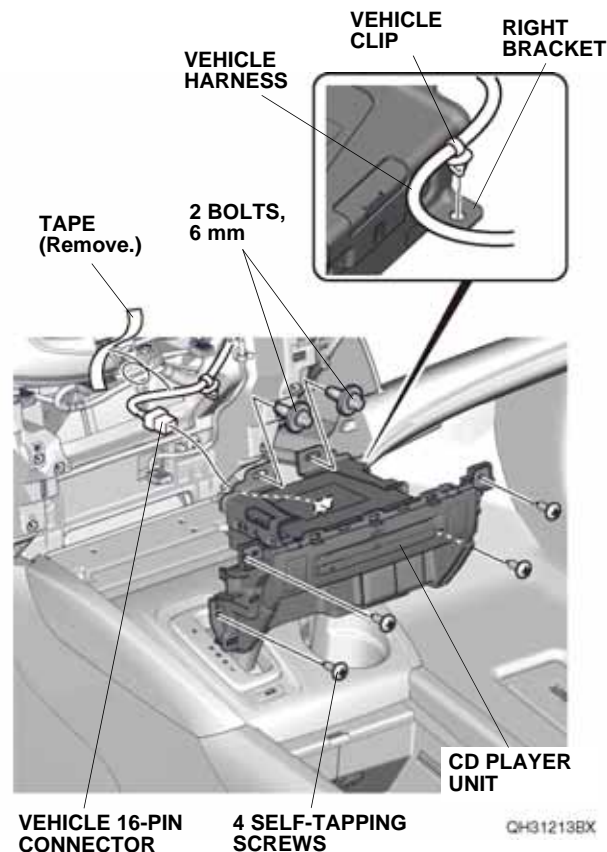
- Plug the CD player harness 12-pin connector, feeder harness A connector, and feeder harness B connector into the CD player unit, and secure the 4-pin connectors to the right bracket with clip on the vehicle 4-pin connector.



- Install the CD player unit to the dashboard with the four self-tapping screws removed in step 18 and two 6 mm bolts. Go to step 36.

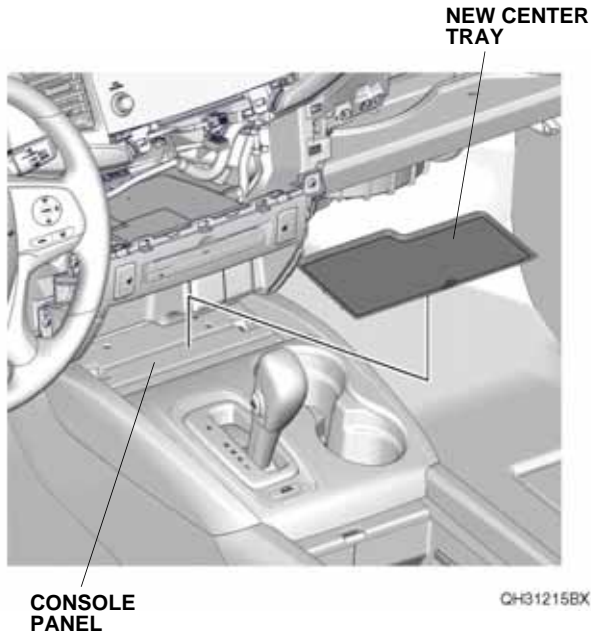
## Without infotainment control unit

- Remove the tape to free the vehicle 16-pin connector. Plug the vehicle 16-pin connector into the CD player unit, and secure the vehicle harness to the right bracket with clip on the vehicle harness.



- Install the CD player unit to the dashboard with four self-tapping screws removed in step 18 and two 6 mm bolts.

36. Install the new center tray to the console panel.



37. Check that all wire harnesses are routed properly and all connectors are plugged in.
38. Install all removed parts except for the front bulkhead cover and the intake air tube.
39. Connect the negative cable to the battery.
40. Install the front bulkhead cover and the intake air tube.
41. Press and hold the audio unit power button for 2 seconds to restore the audio and navi (if equipped) system functions.
42. Go to the **Dealer Diagnostics** screen: Press and hold the volume knob, Day/Night icon, and Home at the same time. The **Dealer Diagnostics** screen will appear.
43. Select **DETAIL INFORMATION & SETTING**.
44. Scroll down and select **HARDWARE AUTO-DETECT**. A **Loading** screen will appear.
45. Once the system detects the CD player, it will turn green. Then, press **APPLY**.
46. The **Align System Application from Factory Setting information is done** pop-up will appear. Press **OK**.
47. Next, The system will be restarted. Is this OK? pop-up will appear, select **Yes**.
48. After the system restarts, it will return to the Home screen. Select **All Apps**.
49. From the **All Apps** screen, locate **CD** and select it in the **Show on Home** column. It will then appear on the Home screen.
50. Set the clock on vehicles without navigation.
51. If necessary, restore the system back to normal operation as described in the service information.

#### **Check the Operation of the CD Player Unit**

52. Make sure the CD player unit works as described in the vehicle owner's manual.