



## INSTALLATION INSTRUCTIONS

Accessory

TRAILER HARNESS  
P/N 08L91-TGS-100

Application

2019 PASSPORT

Publications No.

VERSION 1

Issue Date

JAN 2019

### PARTS LIST

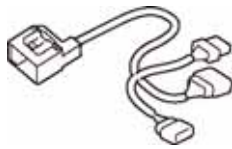
Control unit bracket



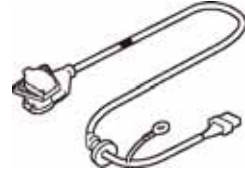
Fuse box bracket



Control unit harness



Socket harness



Control unit



2 Blade fuses, 20A  
(Contained in the subharness kit.)



30A Block fuse



2 Relays



3 Wire ties  
(May not be used)



Wire tie with clip



2 Flange bolts, 6 x 16 mm



6 x 19 mm Shoulder bolt



Ground bolt



2 Flange nuts



2 Aluminum tapes



Subharness kit



Accessory User's Information Manual



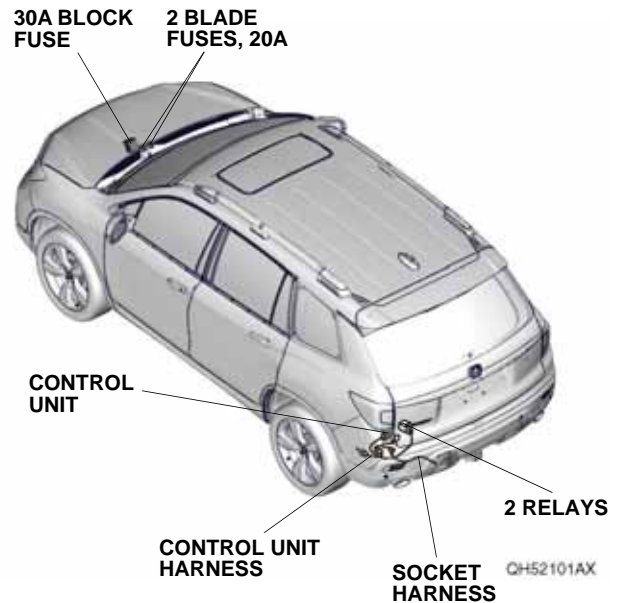
## TOOLS AND SUPPLIES REQUIRED

10 mm Open end wrench  
Ratchet  
Phillips screwdriver  
8 mm and 10 mm Sockets  
File  
Utility knife  
Diagonal cutters  
Isopropyl alcohol  
Shop towel  
5 mm Hex wrench  
Scissors  
Masking tape

*The following tools are available through the Honda Tool and Equipment Program. On the iN, click on Service > Service Bay > Tool and Equipment Program, then enter the number under "Search." Or, call 888-424-6857.*

- Trim Tool Set (T/N SOJATP2014)
- Plastic Trim Tool (T/N SILTRIMTL10)

## Illustration of the Trailer Harness on the Vehicle



## INSTALLATION

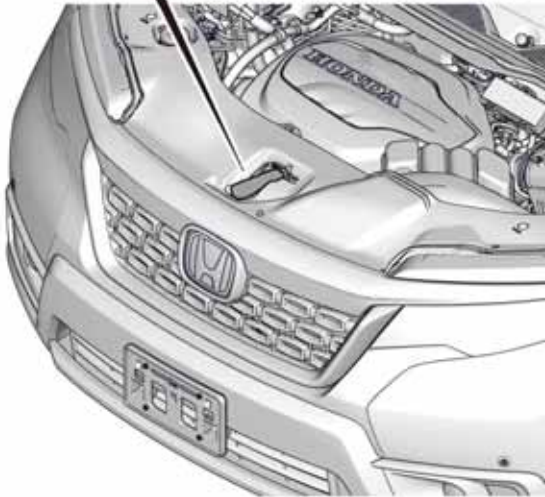
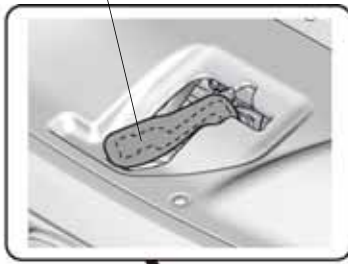
**Customer Information:** The information in this installation instruction is intended for use only by skilled technicians who have the proper tools, equipment, and training to correctly and safely add equipment to your vehicle. These procedures should not be attempted by "do-it-yourselfers."

### NOTE:

- If you are also installing the trailer hitch, install it after you install the trailer hitch harness.
  - If you are also installing the backup sensor, rear welcome lights, or hands-free access power tailgate, install them before you install the trailer hitch harness.
1. Open the tailgate.

2. Disconnect the negative cable from the battery:
  - Wrap a shop towel around the hood latch.

**HOOD LATCH**  
(Wrap with a shop towel.)

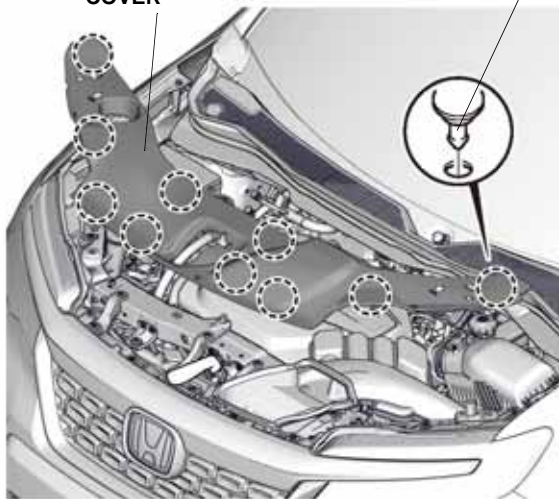


QH50702AB

- Remove the front bulkhead cover.

**FRONT BULKHEAD COVER**

**10 CLIPS**

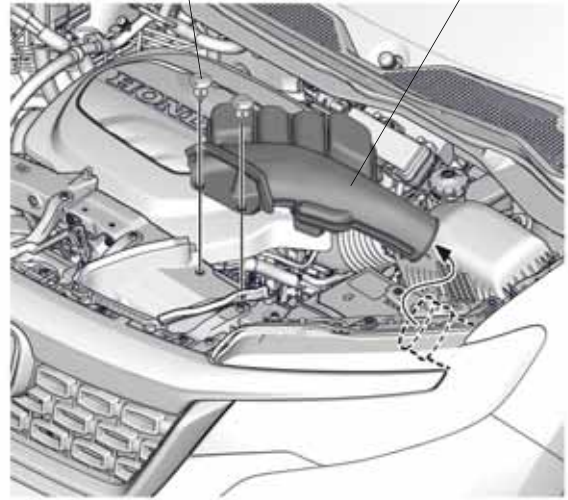


QH50703AB

- Remove the intake air tube.
- Disconnect the negative cable from the battery.

**2 CLIPS**

**INTAKE AIR TUBE**



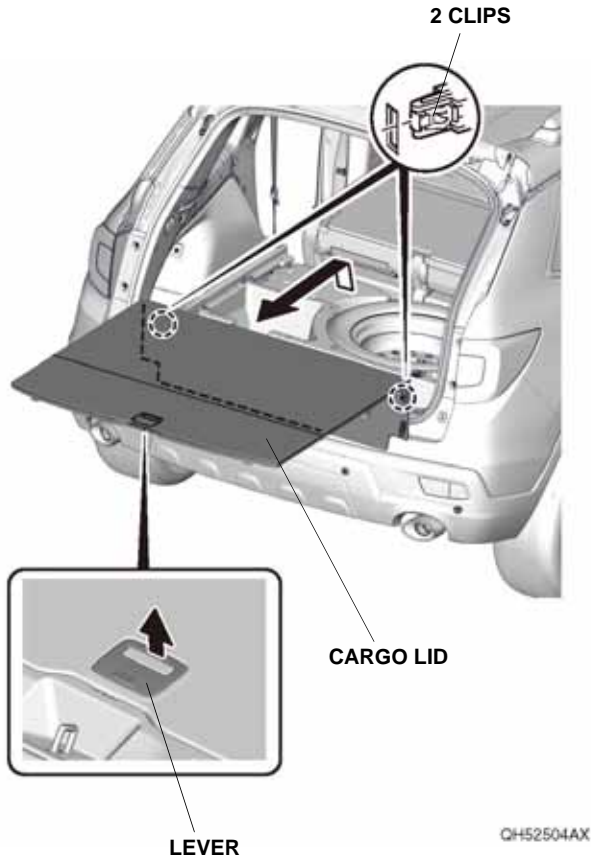
QH50704AB

3. Fold down the left and right rear seats, and move them forward.

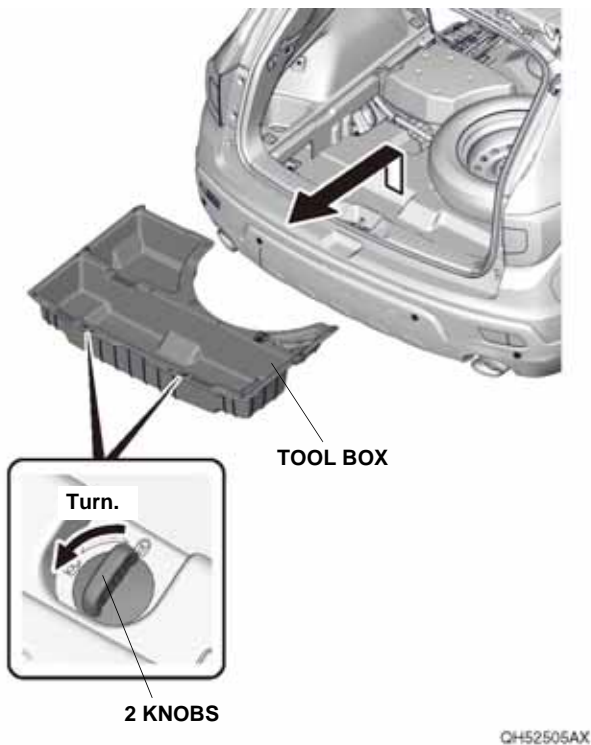


QH52502AX

- Remove the cargo lid.



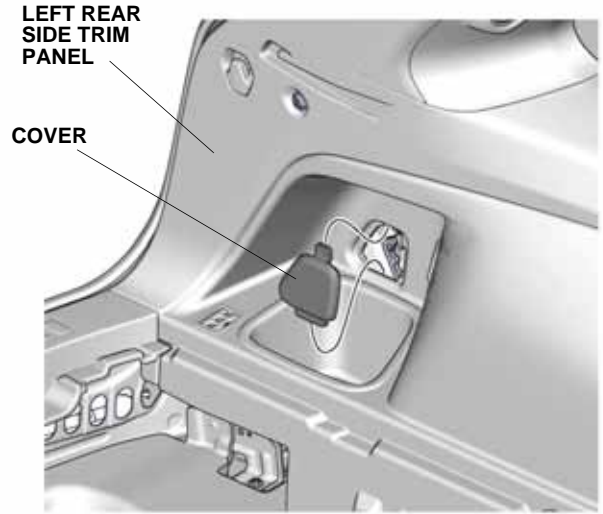
- Remove the tool box.



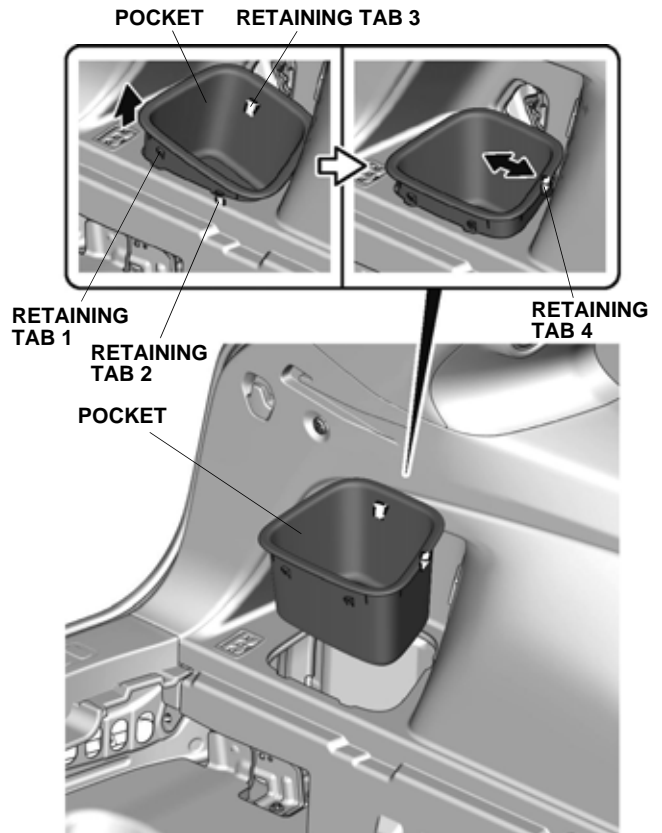
If the vehicle is equipped with accessory rear welcome lights, accessory backup sensors or accessory Hands-Free Access Power Tailgate, go to step 8; otherwise continue with step 6.

### Without other accessories

- Remove the cover.

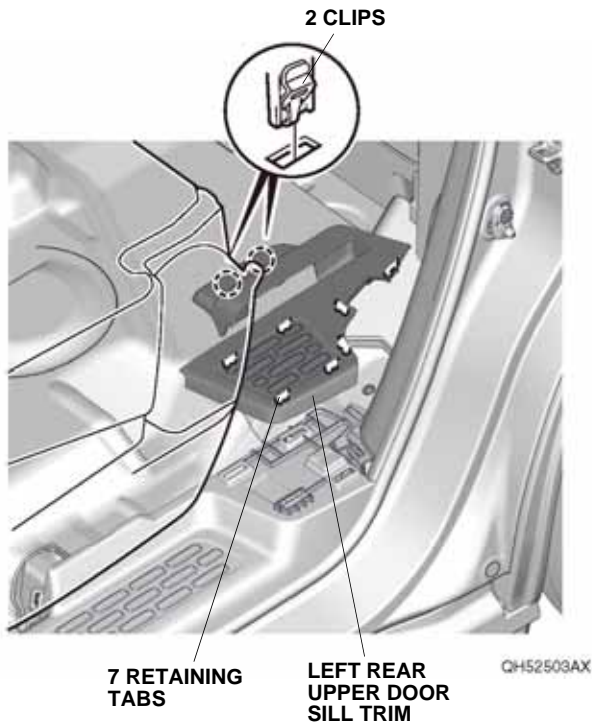


- To remove the pocket, release retaining tabs 1, 2, and 3. Then, rock the pocket back and forth to release retaining tab 4. Go to step 15.

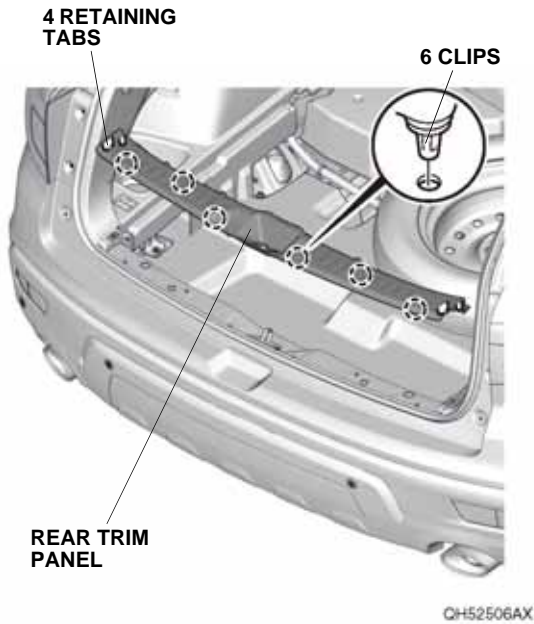


**With accessory rear welcome lights, accessory backup sensors or accessory Hands-Free Access Power Tailgate**

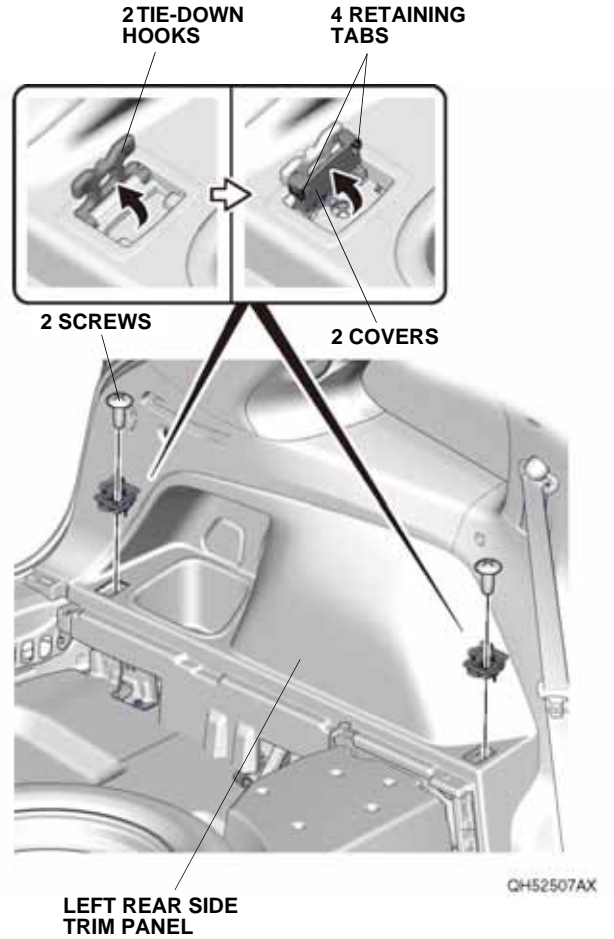
8. Remove the left rear upper door sill trim.



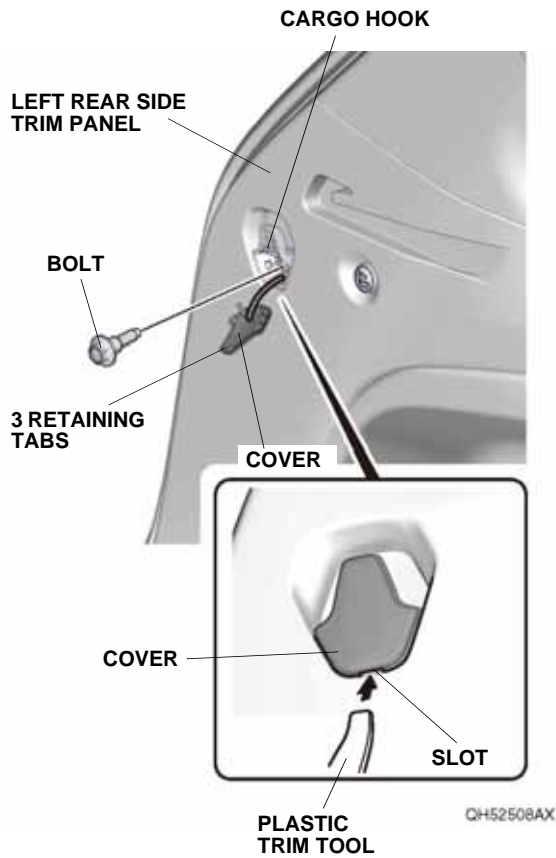
9. Remove the rear trim panel.



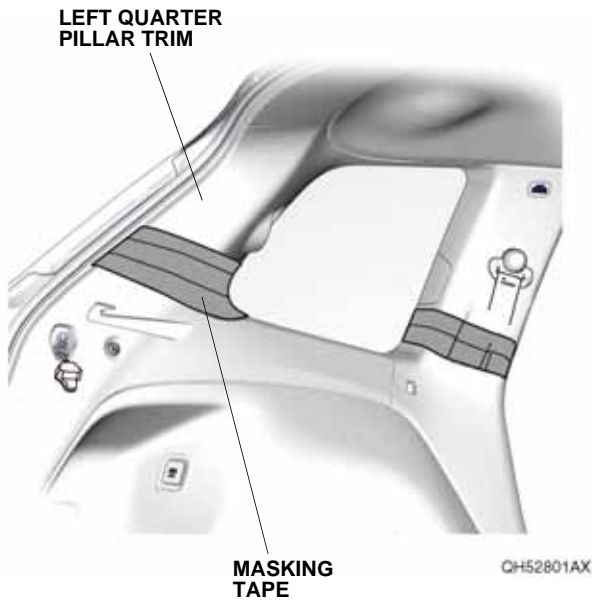
10. Remove the two tie-down hooks.



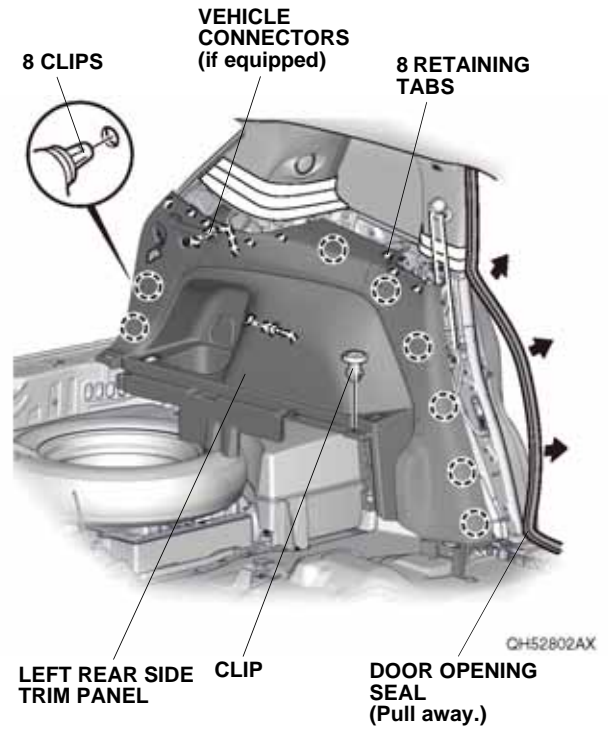
11. Using a plastic trim tool, pull the cover, and remove the cargo hook.



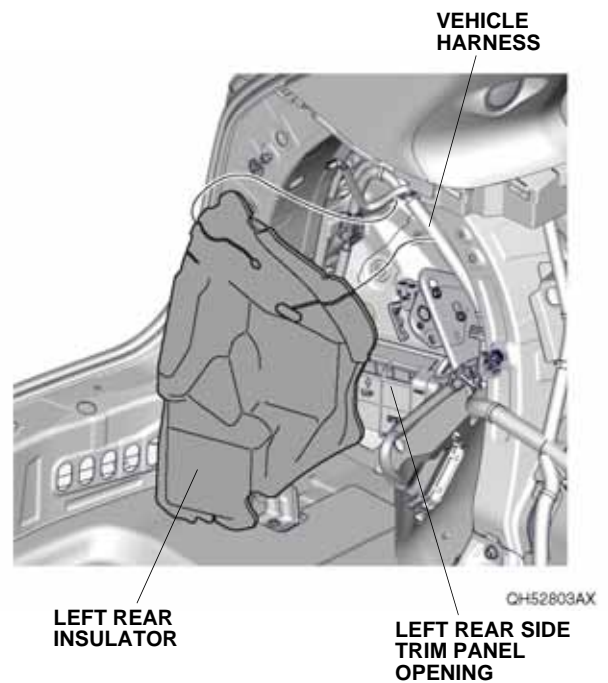
12. Apply masking tape to the left quarter pillar trim as shown.



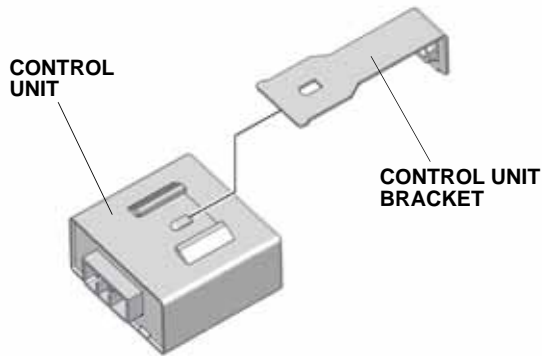
13. Pull away the door opening seal from around the left rear side trim panel. Remove the left rear side trim panel, and unplug the vehicle connectors (if equipped).



14. Release the vehicle harness to remove the left rear insulator.

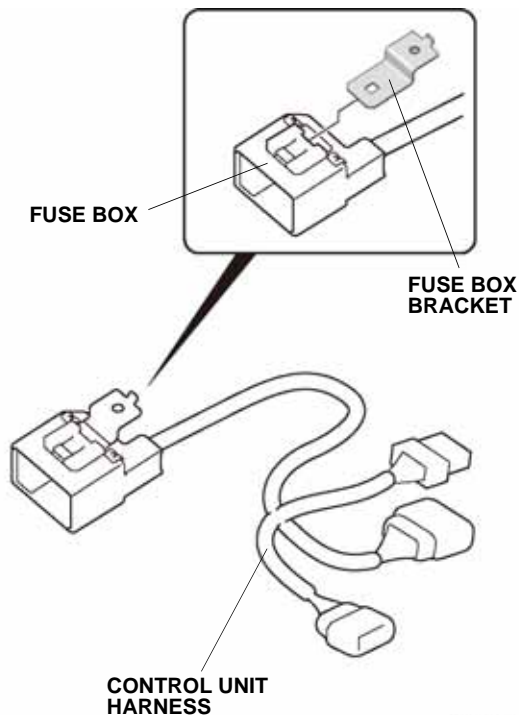


15. Install the control unit bracket to the control unit.  
NOTE: Make sure to install bracket in the correct orientation.



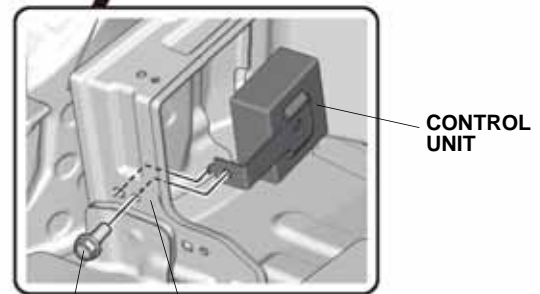
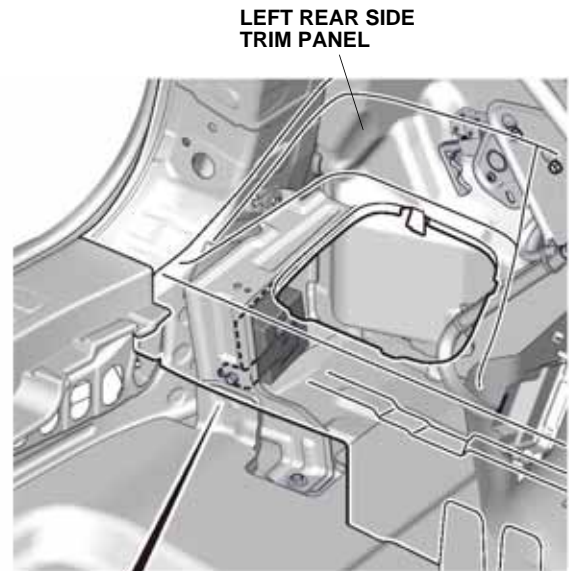
QH52103AX

16. Install the fuse box bracket to the fuse box on the control unit harness.  
NOTE: Make sure to install bracket in the correct orientation.



QH52104BX

17. Install the control unit to the vehicle bracket with one 6 x 16 mm flange bolt.



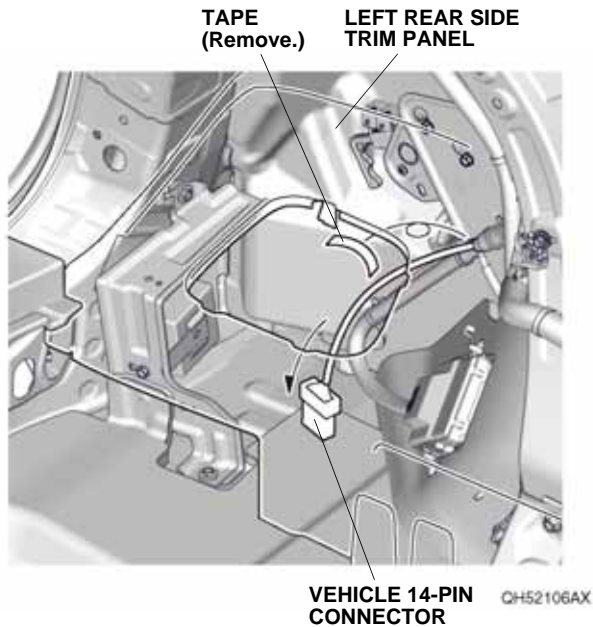
6 x 16 mm  
FLANGE  
BOLT

QH52105AX

If the vehicle is equipped with accessory rear welcome lights or accessory backup sensors, go to step 20; if the vehicle is equipped with accessory Hands-Free Access Power Tailgate, go to step 19; otherwise, continue with step 18.

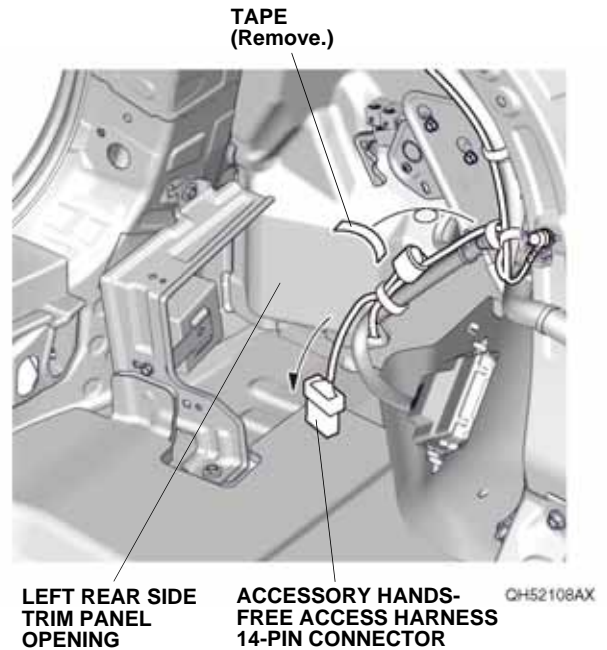
## Without other accessories

18. Remove the tape to free the vehicle 14-pin connector as shown. Go to step 21.



## With accessory Hands-Free Access Power Tailgate

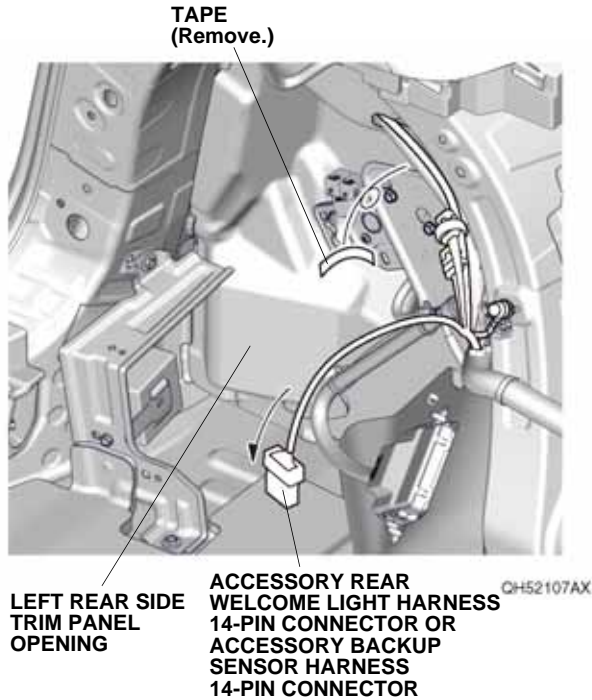
19. Remove the tape to free the accessory hands-free access harness 14-pin connector as shown. Go to step 21.



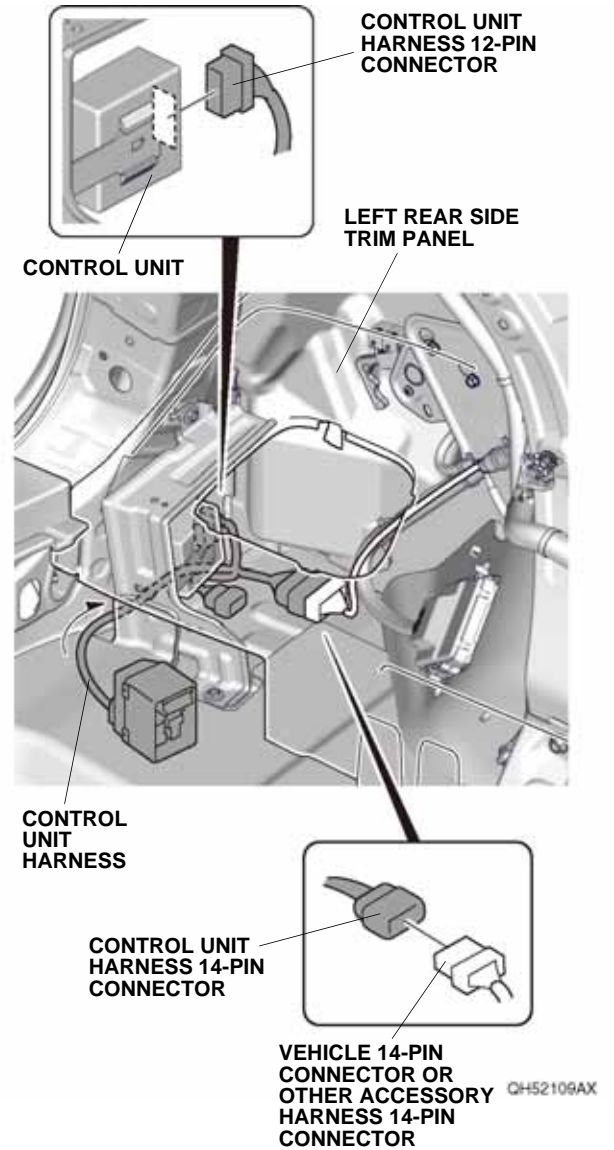


## With accessory rear welcome lights or accessory backup sensors

20. Remove the tape to free the accessory rear welcome light harness 14-pin connector or accessory backup sensor harness 14-pin connector as shown.

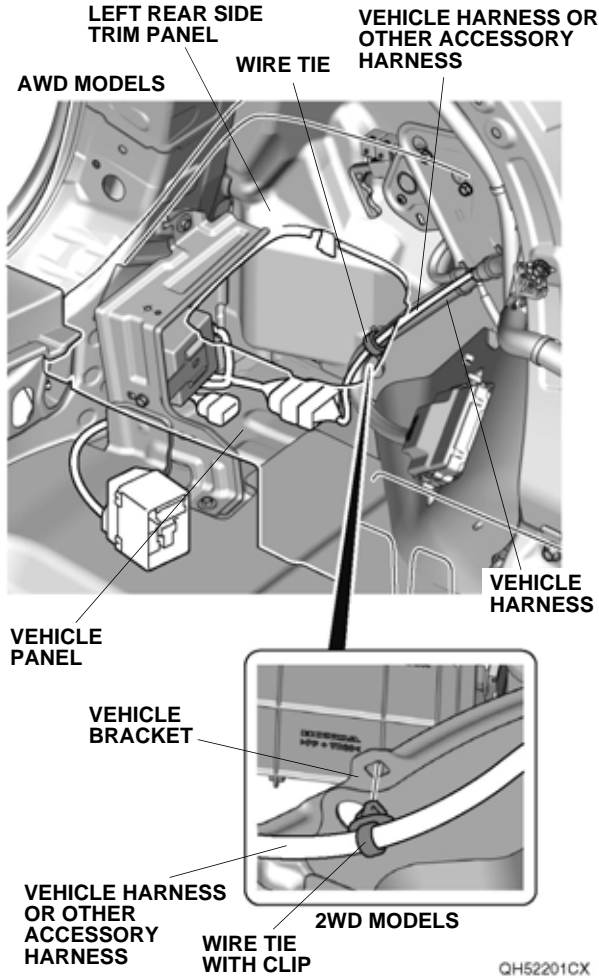


21. Route the control unit harness as shown.

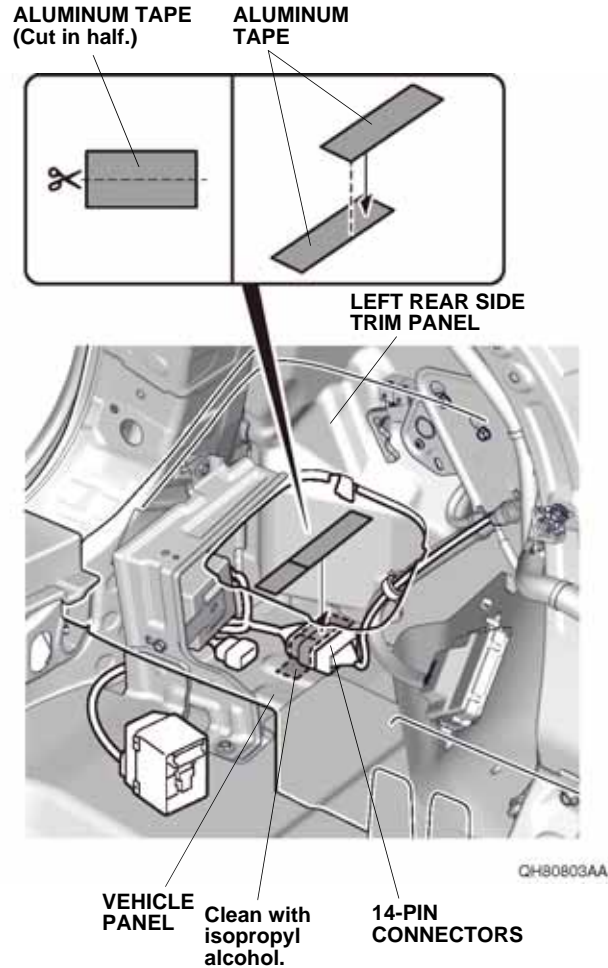


22. Plug the control unit harness 12-pin connector into the control unit. Then, plug the vehicle 14-pin connector or other accessory harness 14-pin connector into the control unit harness 14-pin connector.

23. If the vehicle is AWD model, secure the vehicle harness or other accessory harness to the vehicle harness with one wire tie. If the vehicle is 2WD model, secure the vehicle harness or other accessory harness to the vehicle bracket with one wire tie with clip as shown.

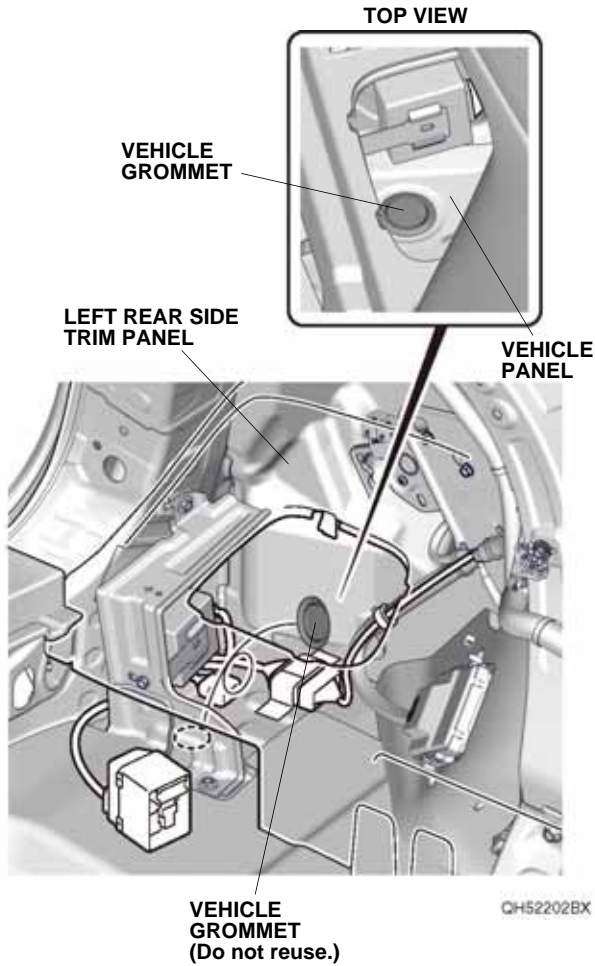


24. Using isopropyl alcohol on a shop towel, thoroughly clean the vehicle panel where the aluminum tape will attach.



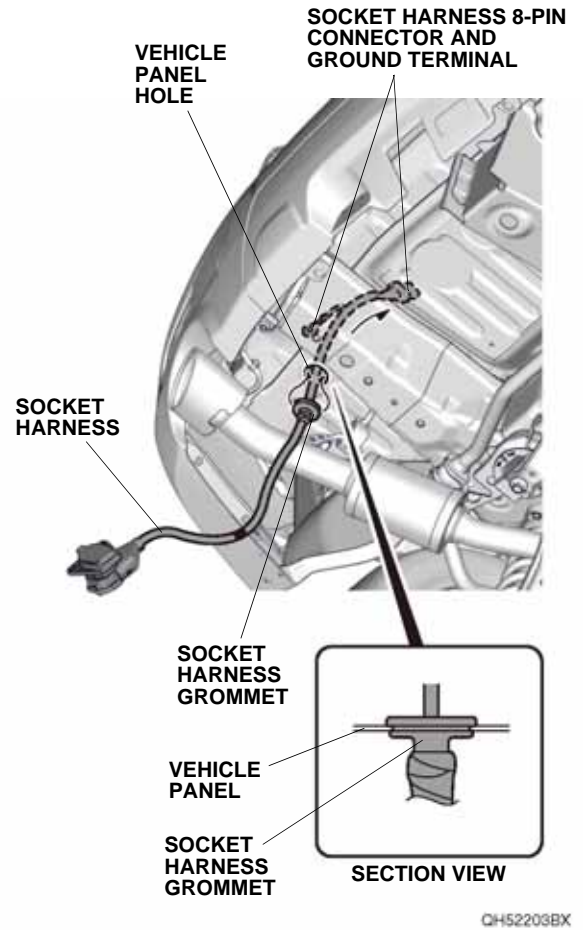
25. Using scissors, cut one piece of aluminum tape in half, and secure the 14-pin connectors to the vehicle panel with two pieces of aluminum tape as shown.

26. Remove the vehicle grommet from the vehicle panel.



If the vehicle is equipped with the trailer hitch, continue with step 27; otherwise, go to step 28.

27. Refer to the installation instructions of the trailer hitch, remove the trailer hitch.

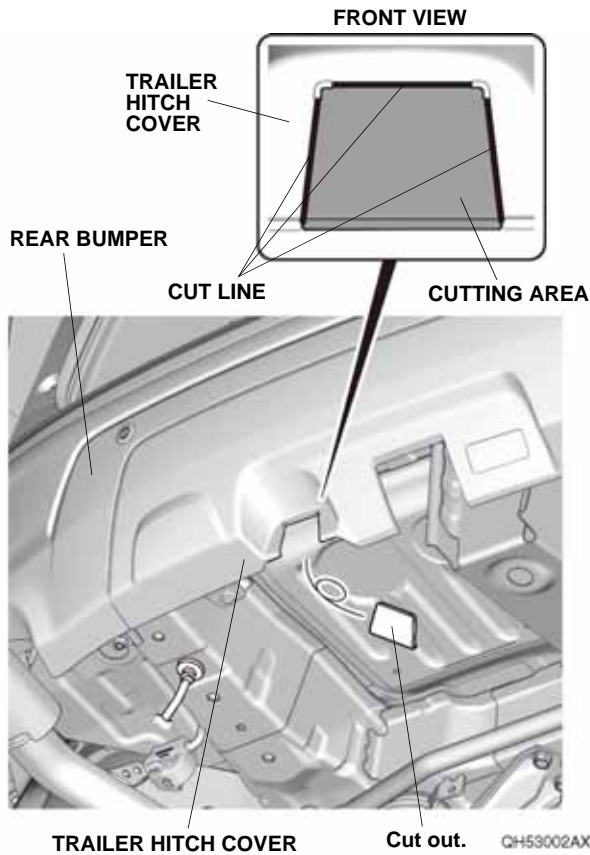


28. Route the socket harness 8-pin connector and socket harness ground terminal through the vehicle panel hole, and install the socket harness grommet into the vehicle panel hole.

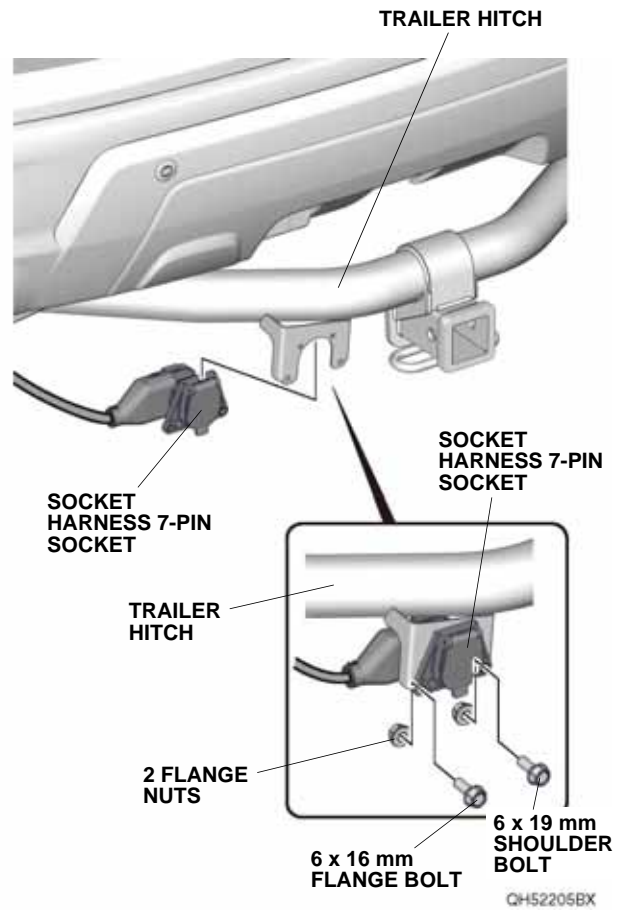
NOTE:

- Install the socket harness by holding the grommet.
- Make sure the grommet is seated properly.

29. Using a utility knife, cut out the trailer hitch cover as shown. Remove any burrs.

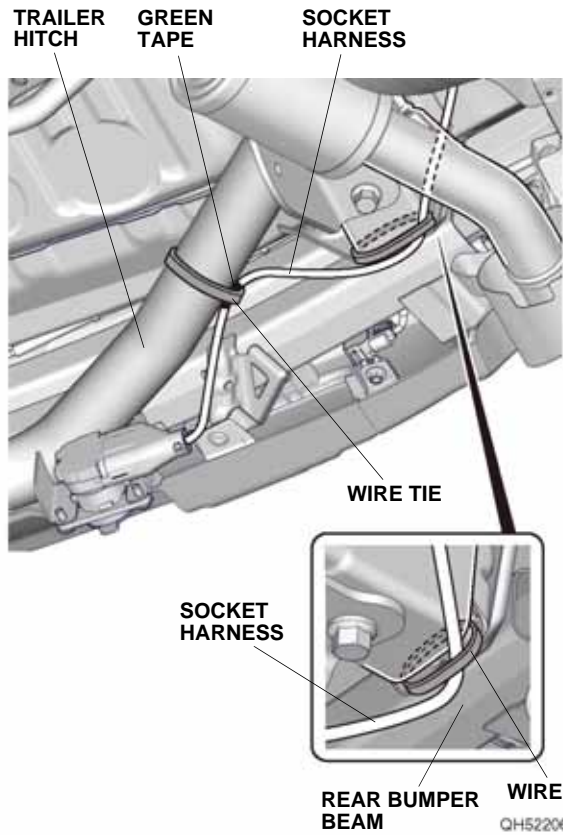


30. With the help of an assistant, bring the trailer hitch close to the vehicle, install the socket harness 7-pin socket to the trailer hitch with one 6 x 16 mm flange bolt, one 6 x 19 mm shoulder bolt, and two flange nuts.



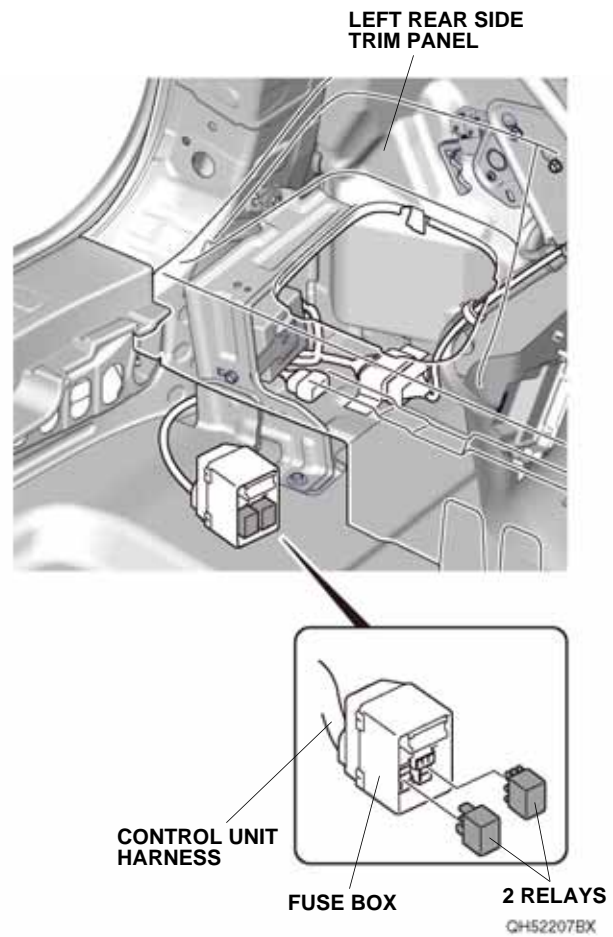
31. Refer to the installation instructions of the trailer hitch, install the trailer hitch.

32. Secure the green tape on the socket harness to the trailer hitch with one wire tie.

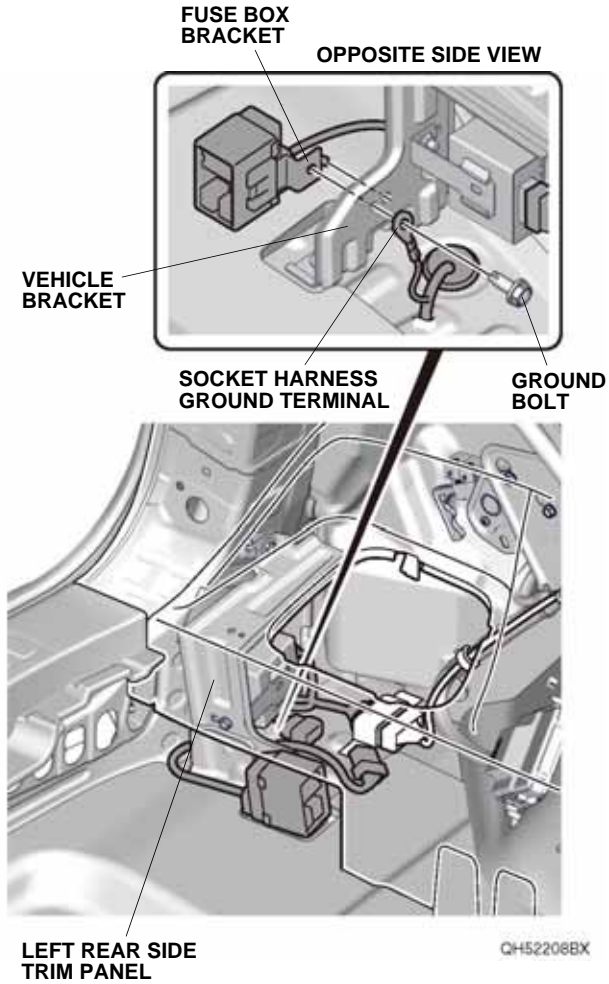


33. Secure the socket harness to the rear bumper beam with one wire tie as shown.

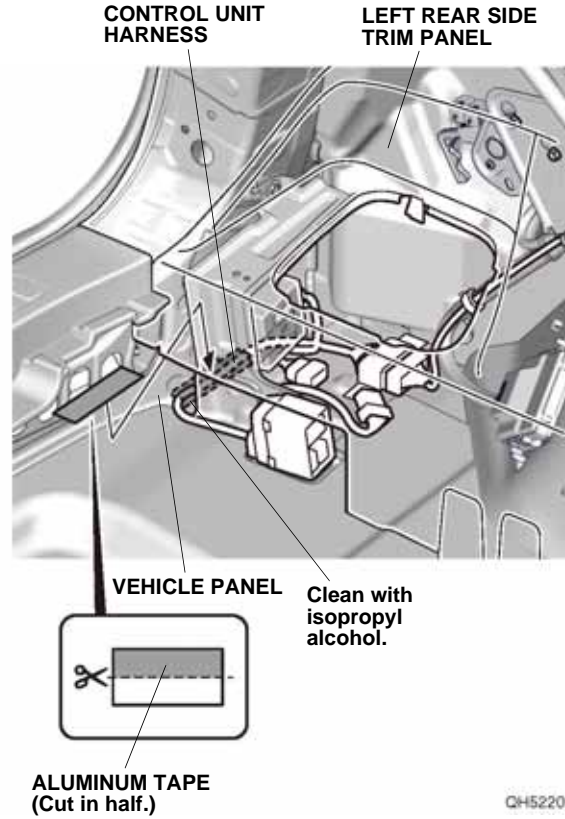
34. Install the two relays into the fuse box on the control unit harness.



35. Secure the socket harness ground terminal and fuse box bracket to the vehicle bracket with one ground bolt.

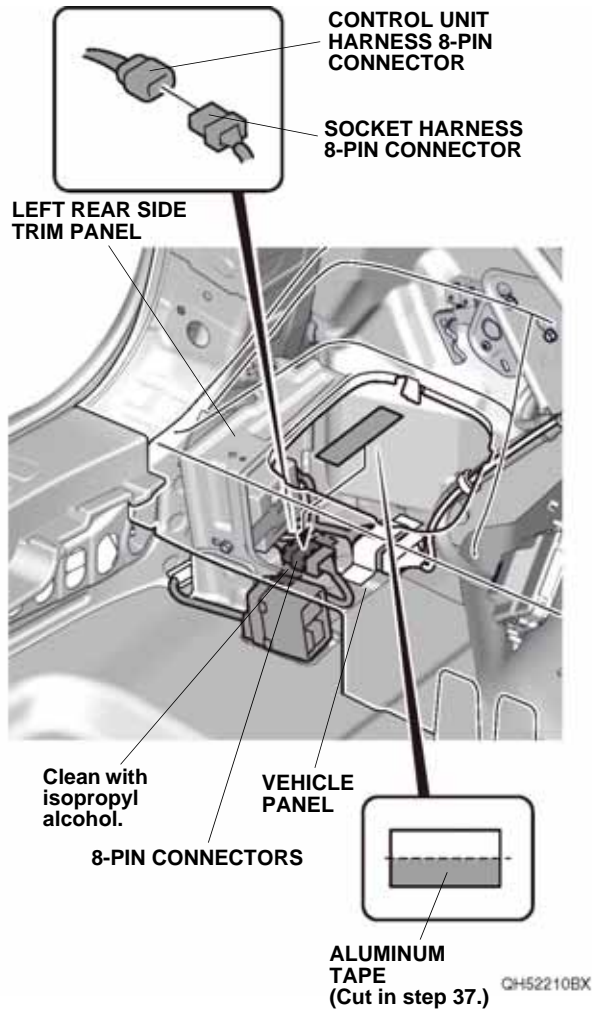


36. Using isopropyl alcohol on a shop towel, thoroughly clean the vehicle panel where the aluminum tape will attach.



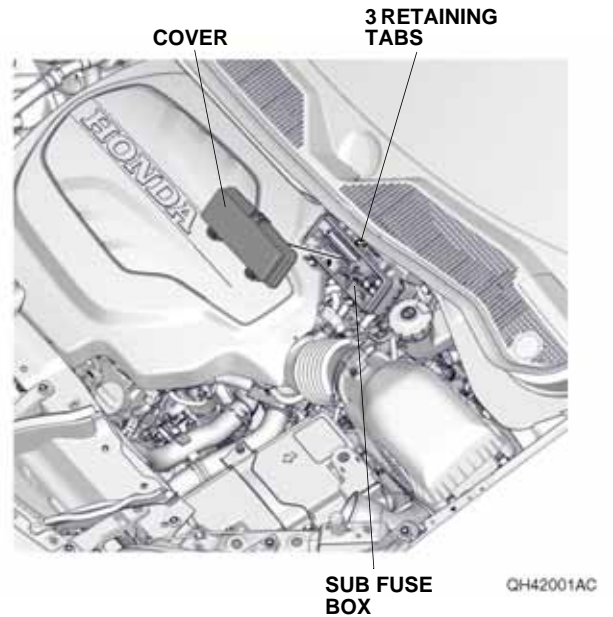
37. Using scissors, cut one piece of aluminum tape in half, and secure the control unit harness to the vehicle panel with only one piece of aluminum tape.

38. Plug the socket harness 8-pin connector into the control unit harness 8-pin connector.

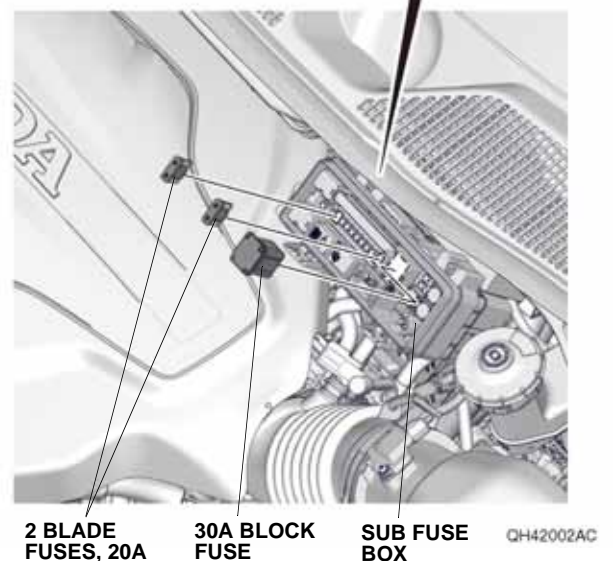
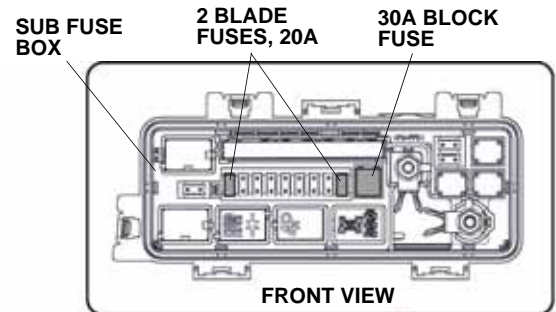


39. Using isopropyl alcohol on a shop towel, thoroughly clean the vehicle panel where the aluminum tape will attach.
40. Secure the 8-pin connectors to the vehicle panel with one piece of aluminum tape cut in step 37.

41. In the engine compartment, remove the cover from the sub fuse box.



42. Plug the two 20A blade fuses and the 30A block fuse into the sub fuse box.



43. Check that all wire harnesses are routed properly and all connectors are plugged in.
44. Install all removed parts except for the front bulkhead cover and the intake air tube.
45. Connect the negative cable to the battery.
46. Install the front bulkhead cover and the intake air tube.
47. Press and hold the audio unit power button for 2 seconds to restore the audio and navi (if equipped) system functions.
48. Set the clock on vehicles without navigation.
49. If necessary, restore the systems back to normal operation as described in the service information.

### **Check the Operation of the Trailer Harness**

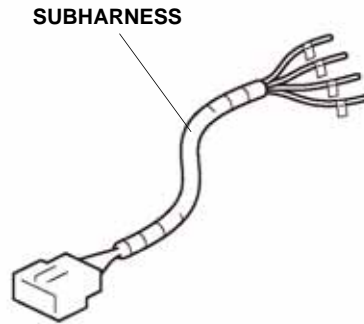
50. Refer to the “**TRAILER HARNESS TESTER**”, and perform the “Trailer Harness Circuit Check”.



Give a copy of this page to your customer.

## How to Handle Subharness

This subharness is designed for use with the installation of an electric brake controller. Refer to the vehicle Owner's Manual for the detailed information about handling this subharness.



QBN0730AH