



Hands-Free Access Power Tailgate  
User's Information Manual

PASSPORT

## Introduction

---

**Thank you for purchasing this Honda accessory.**

**Please read this manual carefully before using the hands-free access power tailgate. Keep it in the glove box for future reference.**

This product is designed to be used exclusively on a Honda Passport. Honda is not responsible if the product is used for anything other than its intended purpose.

This manual should be considered a permanent part of the vehicle. It should remain with the vehicle at all times and stay with the vehicle when sold.

## A Few Words About Safety

Your safety, and the safety of others, is very important. Operating your vehicle's accessory safely is an important responsibility.

To help you make informed decisions about safety, we have provided operating procedures and other information on labels in the vehicle owner's manual and in this manual. This information alerts you to potential hazards that could hurt you or others.

Of course, it is not practical or possible to warn you about all the hazards associated with operating or maintaining your vehicle. You must use your own good judgment.

For your safety and safety of others, pay special attention to all warning symbols. Failure to follow the warnings contained in this manual can result in damage to your vehicle, serious injury, or death.

### Warning Symbols

#### **DANGER**

You **WILL** be **KILLED** or **SERIOUSLY HURT** if you don't follow instructions.

#### **WARNING**

You **CAN** be **KILLED** or **SERIOUSLY HURT** if you don't follow instructions.

#### **CAUTION**

You **CAN** be **HURT** if you don't follow instructions.

#### **NOTICE**

You **CAN** damage your vehicle, other property or the environment.

## Special Messages

---

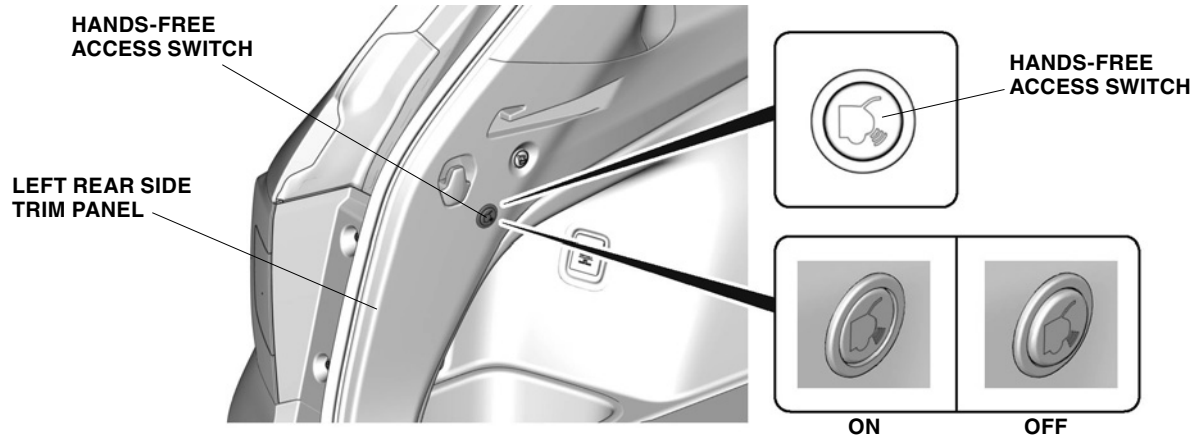
This manual contains specialized information about accessory hands-free access power tailgate. If you want to know more about the hands-free access power tailgate, please refer to “Using the Hands Free Access” in the vehicle owner’s manual.

## How the Hands-Free Access Switch Work

### ⚠ WARNING

**Make sure the hands-free access is off when you install or use the accessory trailer hitch. Anyone caught in the path of a tailgate that is opening or closing can be seriously injured.**

The hands-free access switch is located on the left rear side trim panel. By pressing and releasing the hands-free access switch, the hands-free access function is toggled on or off. If there is no hands-free access switch on the left rear side trim panel, please refer to the vehicle owner's manual.



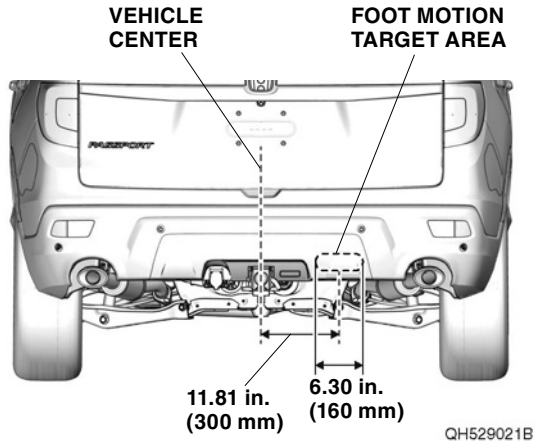
QH529010B

## Information about the Foot Motion Target Area

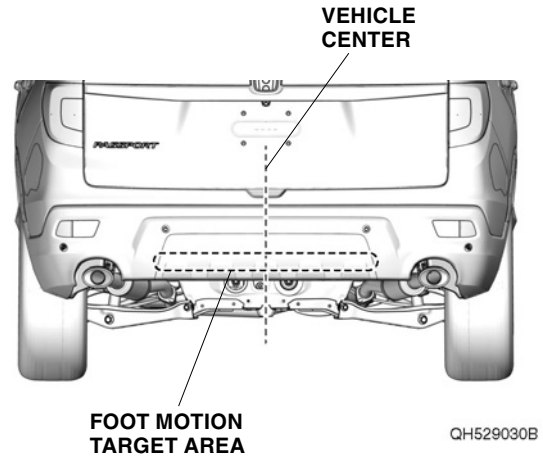
---

Refer to the diagram below for the correct hands-free access foot motion target area.

### With Accessory Trailer Hitch



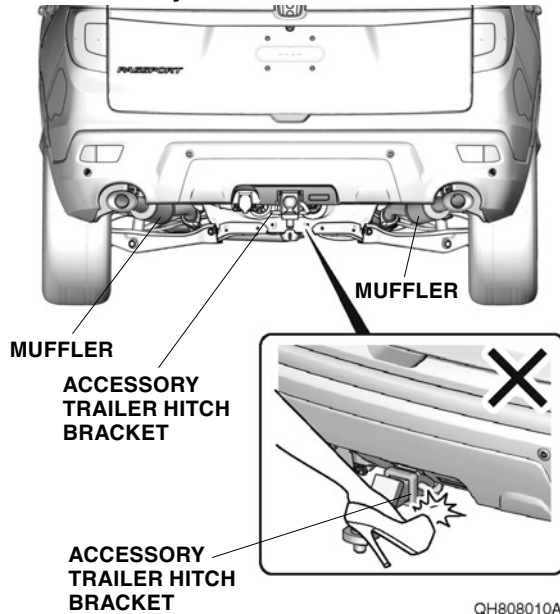
### Without Accessory Trailer Hitch



**⚠ CAUTION**

Be careful not to kick the bracket of the accessory trailer hitch or mufflers when using the hands-free access. It may cause a burn or personal injury.

**With Accessory Trailer Hitch**



**Without Accessory Trailer Hitch**

