



## INSTALLATION INSTRUCTIONS

Accessory  
FRONT UNDER SPOILERS  
P/N 08F01-TGS-100

Application  
2019 PASSPORT

Publications No.  
VERSION 1  
Issue Date  
JAN 2019

### PARTS LIST

Right front under spoiler



Left front under spoiler



8 Clips



2 Spring nuts



2 Self-tapping screws, 5 x 20 mm



2 Self-tapping screws, 4 x 16 mm



2 Washers



### TOOLS AND SUPPLIES REQUIRED

Phillips screwdriver

Flat-tip screwdriver

Ratchet

10 mm Socket

10 mm Open end wrench

Shop towel

Blanket

Masking tape

Drill

3 mm, 6 mm, 8 mm, and 12 mm Drill bits

File

Pushpin

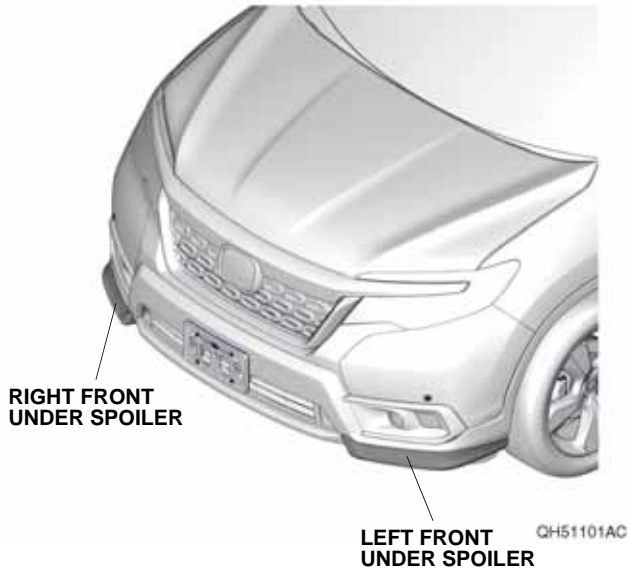
Eye protection (face shield, safety goggles, etc.)

Diagonal cutters

*The following tools are available through the Honda Tool and Equipment Program. On the iN, click on Service > Service Bay > Tool and Equipment Program, then enter the number under "Search." Or, call 888-424-6857.*

- Trim Tool Set (T/N SOJATP2014)
- Plastic Trim Tool (T/N SILTRIMTL10)

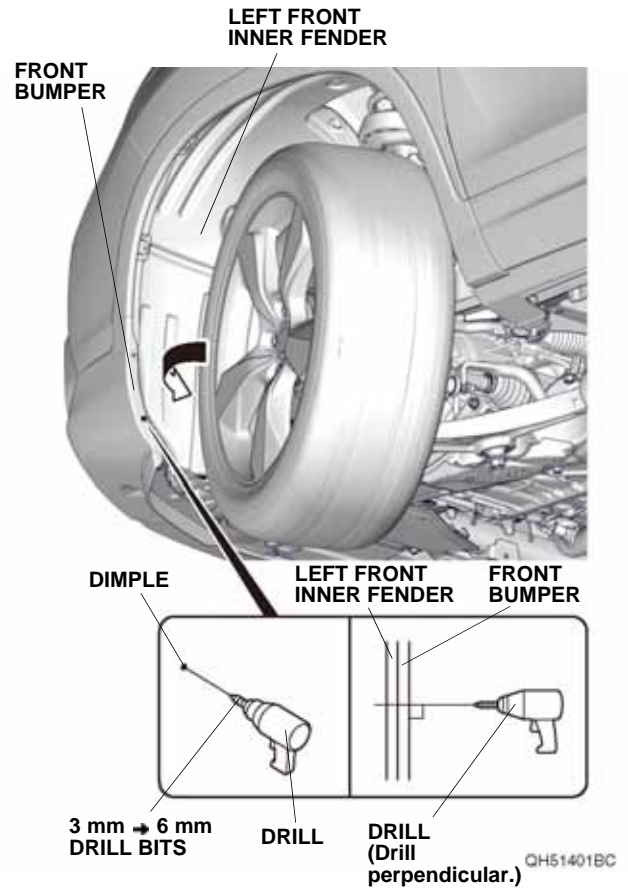
## Illustration of the Front Under Spoilers on the Vehicle



## INSTALLATION

**Customer Information:** The information in this installation instruction is intended for use only by skilled technicians who have the proper tools, equipment, and training to correctly and safely add equipment to your vehicle. These procedures should not be attempted by “do-it-yourselfers.”

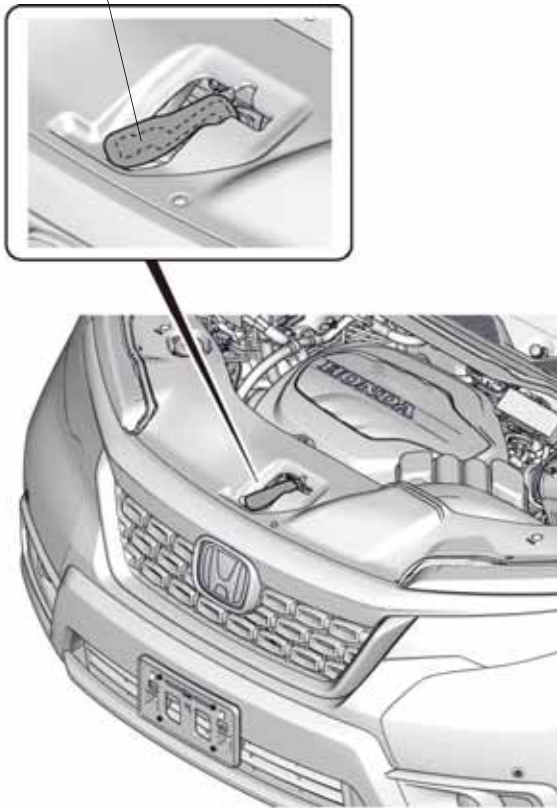
1. Turn the steering wheel fully clockwise.



2. While wearing eye protection, drill the dimple to 6 mm. First, drill with a 3 mm drill bit, and finish with a 6 mm drill bit. Remove any burrs.  
NOTE: Make sure to drill perpendicular to the front bumper and front inner fender.
3. Turn the steering wheel fully counterclockwise, and repeat step 2 on the right side of the vehicle.

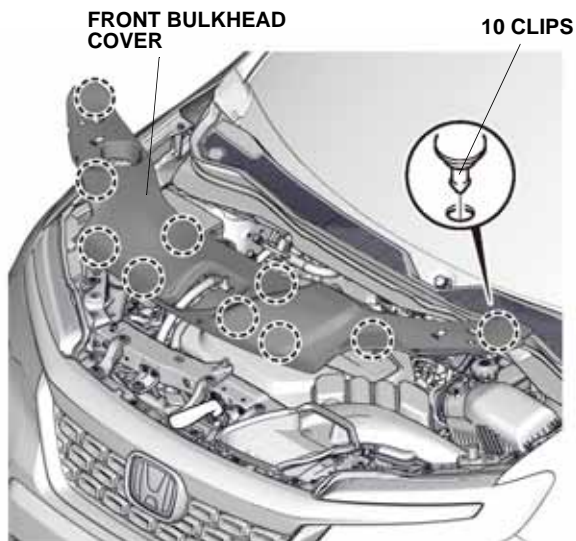
4. Disconnect the negative cable from the battery:
  - Wrap a shop towel around the hood latch.

**HOOD LATCH**  
(Wrap with a shop towel.)



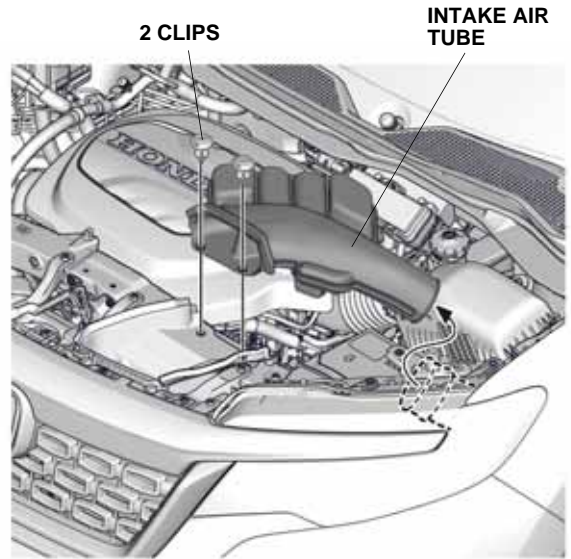
QH50702AB

- Remove the front bulkhead cover.



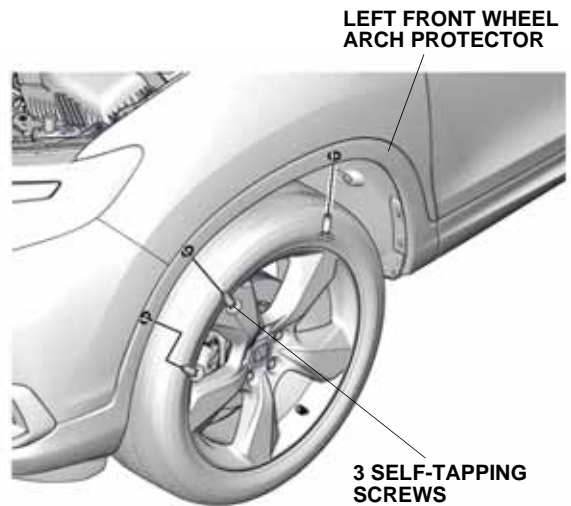
QH50703AB

- Remove the intake air tube.
- Disconnect the negative cable from the battery.



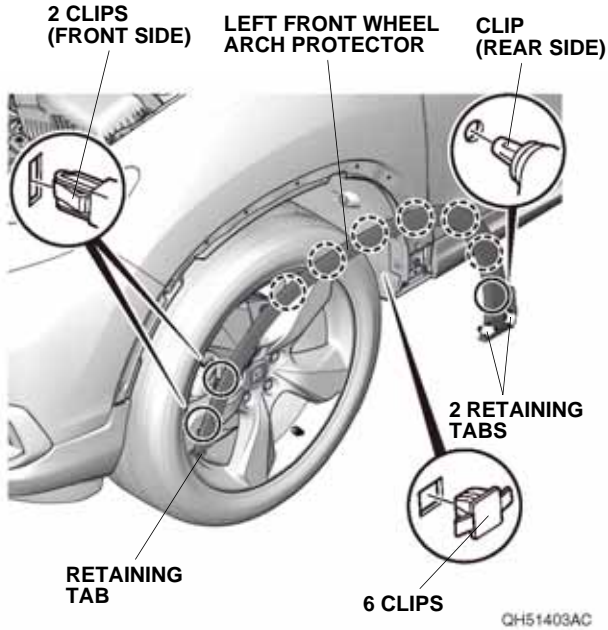
QH50704AB

5. Remove the three self-tapping screws.



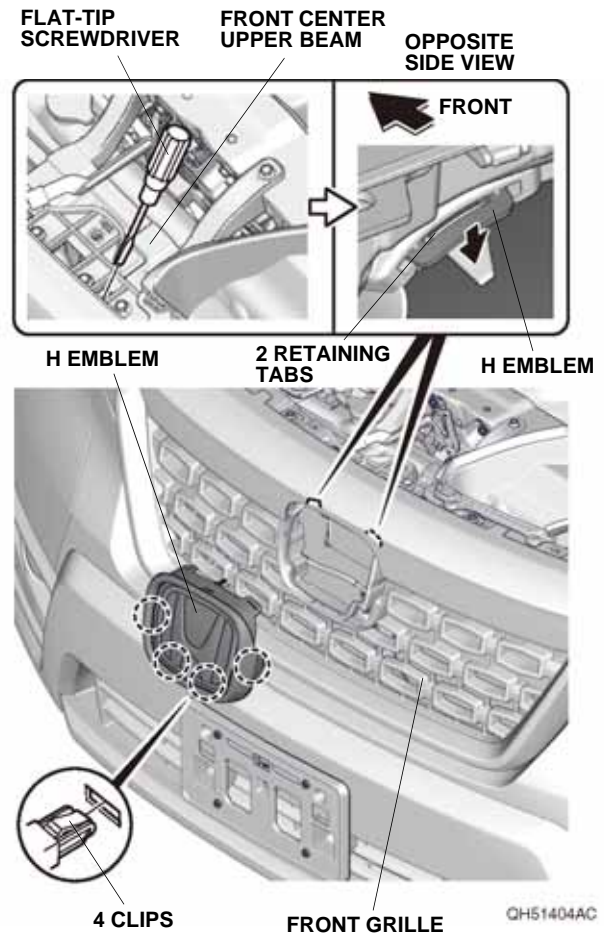
QH51402AC

- Remove the left front wheel arch protector.

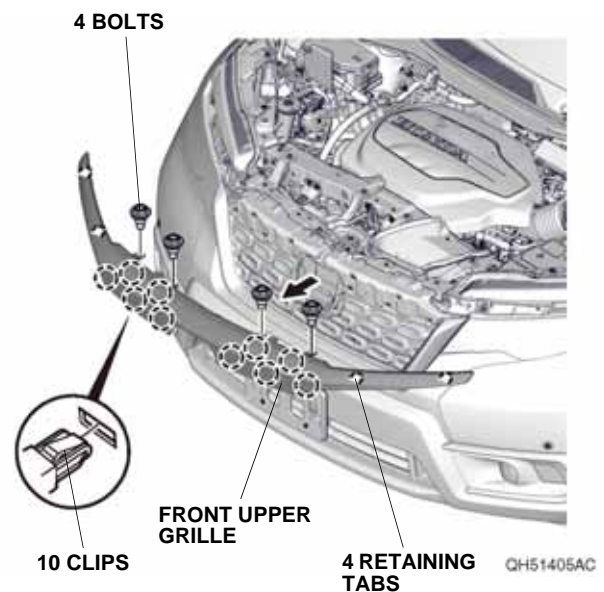


- Repeat steps 5 and 6 on the right side of the vehicle.
- Remove the front bumper:

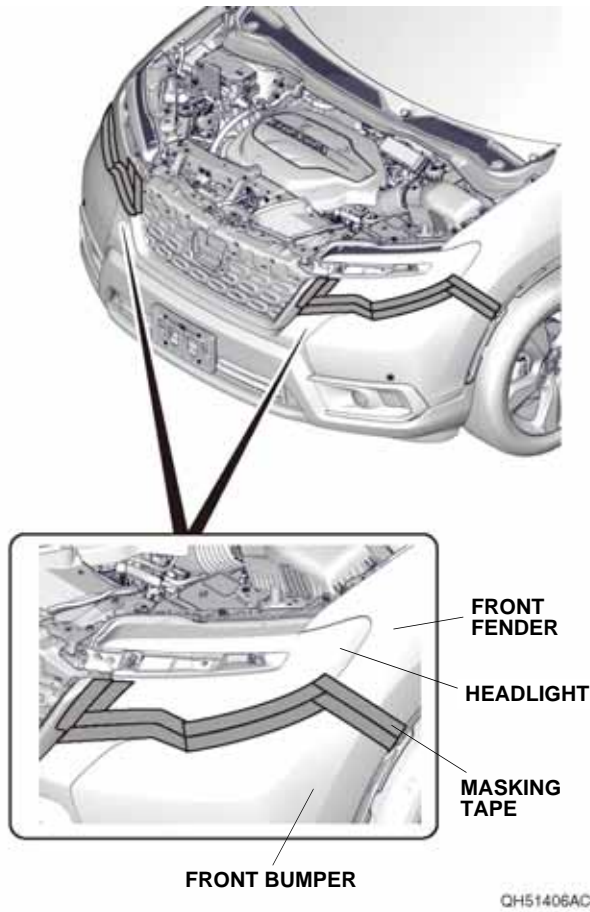
- Using a flat-tip screwdriver, remove the H emblem.



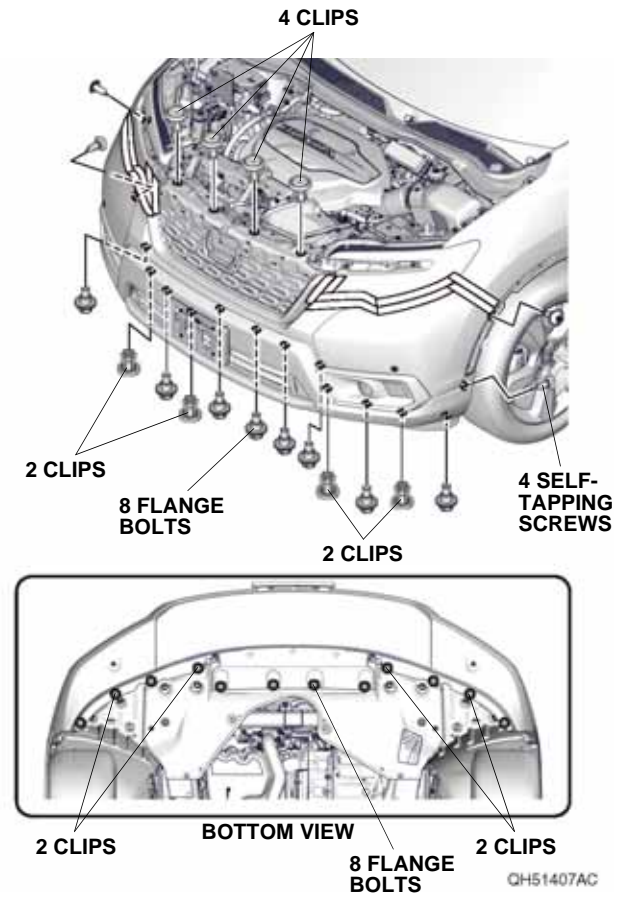
- Remove the front upper grille.



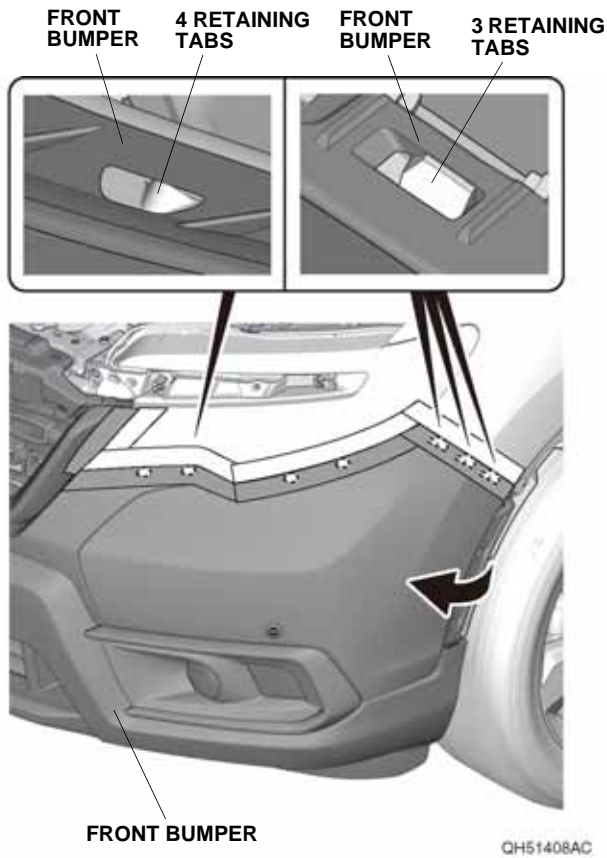
- Apply masking tape as shown.



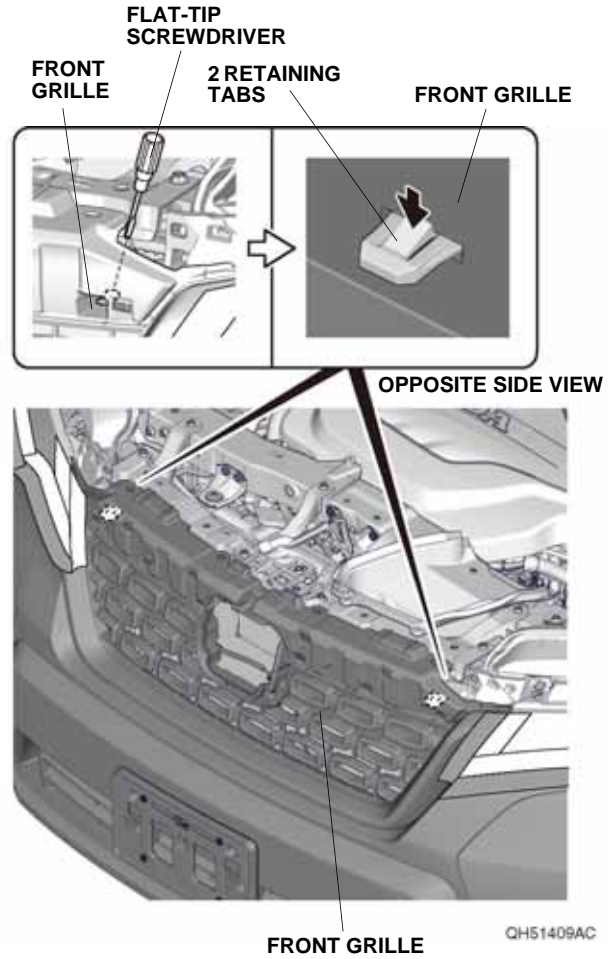
- Remove the four self-tapping screws, eight clips, and eight flange bolts.



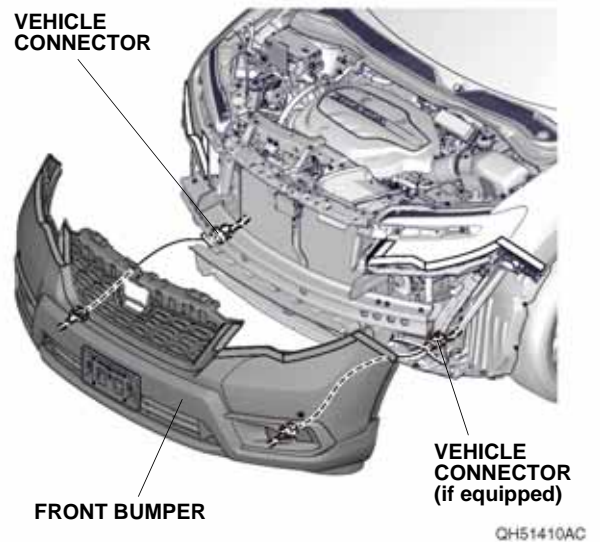
- With the help of an assistant, release the seven retaining tabs on each side.



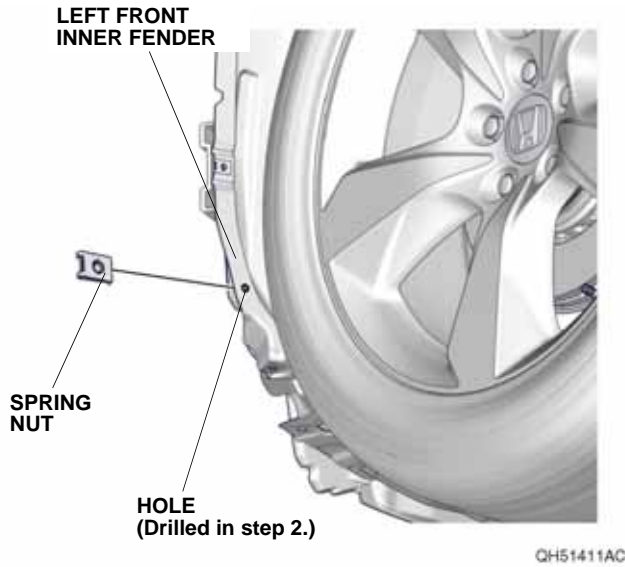
- Release the front grille.



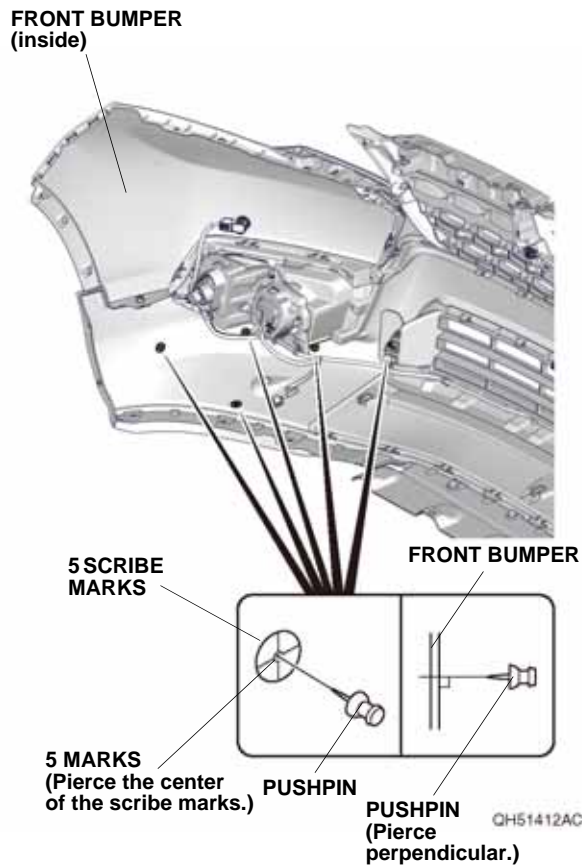
- With the help of an assistant, remove the front bumper, and unplug the vehicle connectors.
- Place the front bumper on a blanket.



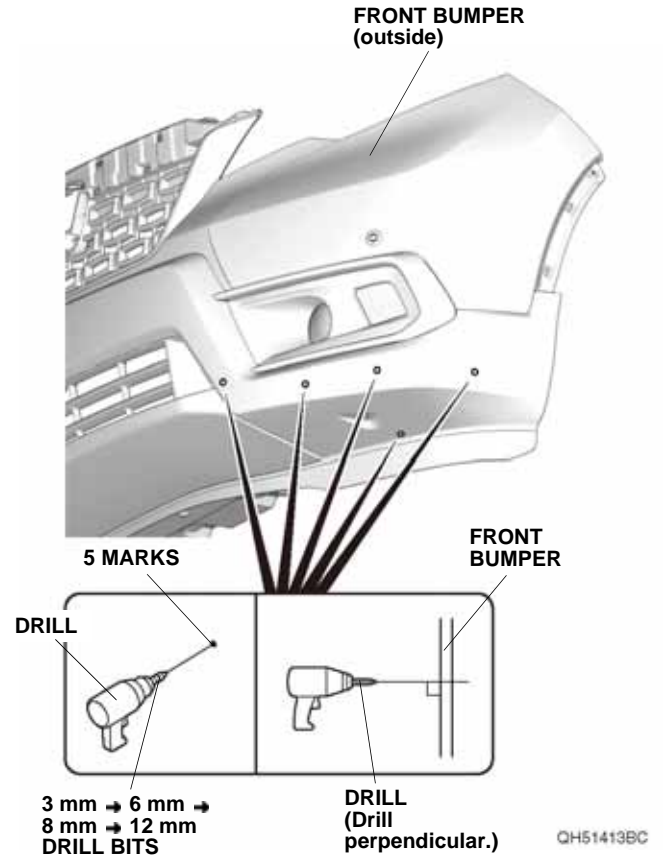
9. Install the spring nut to the left front inner fender.  
**NOTE:** Make sure to install the spring nut with the large side facing the wheel.



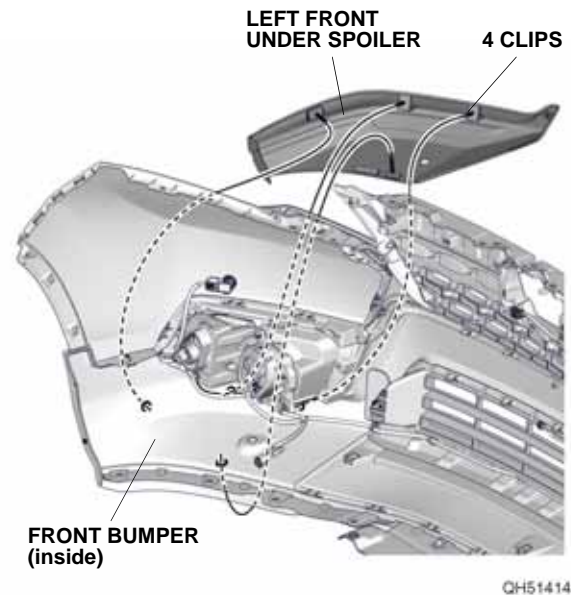
10. Mark the inside of the front bumper:
- Using a pushpin, pierce the front bumper at the center of the five scribe marks.
- NOTE:** Make sure to pierce the scribe marks perpendicular to the front bumper.



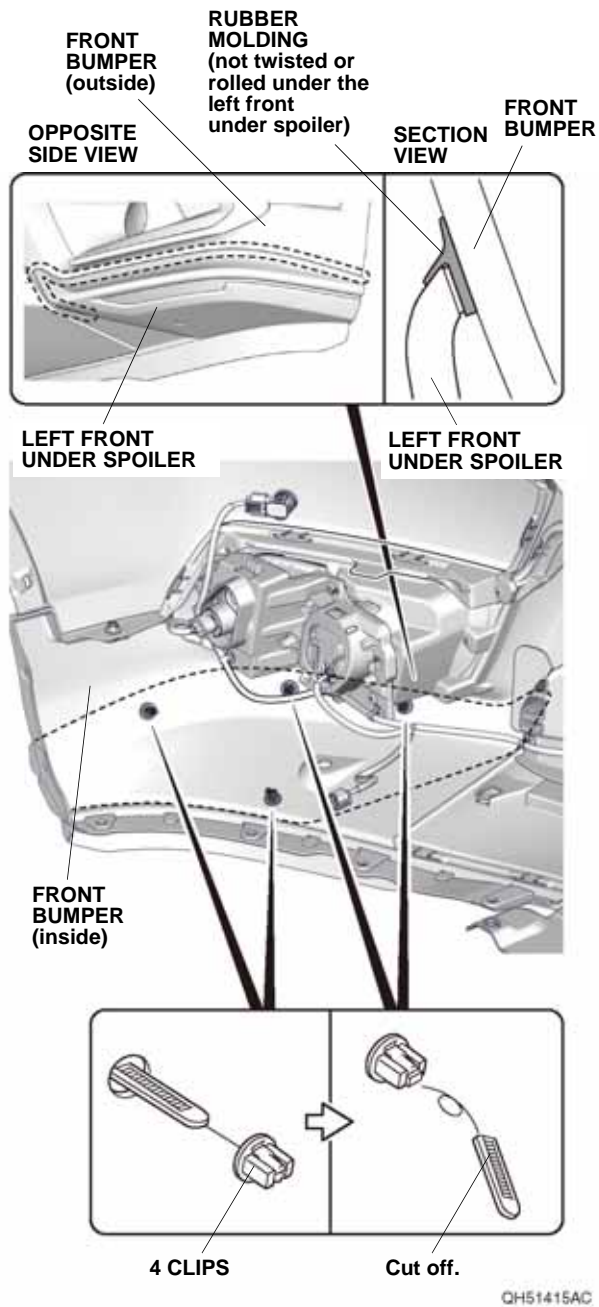
11. While wearing eye protection, drill the five pierced marks to 12 mm from the outside of the front bumper:
- First, drill with a 3 mm drill bit, then follow with a 6 mm drill bit and 8 mm drill bit, and finish with a 12 mm drill bit. Remove any burrs.
- NOTE:** Make sure to drill perpendicular to the front bumper.



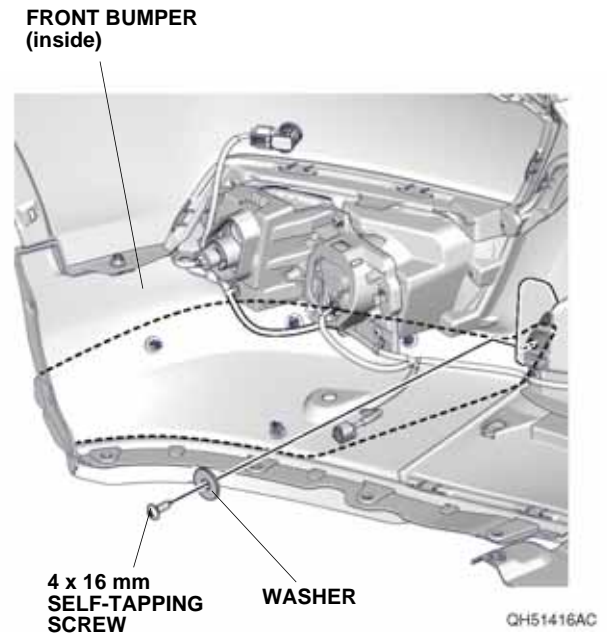
12. Install the left front under spoiler to the front bumper.



13. Secure the left front under spoiler to the front bumper with the four clips.  
 NOTICE: Do not push the female clips too tight; you could deform the left front under spoiler. If necessary, readjust the female clips.



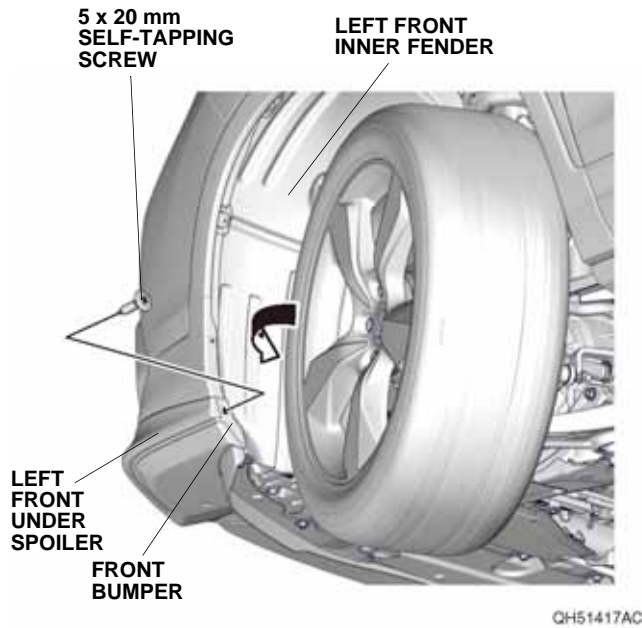
14. Secure the left front under spoiler to the front bumper with one washer and one 4 x 16 mm self-tapping screw.



15. Repeat steps 9 through 14 on the right side of the front bumper.  
 16. Install all removed parts except for the front bulkhead cover and the intake air tube.  
 17. Check that all wire harnesses are routed properly and all connectors are plugged in.  
 18. Connect the negative cable to the battery.  
 19. Install the front bulkhead cover and the intake air tube.



20. Turn the steering wheel fully clockwise.



21. Secure the left front under spoiler to the front bumper and left front inner fender with one 5 x 20 mm self-tapping screw.
22. Turn the steering wheel fully counterclockwise, and repeat step 21 on the right side of the vehicle.
23. Press and hold the audio unit power button for 2 seconds to restore the audio and navi (if equipped) system functions.
24. Set the clock on vehicles without navigation.
25. If necessary, restore the systems back to normal operation as described in the service information.