



## INSTALLATION INSTRUCTIONS

Accessory  
**BODY SIDE MOLDINGS**  
 P/N 08P05-TG7-101

Application  
**2019 PASSPORT**

Publications No.  
**VERSION 2**

Issue Date  
**MAY 2019**

### PARTS LIST

Left front body side molding



Right front body side molding



Left rear body side molding



Right rear body side molding



Front template



Middle template



Rear template



4 Alcohol swabs



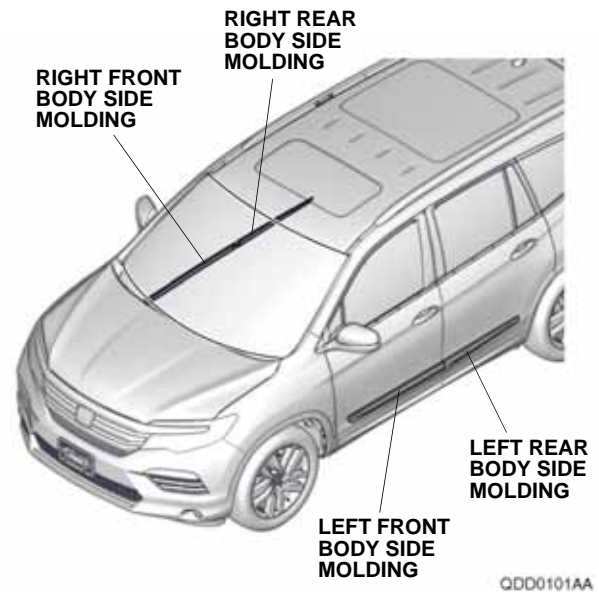
### TOOLS AND SUPPLIES REQUIRED

Masking tape

*The following tool is available through the Honda Tool and Equipment Program. On the iN, click on: Service > Service Bay > Tool and Equipment Program, then enter the number under "Search". Or, call 888-424-6857.*

Rubber Roller (T/N MHLE54D)

### Illustration of the Body Side Moldings on the Vehicle



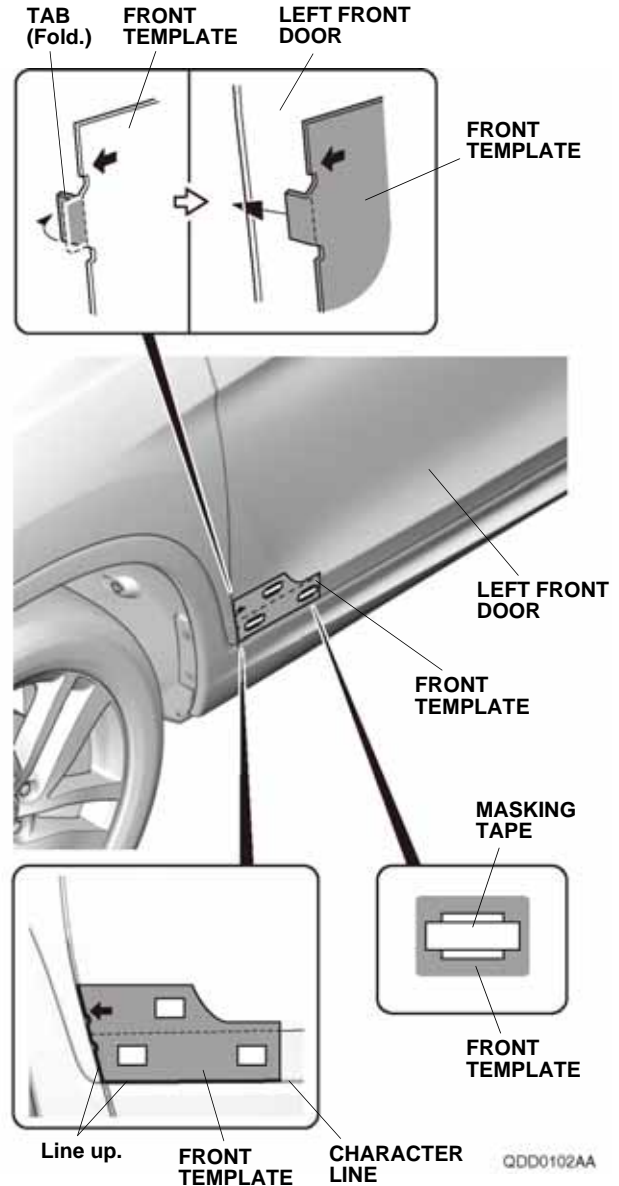
## INSTALLATION

**Customer Information:** The information in this installation instruction is intended for use only by skilled technicians who have the proper tools, equipment, and training to correctly and safely add equipment to your vehicle. These procedures should not be attempted by "do-it-yourselfers."

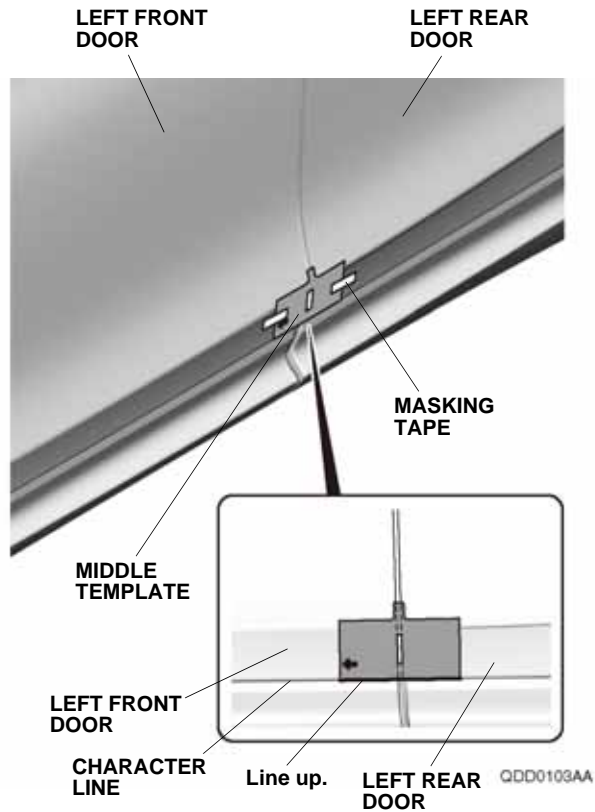
### NOTE:

- If you are also installing door edge films (sold separately), install them after you install the body side moldings.
- These installation instructions show the left body side moldings being installed. The same procedure applies to the right body side moldings.
- Do not damage the paint finish.
- This kit should be installed only if the ambient air temperature is 60°F (15°C) or above.
- To allow the adhesive to cure, do not wash the vehicle for 24 hours. Make sure your customer is aware of this.

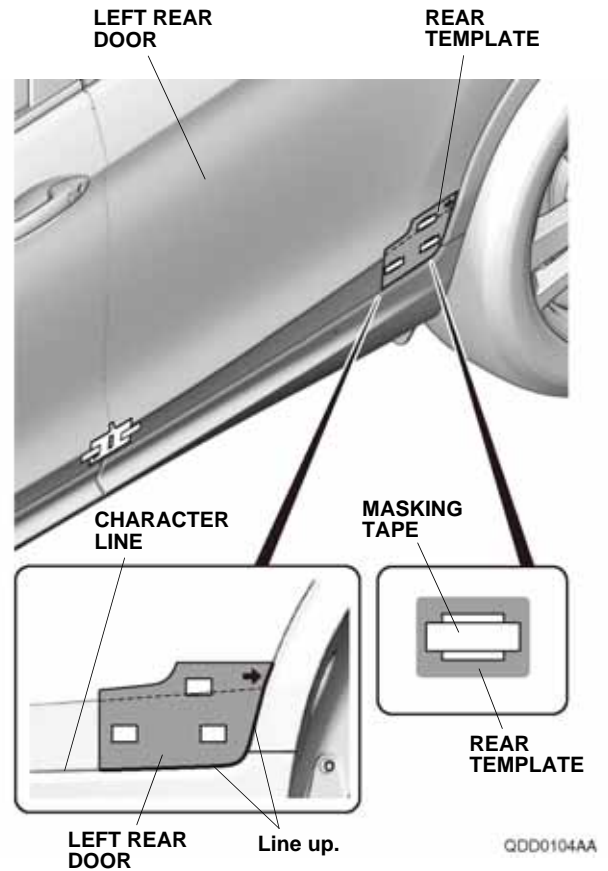
1. Fold the tab, and line up the front template with the character line, and attach it to the left front door with strips of masking tape as shown.



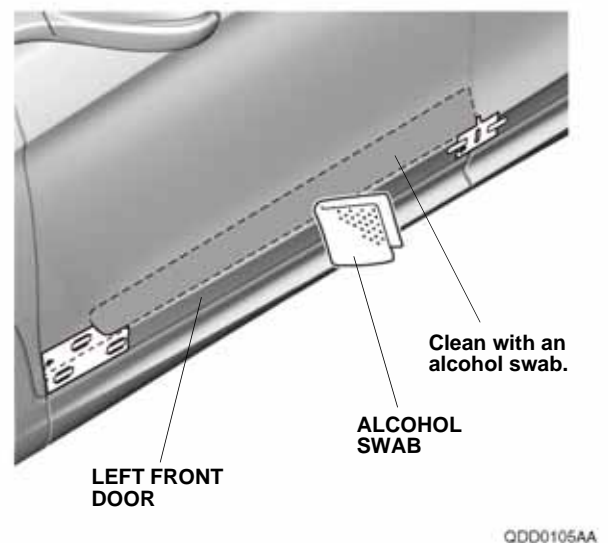
2. Line up the middle template with the character line, and attach it to the left front door and left rear door with strips of masking tape as shown.



3. Line up the rear template with the character line, and attach it to the left rear door with strips of masking tape as shown.



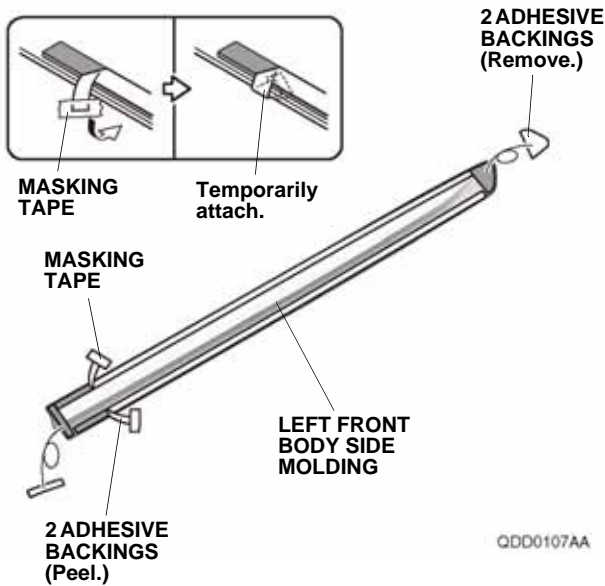
4. Using one alcohol swab, thoroughly clean the left front door where the left front body side molding will attach.



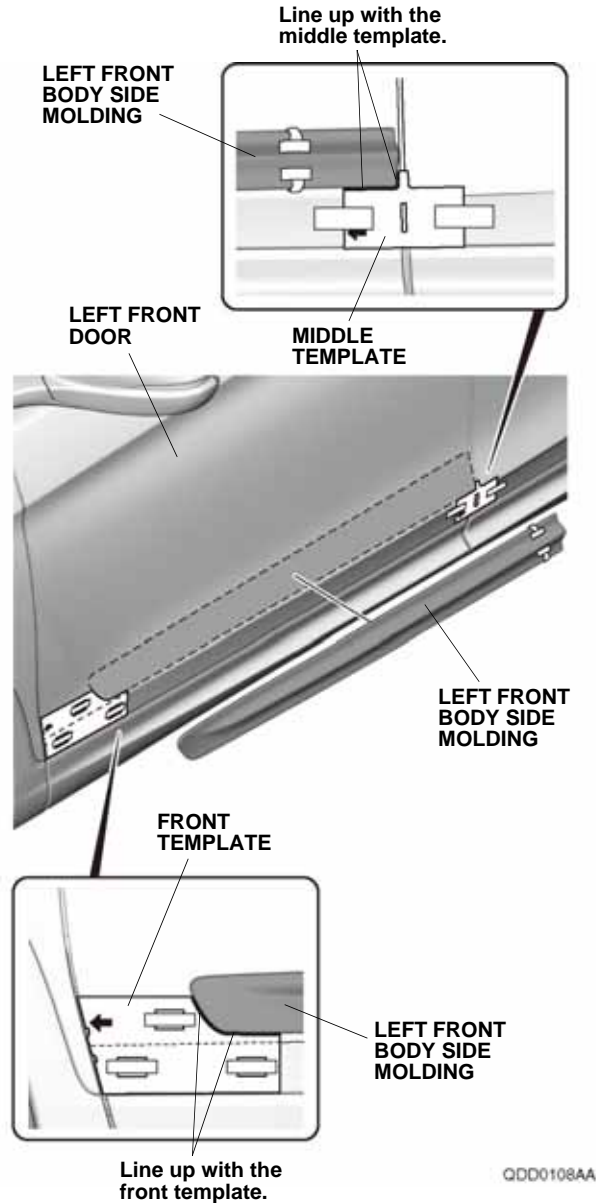
5. Using one alcohol swab, thoroughly clean the left rear door where the left rear body side molding will attach.



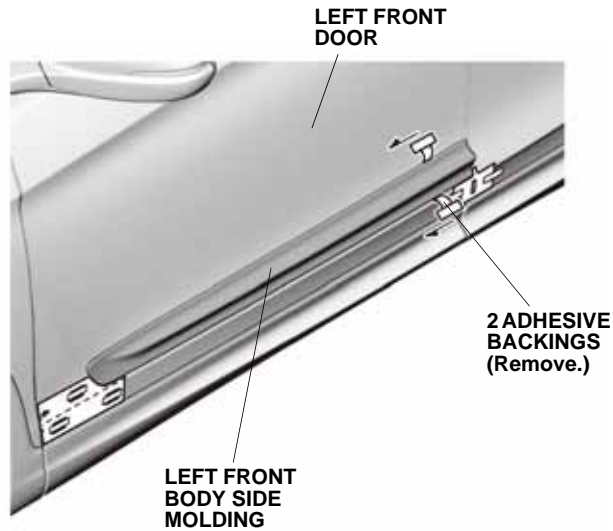
6. Peel back the adhesive backings, and tape them to the front surface of the left front body side molding with strips of masking tape. Remove the small piece of adhesive backings.



7. Line up the left front body side molding with the front and middle templates, and attach it to the left front door as shown.

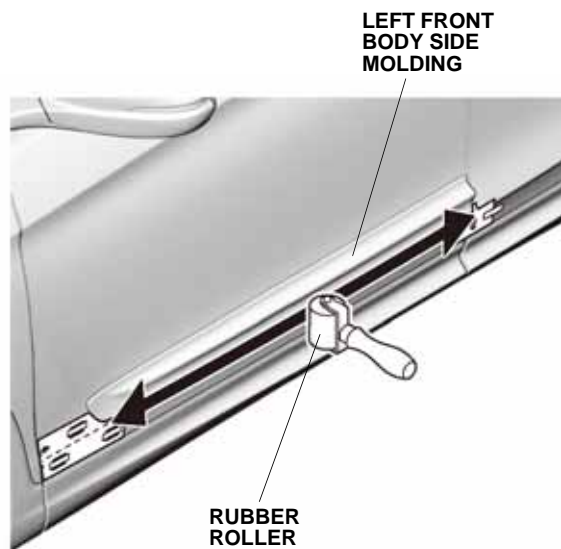


8. While applying light pressure against the left front body side molding, carefully remove the taped adhesive backings.



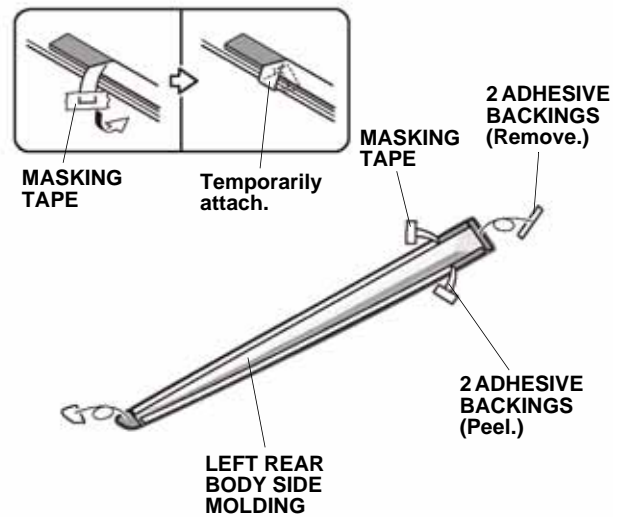
QDD0109AA

9. Using a rubber roller, apply firm pressure against the left front body side molding and roll from one end to the other. Apply firm pressure especially at the ends.



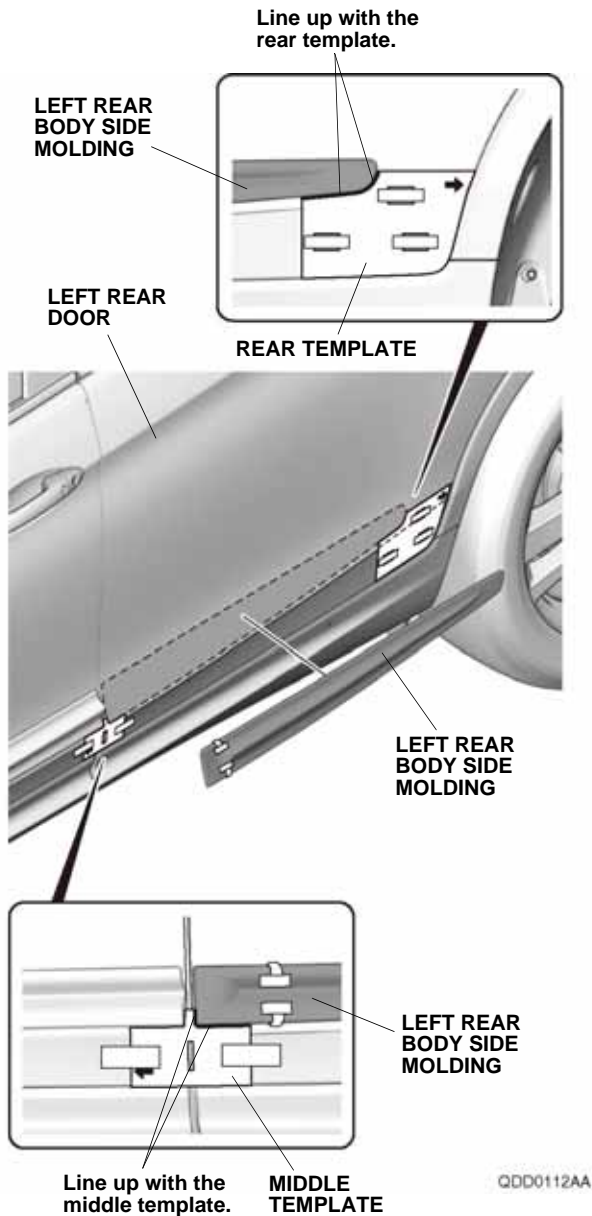
QDD0110AA

10. Peel back the adhesive backings, and tape them to the front surface of the left rear body side molding with the strips of masking tape. Remove the small piece of adhesive backings.

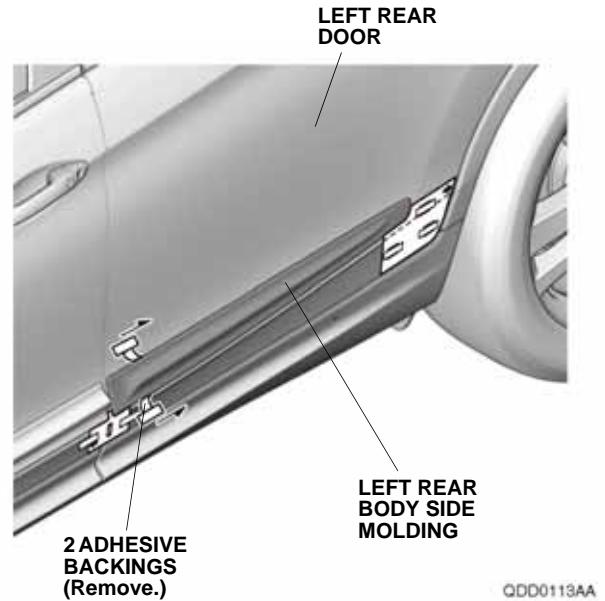


QDD0111AA

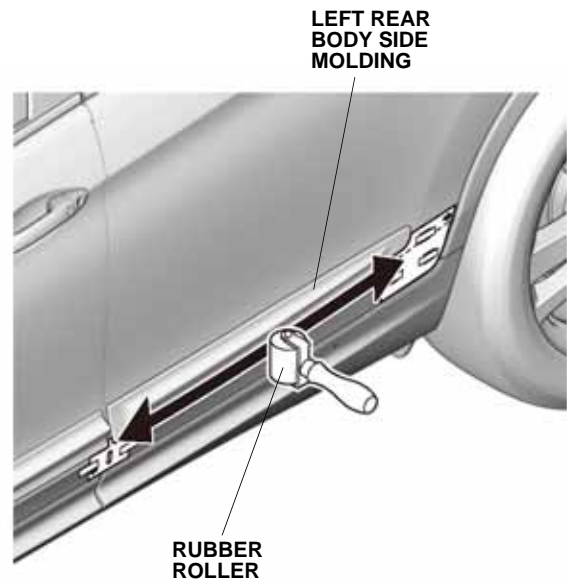
11. Line up the left rear body side molding with the middle and rear templates, and attach it to the left rear door as shown.



12. While applying light pressure against the left rear body side molding, carefully remove the taped adhesive backings.



13. Using a rubber roller, apply firm pressure against the left rear body side molding and roll from one end to the other. Apply firm pressure especially at the ends.



14. Remove the templates. Turn the templates over and repeat steps 1 through 13 to install the right body side moldings on the right side of the vehicle.