

# Germain Honda of College Hills



## INSTALLATION INSTRUCTIONS

Accessory

MOONROOF VISOR  
P/N 08R01-THR-100

Application

2023 ODYSSEY

Publications No.

VERSION 1

Issue Date

MAR 2022

### PARTS LIST

Moonroof visor



2 Brackets A  
(Identification mark: THR A)



Left bracket B  
(Identification mark: THR B-L)



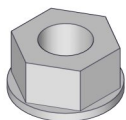
Right bracket B  
(Identification mark: THR B-R)



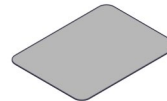
4 Screws



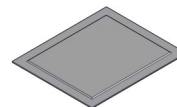
4 Nuts



4 Protective films



2 Alcohol swabs



### TOOLS AND SUPPLIES REQUIRED

Phillips screwdriver

10 mm Combination wrench

Ruler

Shop towel

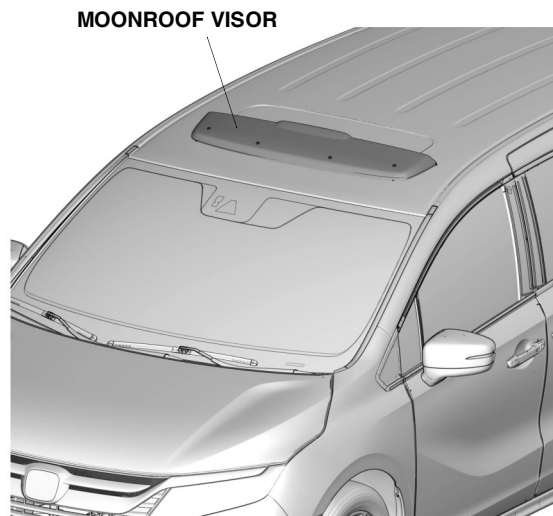
Masking tape

Felt-tip pen

*The following tool is available through the Honda Tool and Equipment Program. On the iN, click on Service > Service Bay > Tool and Equipment Program, then enter the number under "Search." Or, call 888-424-6857.*

Torque Screwdriver (T/N CDI401SM)

### Illustration of the Moonroof Visor Installed on the Vehicle



QF52701BJ

# Germain Honda of College Hills

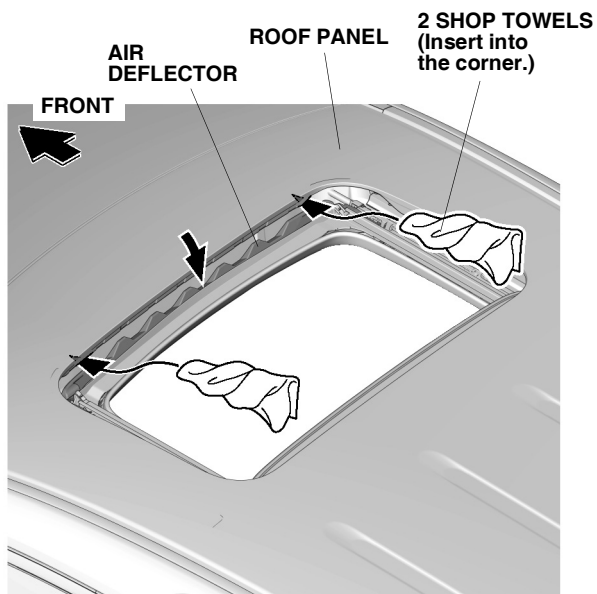
## INSTALLATION

**Customer Information:** The information in this installation instruction is intended for use only by skilled technicians who have the proper tools, equipment, and training to correctly and safely add equipment to your vehicle. These procedures should not be attempted by “do-it-yourselfers.”

### NOTE:

- Be careful not to damage the body paint finish.
- This kit should be installed only if the ambient air temperature is 15°C (60°F) or above.
- To allow the adhesive to cure, do not wash the vehicle for 24 hours. Make sure your customer is aware of this.

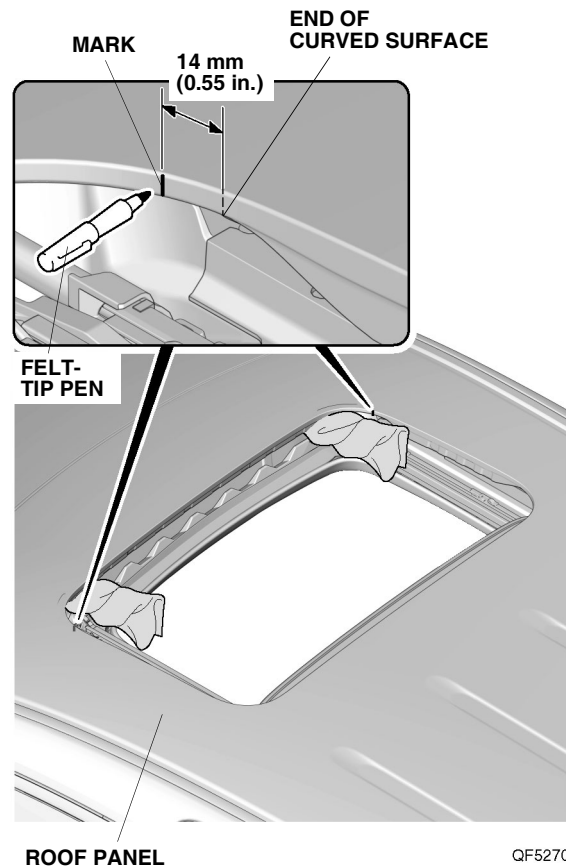
1. Clean the areas to be covered.



QF52702BJ

2. Open the moonroof. Roll up two shop towels and insert them between the roof panel and air deflector to lower the air deflector. Be careful not to damage the air deflector.

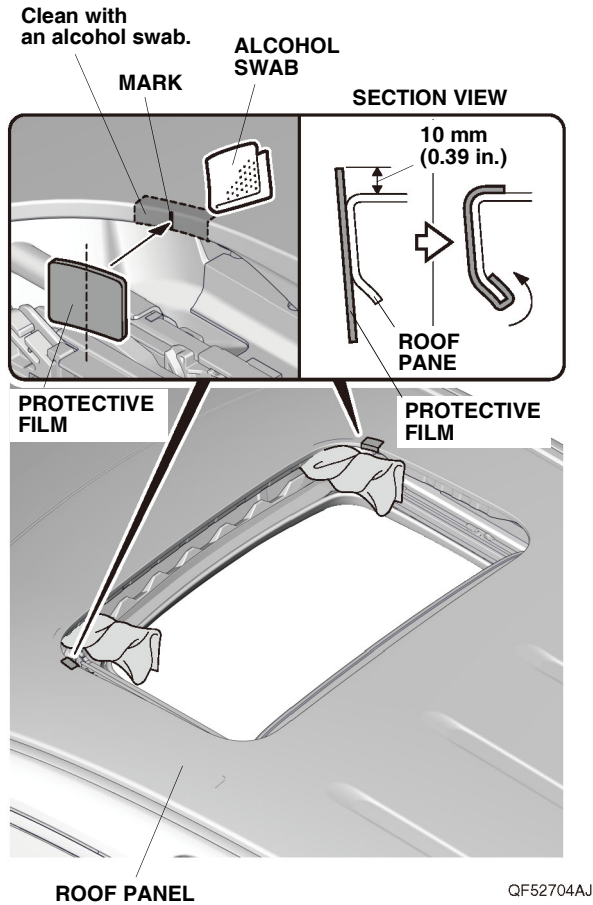
3. Measure and make two marks on the roof panel as shown.



QF52703BJ

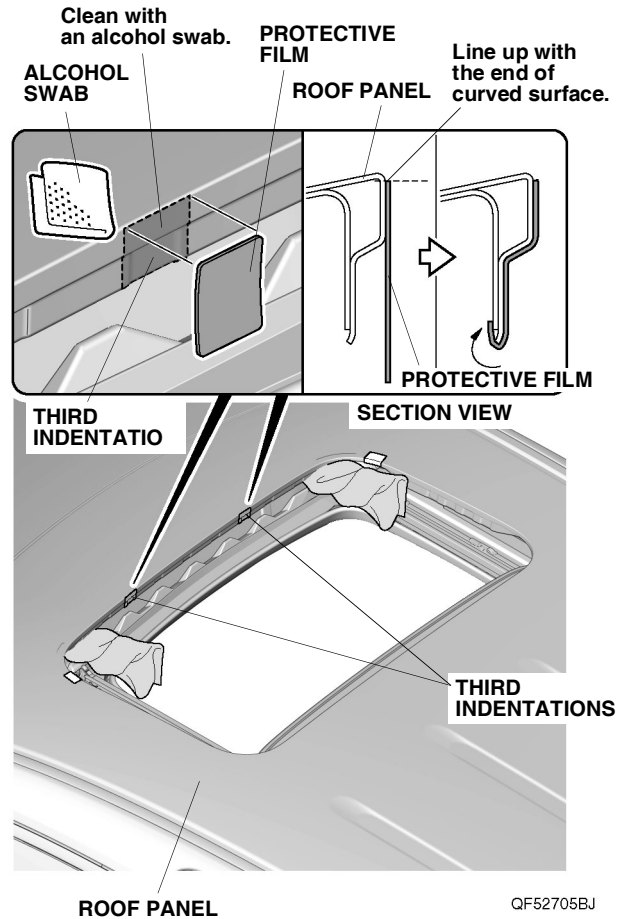
# Germain Honda of College Hills

- Using an alcohol swab, thoroughly clean the roof panel at each of the two marks you have made but do not wipe off the mark.



- Remove the adhesive backing from the two protective films and attach one to the roof panel at each of the two marks you made. Wrap 10 mm (0.39 in.) of protective film around the lip of the moonroof opening.

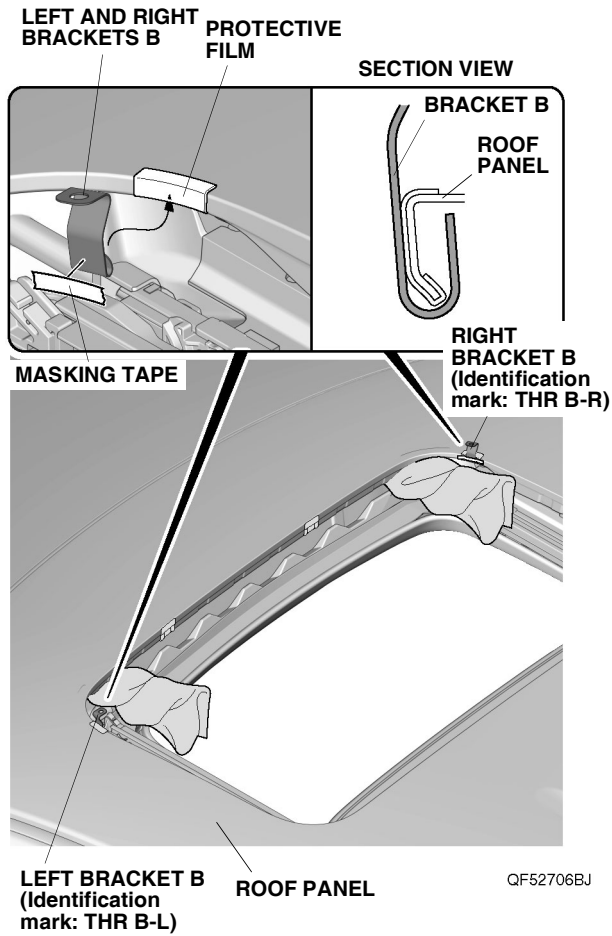
- Locate the third indentations from the right front corner and left front corner of the moonroof opening. Using an alcohol swab, thoroughly clean the roof panel where the protective films will attach.



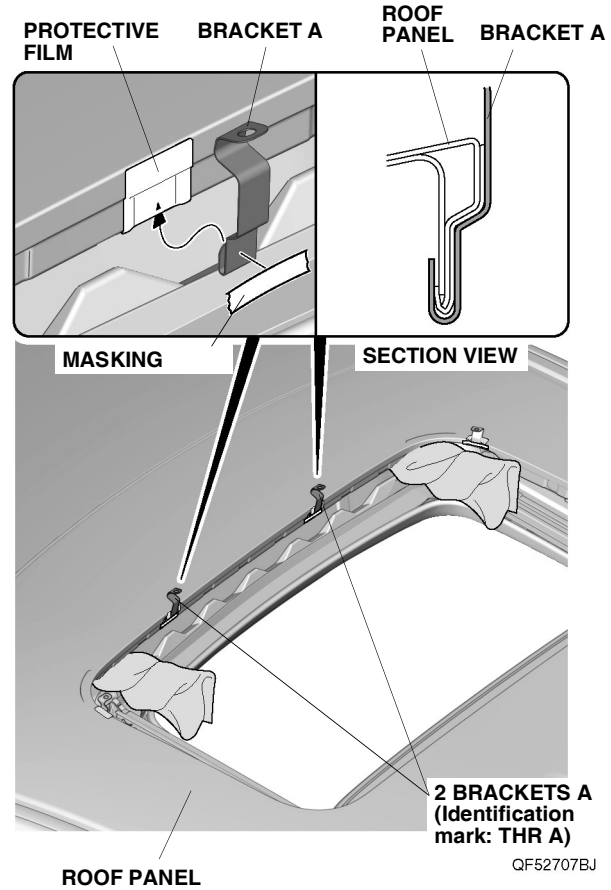
- Remove the adhesive backing from the two protective films and attach one to the roof panel at each third indentation.

# Germain Honda of College Hills

8. Place the left and right brackets B into position over the two protective films and around the lip of the roof panel, and tape them into position with strips of masking tape.  
NOTE: Be careful not to crease the protective film.

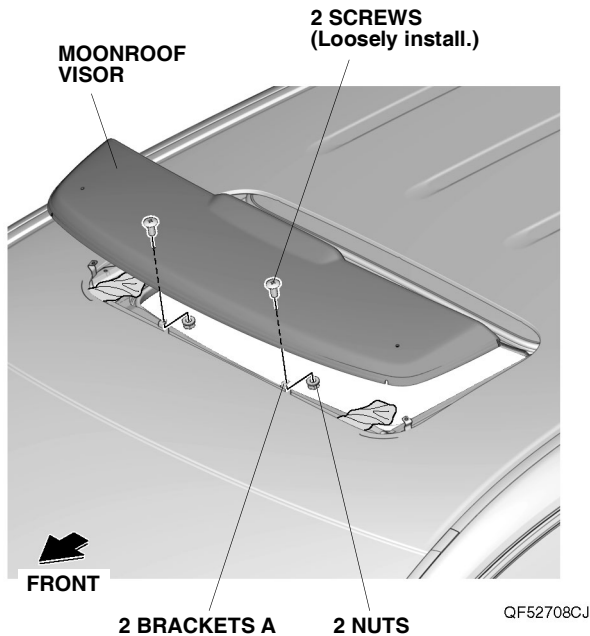


9. Place the two brackets A into position over the two protective films and around the lip of the roof panel, and tape them into position with strips of masking tape. Be sure to line up the lower end of the brackets A with the third indentation. NOTE: Be careful not to crease the protective film.

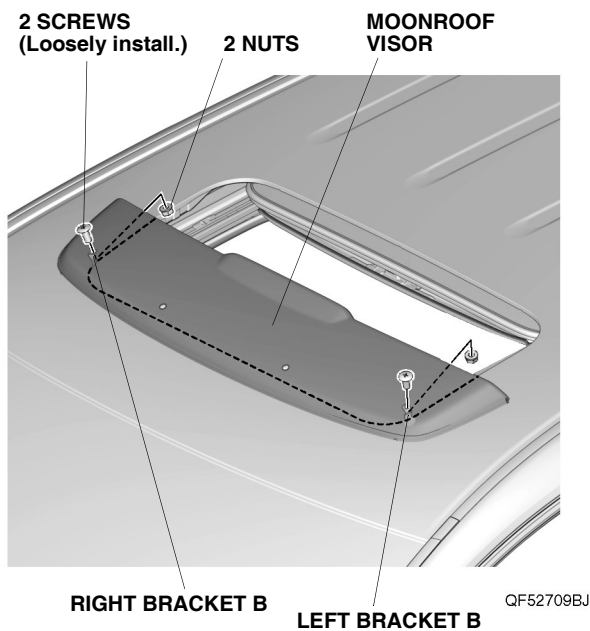


# Germain Honda of College Hills

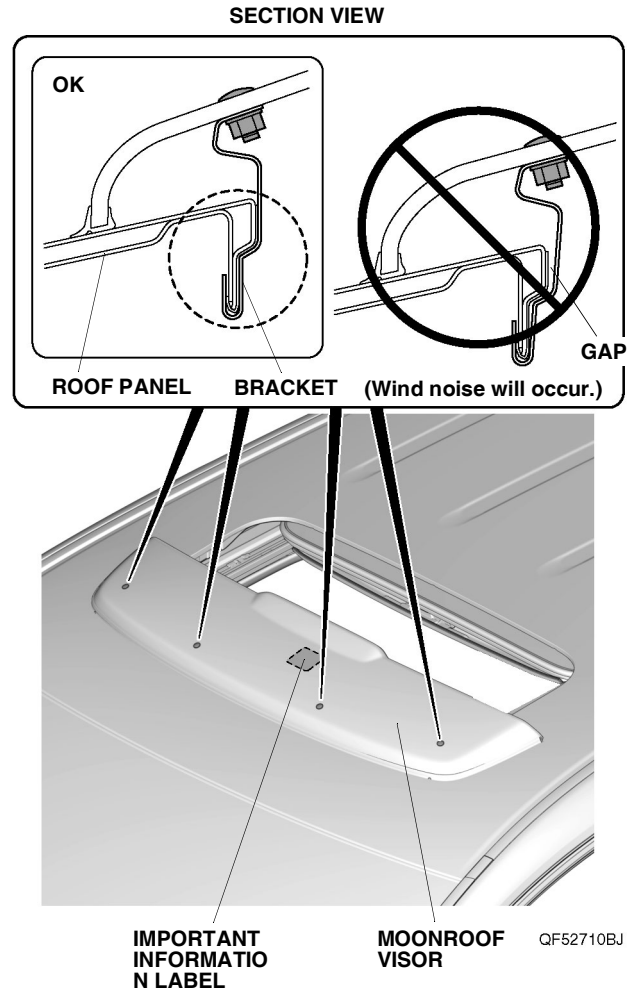
10. Set the moonroof visor on the vehicle roof in front of the moonroof opening, and adjust its position so the holes in the moonroof visor are lined up with the bracket A holes. Loosely install the moonroof visor to the brackets A with two screws and two nuts. Remove the strips of masking tape from the brackets A.



11. Loosely install the moonroof visor to the brackets B with two screws and two nuts. Remove the strips of masking tape from the brackets B.

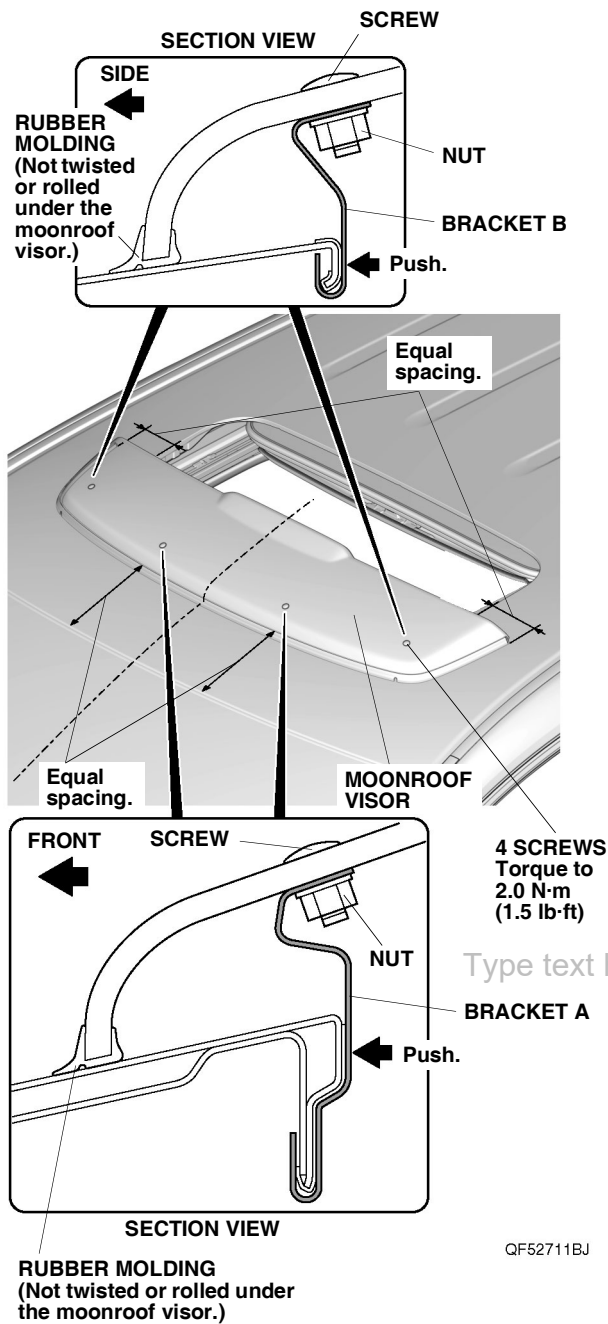


12. Check the information on the IMPORTANT INFORMATION label. To avoid wind noise, install the brackets against the body.

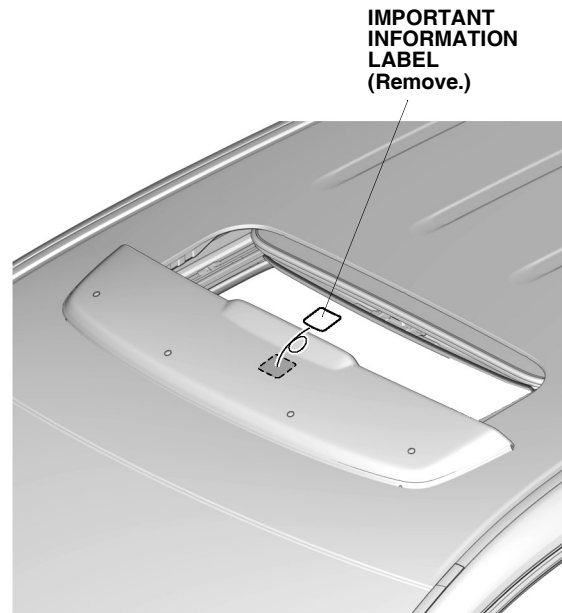


# Germain Honda of College Hills

13. Position the moonroof visor with equal spacing on each side. Check that the rubber molding is not twisted or rolled under the moonroof visor.



15. Remove the shop towels inserted in step 2. Remove the IMPORTANT INFORMATION label.



QF52712BJ

14. Tighten two screws and two nuts on the front of the vehicle first, then tighten two screws and two nuts on each side. Tighten while applying pressure so that there is no gap between the roof panel and the brackets A and B. Torque the screws to 2.0 N·m (1.5 lb·ft).

# Germain Honda of College Hills

Put a copy of this page in the glove box for your customer.

## CARE OF THE MOONROOF VISOR

- To avoid damaging the surface, do not use organic solvents such as gasoline, ammonia-based cleaners or solvents to clean the moonroof visor.
- Clean with neutral detergent solution and water using a soft cloth or chamois.
- To remove fine scratches and restore the original luster, use Meguiar's Mirror Glaze plastic cleaner and polish or an equivalent high-quality plastic cleaner.