

# Germain Honda of College Hills



## INSTALLATION INSTRUCTIONS

Accessory

AMBIENT LIGHT  
P/N 08E10-THR-100

Application

2023 ODYSSEY

Publications No.

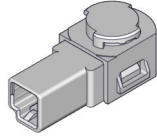
VERSION 1

Issue Date

MAR 2022

### PARTS LIST

2 Ambient lights



### TOOLS AND SUPPLIES REQUIRED

Phillips screwdriver

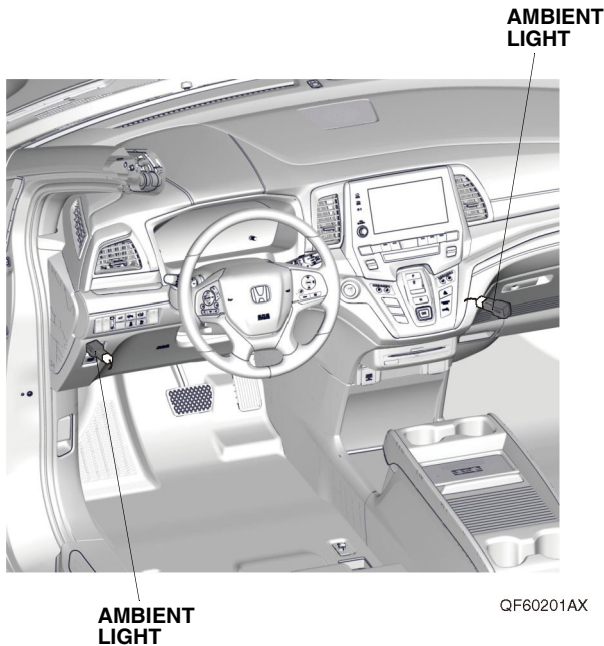
10 mm Open end wrench

Shop towel

The following tools are available through the Honda Tool and Equipment Program. On the iN, click on Service > Service Bay > Tool and Equipment Program, then enter the number under "Search." Or, call 888-424-6857.

- Trim Tool Set (T/N SOJATP2014)
- Plastic Trim Tool (T/N SILTRIMTL10)

### Illustration of the Ambient Lights in the Vehicle

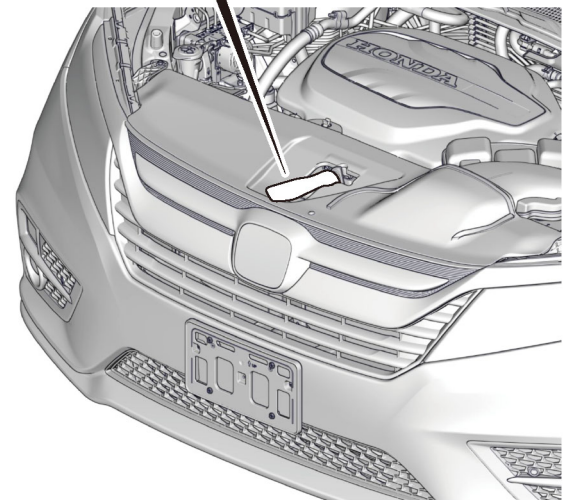
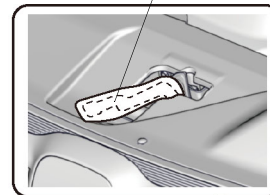


### INSTALLATION

**Customer Information:** The information in this installation instruction is intended for use only by skilled technicians who have the proper tools, equipment, and training to correctly and safely add equipment to your vehicle. These procedures should not be attempted by "do-it-yourselfers."

1. Disconnect the negative cable from the battery:
  - Wrap a shop towel around the hood latch.

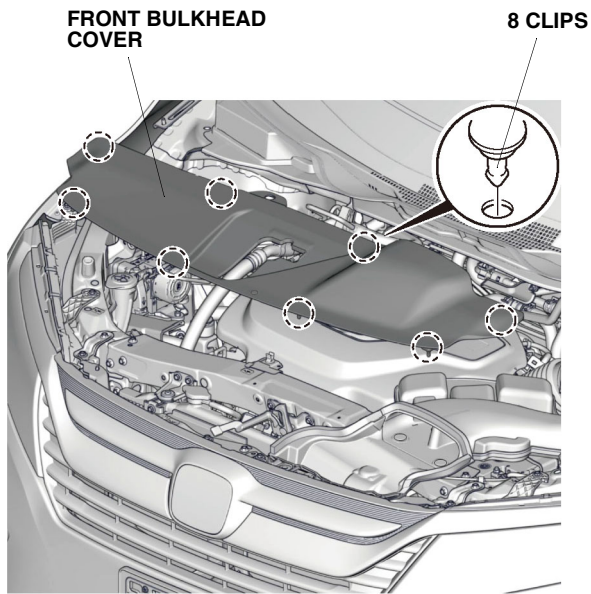
HOOD LATCH  
(Wrap with a shop towel.)



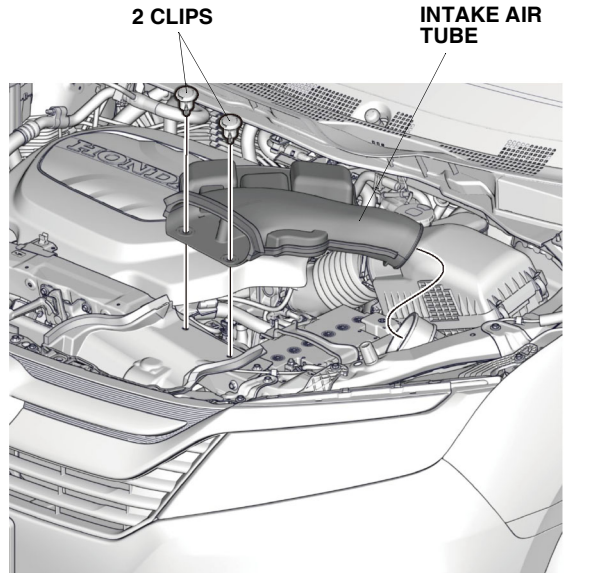
QF52702AG

# Germain Honda of College Hills

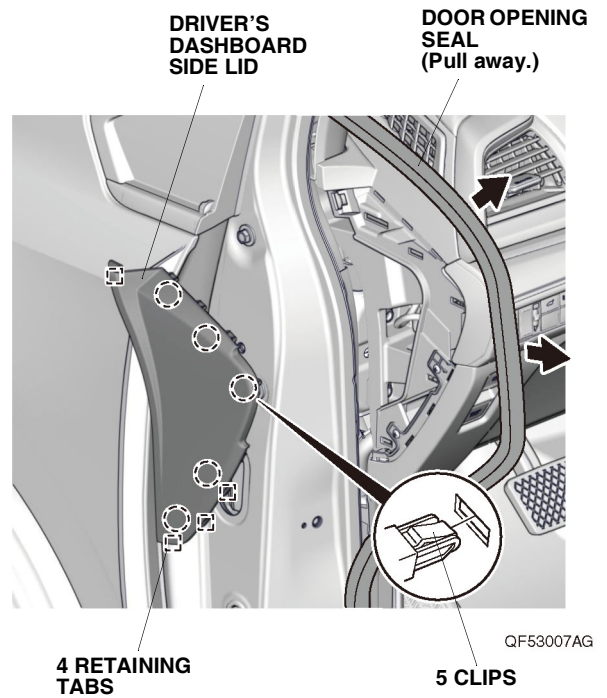
- Remove the front bulkhead cover.



- Remove the intake air tube.
- Disconnect the negative cable from the battery.

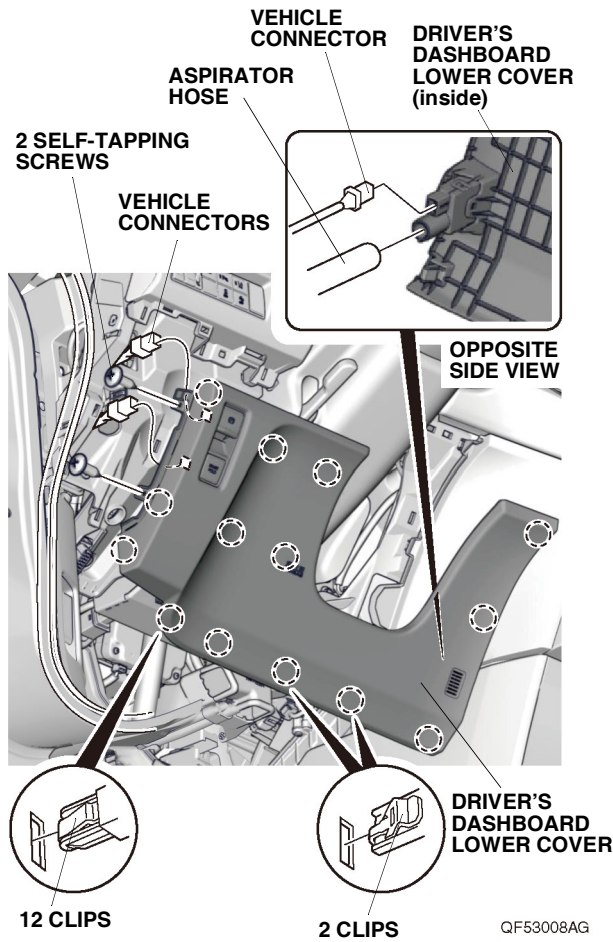


- Pull away the door opening seal, and remove the driver's dashboard side lid.

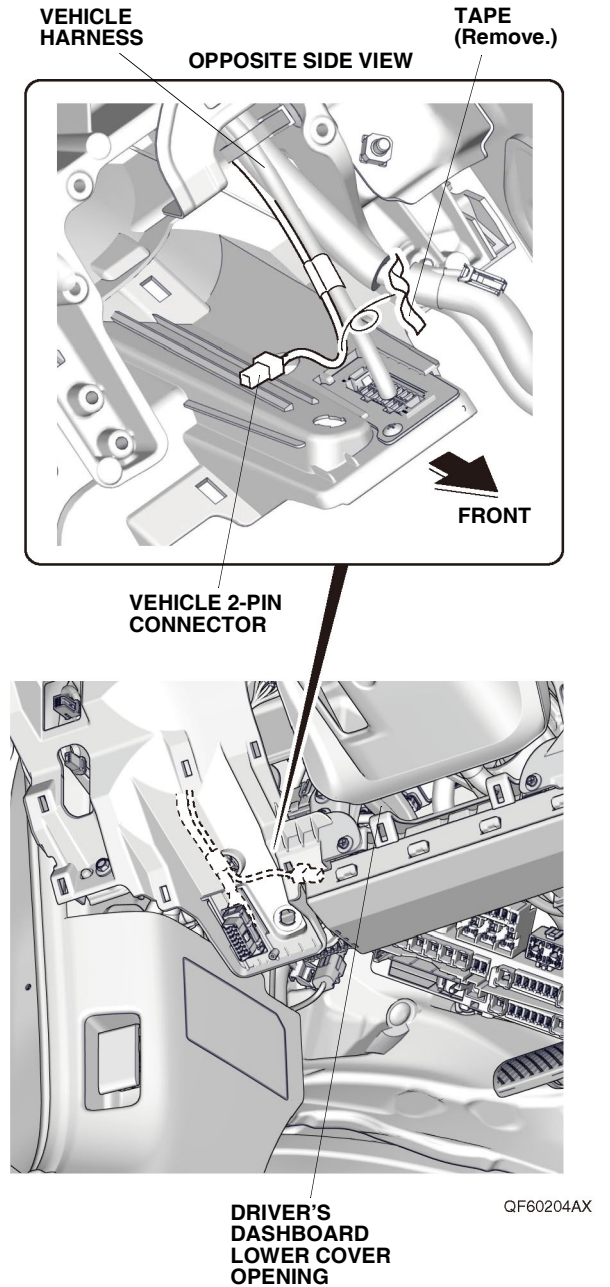


# Germain Honda of College Hills

3. Remove the driver's dashboard lower cover, and unplug the vehicle connectors.

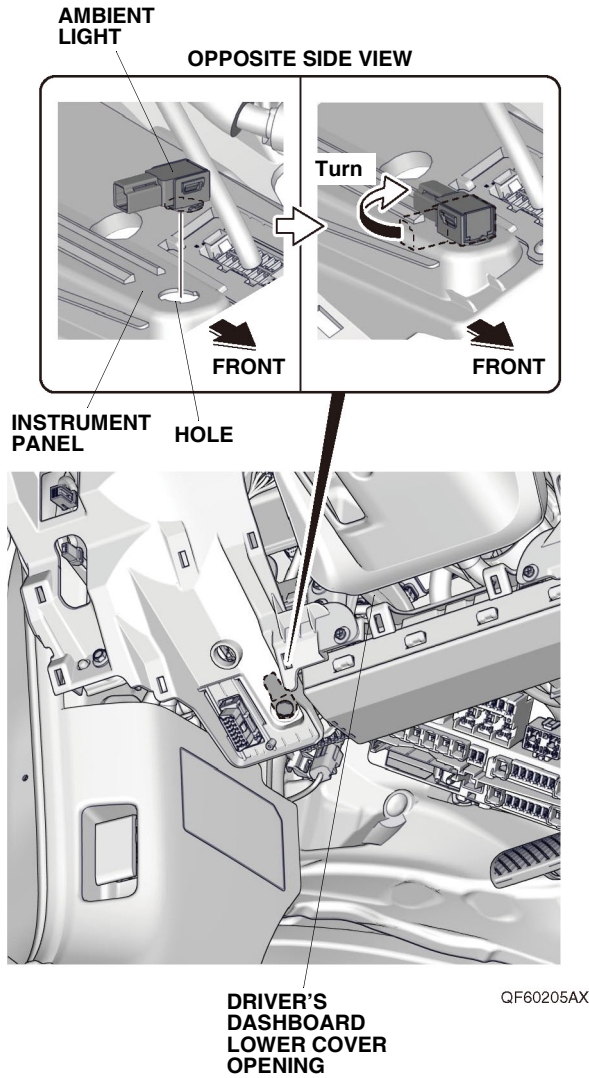


4. Remove the tape to free the vehicle 2-pin connector.

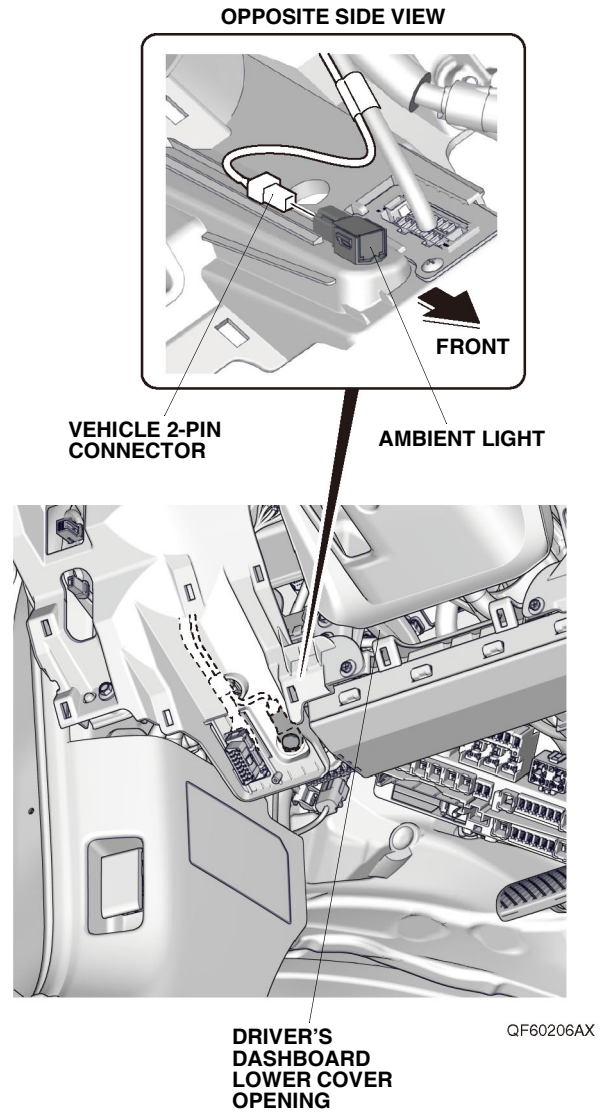


# Germain Honda of College Hills

5. Install the ambient light on the instrument panel as shown.

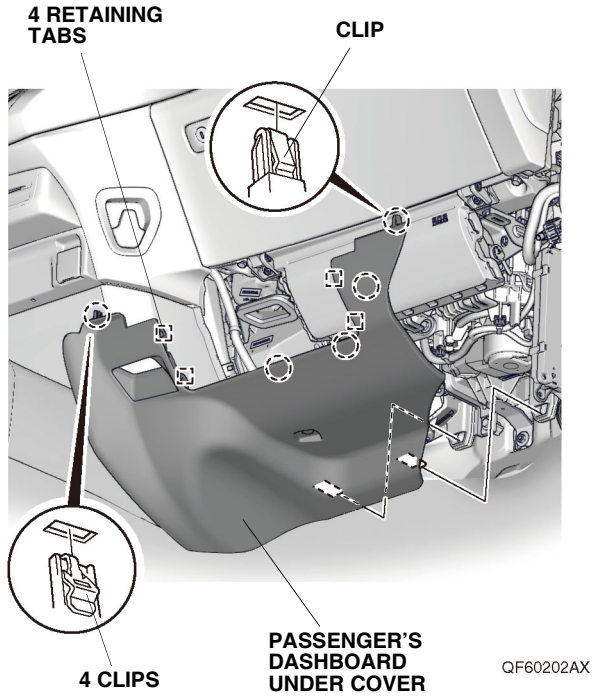


6. Plug the vehicle 2-pin connector into the ambient light.

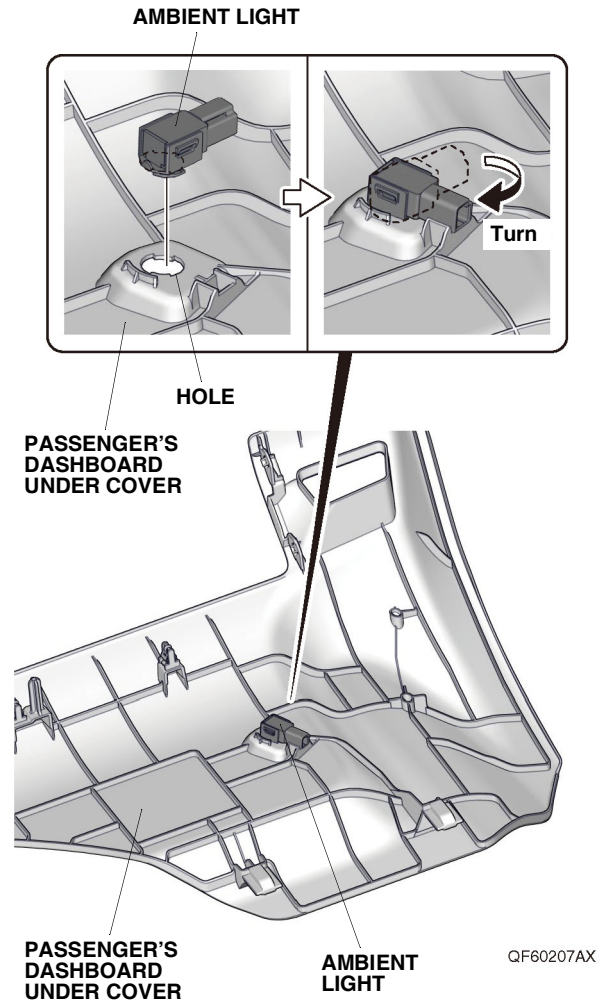


# Germain Honda of College Hills

7. Remove the passenger's dashboard under cover.

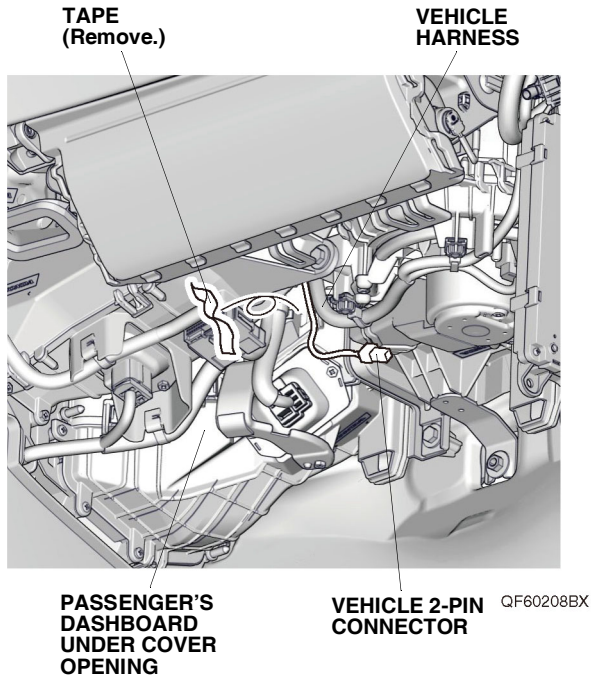


8. Install the ambient light on the passenger's dashboard under cover as shown.

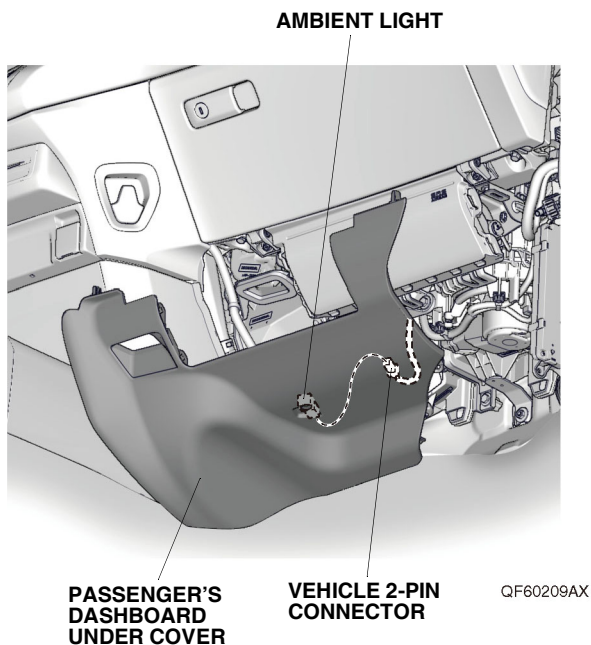


# Germain Honda of College Hills

9. Remove the tape to free the vehicle 2-pin connector.





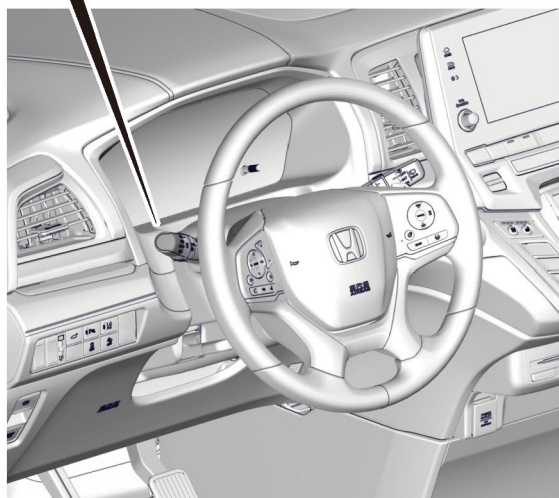
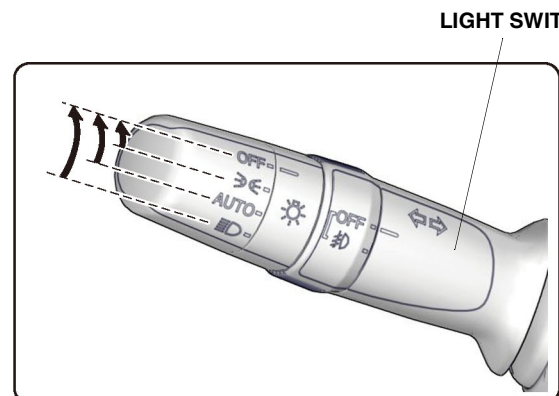
10. Plug the vehicle 2-pin connector into the ambient light, then install the passenger's dashboard under cover.



11. Check that all wire harnesses are routed properly and all connectors are plugged in.
12. Install all removed parts except for the front bulkhead cover and the intake air tube.
13. Connect the negative cable to the battery.
14. Install the front bulkhead cover and the intake air tube.
15. Press and hold the audio unit power button for 2 seconds to restore the audio and navi (if equipped) system functions.
16. Set the clock on vehicles without navigation.
17. If necessary, restore the systems back to normal operation as described in the service information.

## HOW TO OPERATE

- With the light switch set to the  or  position, the ambient lights are on.
- When the headlight switch is in the AUTO position, the ambient lights are on with the parking lights or headlights.
- If the ambient lights do not come on, check the fuse and all of the connectors.



QF60210AX