



## INSTALLATION INSTRUCTIONS

Accessory  
**PATTERN PROJECTORS**  
 P/N 08V27-THR-100

Application  
**2021 ODYSSEY**

Publications No.  
**VERSION 1**  
 Issue Date  
**JUL 2020**

### PARTS LIST

Right light  
 (Identification mark: R)



Left light  
 (Identification mark: L)



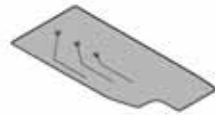
2 Pattern projector harnesses



2 Brackets



Template



2 Fuse labels



2 Wire ties



2 Wire ties with clip



4 Self-tapping screws



3 Urethane tapes



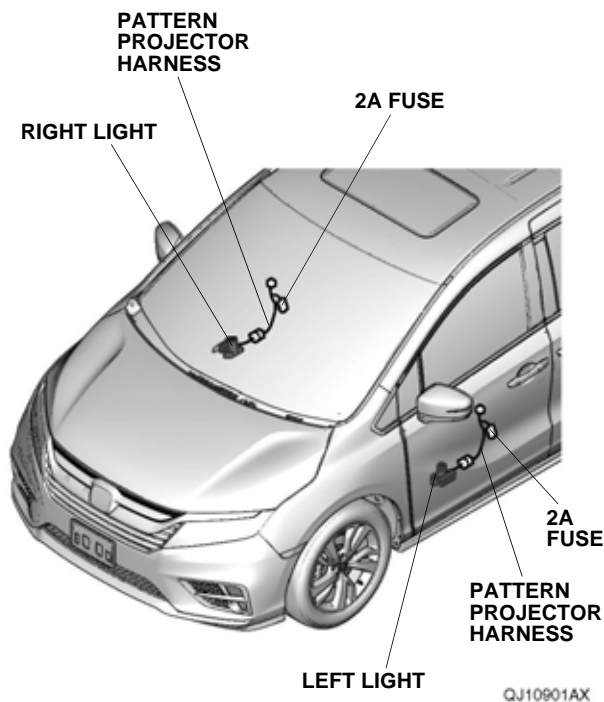
## TOOLS AND SUPPLIES REQUIRED

Phillips screwdriver  
10 mm Open end wrench  
Shop towel  
Isopropyl alcohol  
Masking tape  
Diagonal cutters  
Pushpin  
3 mm and 5 mm Drill bits  
Eye protection (face shield, safety goggles, etc.)  
File  
20 mm Hole saw  
Drill  
Small flat-tip screwdriver  
Ruler  
Scissors

*The following tools are available through the Honda Tool and Equipment Program. On the iN, click on Service > Service Bay > Tool and Equipment Program, then enter the number under "Search." Or, call 888-424-6857.*

- Trim Tool Set (T/N SOJATP2014)
- Plastic Trim Tool (T/N SILTRIMTL10)

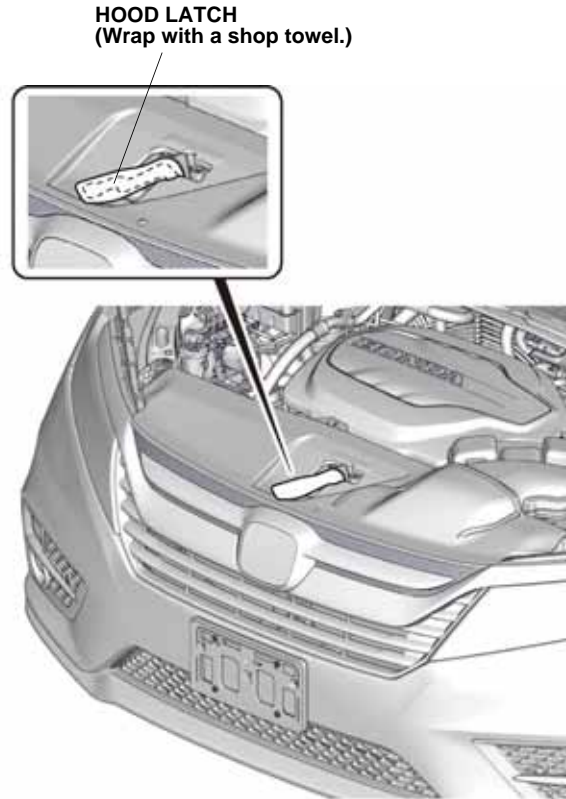
### **Illustration of the Pattern Projectors Installed in the Vehicle**



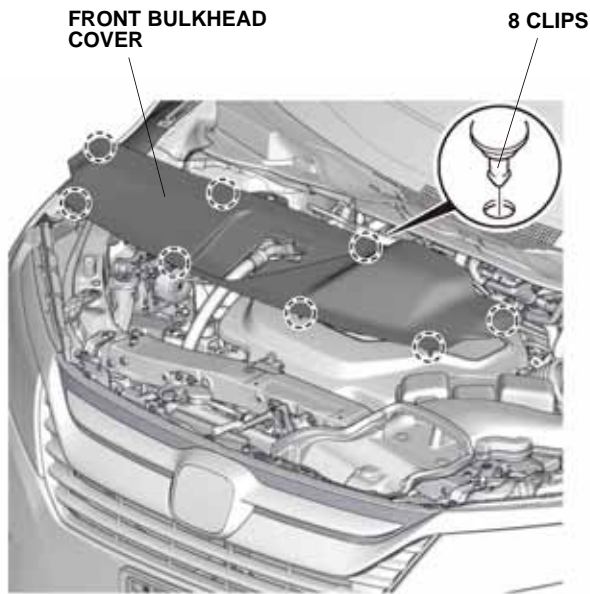
## INSTALLATION

**Customer Information:** The information in this installation instruction is intended for use only by skilled technicians who have the proper tools, equipment, and training to correctly and safely add equipment to your vehicle. These procedures should not be attempted by "do-it-yourselfers."

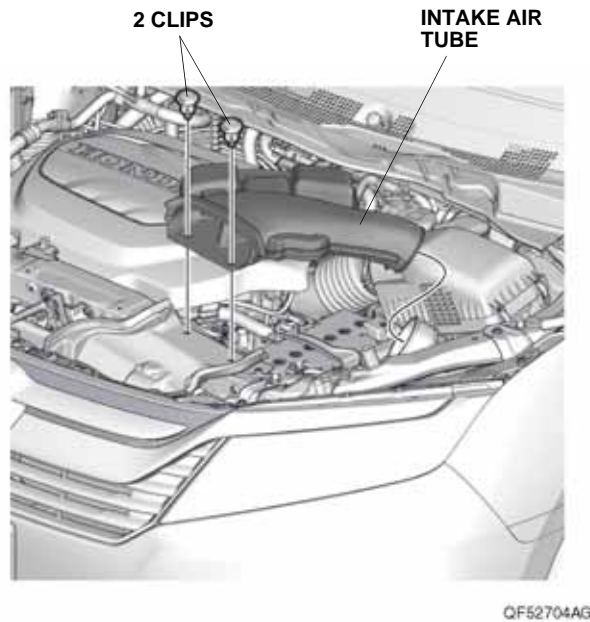
1. Disconnect the negative cable from the battery:
  - Wrap a shop towel around the hood latch.



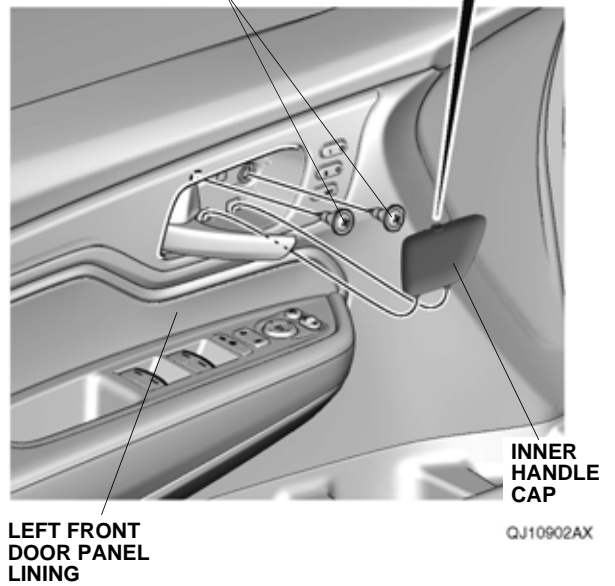
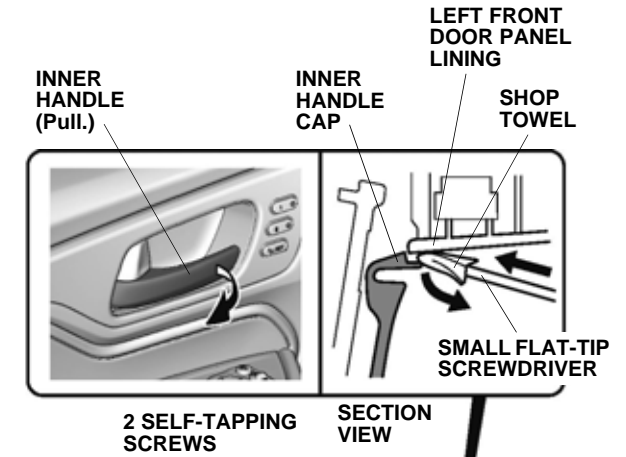
- Remove the front bulkhead cover.



- Remove the intake air tube.
- Disconnect the negative cable from the battery.



2. Gently pull the inner handle on the left front door panel lining, and use a small flat-tip screwdriver wrapped with a shop towel to remove the inner handle cap.

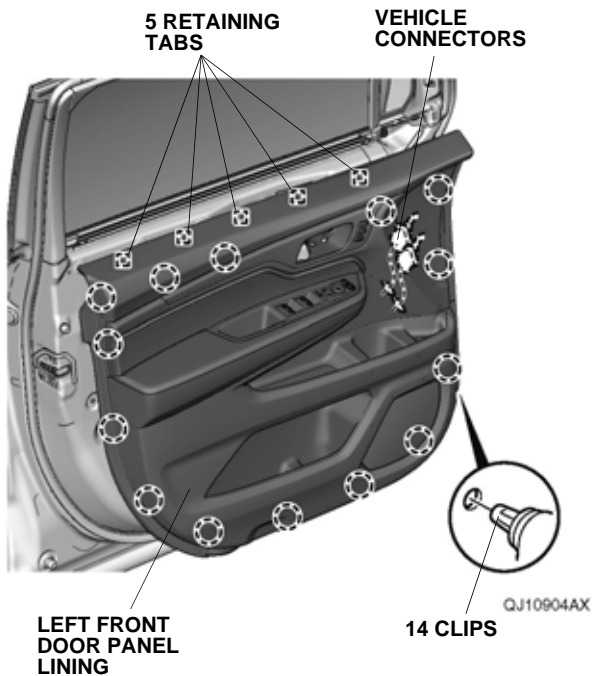


3. Remove the two self-tapping screws from the left front door panel lining.

4. Remove the lid and the self-tapping screw.

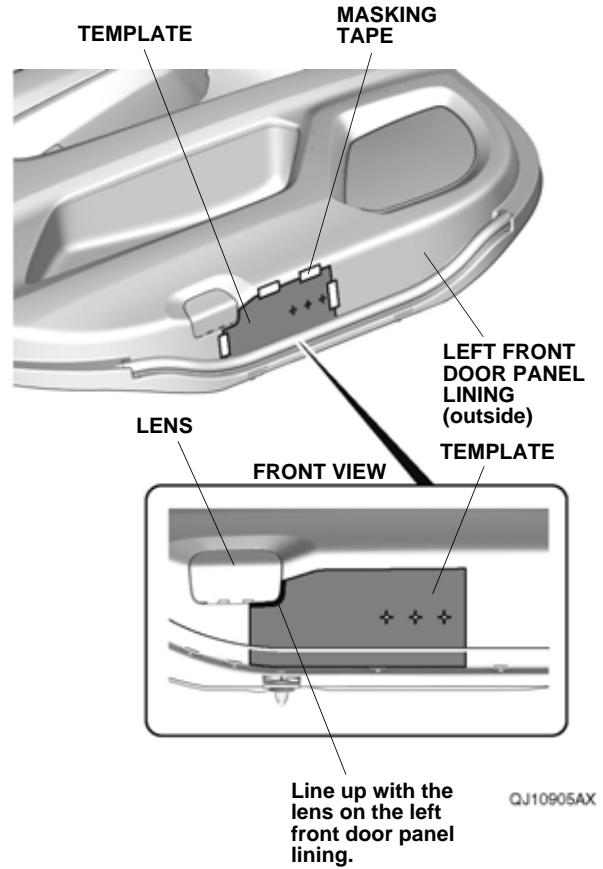


5. Remove the left front door panel lining, and unplug the vehicle connectors.



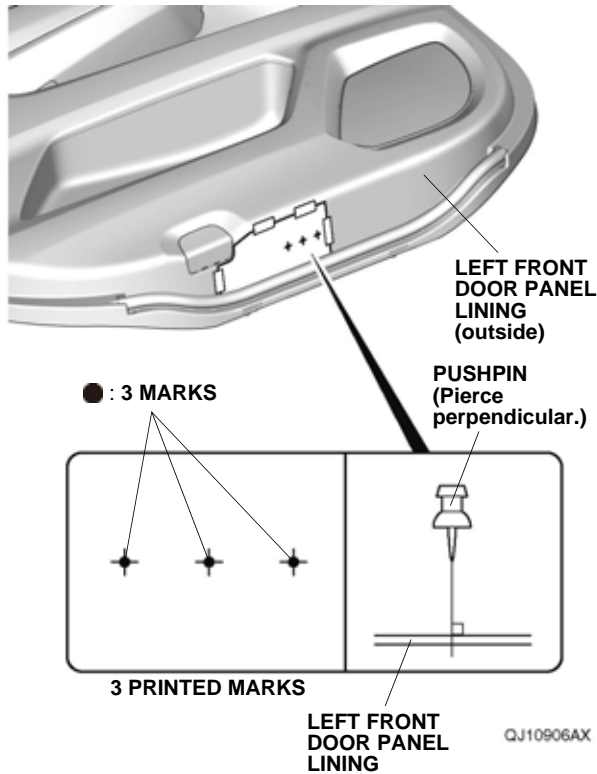
6. Repeat steps 2 through 5 on the right side of vehicle.

7. Line up the template with the left front door panel lining as shown. Secure the template to the left front door panel lining with masking tape.



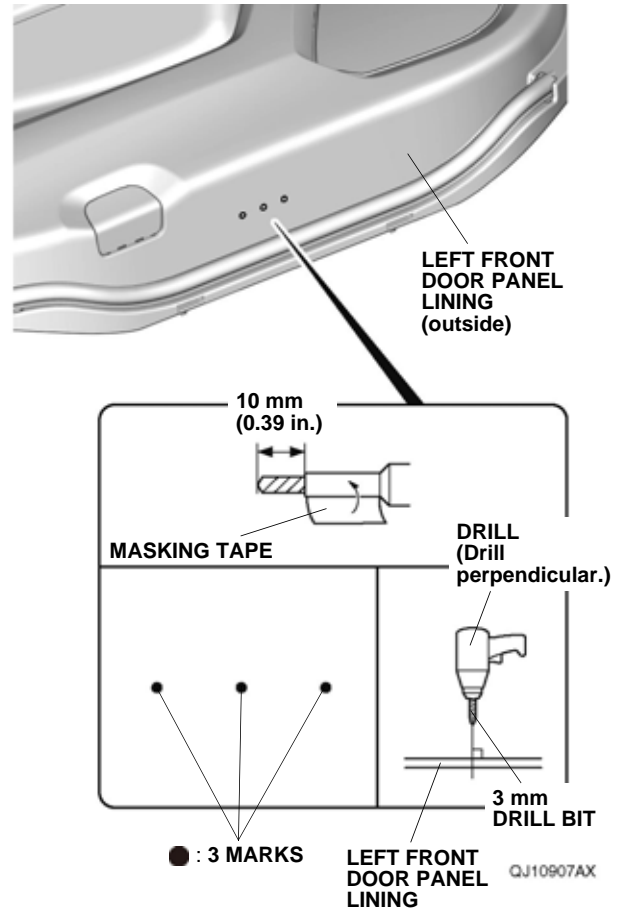
8. Using a pushpin, pierce the center of the three printed marks on the template. Remove the template.

NOTE: Make sure to pierce the printed marks perpendicular to the left front door panel lining.



9. While wearing eye protection, drill the three pierced marks with a 3 mm drill bit from the outside of the left front door panel lining.

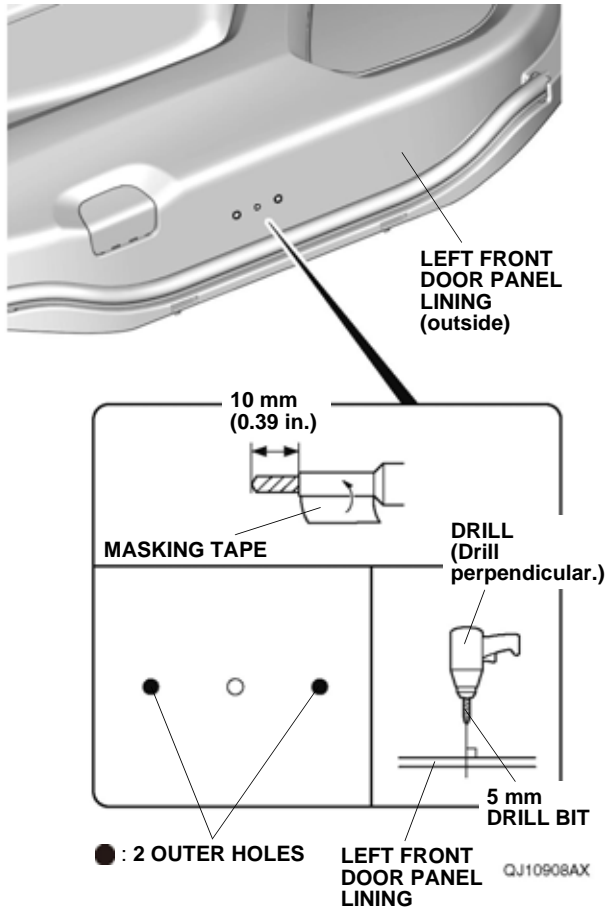
NOTE: Wrap masking tape around drill bit 10 mm (0.39 in.) from the tip, or use a drill stop. Make sure to drill perpendicular to the left front door panel lining.



10. While wearing eye protection, enlarge the two outer 3 mm holes with a 5 mm drill bit from the outside of the left front door panel lining. Remove any burrs.

NOTE:

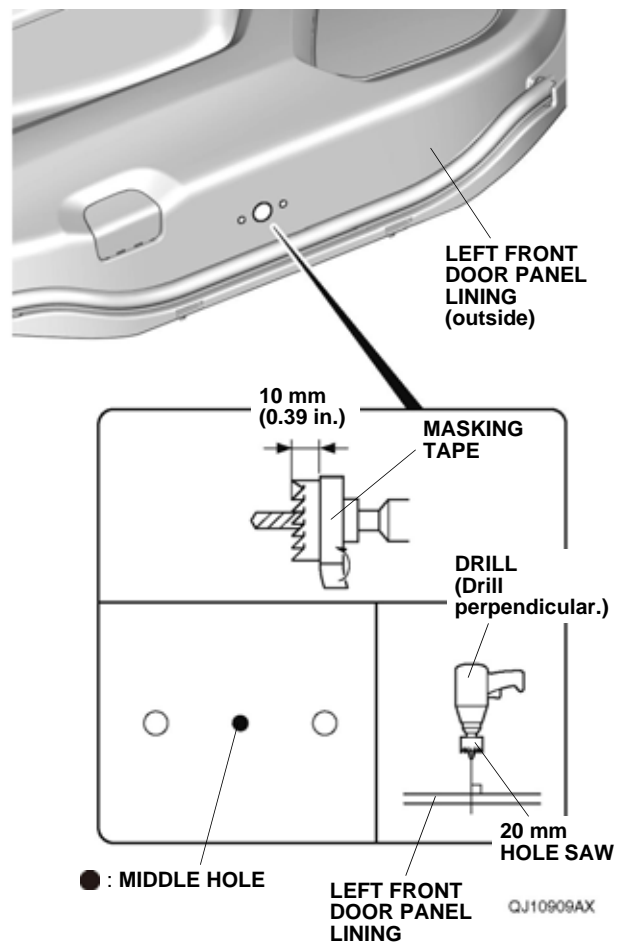
- Wrap masking tape around drill bit 10 mm (0.39 in.) from the tip, or use a drill stop. Make sure to drill perpendicular to the left front door panel lining.
- Make sure to drill the correct position.



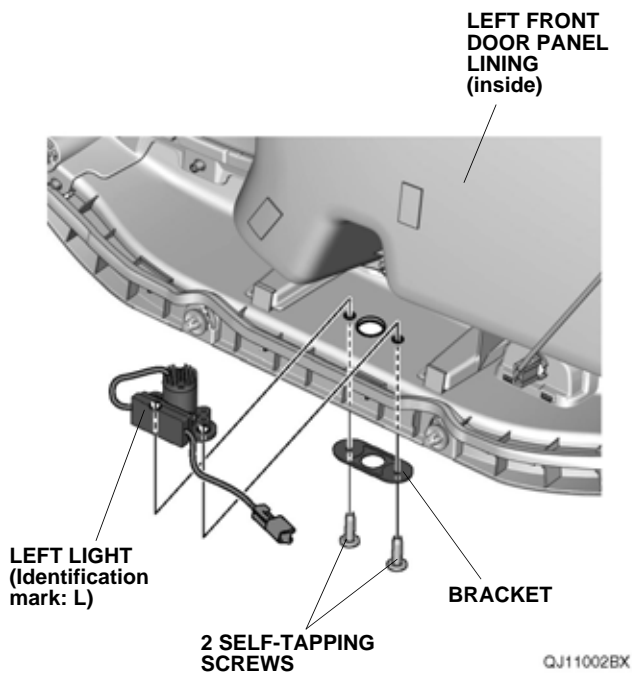
11. While wearing eye protection, enlarge the middle 3 mm hole with a 20 mm hole saw from the outside of the left front door panel lining. Remove any burrs.

NOTE:

- Wrap masking tape around hole saw 10 mm (0.39 in.) from the tip, or use a drill stop. Make sure to drill perpendicular to the left front door panel lining.
- Make sure to drill the correct position.



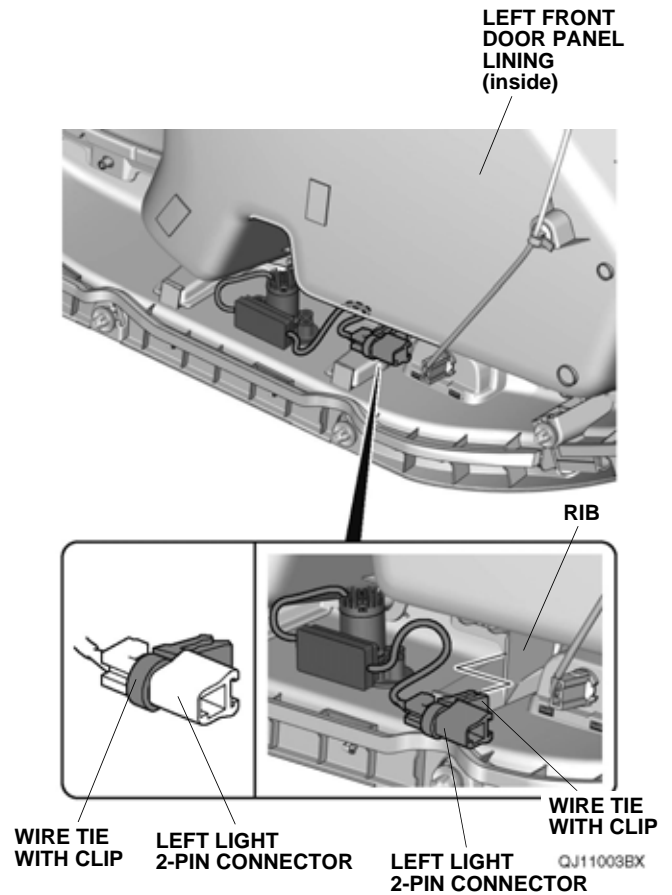
12. Install the left light to the left front door panel lining with two self-tapping screws and one bracket.  
NOTE: Make sure to check the identification mark before installation, and install the left light in the correct orientation.



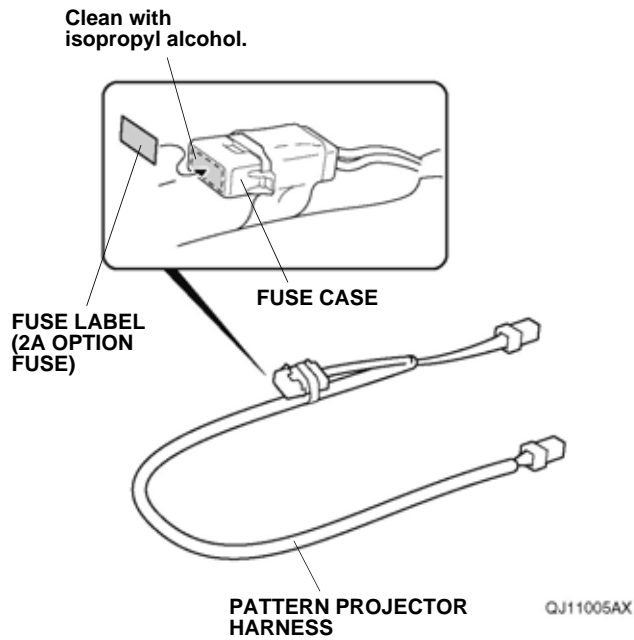
13. Secure the left light 2-pin connector to the rib on the left front door panel lining with one wire tie with clip as shown.

NOTE:

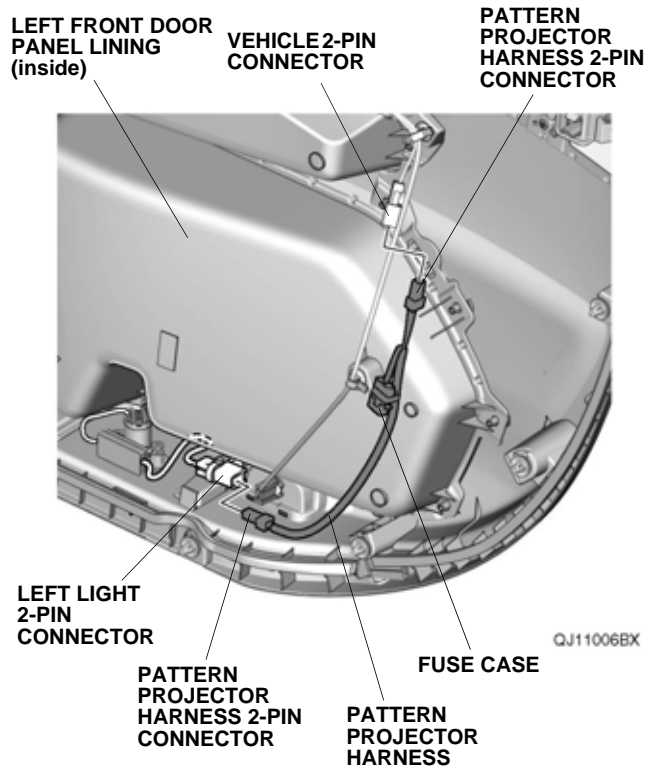
- Make sure to install the wire tie with clip in the correct position and orientation.
- Position the wire tie with clip in the center of the rib.



14. Using isopropyl alcohol on a shop towel, thoroughly clean the fuse case where the fuse label will attach. Attach the fuse label (2A OPTION FUSE) to the fuse case on the pattern projector harness as shown.

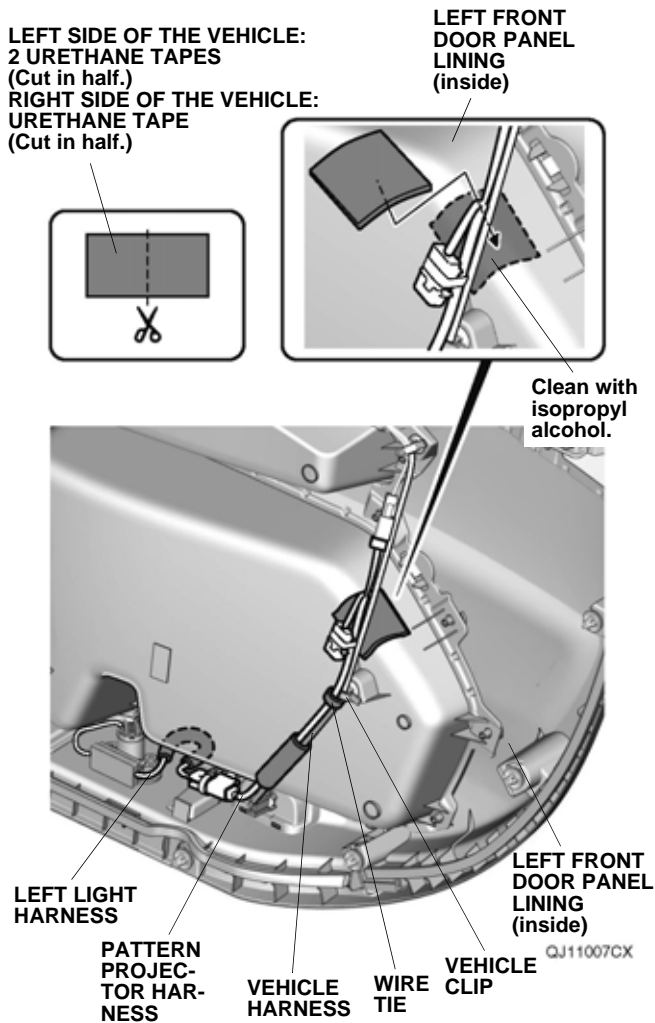


15. Plug the two pattern projector harness 2-pin connectors into the vehicle 2-pin connector and left light 2-pin connector.
- NOTE: Install the pattern projector harness with the fuse case closest to the vehicle 2-pin connector as shown.





16. Secure the pattern projector harness to the vehicle harness with one wire tie.



17. Using scissors, cut two pieces of urethane tape in half. Wrap one piece around the left light harness and the other piece around both the pattern projector harness and the vehicle harness as shown. Attach another piece to the left front door panel lining as shown.  
NOTE: Make sure the left light harness is tucked under the door panel lining.
18. Repeat steps 7 through 17 on the right front door panel lining.

19. Check that all wire harnesses are routed properly and all connectors are plugged in.
20. Install all removed parts except for the front bulkhead cover and the intake air tube.
21. Connect the negative cable to the battery.
22. Install the front bulkhead cover and the intake air tube.
23. Press and hold the audio unit power button for 2 seconds to restore the audio and navi (if equipped) system functions.
24. Set the clock on vehicles without navigation.
25. If necessary, restore the systems back to normal operation as described in the service information.

### Check the Operation of the Pattern Projectors

26. Make sure the light comes on when you open each front door.