



## INSTALLATION INSTRUCTIONS

Accessory  
ILLUMINATED  
DOOR SILL TRIM

Application  
2021 ODYSSEY

Publications No.  
**VERSION 1**  
Issue Date  
**JUL 2020**

### PARTS LIST

Front and Rear Illuminated Door Sill Trim Kit  
P/N 08E12-THR-100  
P/N 08E12-THR-100B

Right front illuminated door sill trim



Left front illuminated door sill trim



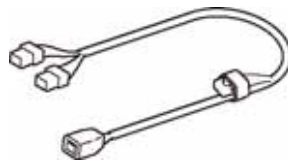
Right rear illuminated door sill trim



Left rear illuminated door sill trim



2 Front door sill trim harnesses



2 Rear door sill trim harnesses



2 Fuse labels



22 Wire ties



2 Urethane tapes



3 Aluminum tapes



Front Illuminated Door Sill Trim Kit  
P/N 08E12-THR-100A

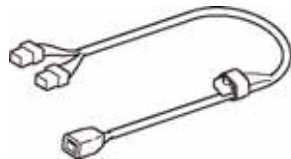
Right front illuminated door sill trim



Left front illuminated door sill trim



2 Front door sill trim harnesses



2 Fuse labels



10 Wire ties



2 Urethane tapes



## TOOLS AND SUPPLIES REQUIRED

Diagonal cutters

Ratchet

10 mm and 14 mm Sockets

10 mm Open end wrench

Isopropyl alcohol

Scissors

Shop towel

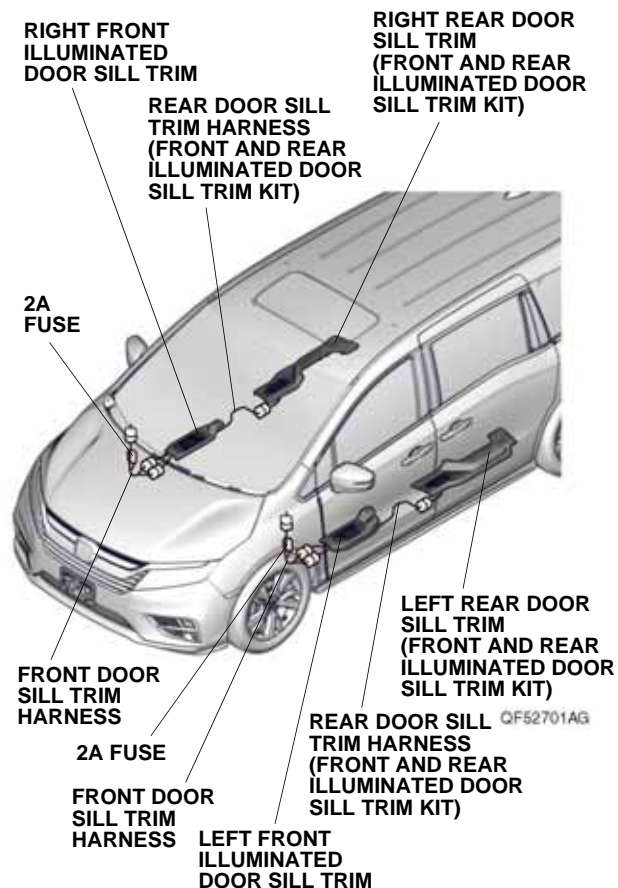
Ruler

Torque wrench

*The following tools are available through the Honda Tool and Equipment Program. On the iN, click on Service > Service Bay > Tool and Equipment Program, then enter the number under "Search." Or, call 888-424-6857.*

- Trim Tool Set (T/N SOJATP2014)
- Plastic Trim Tool (T/N SILTRIMTL10)

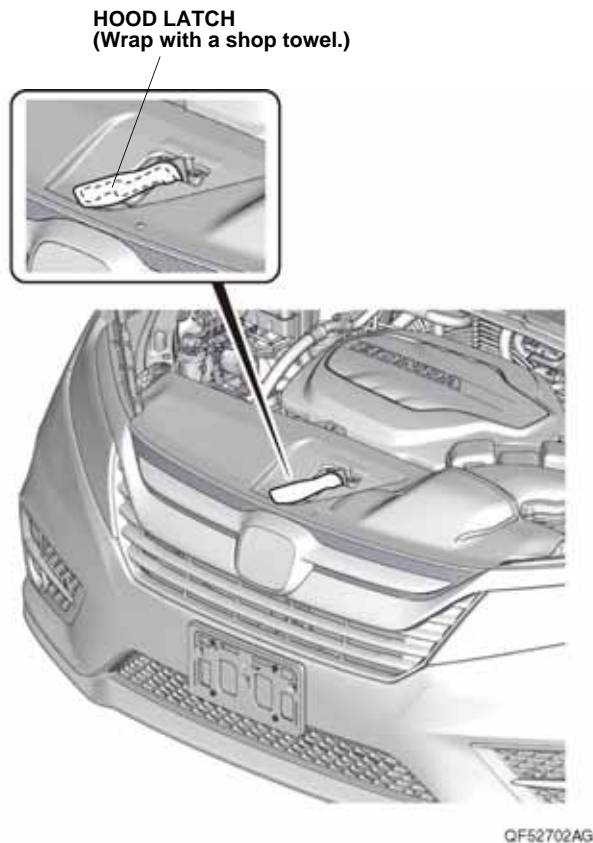
## Illustration of the Illuminated Door Sill Trim on the Vehicle



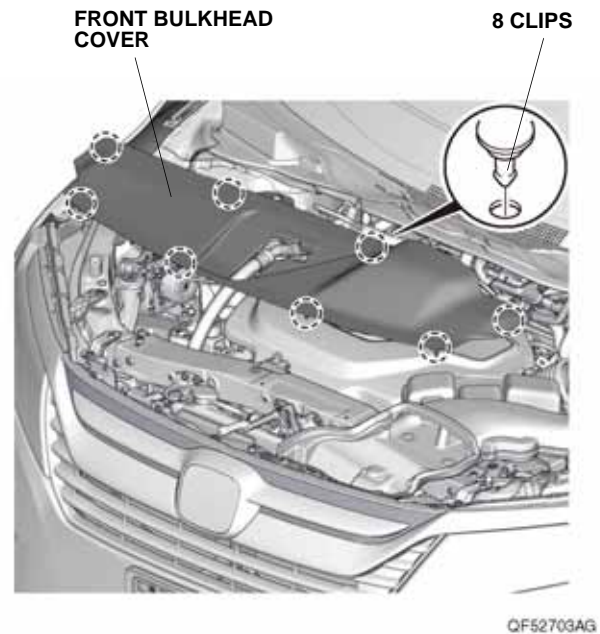
## INSTALLATION

**Customer Information:** The information in this installation instruction is intended for use only by skilled technicians who have the proper tools, equipment, and training to correctly and safely add equipment to your vehicle. These procedures should not be attempted by “do-it-yourselfers.”

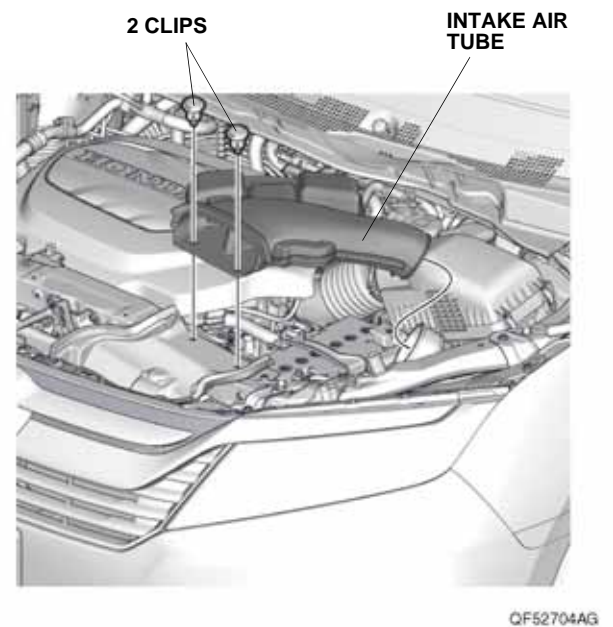
1. Disconnect the negative cable from the battery:
  - Wrap a shop towel around the hood latch.



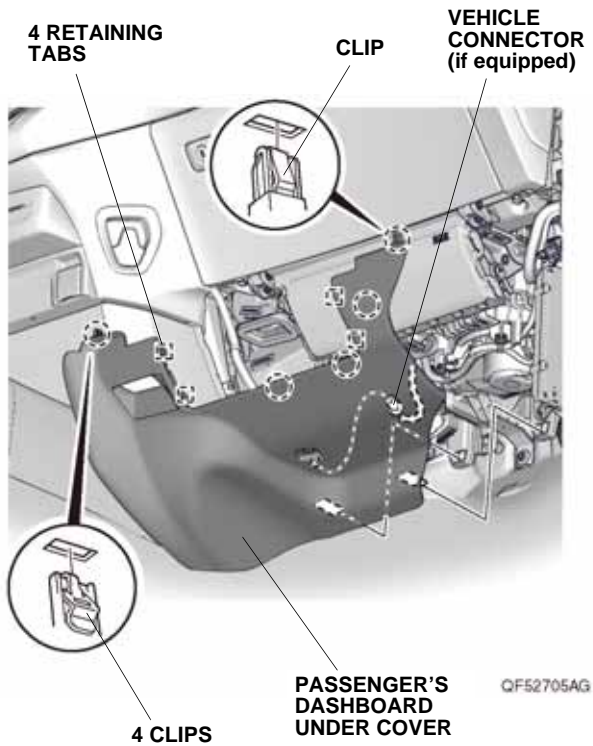
- Remove the front bulkhead cover.



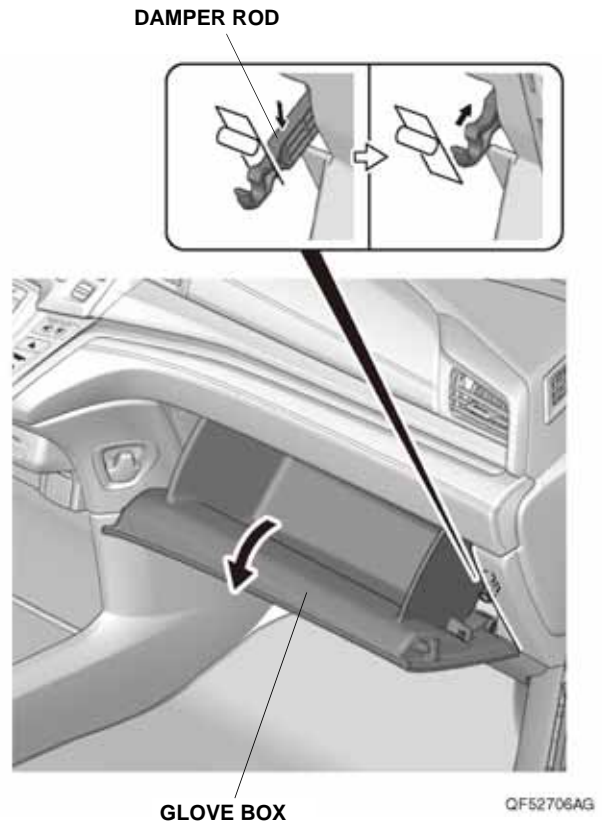
- Remove the intake air tube.
- Disconnect the negative cable from the battery.



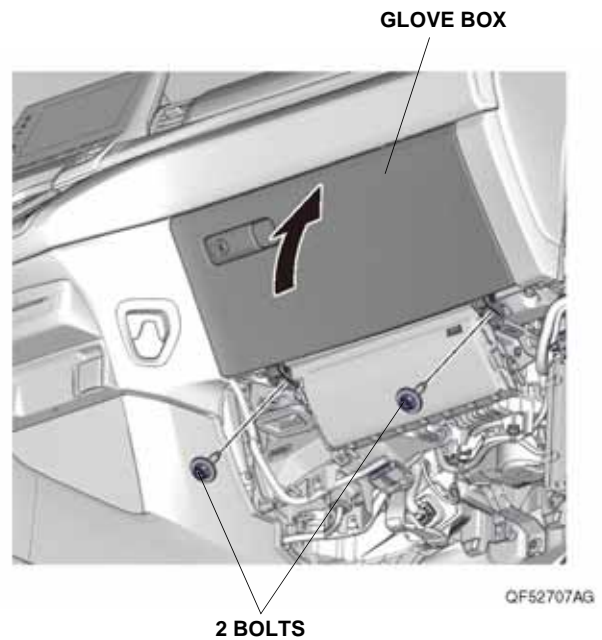
2. Remove the passenger's dashboard under cover, and unplug the vehicle connector (if equipped).



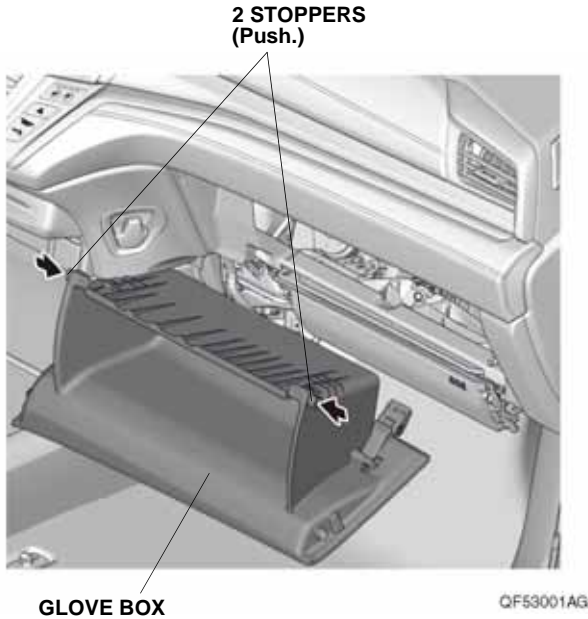
3. Open the glove box, and release the damper rod from the glove box.



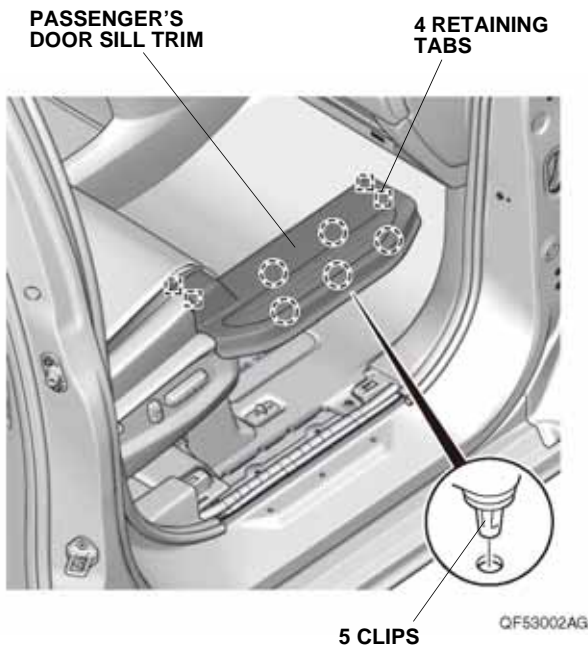
4. Close the glove box, and remove the two bolts from the glove box.



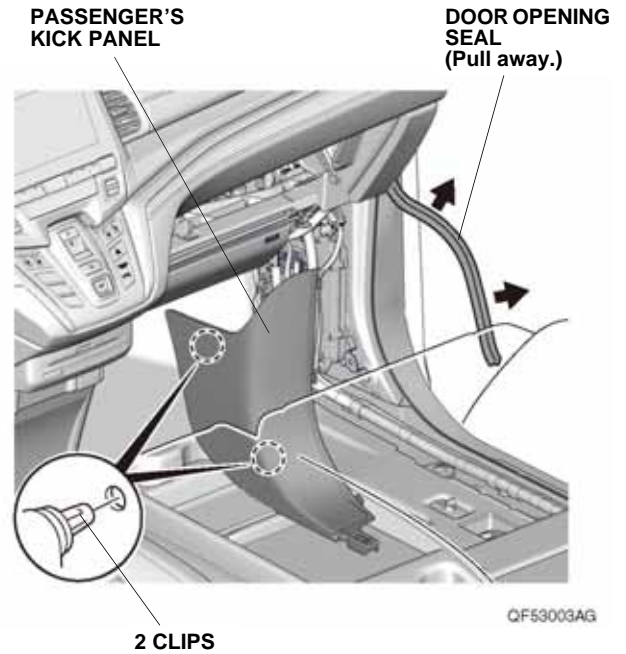
5. Remove the glove box.



6. Remove the passenger's door sill trim.



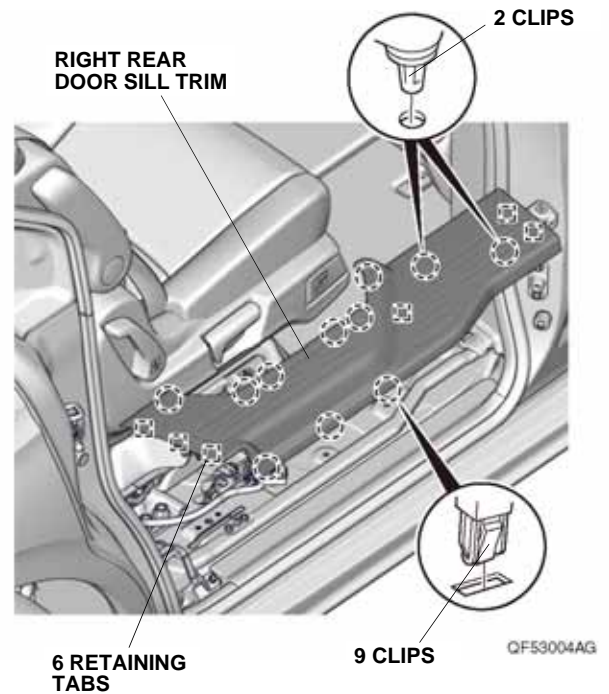
7. Pull away the door opening seal, and remove the passenger's kick panel.



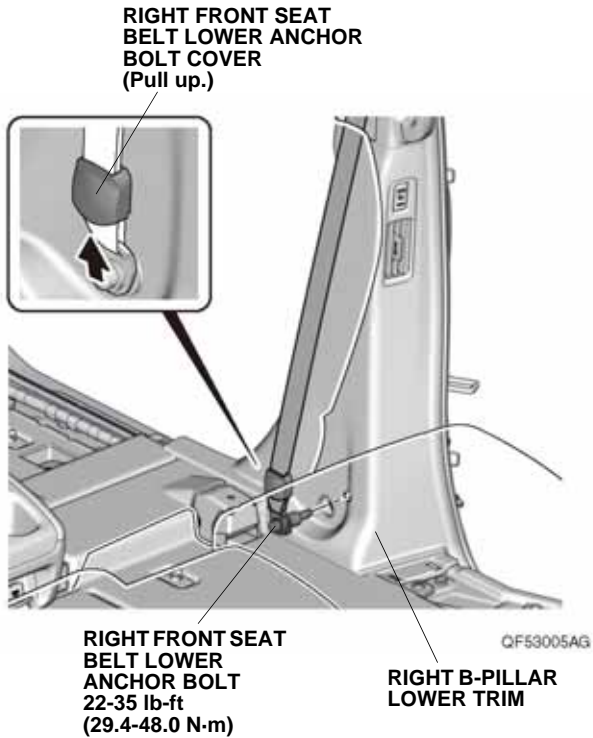
Front and rear illuminated door sill trim kit, continue with step 8; otherwise, go to step 11.

Front and rear illuminated door sill trim kit

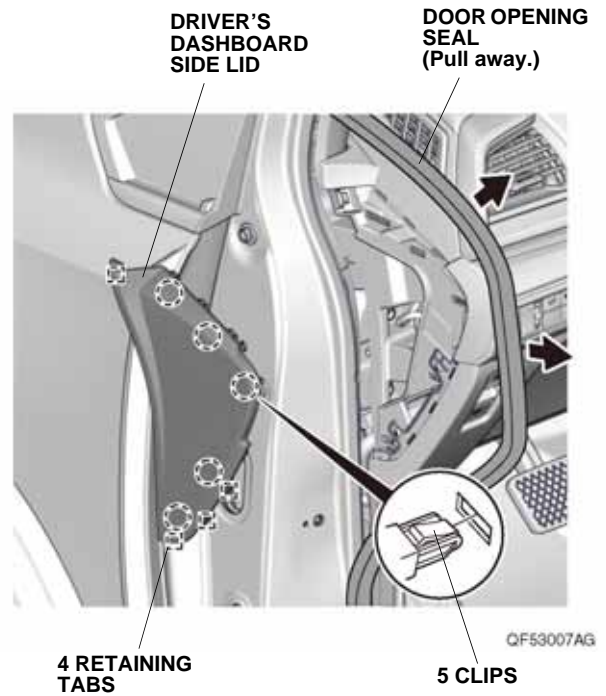
8. Remove the right rear door sill trim.



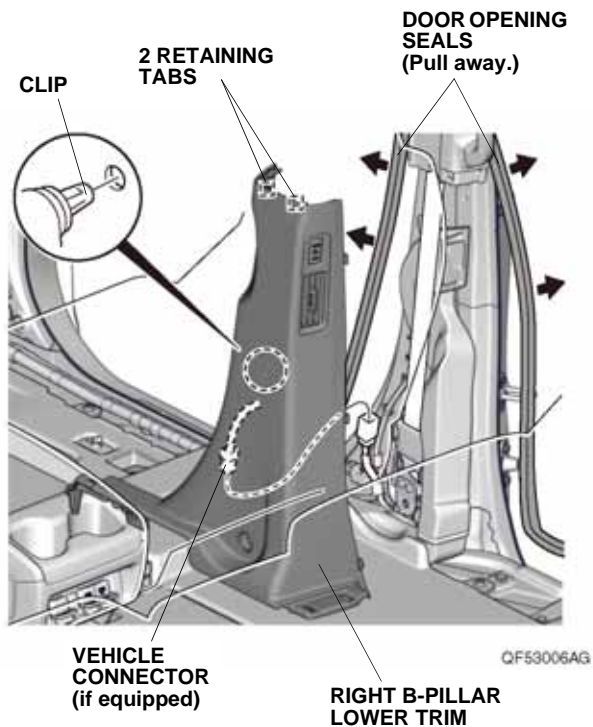
9. Pull up the right front seat belt lower anchor bolt cover, and remove the right front seat belt lower anchor bolt.



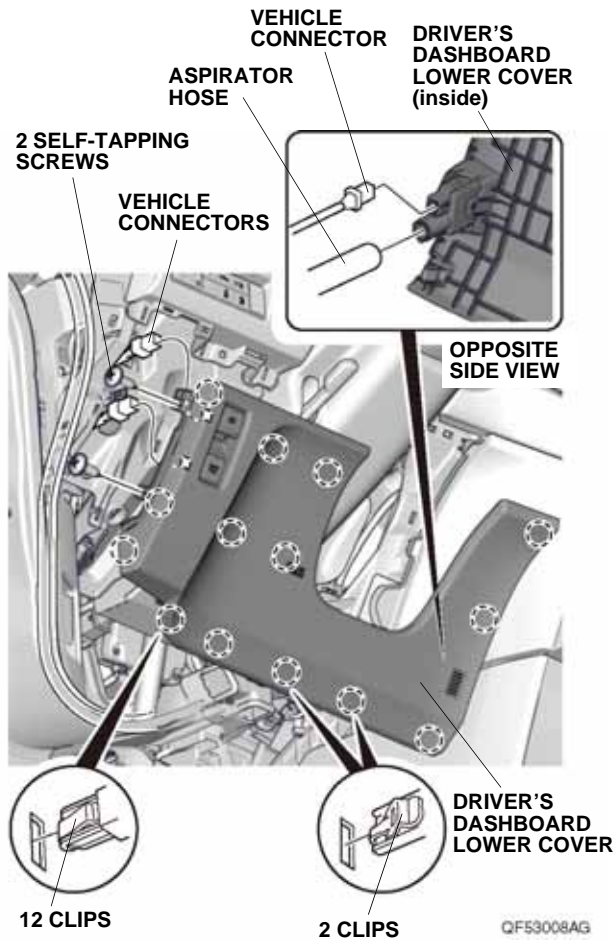
11. Pull away the door opening seal, and remove the driver's dashboard side lid.



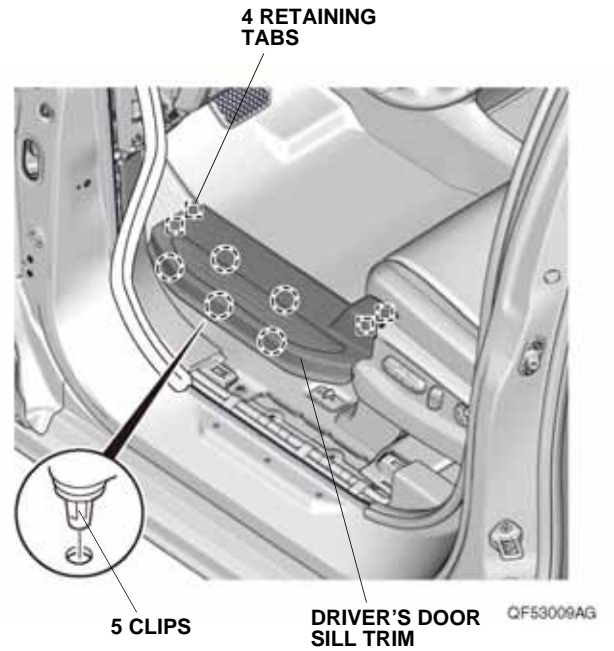
10. Pull away the door opening seals, and remove the right B-pillar lower trim, and unplug the vehicle connector (if equipped).



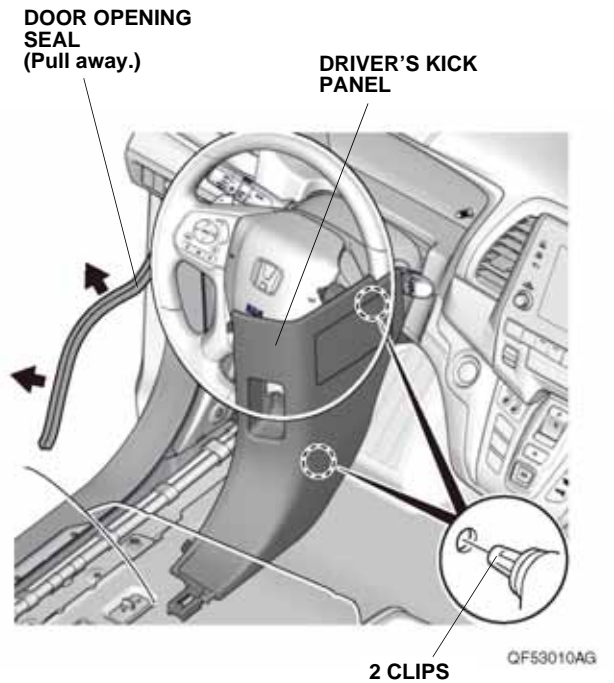
12. Remove the driver's dashboard lower cover, and unplug the vehicle connectors.



13. Remove the driver's door sill trim.



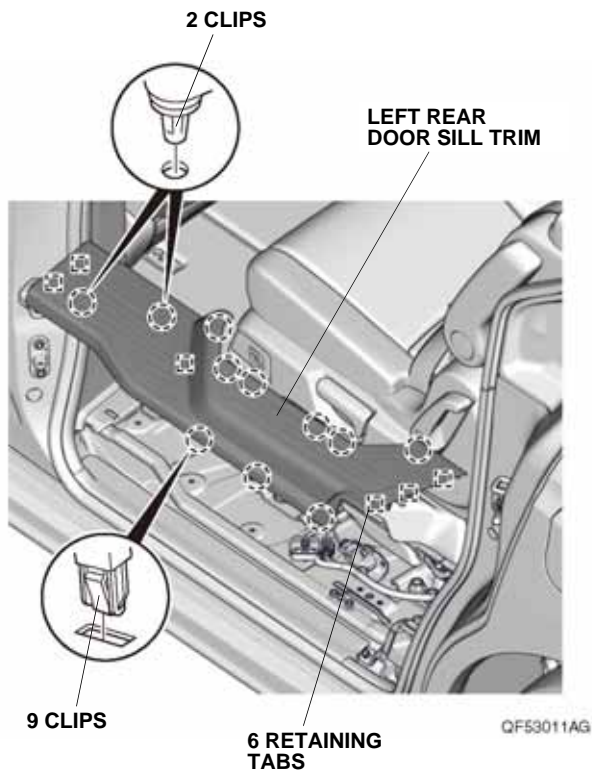
14. Pull away the door opening seal, and remove the driver's kick panel.



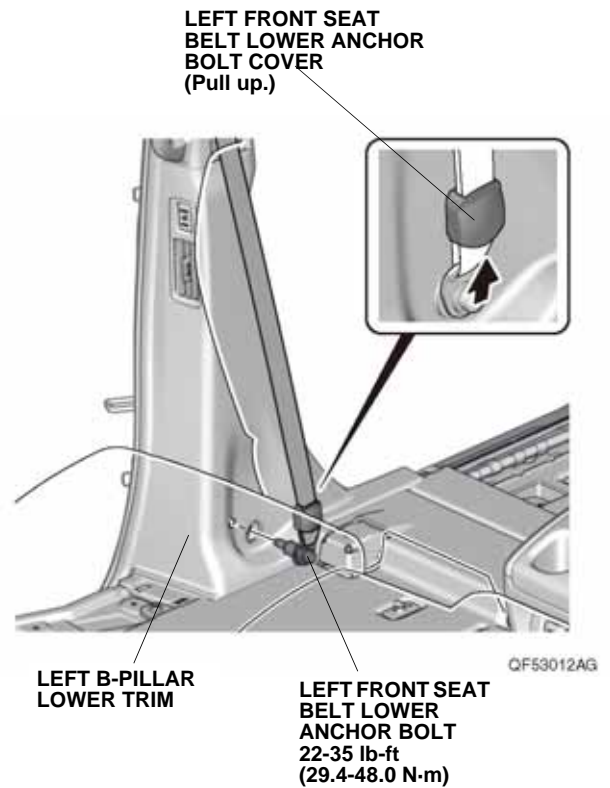
Front and rear illuminated door sill trim kit, continue with step 15; otherwise, go to step 18.

## Front and rear illuminated door sill trim kit

15. Remove the left rear door sill trim.

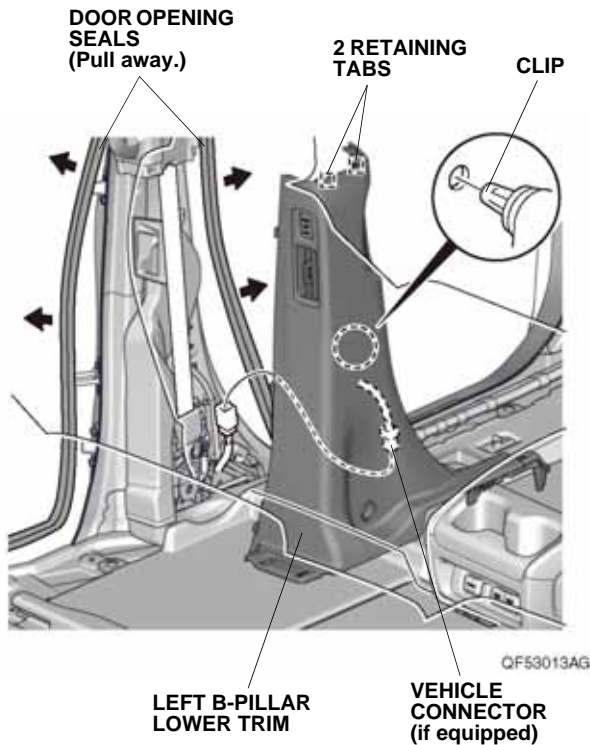


16. Pull up the left front seat belt lower anchor bolt cover, and remove the left front seat belt lower anchor bolt.

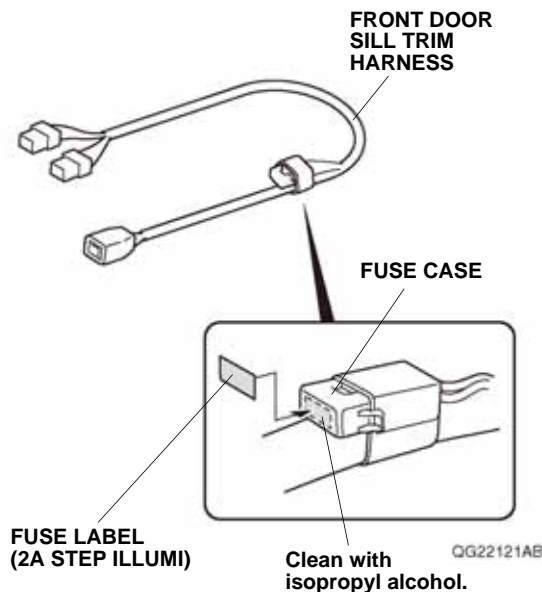




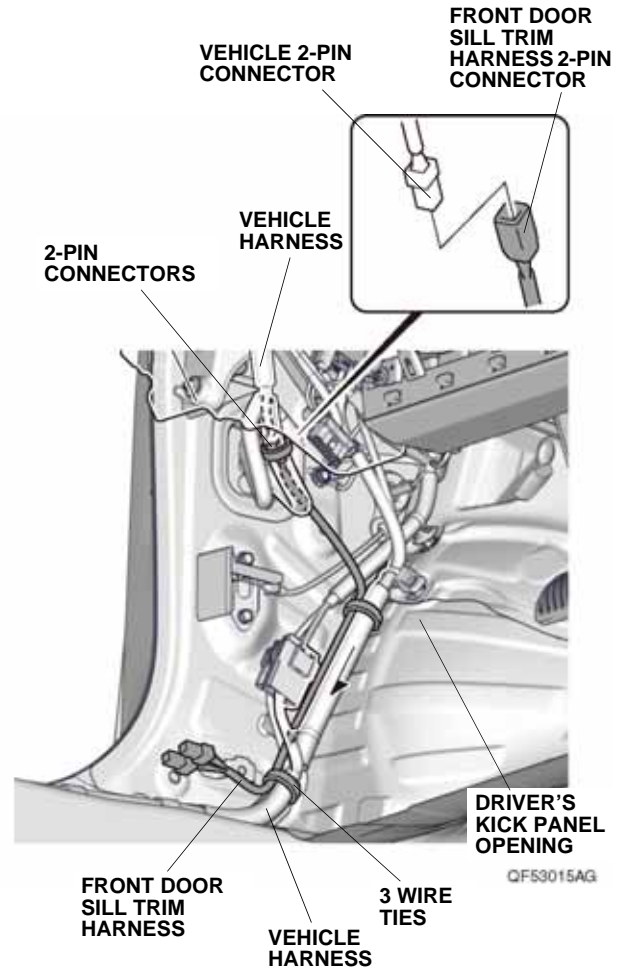
17. Pull away the door opening seals, and remove the left B-pillar lower trim, and unplug the vehicle connector (if equipped).



18. Using isopropyl alcohol on a shop towel, thoroughly clean the fuse case where the fuse label will attach. Attach the fuse label (2A STEP ILLUMI) to the fuse case on the front door sill trim harness.



19. Plug the vehicle 2-pin connector into the front door sill trim harness 2-pin connector, and secure the 2-pin connectors to the vehicle harness with one wire tie.

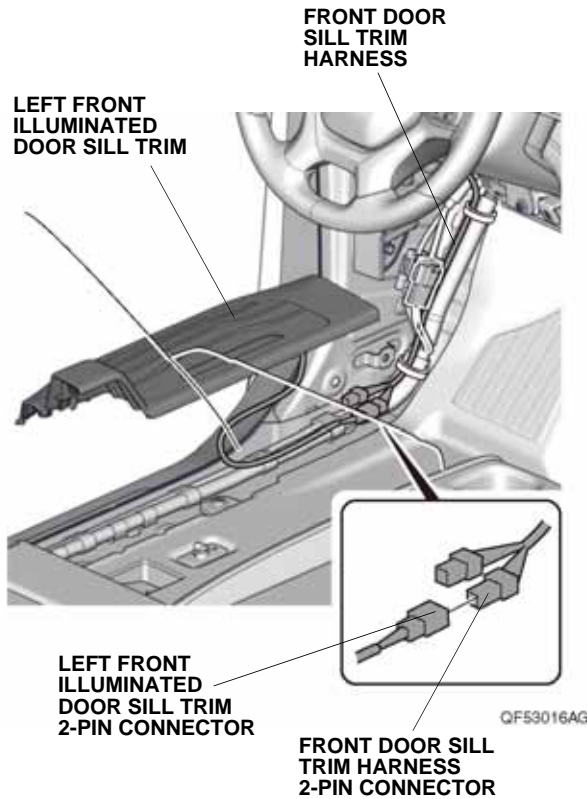


20. Route the front door sill trim harness along the vehicle harness, and secure it to the vehicle harness with two wire ties.

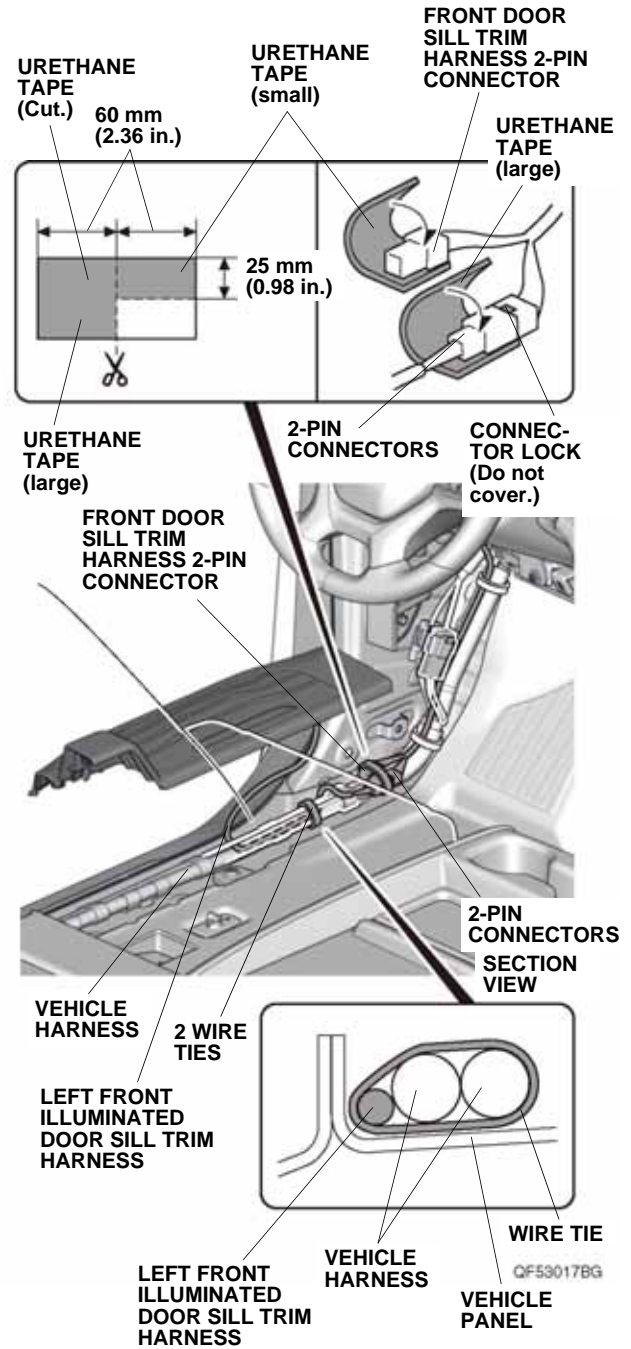
Front illuminated door sill trim kit, continue with step 21; otherwise, go to step 30.

## Front illuminated door sill trim kit

21. Plug the front door sill trim harness 2-pin connector into the left front illuminated door sill trim 2-pin connector.

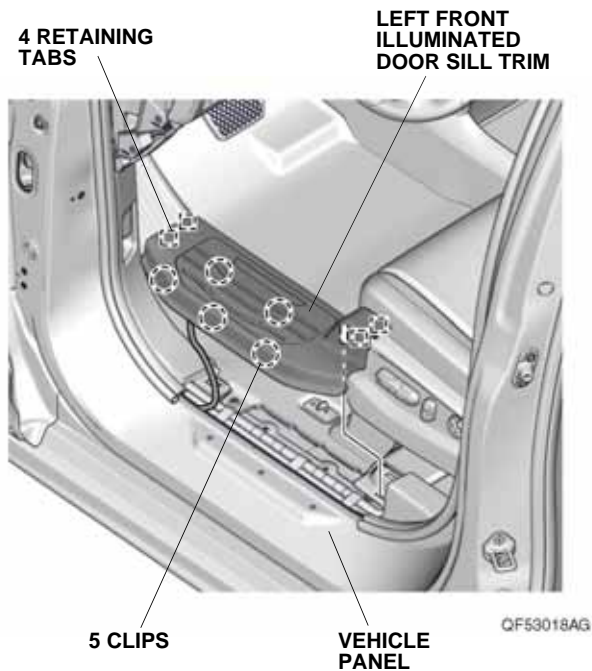


22. Using scissors, cut the urethane tape as shown. Wrap the urethane tape around the 2-pin connectors.

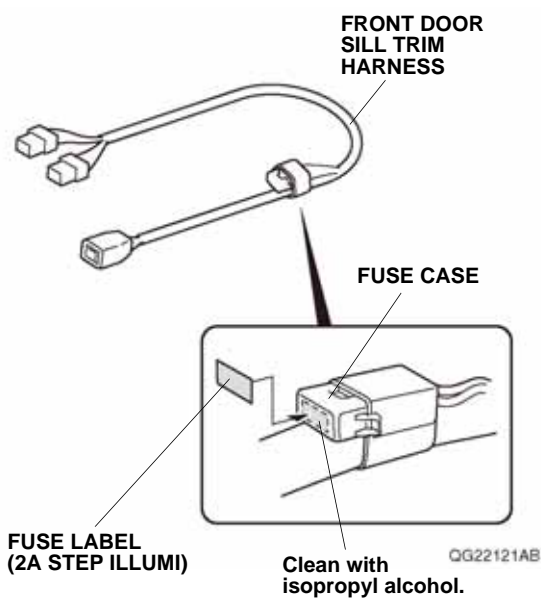


23. Secure the 2-pin connectors and the left front illuminated door sill trim harness to the vehicle harness with two wire ties.
24. Install the driver's kick panel and door opening seal.

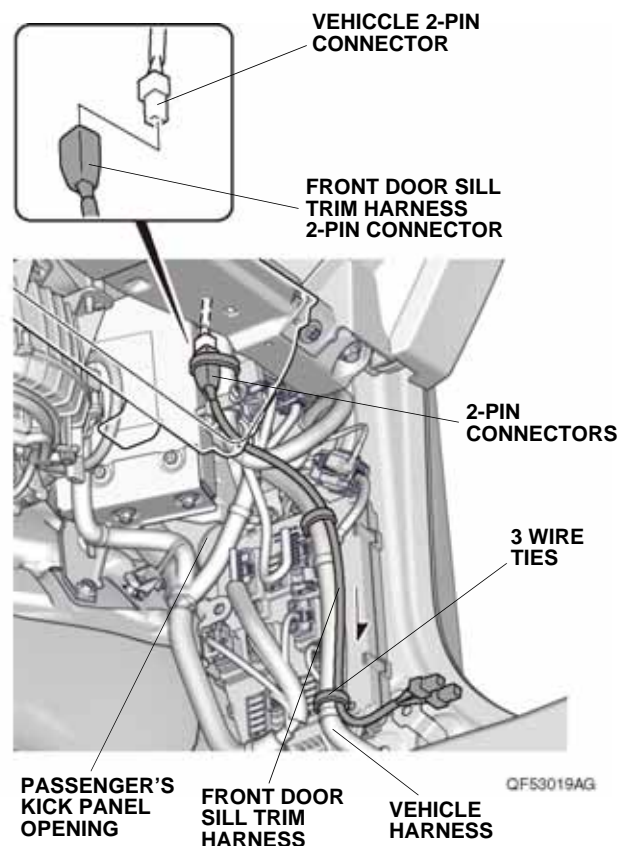
25. Install the left front illuminated door sill trim on the vehicle panel.  
NOTE: Make sure that the harness is not pinched.



26. Using isopropyl alcohol on a shop towel, thoroughly clean the fuse case where the fuse label will attach. Attach the fuse label (2A STEP ILLUMI) to the fuse case on the front door sill trim harness.



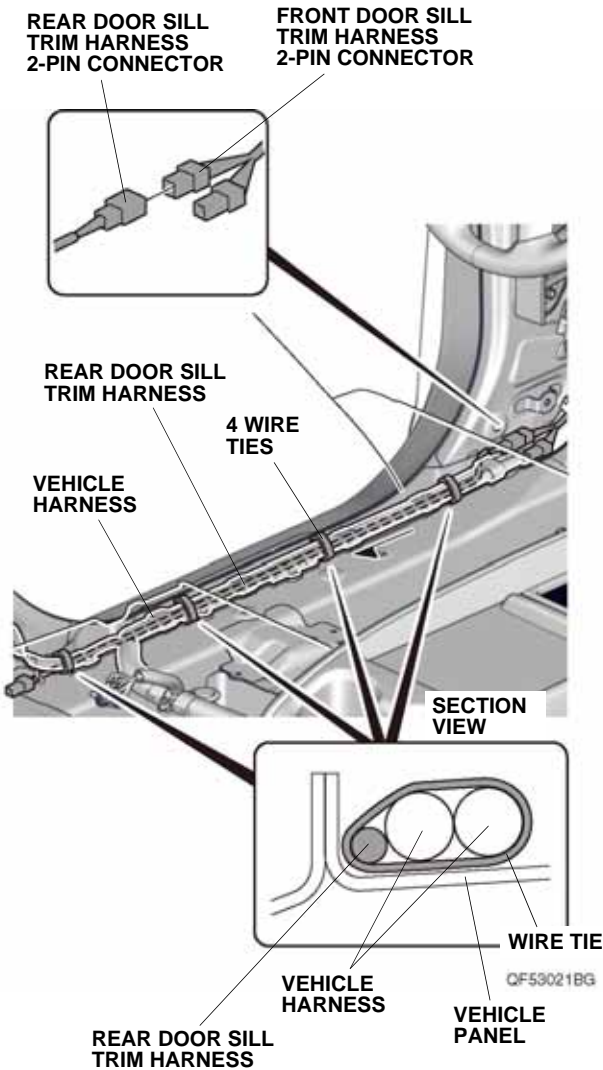
27. Plug the vehicle 2-pin connector into the front door sill trim harness 2-pin connector, and secure the 2-pin connectors to the vehicle harness with one wire tie.



28. Route the front door sill trim harness along the vehicle harness, and secure it to the vehicle harness with two wire ties.  
29. Repeat steps 21 through 25 on the right side of the vehicle. Go to step 50.

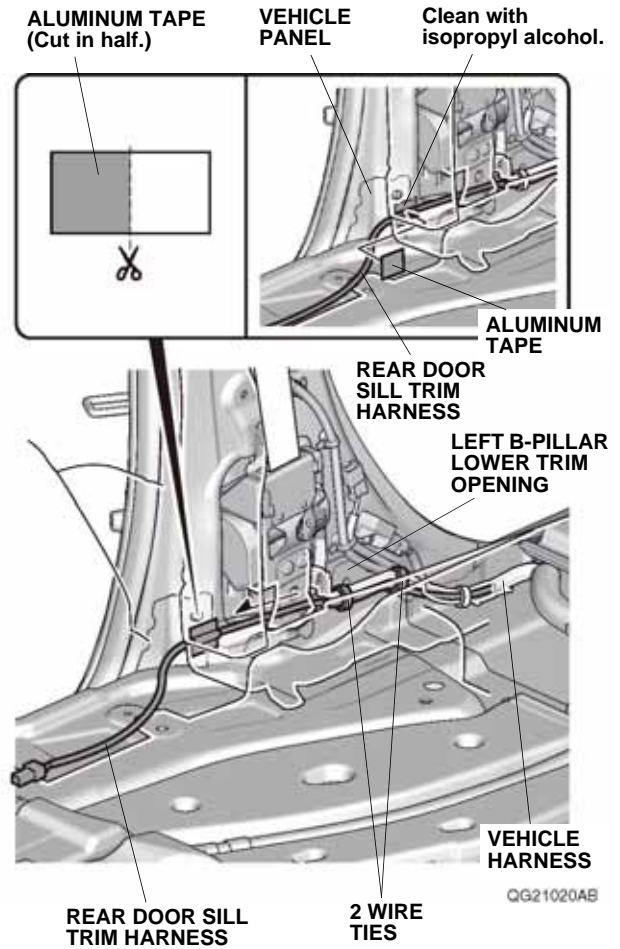
## Front and rear illuminated door sill trim kit

30. Plug the front door sill trim harness 2-pin connector into the rear door sill trim harness 2-pin connector.



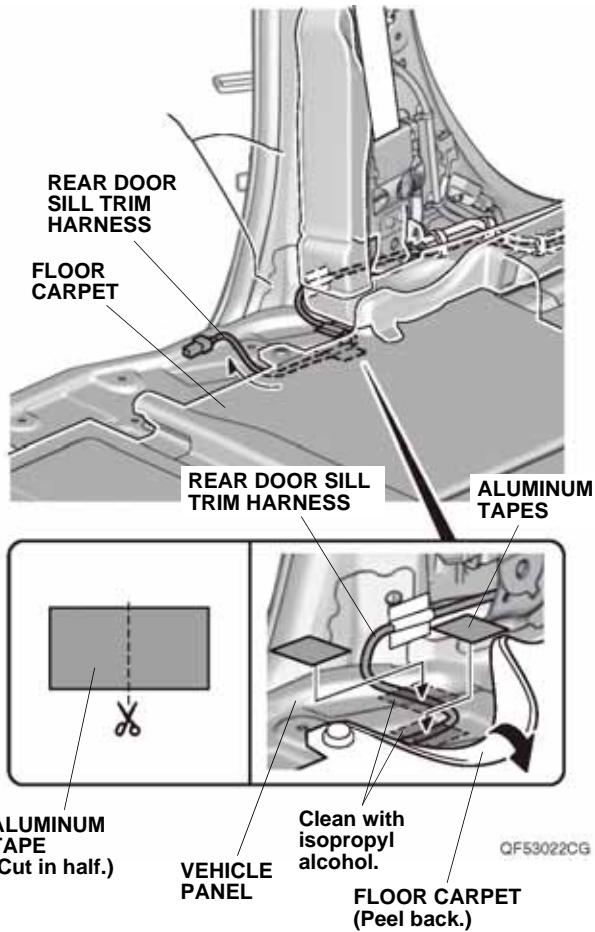
31. Route the rear door sill trim harness along the vehicle harness, and secure it to the vehicle harness with four wire ties.

32. Route the rear door sill trim harness, and secure it to the vehicle harness with two wire ties.



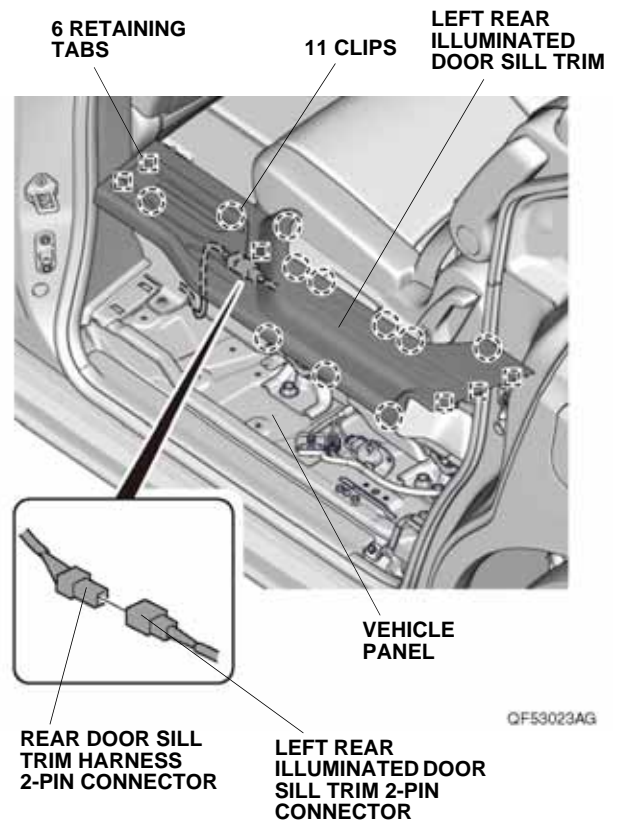
33. Using isopropyl alcohol on a shop towel, thoroughly clean the vehicle panel where the aluminum tape will attach.
34. Using scissors, cut one piece of aluminum tape in half. Secure the rear door sill trim harness to the vehicle panel with one half of aluminum tape as shown.

35. Route the rear door sill trim harness as shown.



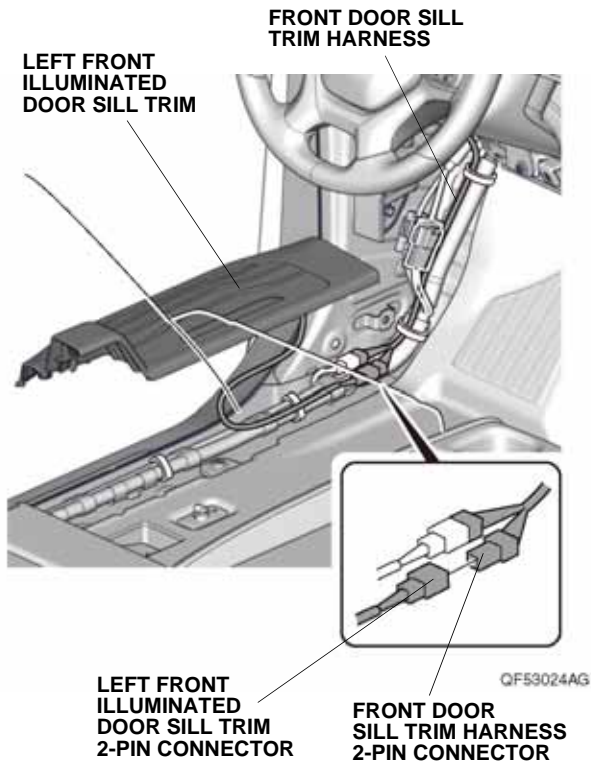
36. Peel back the floor carpet. Using isopropyl alcohol on a shop towel, thoroughly clean the vehicle panel where the aluminum tape will attach.
37. Using scissors, cut one piece of aluminum tape in half. Secure the rear door sill trim harness to the vehicle panel with two halves of aluminum tape as shown.

38. Install the left B-pillar lower trim and door opening seals.
39. Plug the rear door sill trim harness 2-pin connector into the left rear illuminated door sill trim 2-pin connector.

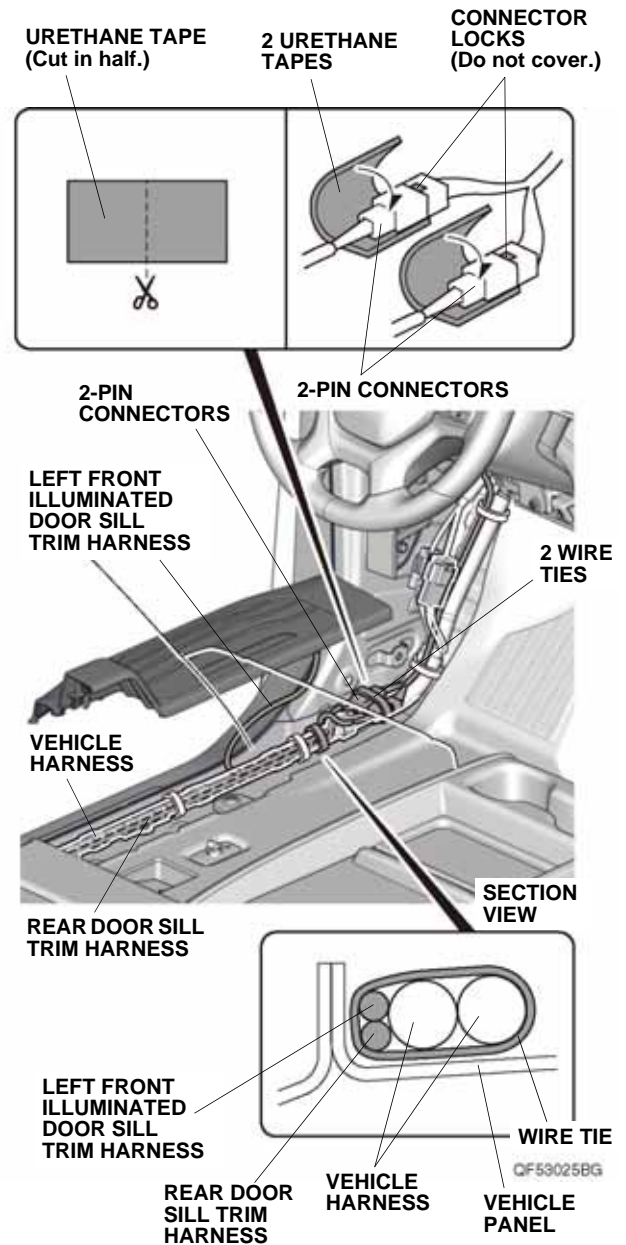


40. Install the left rear illuminated door sill trim on the vehicle panel.  
NOTE: Make sure that the harness is not pinched.

41. Plug the front door sill trim harness 2-pin connector into the left front illuminated door sill trim 2-pin connector.

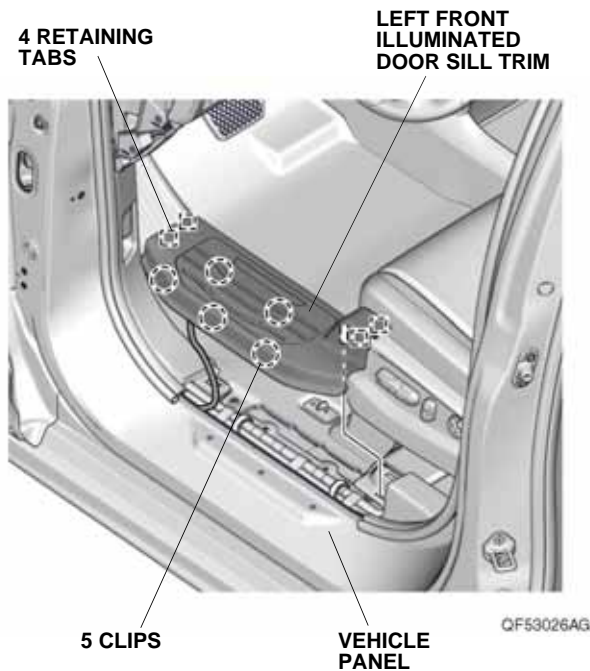


42. Using scissors, cut one piece of urethane tape in half, and attach the two halves of urethane tape to the 2-pin connectors as shown.

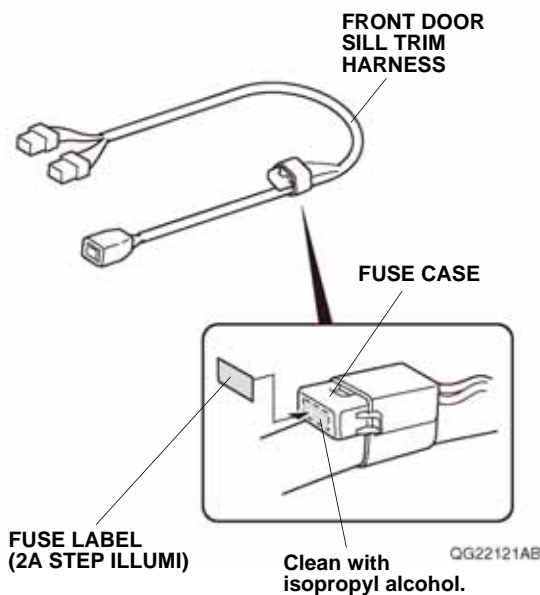


43. Secure the 2-pin connectors, left front illuminated door sill trim harness, and rear door sill trim harness to the vehicle harness with two wire ties.
44. Install the driver's kick panel and door opening seal.

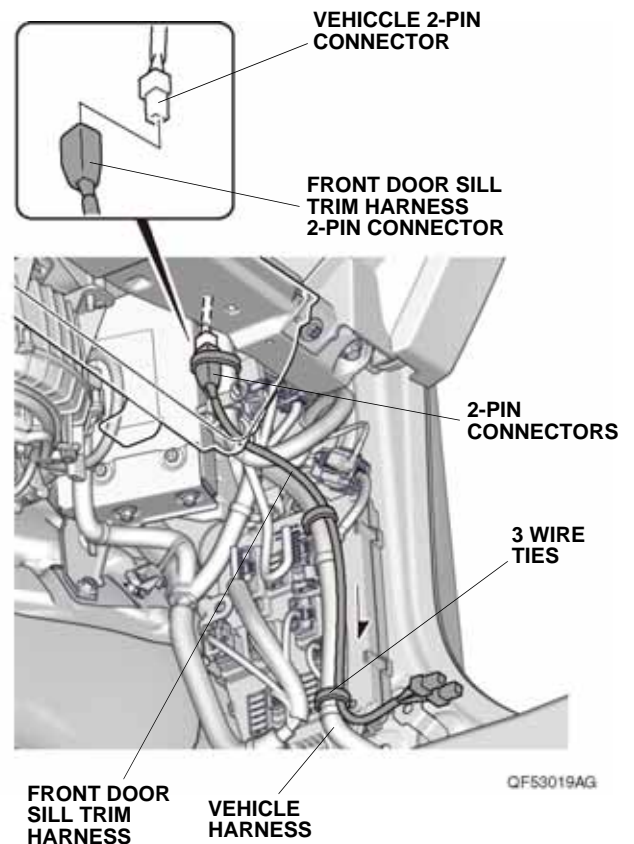
45. Install the left front illuminated door sill trim on the vehicle panel.  
NOTE: Make sure that the harness is not pinched.



46. Using isopropyl alcohol on a shop towel, thoroughly clean the fuse case where the fuse label will attach. Attach the fuse label (2A STEP ILLUMI) to the fuse case on the front door sill trim harness.



47. Plug the vehicle 2-pin connector into the front door sill trim harness 2-pin connector, and secure the 2-pin connectors to the vehicle harness with one wire tie.



48. Route the front door sill trim harness along the vehicle harness, and secure it to the vehicle harness with two wire ties.  
49. Repeat steps 30 through 45 on the right side of the vehicle.

50. Check that all wire harnesses are routed properly and all connectors are plugged in.
51. Install all removed parts except for the front bulkhead cover and the intake air tube.
52. Connect the negative cable to the battery.
53. Install the front bulkhead cover and the intake air tube.
54. Press and hold the audio unit power button for 2 seconds to restore the audio and navi (if equipped) system functions.
55. Set the clock on vehicles without navigation.
56. If necessary, restore the systems back to normal operation as described in the service information.

## **Check the Operation of the Illuminated Door Sill Trims**

57. Make sure the light comes on when you open each door.