



## INSTALLATION INSTRUCTIONS

Accessory	Application	Publications No.
CHROME DOOR TRIM P/N 08F57-THR-100	2021 ODYSSEY	VERSION 1
		Issue Date JUL 2020

### PARTS LIST

Left front trim



Right front trim



Left rear trim



Right rear trim



8 Clips



4 Alcohol swabs



### TOOLS AND SUPPLIES REQUIRED

Masking tape

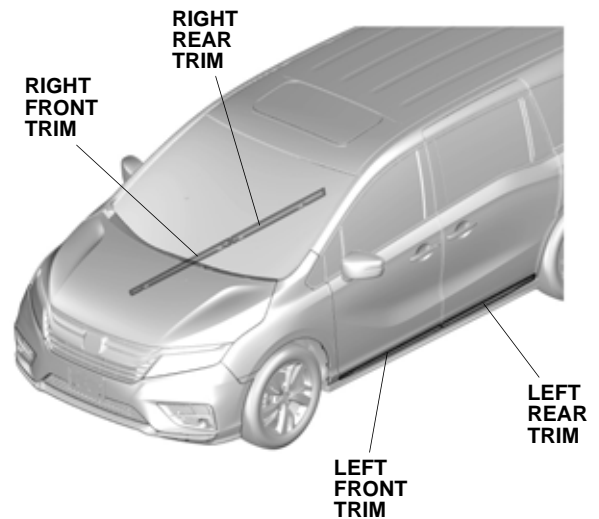
Ruler

Utility knife

*The following tool is available through the Honda Tool and Equipment Program. On the iN, click on Service > Service Bay > Tool and Equipment Program, then enter the number under "Search." Or, call 888-424-6857.*

Rubber Roller (T/N MHLE54D)

### Illustration of the Chrome Door Trim Installed on the Vehicle



QF60950AH

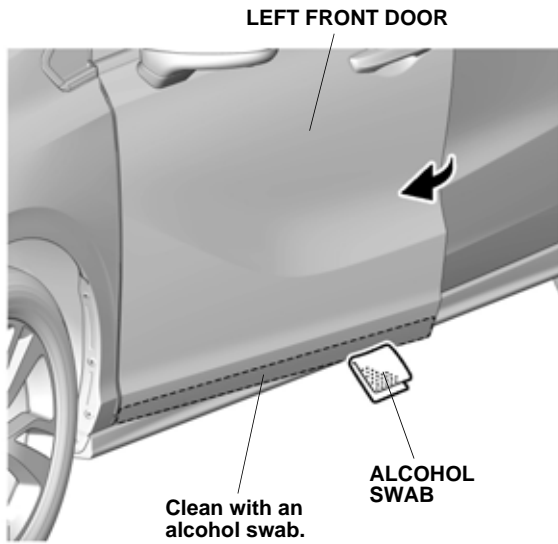
### INSTALLATION

**Customer Information:** The information in this installation instruction is intended for use only by skilled technicians who have the proper tools, equipment, and training to correctly and safely add equipment to your vehicle. These procedures should not be attempted by "do-it-yourselfers."

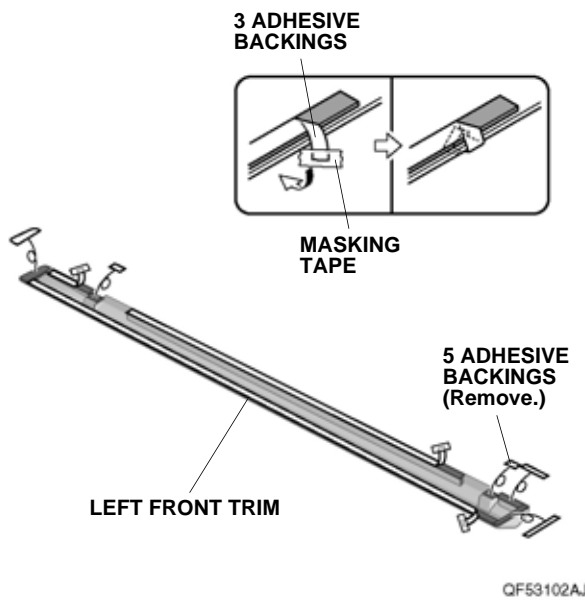
#### NOTE:

- Be careful not to damage the body paint finish.
- This kit should be installed only if the ambient air temperature is 15°C (60°F) or above.
- To allow the adhesive to cure, do not wash the vehicle for 24 hours. Make sure the customer is aware of this.

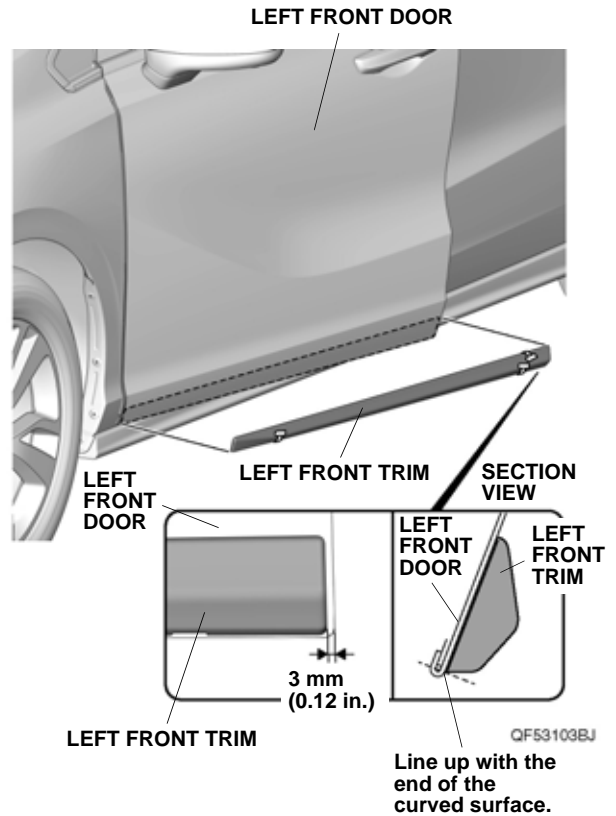
1. Open the left front door. Using one alcohol swab, thoroughly clean the left front door where the left front trim will attach.



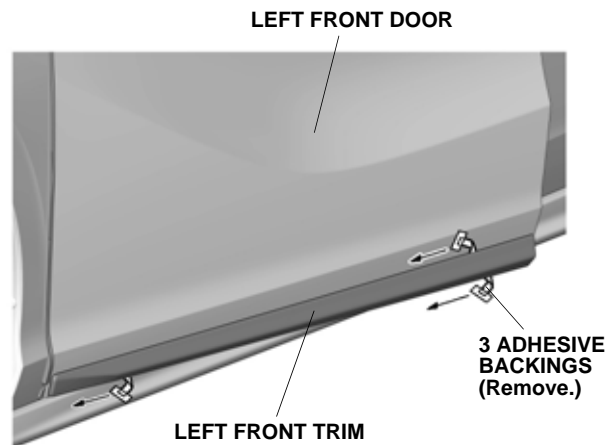
2. Peel back the adhesive backings, and tape them to the front surface of the left front trim with masking tape. Remove the other adhesive backings.



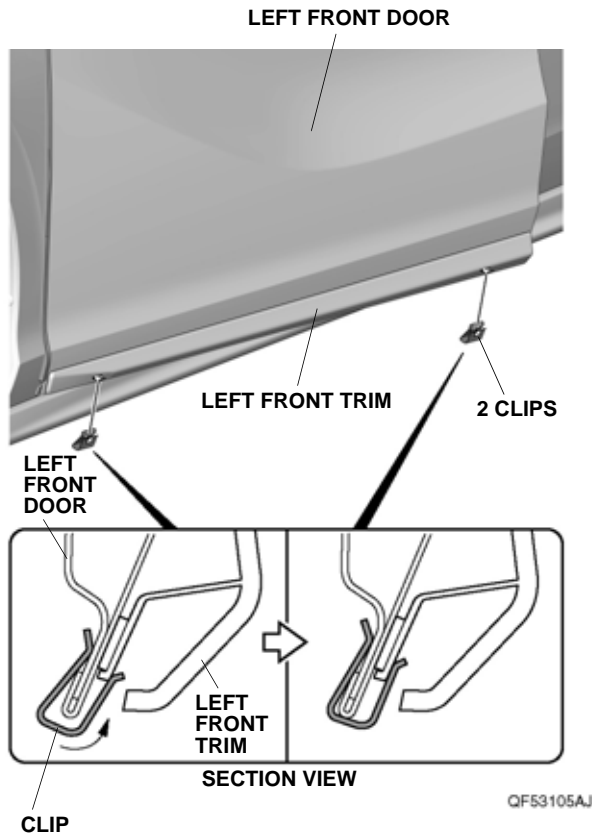
3. Line up the left front door trim as shown.



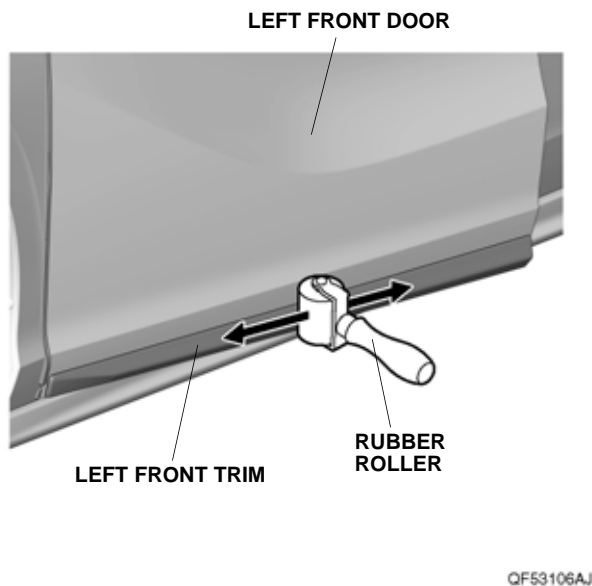
4. While applying light pressure against the left front trim, carefully remove the taped adhesive backings.



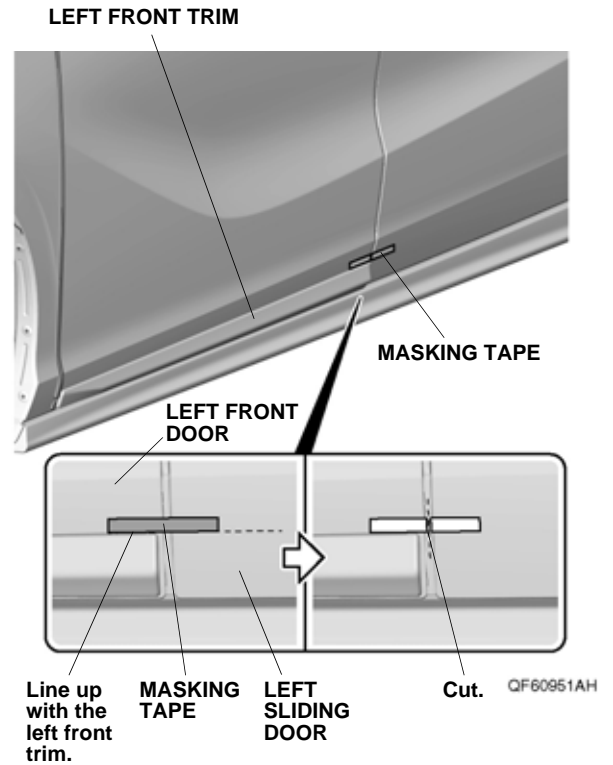
5. Secure the left front trim to the left front door with two clips.



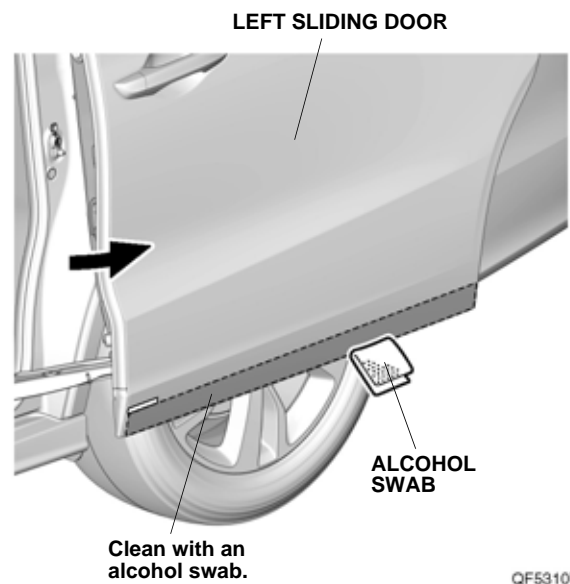
6. Using a rubber roller, apply firm pressure against the left front trim and roll from one end to the other. Apply firm pressure, especially at the ends.



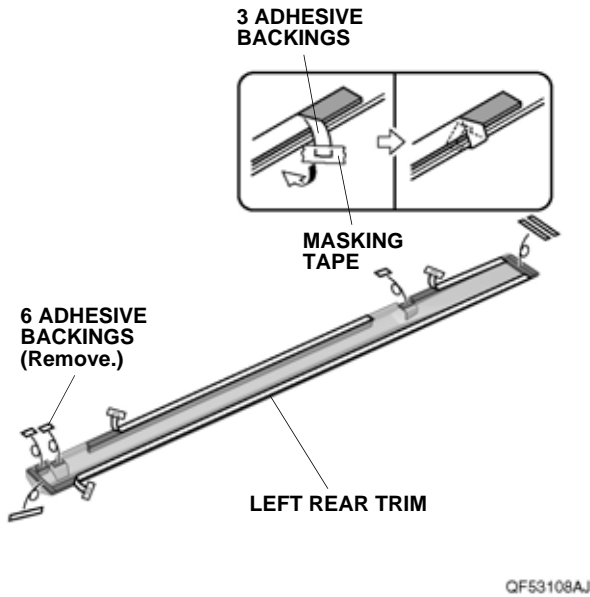
7. Line up and apply masking tape to the upper edge of the left front trim as shown.



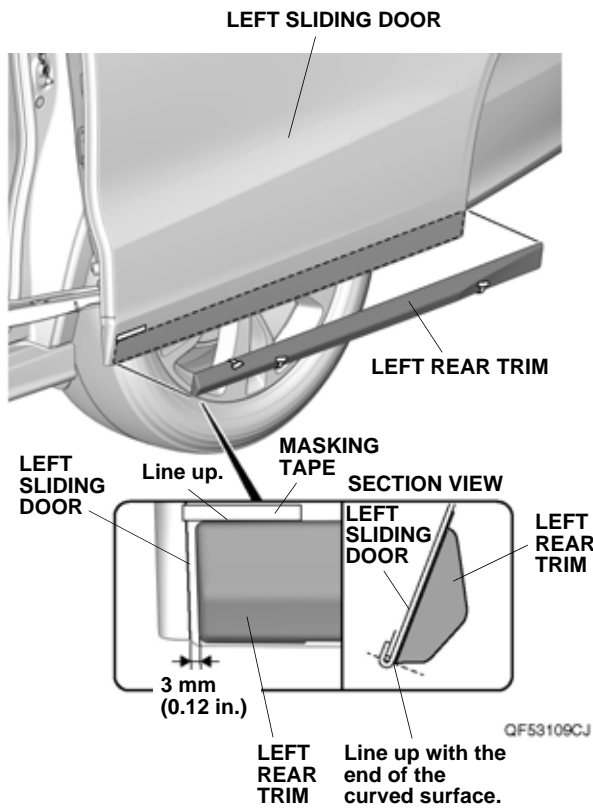
8. Using a utility knife, cut the masking tape between the left front and sliding doors. Be careful not to damage the paint.
9. Open the left sliding door. Using one alcohol swab, thoroughly clean the left sliding door where the left rear trim will attach.



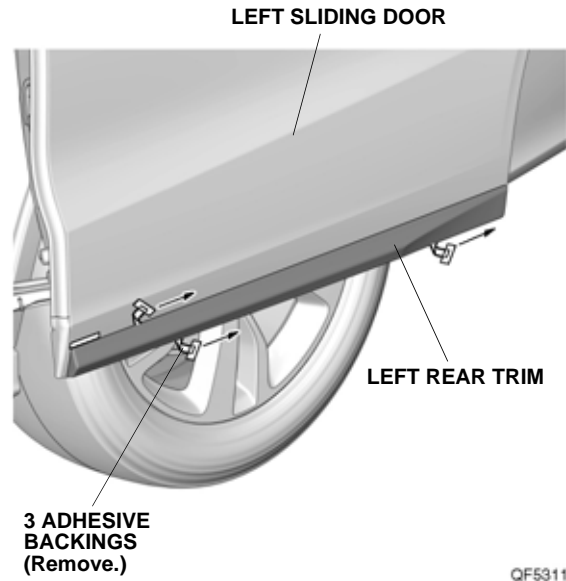
10. Peel back the adhesive backings, and tape them to the front surface of the left rear trim with masking tape. Remove the other adhesive backings.



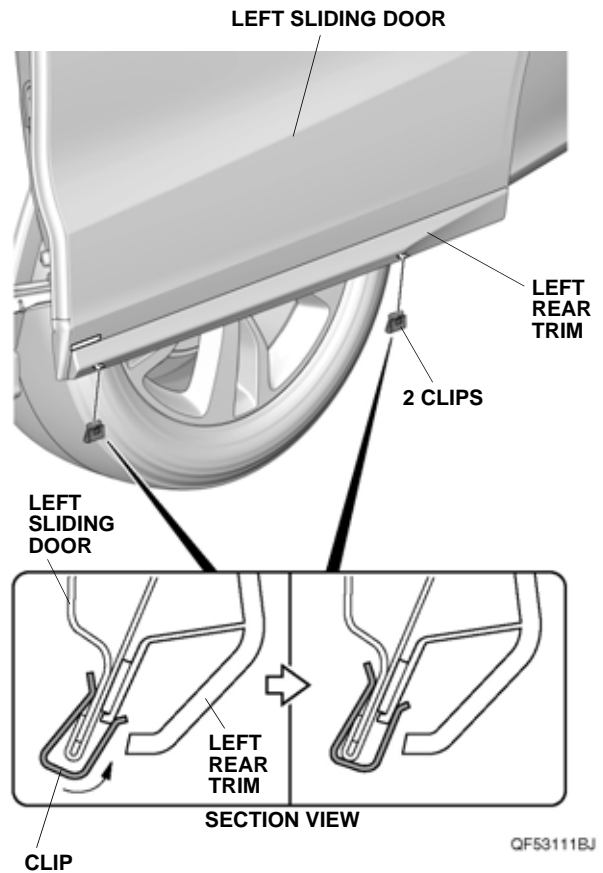
11. Line up the left rear trim as shown.



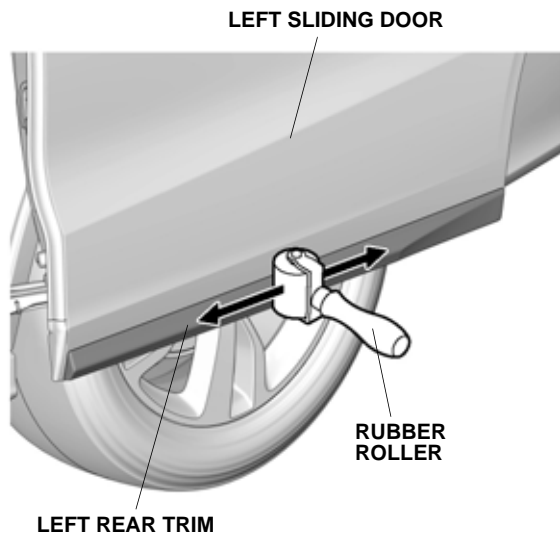
12. While applying light pressure against the left rear trim, carefully remove the taped adhesive backings.



13. Secure the left rear trim to the left sliding door with two clips.



14. Remove the masking tape.
15. Using a rubber roller, apply firm pressure against the left rear trim and roll from one end to the other. Apply firm pressure, especially at the ends.



QF53112BJ

16. Repeat steps 1 through 15 to install the chrome door trims on the right side of the vehicle.