



## INSTALLATION INSTRUCTIONS

Accessory  
**BLACK EMBLEM**

Application  
**2021 ODYSSEY**

Publications No.  
**VERSION 1**  
Issue Date  
**JUL 2020**

### PARTS LIST

**Car Set Name + H-mark Emblem Kit  
P/N 08F20-THR-100**

H emblem



ODYSSEY emblem



2 Push nuts



2 Alcohol wipes



**ELITE Emblem Kit  
P/N 08F20-THR-100G**

ELITE emblem



Alcohol wipe



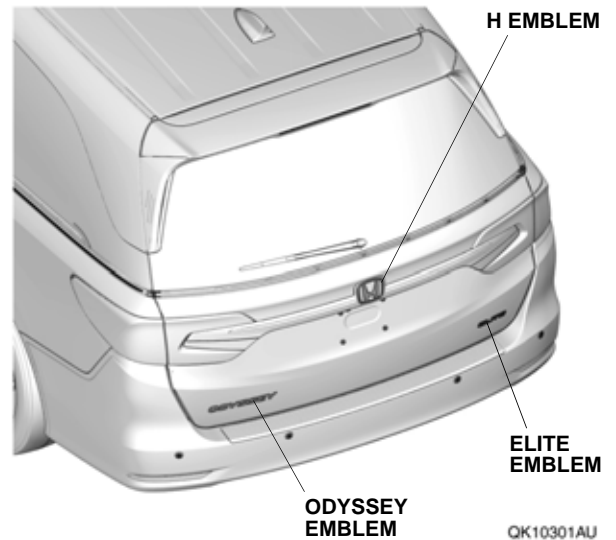
### TOOLS AND SUPPLIES REQUIRED

- Phillips screwdriver
- 10 mm Open end wrench
- 6 mm, 8 mm, and 10 mm Sockets
- Ratchet
- Torque wrench
- Diagonal cutters
- Masking tape
- Blanket
- String

*The following tools are available through the Honda Tool and Equipment Program. On the iN, click on: Service > Service Bay > Tool and Equipment Program, then enter the number under "Search." Or, call 888-424-6857.*

- Trim Tool Set (T/N SOJATP2014)
- Plastic Trim Tool (T/N SILTRIMTL10)
- Push Pin Pliers (T/N 07AAC-001A101)

### Illustration of the Black Emblems Installed on the Vehicle



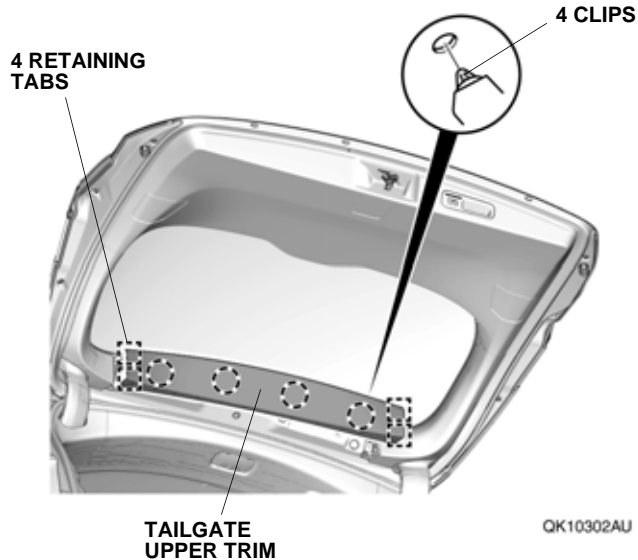
## INSTALLATION

**Customer Information:** The information in this installation instruction is intended for use only by skilled technicians who have the proper tools, equipment, and training to correctly and safely add equipment to your vehicle. These procedures should not be attempted by “do-it-yourselfers.”

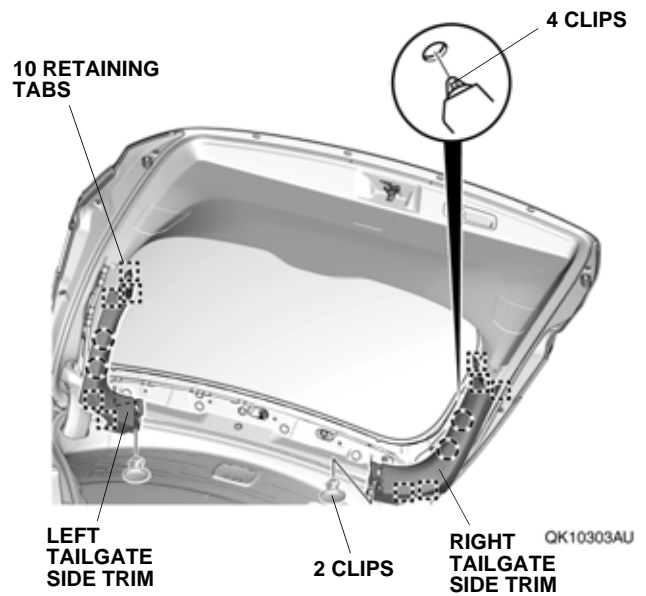
### NOTE:

- Be careful not to damage the body paint finish.
- This kit should be installed only if the ambient air temperature is 60°F (15°C) or above.
- To allow the adhesive to cure, do not wash the vehicle for 24 hours. Make sure the your customer is aware of this.

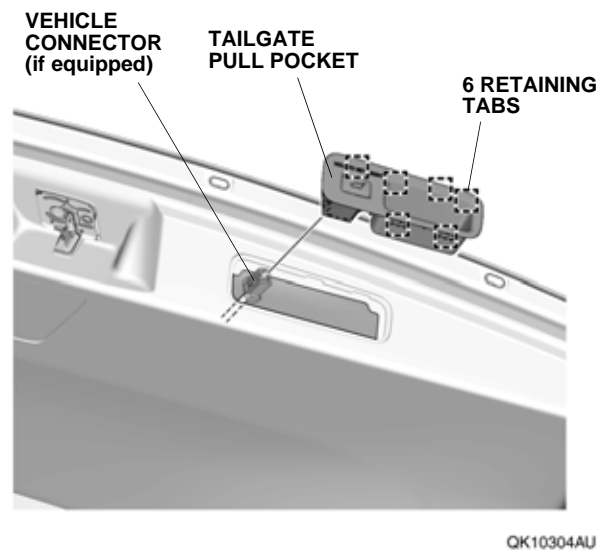
1. Disconnect the negative cable from the battery.
2. Remove the tailgate upper trim.



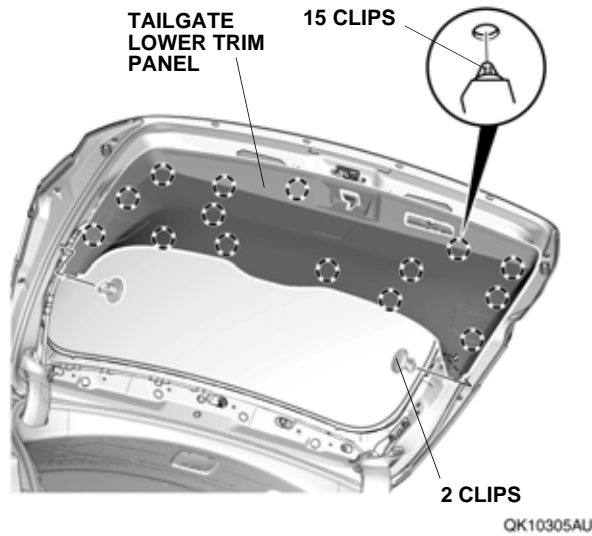
3. Remove the left and right tailgate side trims.



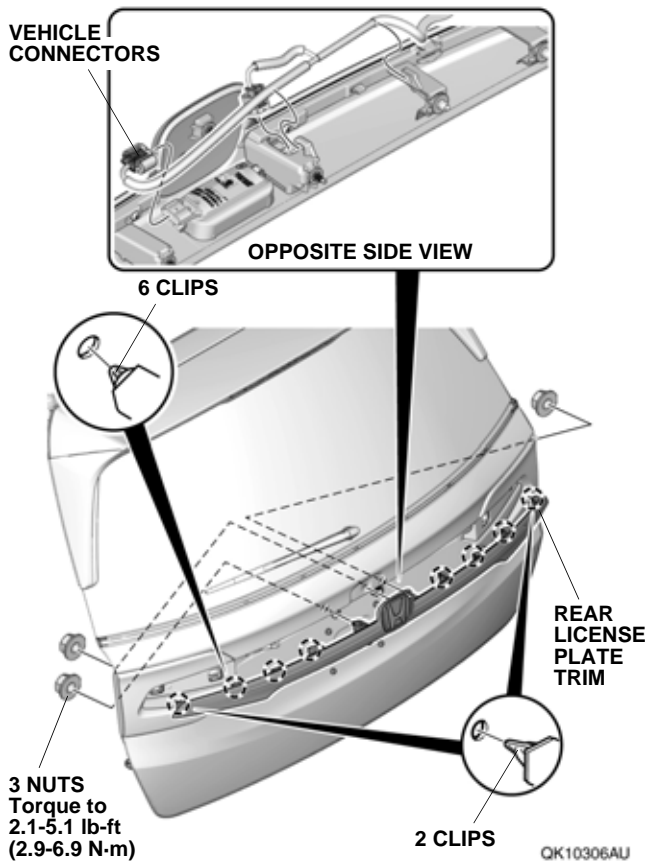
4. Remove the tailgate pull pocket.



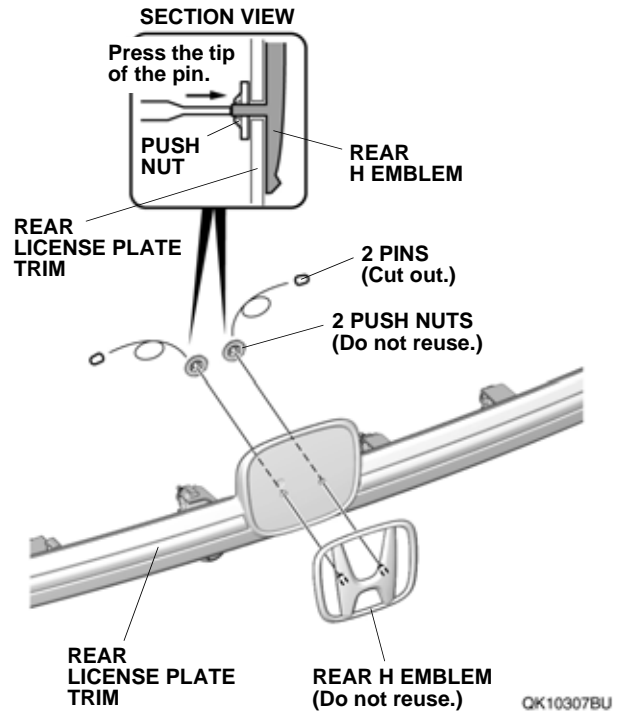
5. Remove the tailgate lower trim panel.



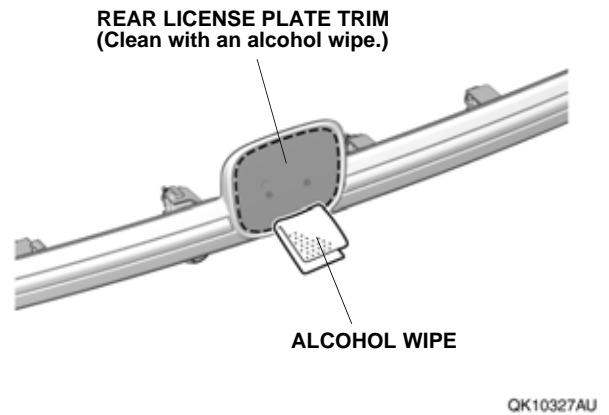
6. Remove the rear license plate trim and unplug the vehicle connectors.



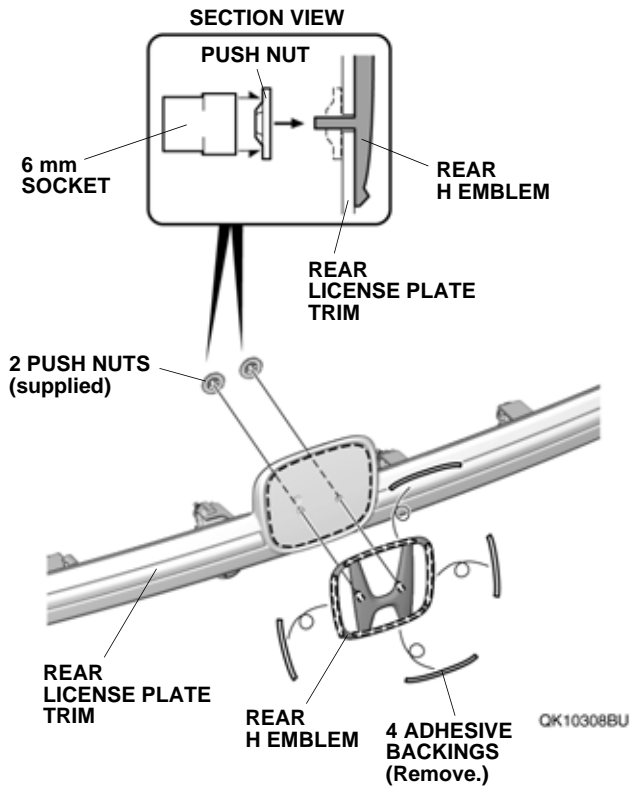
7. Remove the rear H emblem from the rear license plate trim.



8. Using an alcohol wipe, thoroughly clean the rear license plate trim where the rear H emblem will attach.

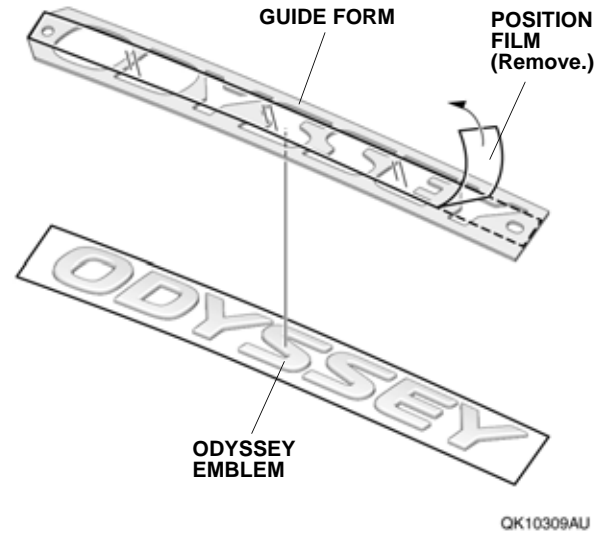


9. Remove the adhesive backings from the rear H emblem. Install the rear H emblem to the rear license plate trim as shown.  
NOTE: Check the orientation of the push nut.

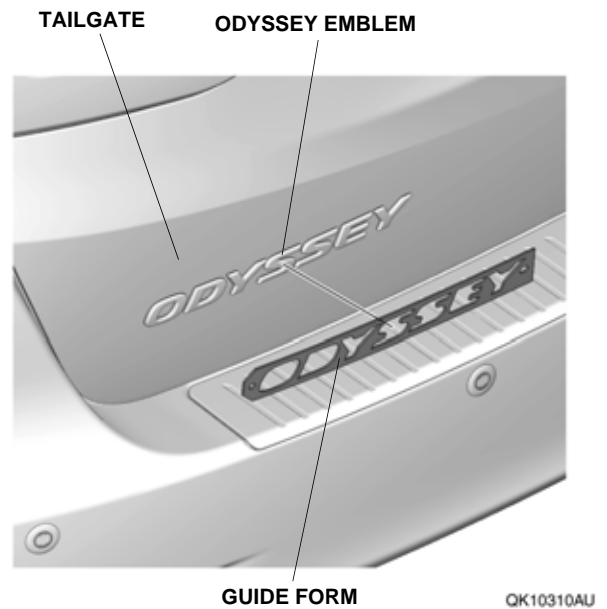


10. Using the palm of your hand, firmly press the rear H emblem against the rear license plate trim.

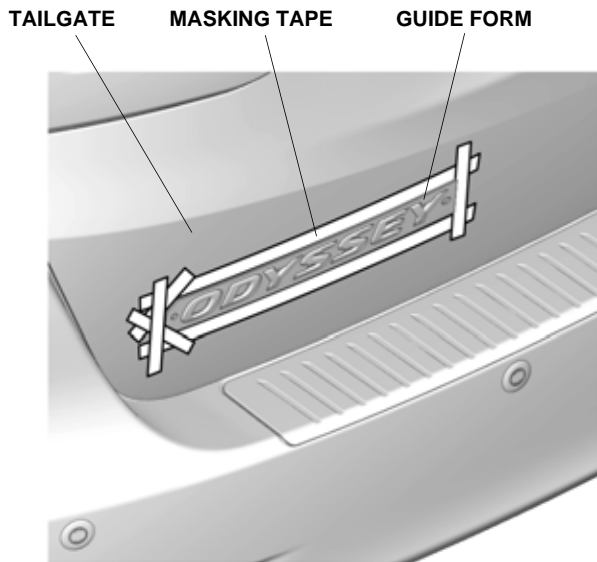
11. Remove the position film from the ODYSSEY emblem, then remove the ODYSSEY emblem from the guide form.



12. Install the guide form to the ODYSSEY emblem on the tailgate.

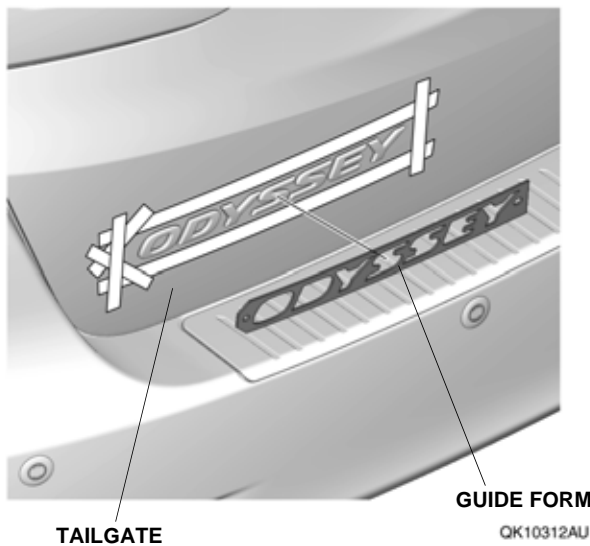


13. Attach the masking tape along the guide form as shown.



QK10311AU

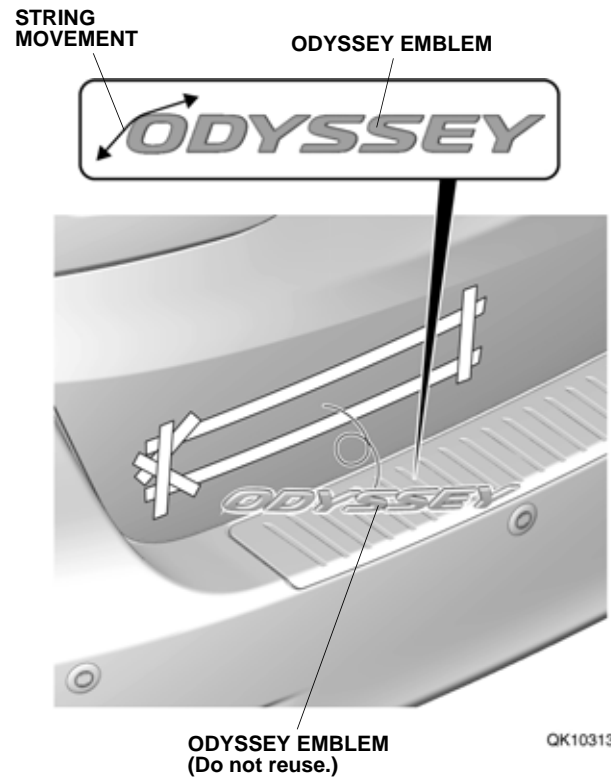
14. Remove the guide form from the tailgate.



QK10312AU

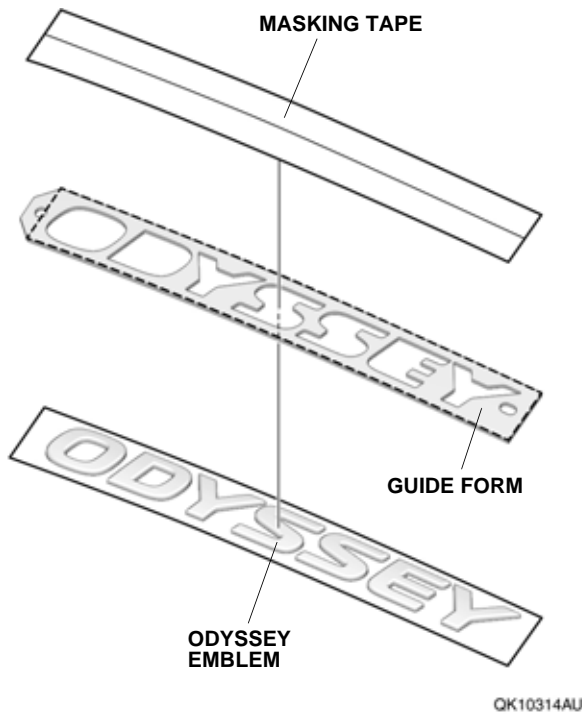
15. Using a piece of string, remove the ODYSSEY emblem by cutting along the outer edges as shown.  
NOTE:

- Do not damage the vehicle body when removing the ODYSSEY emblem with the string.
- Make sure to thoroughly remove the adhesive tape from the vehicle body.

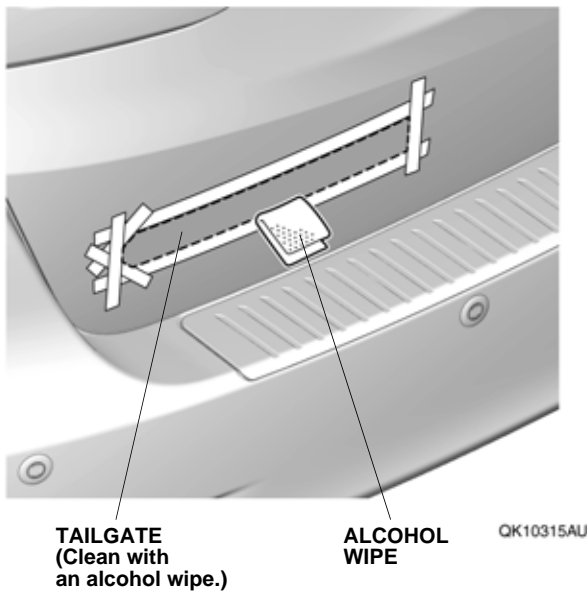


QK10313AU

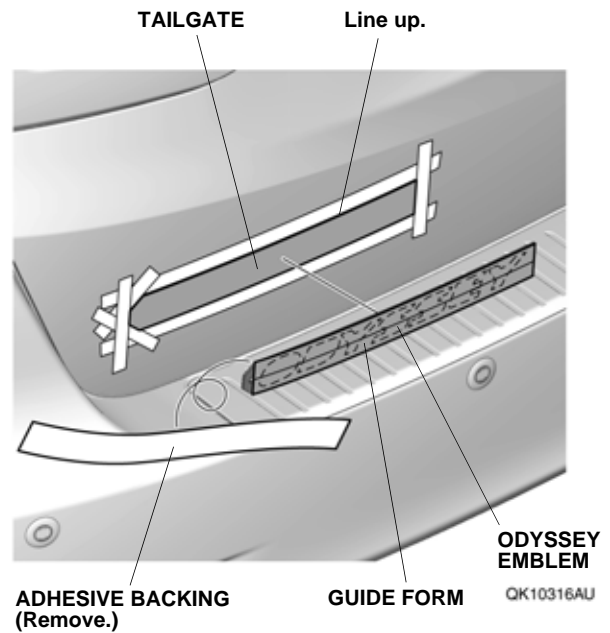
16. Install the ODYSSEY emblem in the guide form, and temporarily secure it with masking tape.



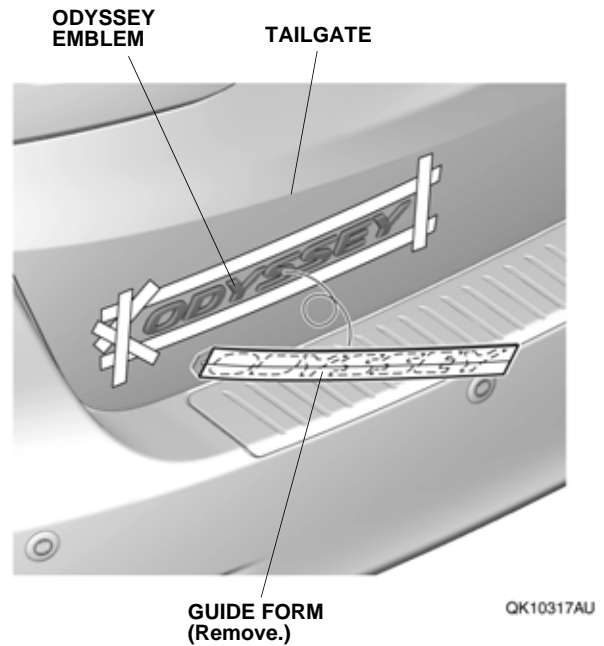
17. Using an alcohol wipe, thoroughly clean the tailgate where the ODYSSEY emblem will attach.



18. Remove the adhesive backing from the ODYSSEY emblem. Line up the guide form with masking tape, and attach the ODYSSEY emblem to the tailgate.



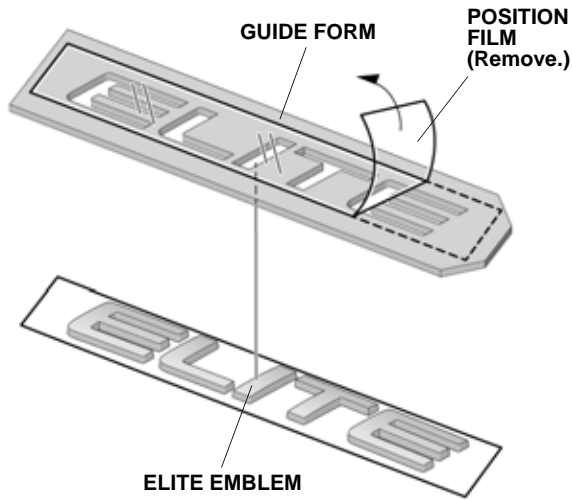
19. Remove the guide form and using the palm of your hand, firmly press the ODYSSEY emblem against the tailgate.



20. Remove the masking tape from the tailgate.

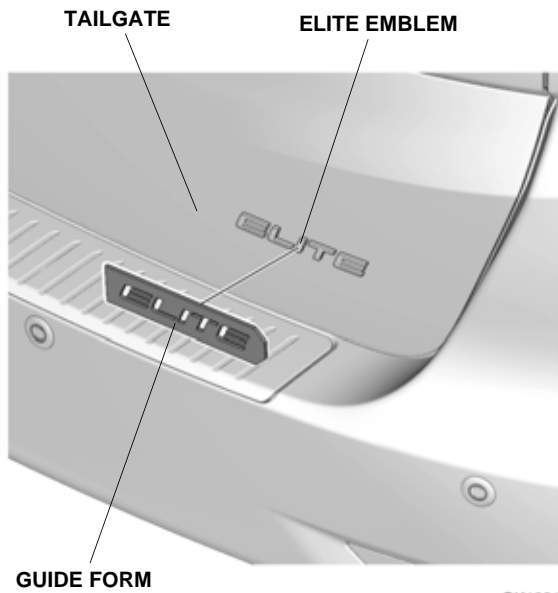
If the vehicle is equipped with the ELITE emblem, continue with step 21; if not, go to step 31.

21. Remove the position film from the ELITE emblem, then remove the ELITE emblem from the guide form.



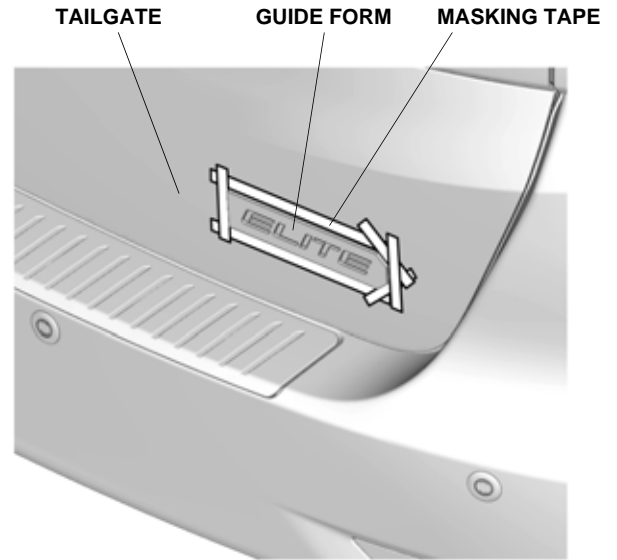
QK10318AU

22. Install the guide form to the ELITE emblem on the tailgate.



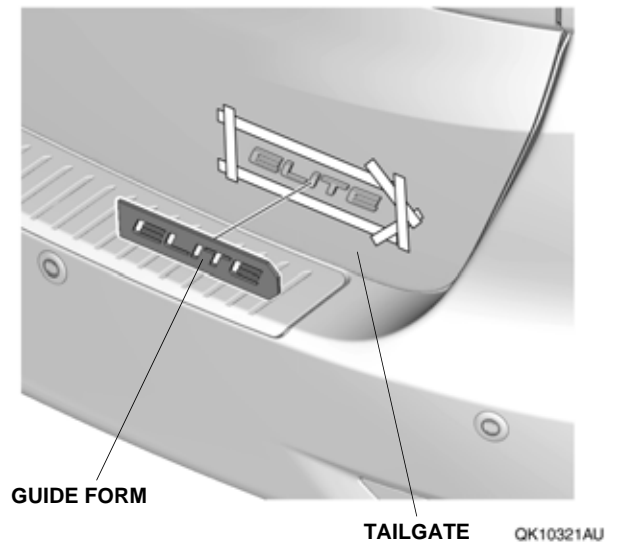
QK10319AU

23. Attach the masking tape along the guide form as shown.



QK10320AU

24. Remove the guide form from the tailgate.

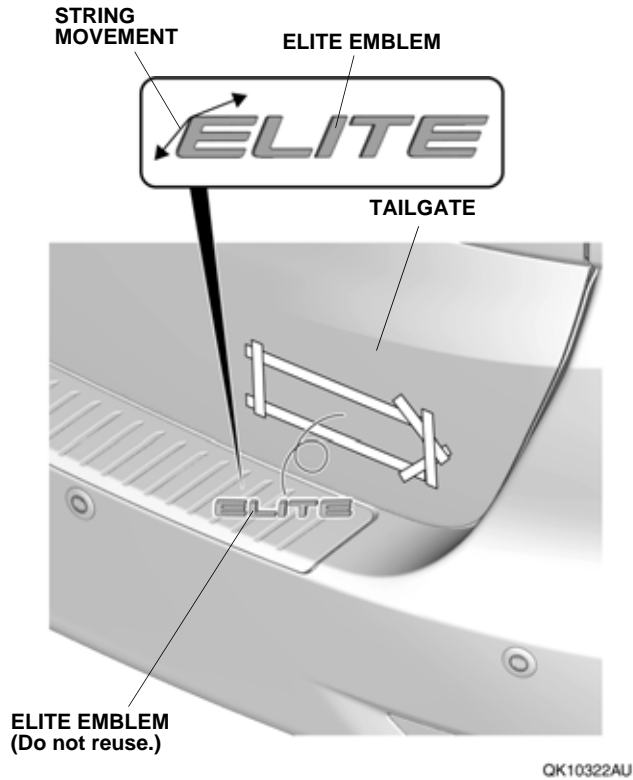


QK10321AU

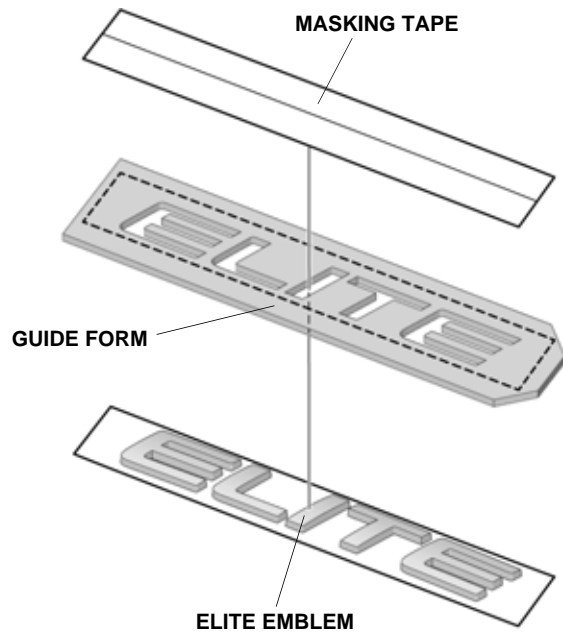
25. Using a piece of string, remove the ELITE emblem by cutting along the outer edges as shown.

NOTE:

- Do not damage the vehicle body when removing the ELITE emblem with the string.
- Make sure to thoroughly remove the adhesive tape from the vehicle body.

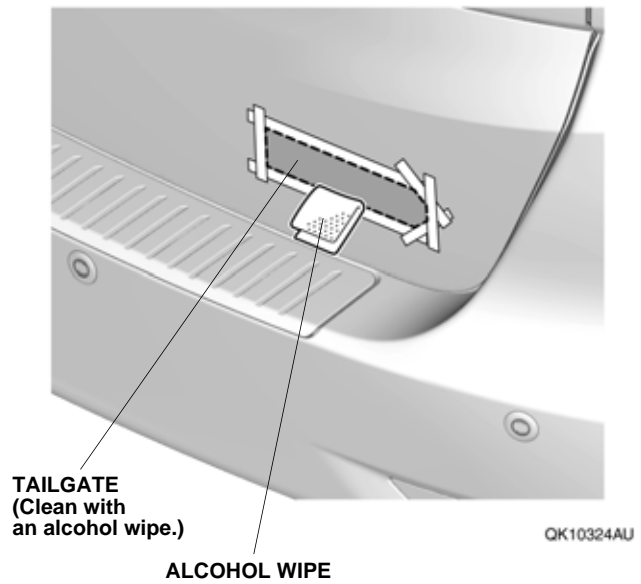


26. Install the ELITE emblem in the guide form, and temporarily secure it with masking tape.



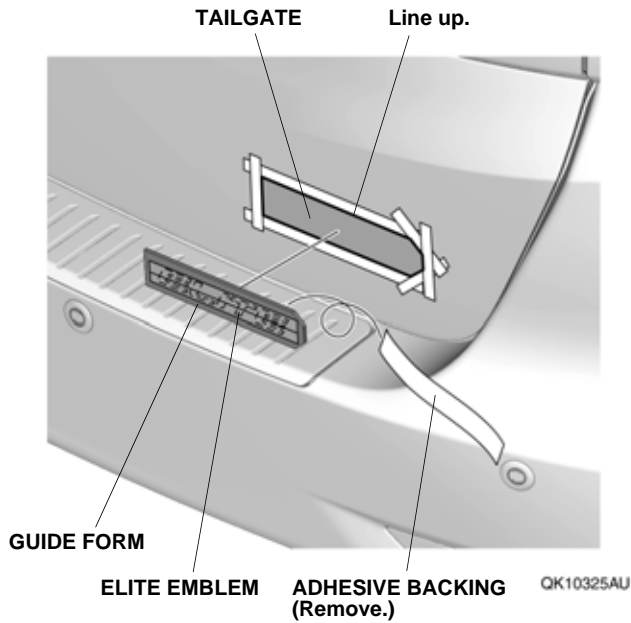
QK10323AU

27. Using an alcohol wipe, thoroughly clean the tailgate where the ELITE emblem will attach.

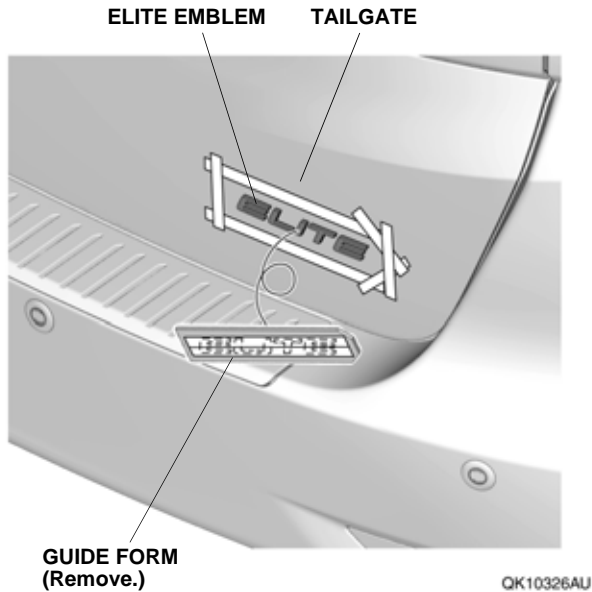




28. Remove the adhesive backing from the ELITE emblem. Line up the guide form with masking tape, and attach the ELITE emblem to the tailgate.



29. Remove the guide form and using the palm of your hand, firmly press the ELITE emblem against the tailgate.



30. Remove the masking tape from the tailgate.

31. Check that all wire harnesses are routed properly and all connectors are plugged in.
32. Install all removed parts.
33. Connect the negative cable to the battery.
34. Press and hold the audio unit power button for 2 seconds to restore the audio and navi (if equipped) system functions.
35. Set the clock on vehicles without navigation.
36. If necessary, restore the systems back to normal operation as described in the service information.