



## INSTALLATION INSTRUCTIONS

Accessory  
WIRELESS CHARGER

Application  
2020 ODYSSEY

Publications No.  
VERSION 1  
Issue Date  
JUL 2019

### PARTS LIST

**Wireless Charger Attachment Kit**  
P/N 08U58-THR-100A

Wireless charger panel



4 Self-tapping screws



8 Clips  
(Some may not be used)



**Wireless Charger Unit Kit**  
P/N 08U58-THR-100

Wireless charger unit



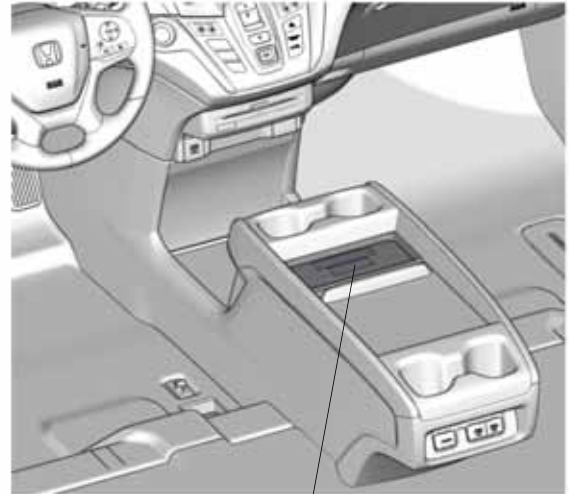
### TOOLS AND SUPPLIES REQUIRED

Phillips screwdriver  
10 mm Open end wrench  
Shop towel

*The following tools are available through the Honda Tool and Equipment Program. On the iN, click on Service > Service Bay > Tool and Equipment Program, then enter the number under "Search." Or, call 888-424-6857.*

- Trim Tool Set (T/N SOJATP2014)
- Plastic Trim Tool (T/N SILTRIMTL10)

### Illustration of the Wireless Charger in the Vehicle



WIRELESS CHARGER UNIT

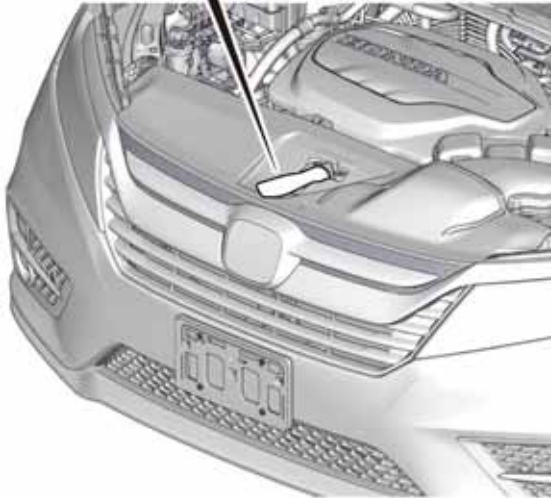
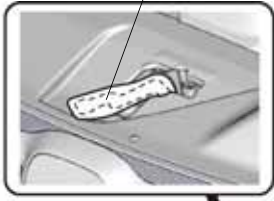
QF52401AG

### INSTALLATION

**Customer Information:** The information in this installation instruction is intended for use only by skilled technicians who have the proper tools, equipment, and training to correctly and safely add equipment to your vehicle. These procedures should not be attempted by "do-it-yourselfers."

1. Disconnect the negative cable from the battery:
  - Wrap a shop towel around the hood latch.

**HOOD LATCH**  
(Wrap with a shop towel.)

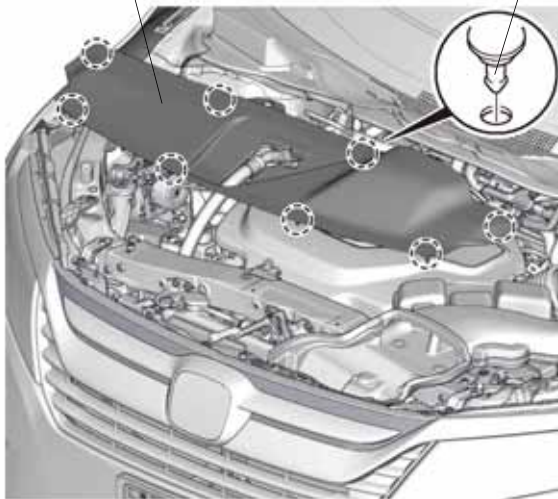


QF52702AG

- Remove the front bulkhead cover.

**FRONT BULKHEAD COVER**

**8 CLIPS**

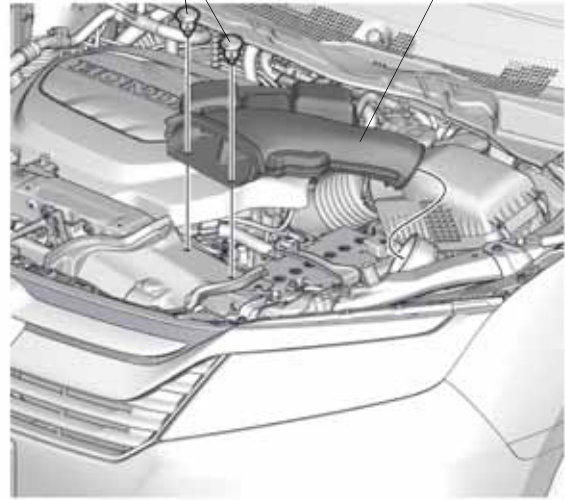


QF52703AG

- Remove the intake air tube.
- Disconnect the negative cable from the battery.

**2 CLIPS**

**INTAKE AIR TUBE**



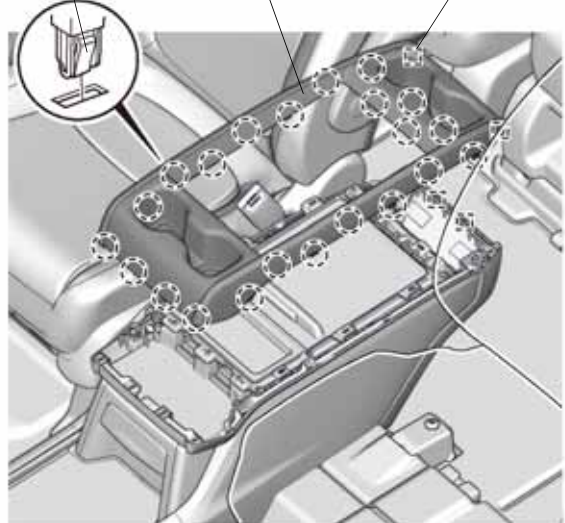
QF52704AG

2. Using a trim tool, pry up on the rear of the center console to release the clips and retaining tabs. Remove the center console trim.

**22 CLIPS**

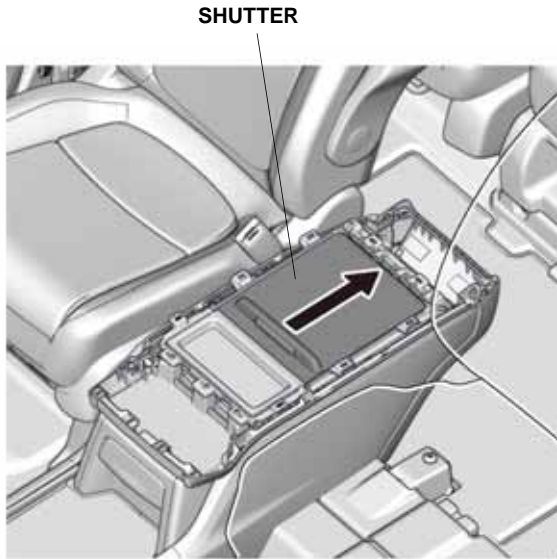
**CENTER CONSOLE TRIM**

**4 RETAINING TABS**



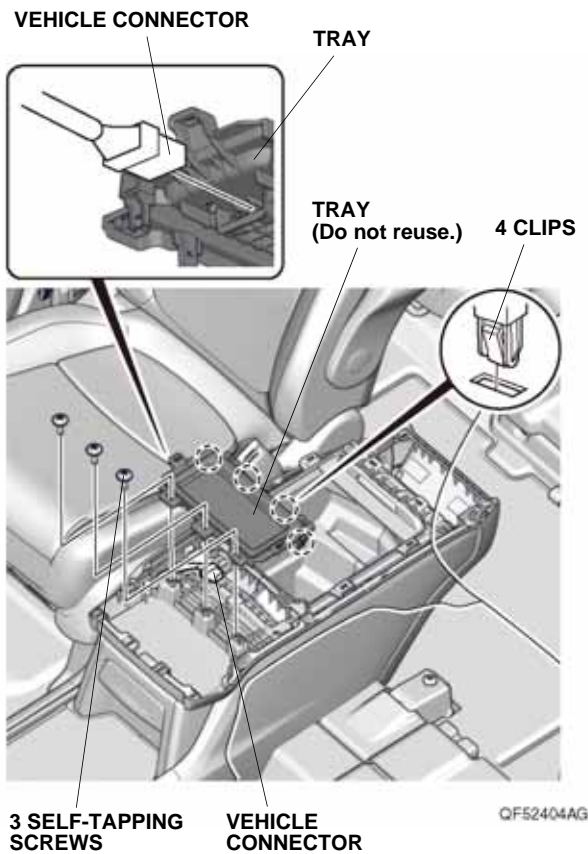
QF52402AG

- If equipped, open the shutter.



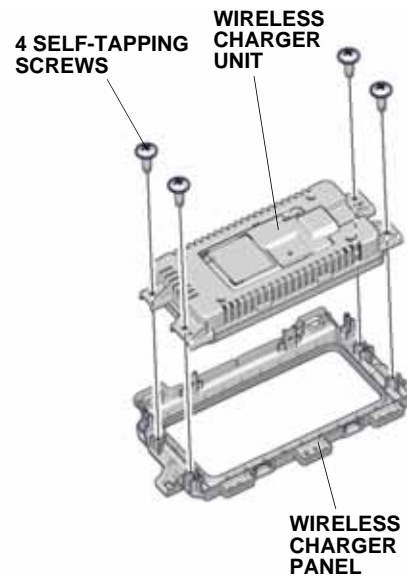
QF52403AG

- Remove the tray and unplug the vehicle connector.



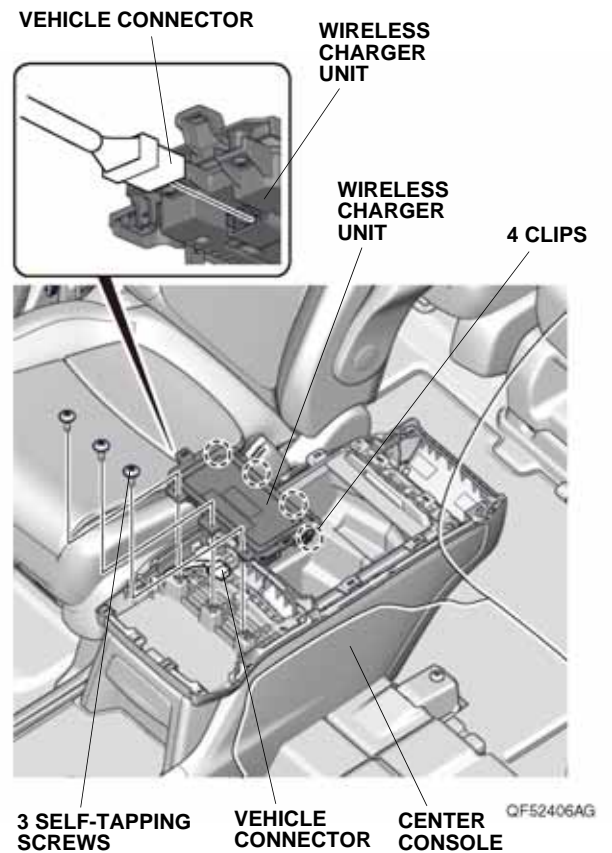
QF52404AG

- Install the wireless charger unit on the wireless charger panel with four self-tapping screws.



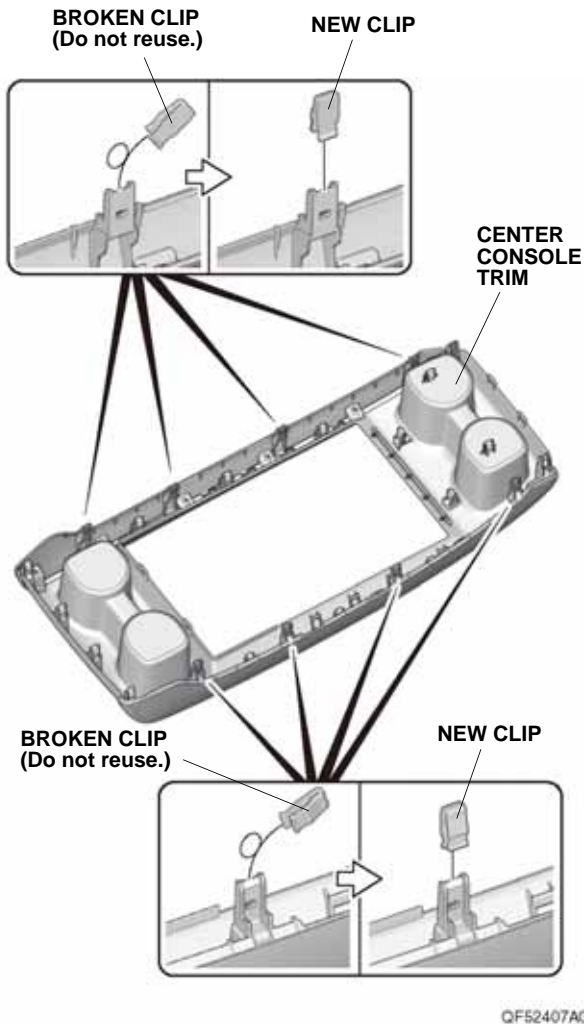
QF52405AG

- Plug the vehicle connector into the wireless charger unit, and secure the wireless charger unit to the center console as shown.



QF52406AG

- Remove the eight clips from the center console trim shown, and install the eight new clips supplied in this kit as shown.



- Install the center console trim.
- Check that all wire harnesses are routed properly and all connectors are plugged in.
- Install all removed parts except for the front bulkhead cover and the intake air tube.
- Connect the negative cable to the battery.
- Install the front bulkhead cover and the intake air tube.
- Press and hold the audio unit power button for 2 seconds to restore the audio and navi (if equipped) system functions.
- Set the clock on vehicles without navigation.
- If necessary, restore the systems back to normal operation as described in the service information.

## Check the Operation of the Wireless Charger

- Check that the wireless charger works properly as described in the accessory user's information manual with this kit.