



## INSTALLATION INSTRUCTIONS

Accessory  
**REAR BUMPER TRIM**  
 P/N 08P01-THR-100

Application  
**2020 ODYSSEY**

Publications No.  
**VERSION 1**  
 Issue Date  
**JUL 2019**

### PARTS LIST

Rear bumper trim



15 Caps



15 Self-tapping screws



### TOOLS AND SUPPLIES REQUIRED

Phillips screwdriver

Stubby Phillips screwdriver

Ratchet

10 mm Socket

5 mm Hex wrench

Masking tape

Isopropyl alcohol

Shop towel

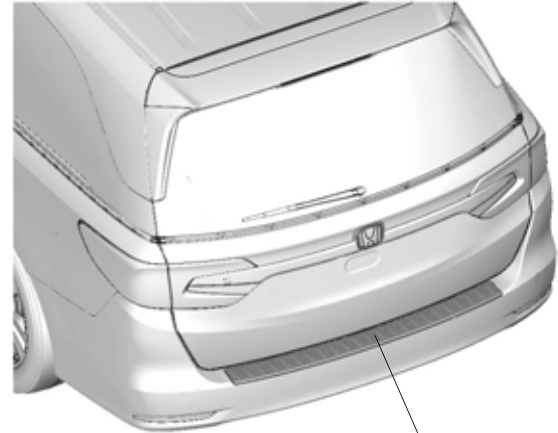
Blanket

10 mm Open end wrench

*The following tools are available through the Honda Tool and Equipment Program. On the iN, click on Service > Service Bay > Tool and Equipment Program, then enter the number under "Search." Or, call 888-424-6857.*

- Rubber Roller (T/N MHLE54D)
- Trim Tool Set (T/N SOJATP2014)
- Plastic Trim Tool (T/N SILTRIMTL10)

### Illustration of the Rear Bumper Trim Installed on the Vehicle



REAR BUMPER TRIM

QF52810AJ

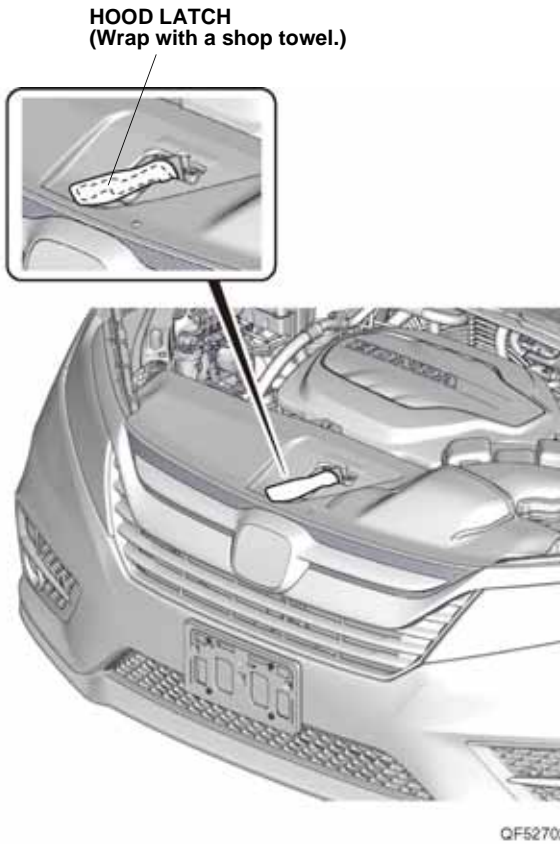
### INSTALLATION

**Customer Information:** The information in this installation instruction is intended for use only by skilled technicians who have the proper tools, equipment, and training to correctly and safely add equipment to your vehicle. These procedures should not be attempted by "do-it-yourselfers."

#### NOTE:

- Be careful not to damage the body paint finish.
- This rear bumper trim kit should be installed only if the ambient air temperature is 15°C (60°F) or above.
- To allow the adhesive to cure, do not wash the vehicle for 24 hours. Make sure the customer is aware of this.

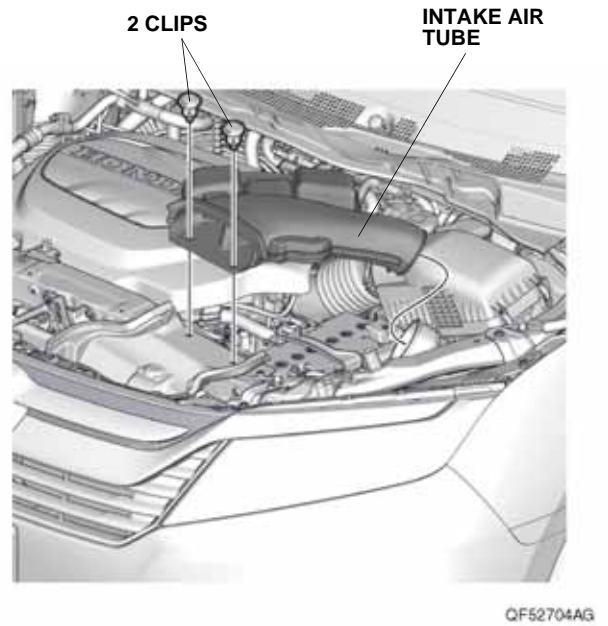
1. Disconnect the negative cable from the battery:
  - Wrap a shop towel around the hood latch.



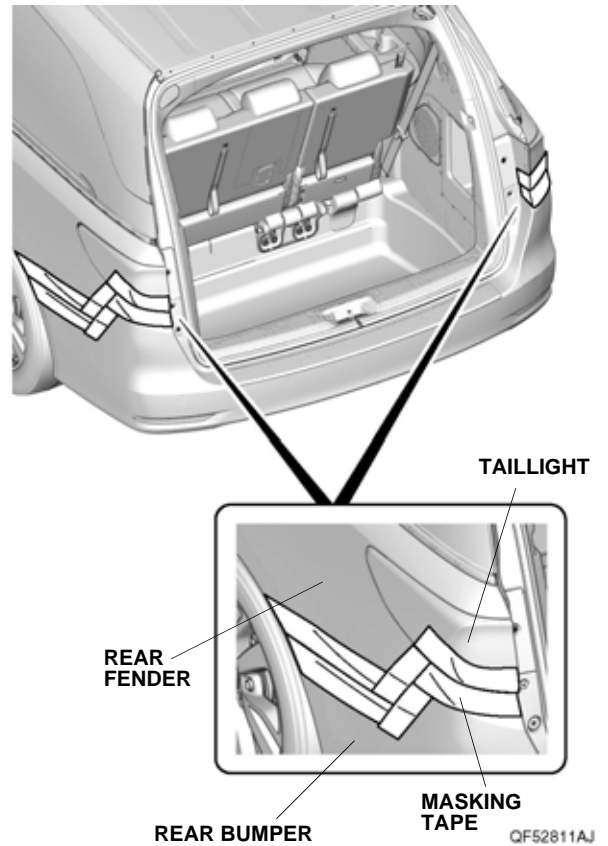
- Remove the front bulkhead cover.



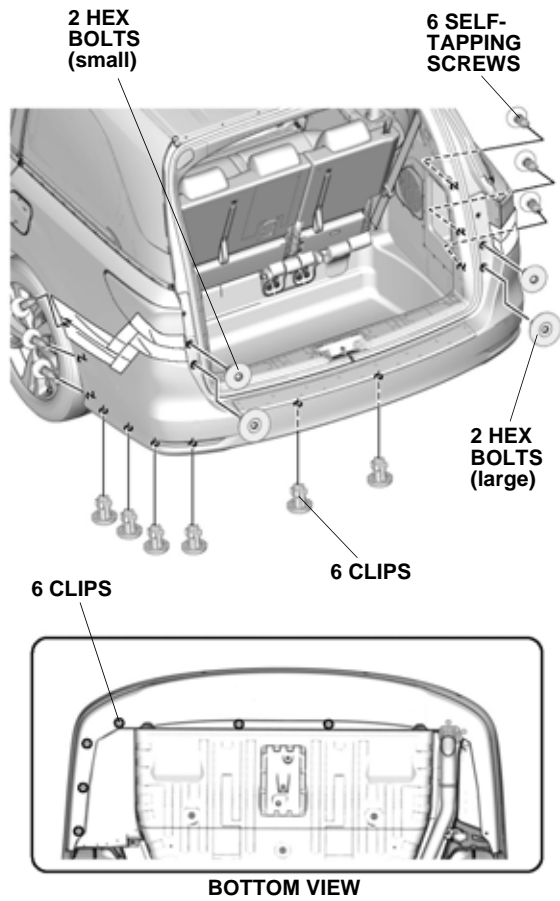
- Remove the intake air tube.
- Disconnect the negative cable from the battery.



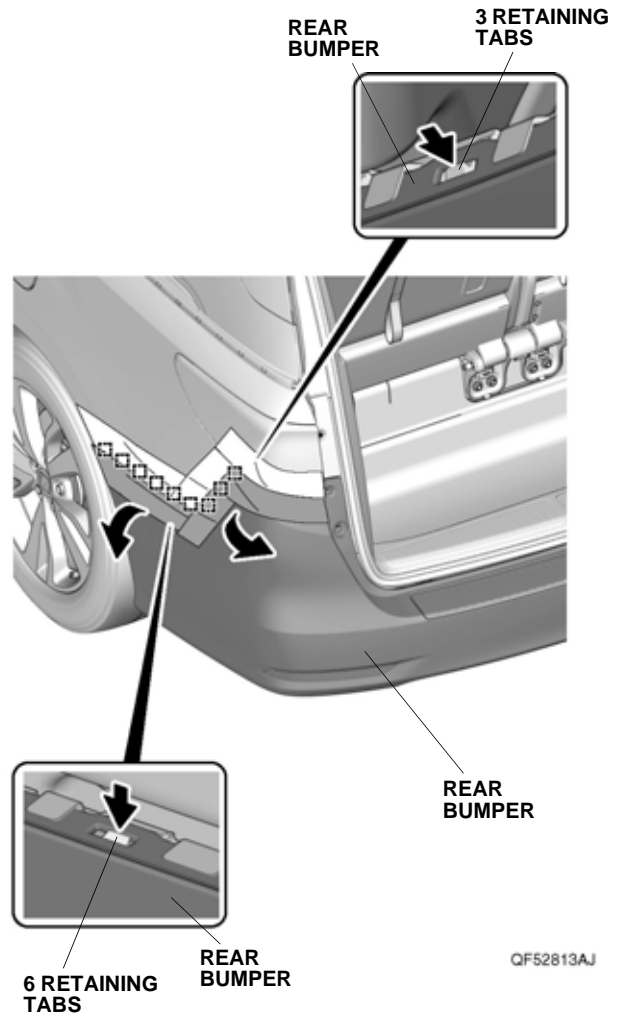
2. Remove the rear bumper:
  - Apply masking tape as shown.



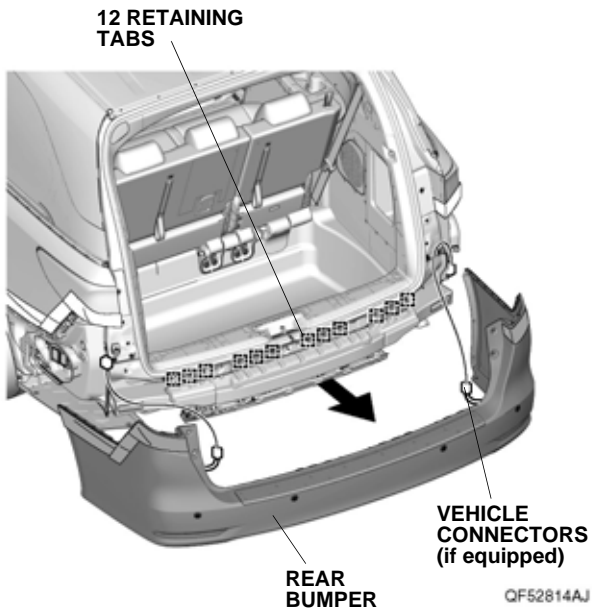
- Remove the six self-tapping screws, six clips, two large hex bolts, and two small hex bolts as shown.



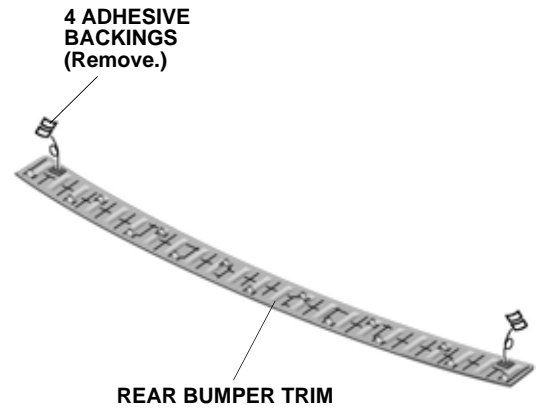
- With the help of an assistant, release the nine retaining tabs on each side.



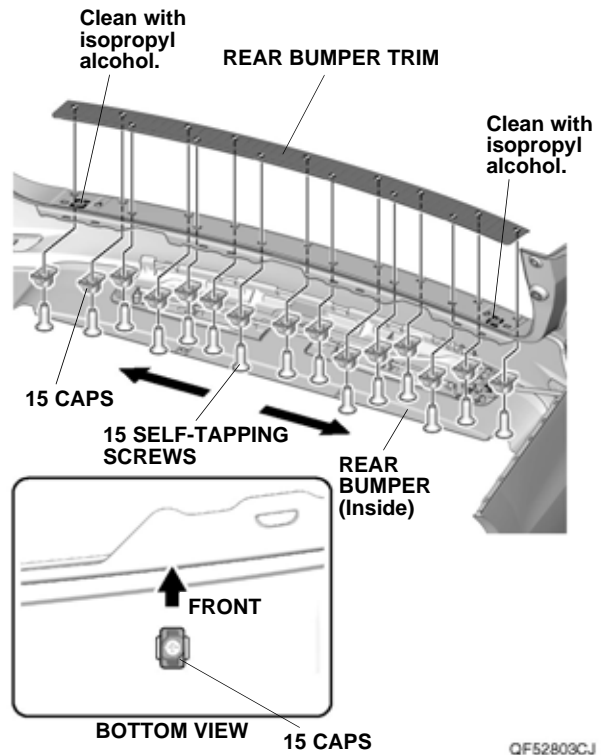
- With the help of an assistant, remove the rear bumper and unplug the vehicle connectors (if equipped).
- Place the rear bumper on a blanket.



4. Remove the four adhesive backings from the rear bumper trim.

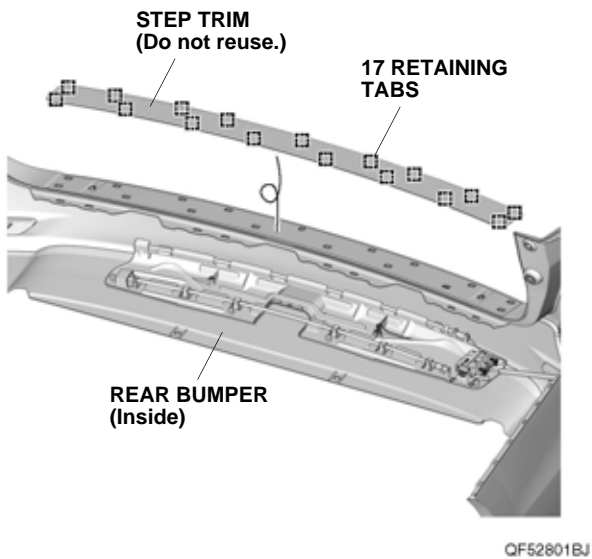


5. Using isopropyl alcohol on a shop towel, clean the rear bumper where the rear bumper trim will attach.

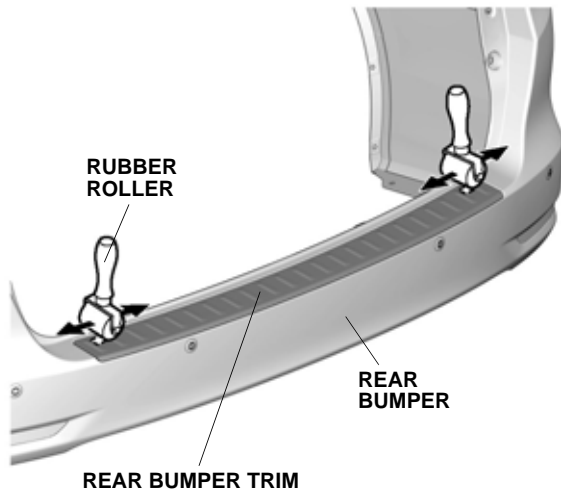


6. Starting from the center and working outward, install the rear bumper trim to the rear bumper with 15 caps and 15 self-tapping screws.  
NOTE: Ensure that all caps are rotated so that they are pointing towards the front of the vehicle as shown.

3. Remove the step trim.



7. Using a rubber roller, apply firm pressure to the rear bumper trim at the ends as shown.



QF52804AJ

8. Install all removed parts, except for the front bulkhead cover and the intake air tube.
9. Check that all wire harnesses are routed properly and all connectors are plugged in.
10. Connect the negative cable to the battery.
11. Install the front bulkhead cover and the intake air tube.
12. Press and hold the audio unit power button for 2 seconds to restore the audio and navi (if equipped) system functions.
13. Set the clock on vehicles without navigation.
14. If necessary, restore the systems back to normal operation as described in the service information.