



## INSTALLATION INSTRUCTIONS

Accessory  
EMBLEMS  
P/N 08F59-THR-100

Application  
2020 ODYSSEY

Publications No.  
**VERSION 1**  
Issue Date  
**JUL 2019**

### PARTS LIST

Left front fender emblem  
(Identification mark: FR-L)



Right front fender emblem  
(Identification mark: FR-R)



Rear emblem



Template A



Template B



3 Alcohol wipes



### TOOLS AND SUPPLIES REQUIRED

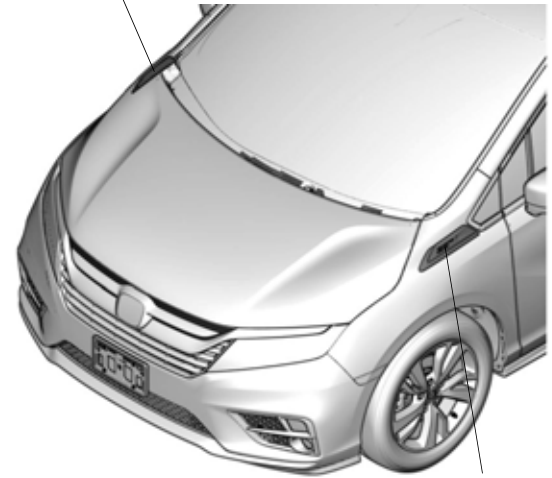
Masking tape

*The following tool is available through the Honda Tool and Equipment Program. On the iN, click on Service > Service Bay > Tool and Equipment Program, then enter the number under "Search." Or, call 888-424-6857.*

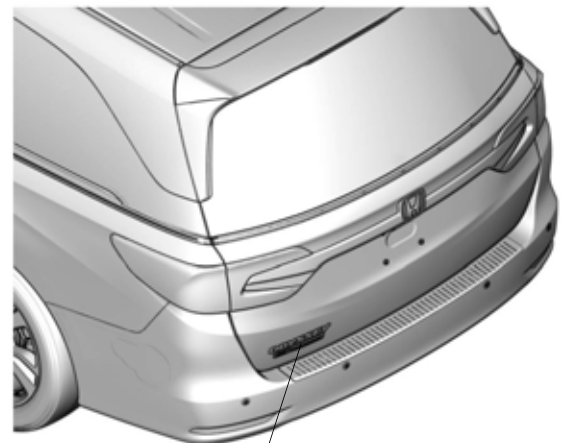
Rubber Roller (T/N MHLE54D)

### Illustration of the Emblems on the Vehicle

RIGHT FRONT FENDER EMBLEM



LEFT FRONT FENDER EMBLEM



REAR EMBLEM

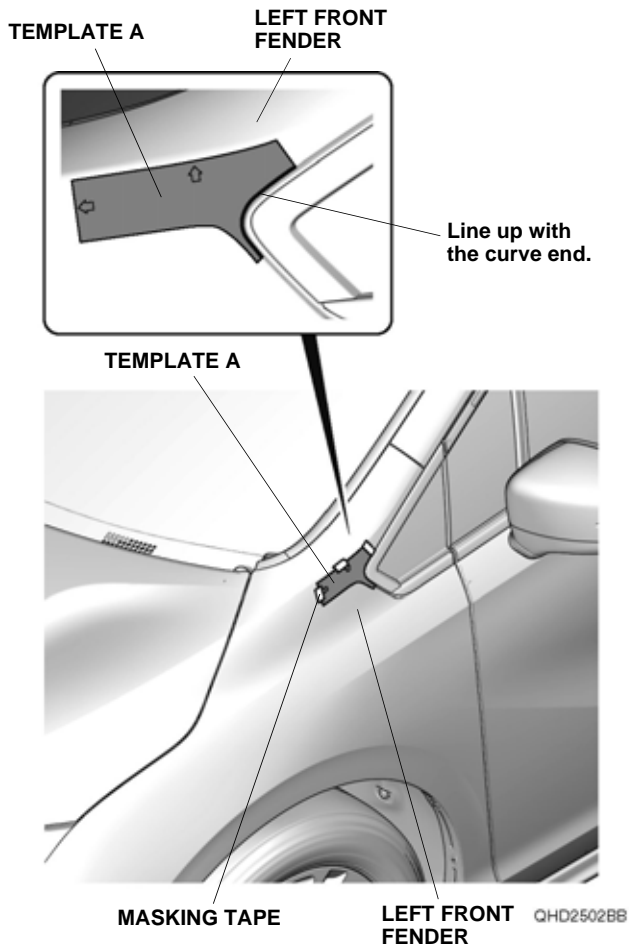
QHD2501AB

## INSTALLATION

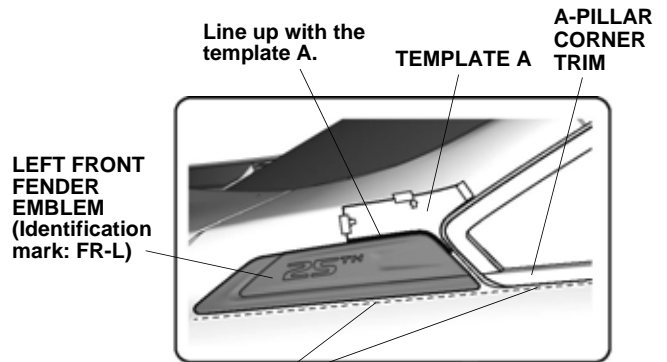
**Customer Information:** The information in this installation instruction is intended for use only by skilled technicians who have the proper tools, equipment, and training to correctly and safely add equipment to your vehicle. These procedures should not be attempted by "do-it-yourselfers."

### NOTE:

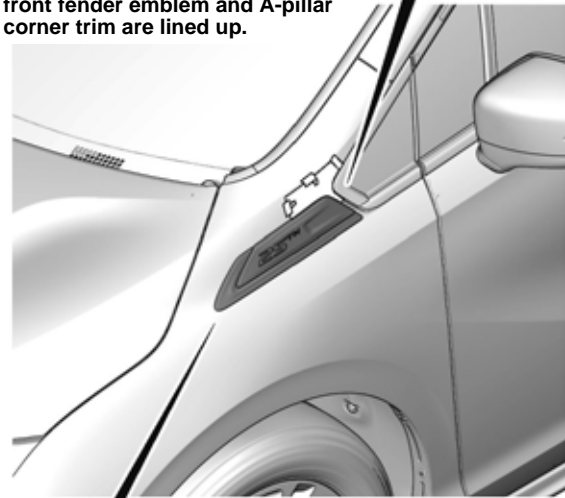
- Be careful not to damage the body paint finish.
  - This kit should be installed only if the ambient air temperature is 60°F (15°C) or above.
  - To allow the adhesive to cure, do not wash the vehicle for 24 hours. Make sure the customer is aware of this.
1. Line up the template A with the curve end, and attach it to the left front fender with masking tape as shown.



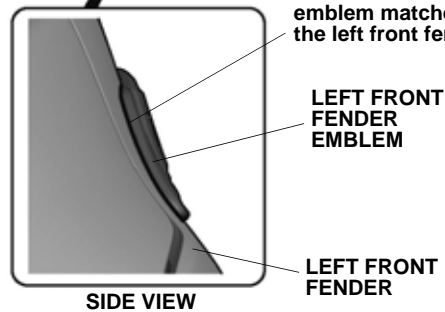
2. Line up the left front fender emblem with the template A. Make sure the edges of the left front fender emblem and A-pillar corner trim are lined up, and the left front fender emblem matches the shape of the left front fender.



Make sure the edges of the left front fender emblem and A-pillar corner trim are lined up.

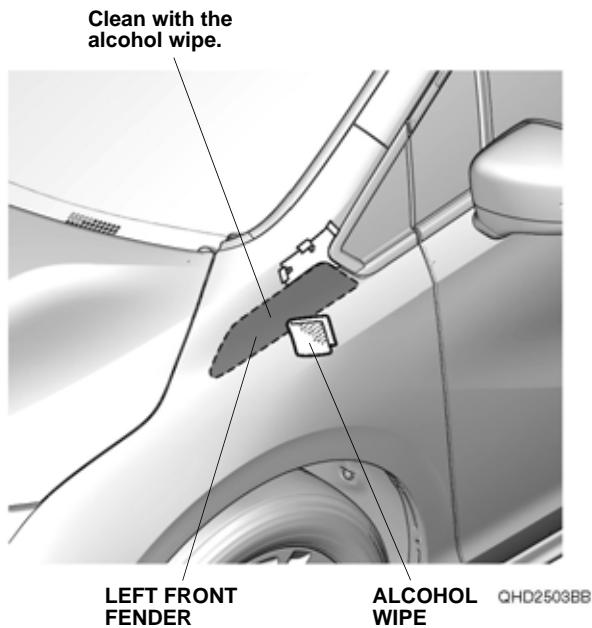


Make sure the left front fender emblem matches the shape of the left front fender.

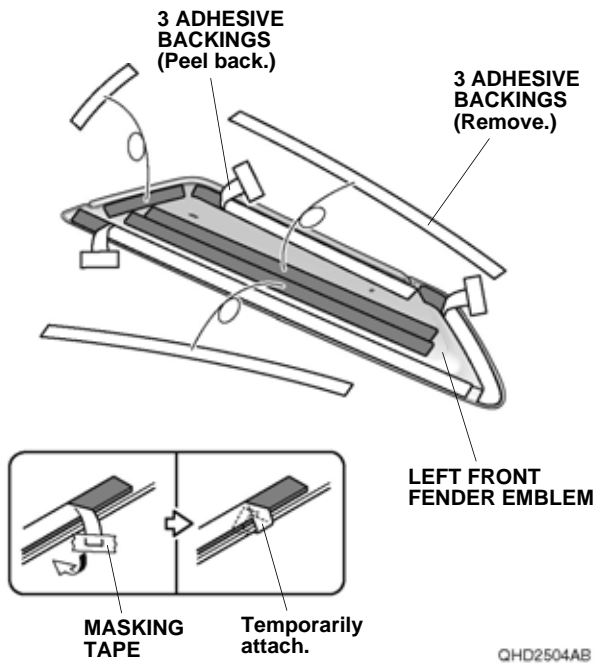


QJ40801AG

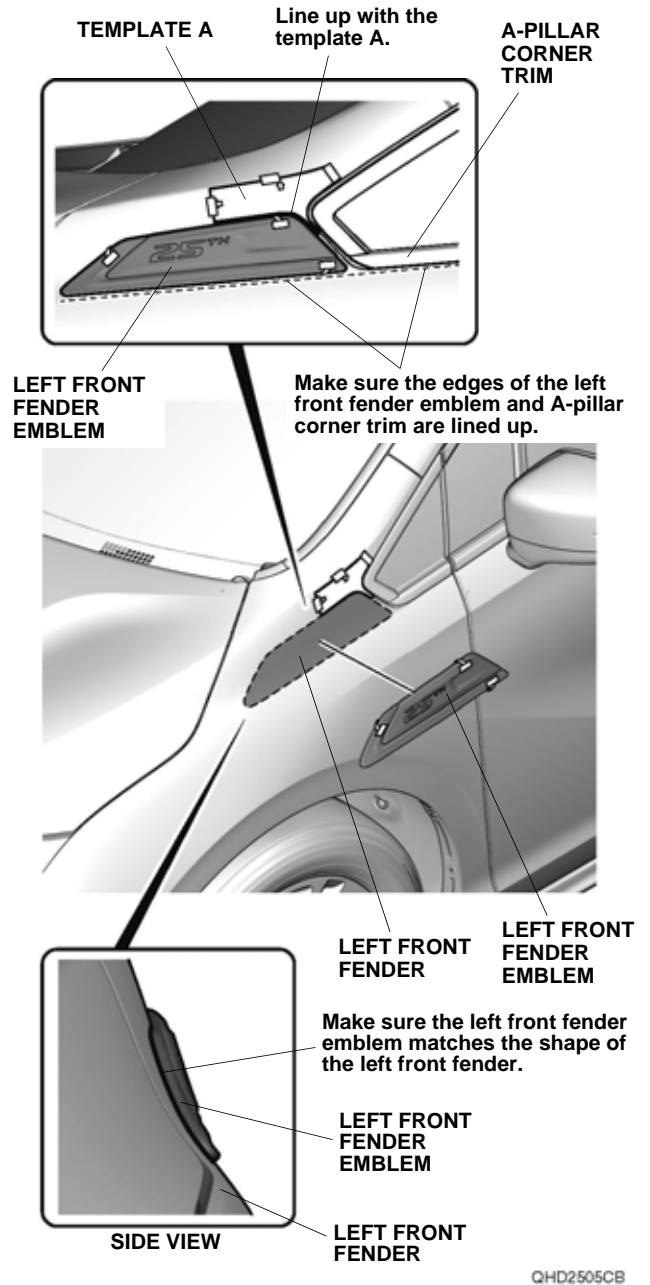
- Using the alcohol wipe, thoroughly clean the left front fender where the left front fender emblem will attach.



- Peel back the adhesive backings, and tape them to the front surface of the left front fender emblem with masking tape. Remove the remaining adhesive backings.

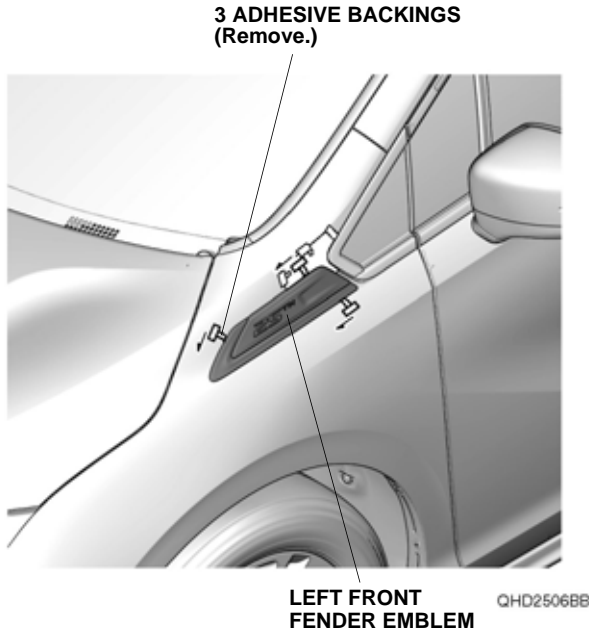


- Line up the left front fender emblem with the template A, and attach it to the left front fender as shown.

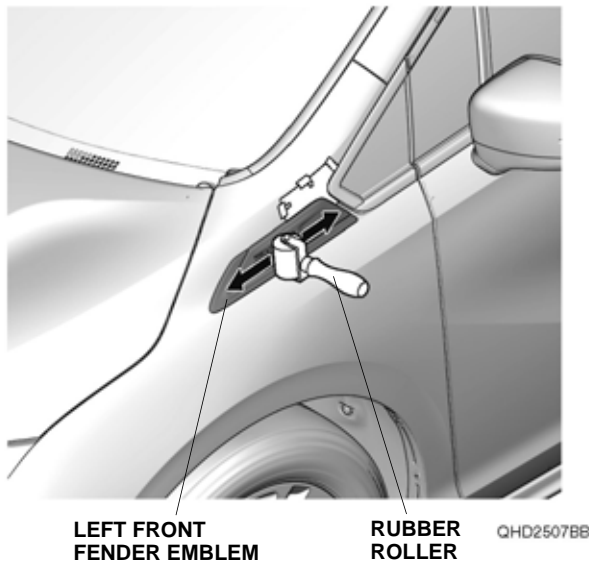


- Make sure the edges of the left front fender emblem and A-pillar corner trim are lined up, and the left front fender emblem matches the shape of the left front fender.

7. While applying light pressure against the left front fender emblem, carefully remove the taped adhesive backings.

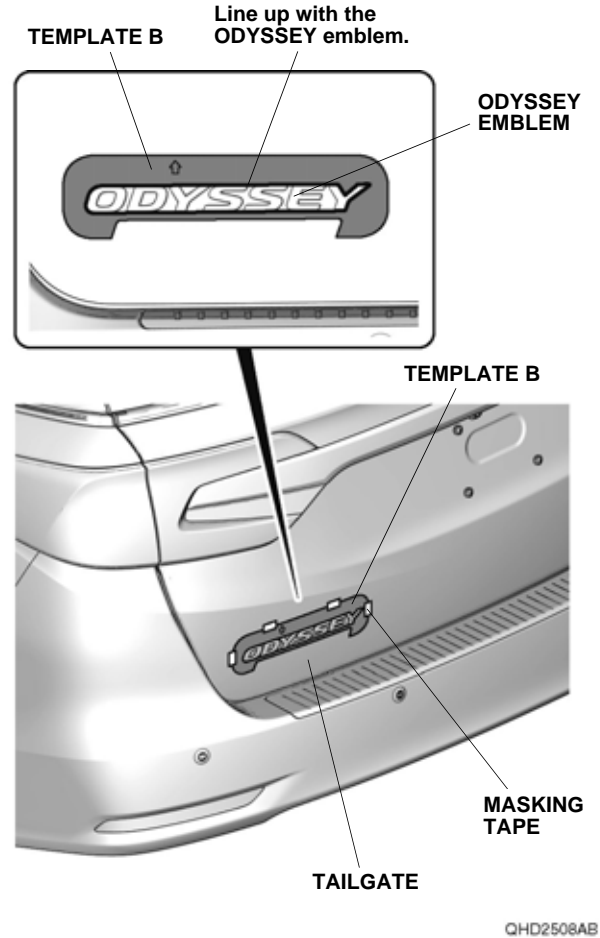


8. Using a rubber roller, apply firm pressure against the left front fender emblem and roll from one end to the other. Remove the template A. NOTE: Apply firm pressure, especially at the ends.

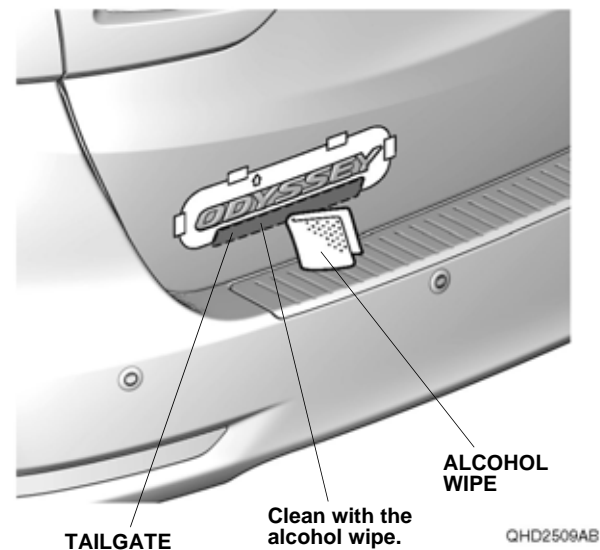


9. Turn the template A over, and repeat steps 1 through 8 on the right side of the vehicle.

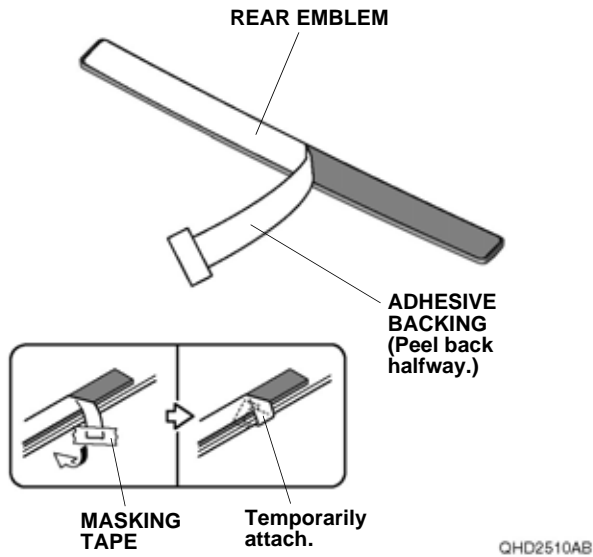
10. Line up the template B with the ODYSSEY emblem, and attach it to the tailgate with masking tape as shown.



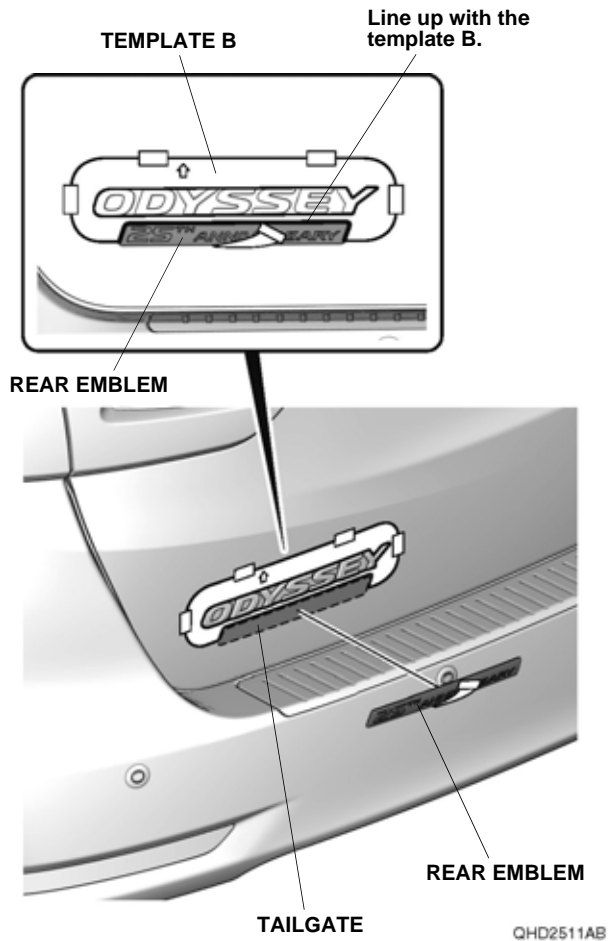
11. Using the alcohol wipe, thoroughly clean the tailgate where the rear emblem will attach.



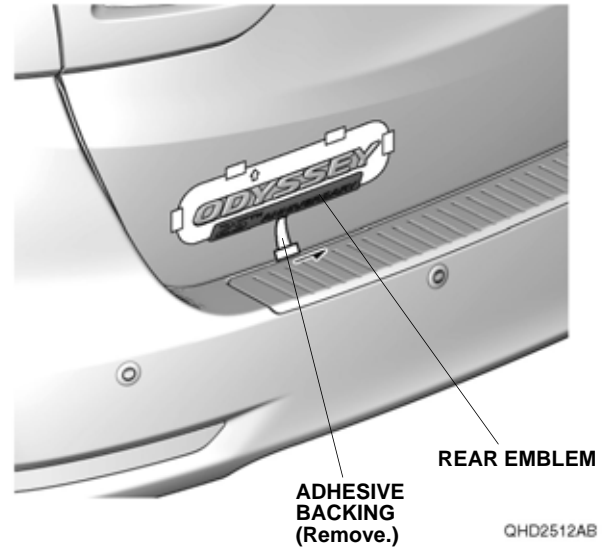
12. Peel back the adhesive backing halfway, and tape it to the front surface of the rear emblem with masking tape.



13. Line up the rear emblem with the template B, and attach it to the tailgate as shown.



14. While applying light pressure against the rear emblem, carefully remove the taped adhesive backing.



15. Using a rubber roller, apply firm pressure against the rear emblem and roll from one end to the other. Remove the template B. NOTE: Apply firm pressure, especially at the ends.

