



## INSTALLATION INSTRUCTIONS

Accessory	Application	Publications No.
DOOR VISORS P/N 08R04-THR-100	2020 ODYSSEY	VERSION 1
		Issue Date JUL 2019

### PARTS LIST

Left front door visor



Right front door visor



Left rear door visor



Right rear door visor



4 Brackets A



4 Brackets B



4 Alcohol swabs



8 Clips

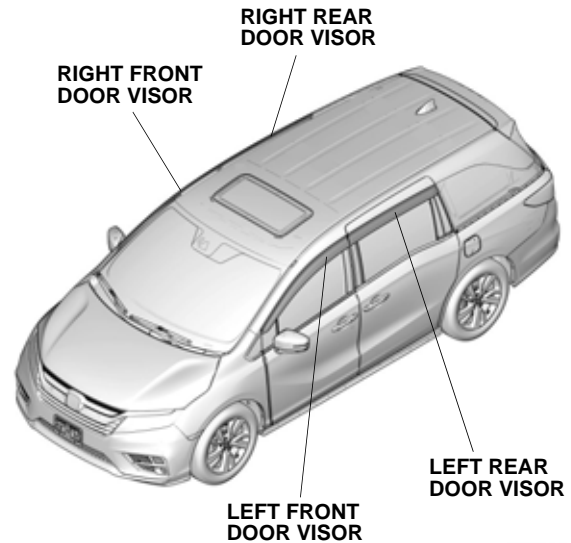


### TOOLS AND SUPPLIES REQUIRED

Masking tape

Ruler

### Illustration of the Door Visors Installed on the Vehicle



QF61301AT

## INSTALLATION

**Customer Information:** The information in this installation instruction is intended for use only by skilled technicians who have the proper tools, equipment, and training to correctly and safely add equipment to your vehicle. These procedures should not be attempted by “do-it-yourselfers.”

### NOTE:

- Be careful not to damage the body paint finish and glass run channels when installing the door visors.
- Handle the door visors with care. They are not designed to absorb shock or impact.
- This kit should be installed only if the ambient air temperature is 15°C (60°F) or above.
- To allow the adhesive to cure, do not wash the vehicle for 24 hours. Make sure your customer is aware of this.

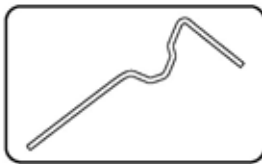
### Installing the Front Door Visors

1. Check the shapes of the brackets A and B before installation.

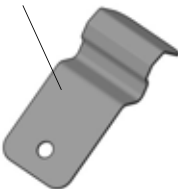
4 BRACKETS A  
(Use on front door.)



SIDE VIEW



4 BRACKETS B  
(Use on sliding door.)

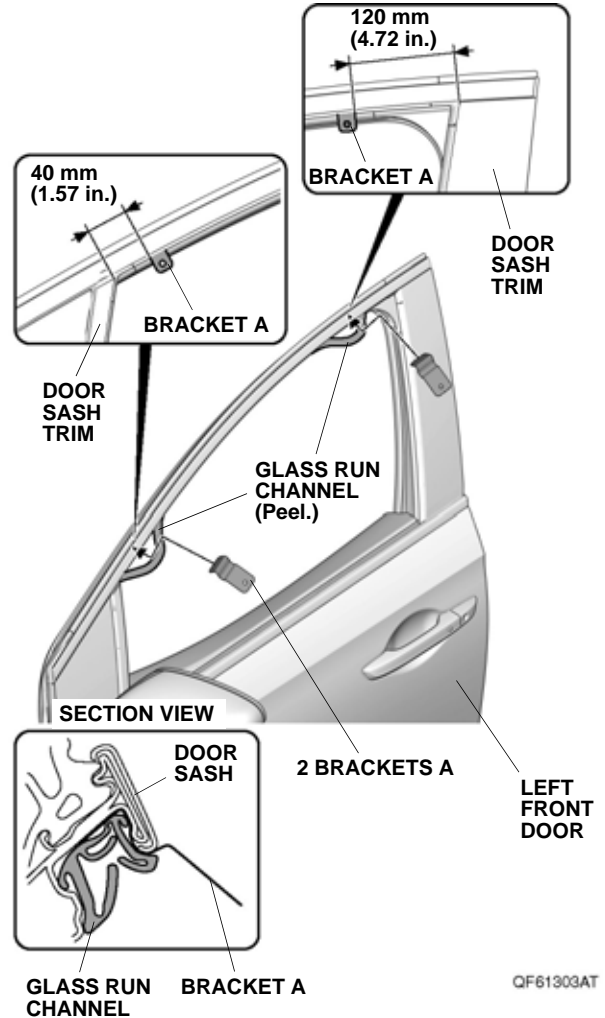


SIDE VIEW



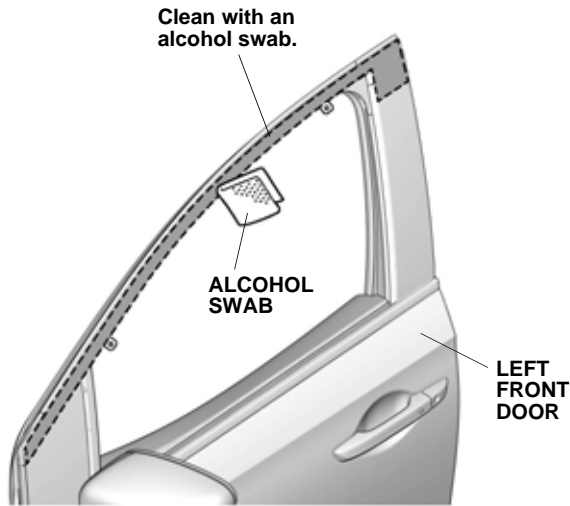
QF61302AT

2. Fully open the left front door glass.



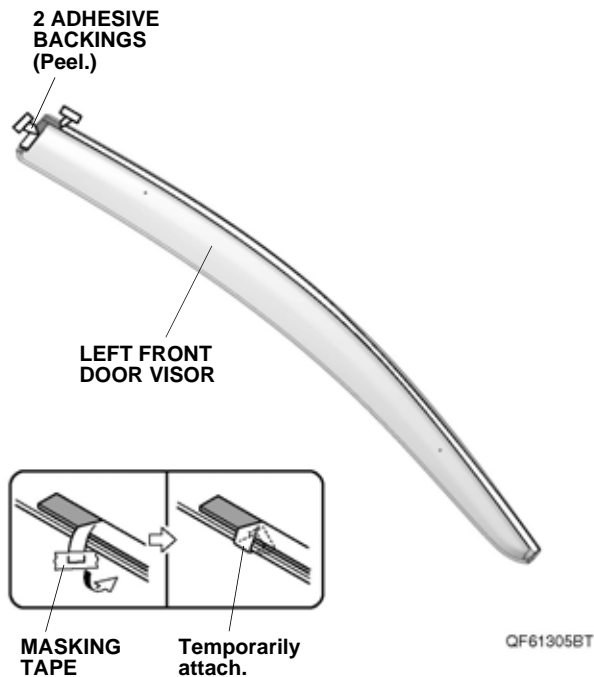
3. Peel the glass run channel.
4. Install two brackets A to the door sash as shown.
5. Install the glass run channel and secure two brackets A. Check that the two brackets A are installed on the door sash as shown. Check that the glass run channel is installed properly.

6. Using an alcohol swab, thoroughly clean the left front door where the left front door visor will attach.

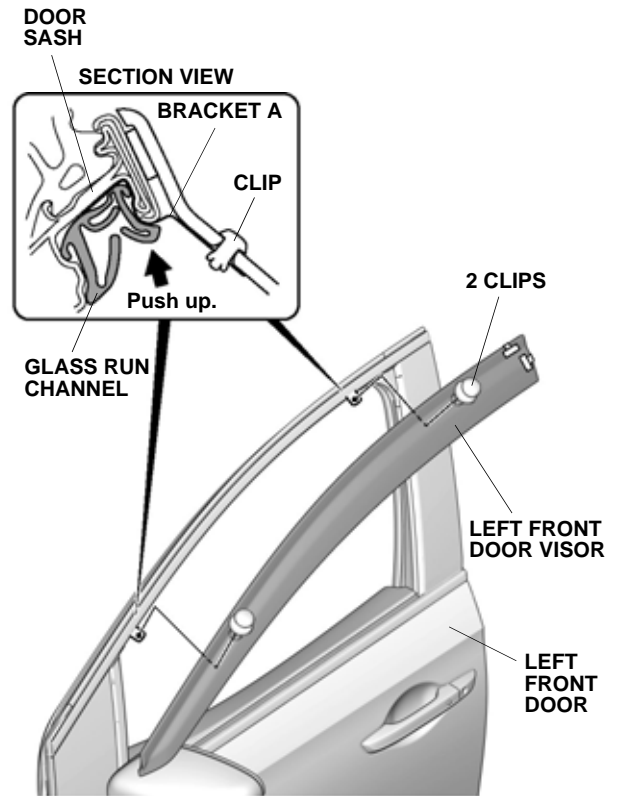


QF61304BT

7. Apply pieces of masking tape to the end of the adhesive backings as shown. Peel back the adhesive backings partway and temporarily attach them to the front surface of the left front door visor.

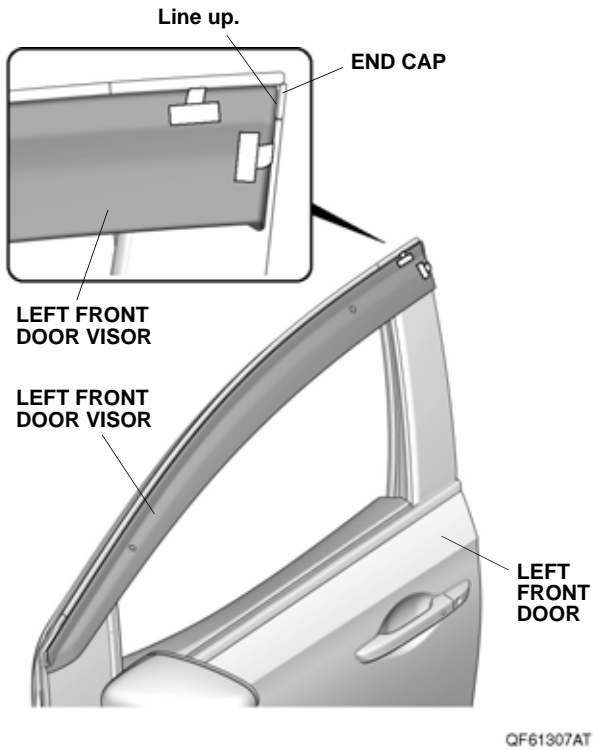


8. Adjust the two brackets A so the holes line up with the two holes on the left front door visor.

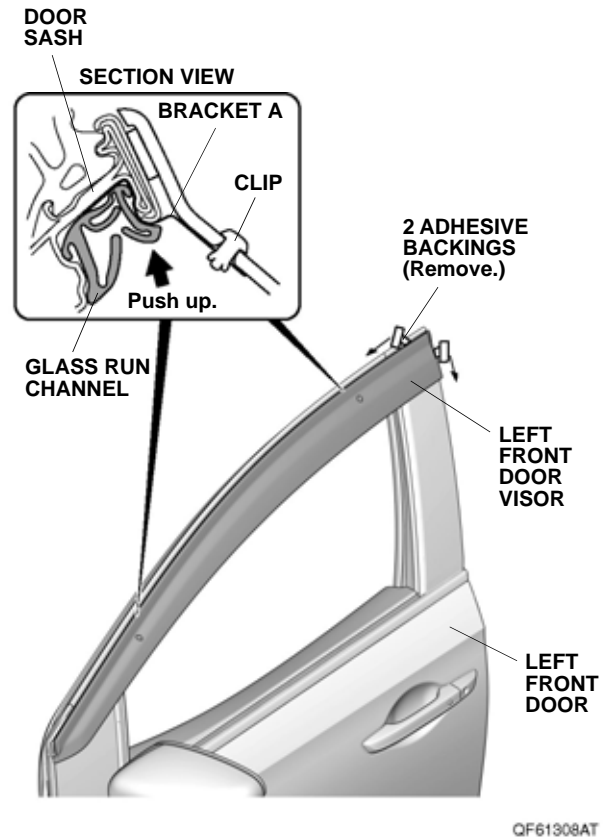


9. Secure the left front door visor to two brackets A with two clips. Make sure to push up on the two brackets A while installing the two clips. NOTE: After installing each clip, do not remove it, or it will be damaged.

10. Adjust the position of the left front door visor as shown.



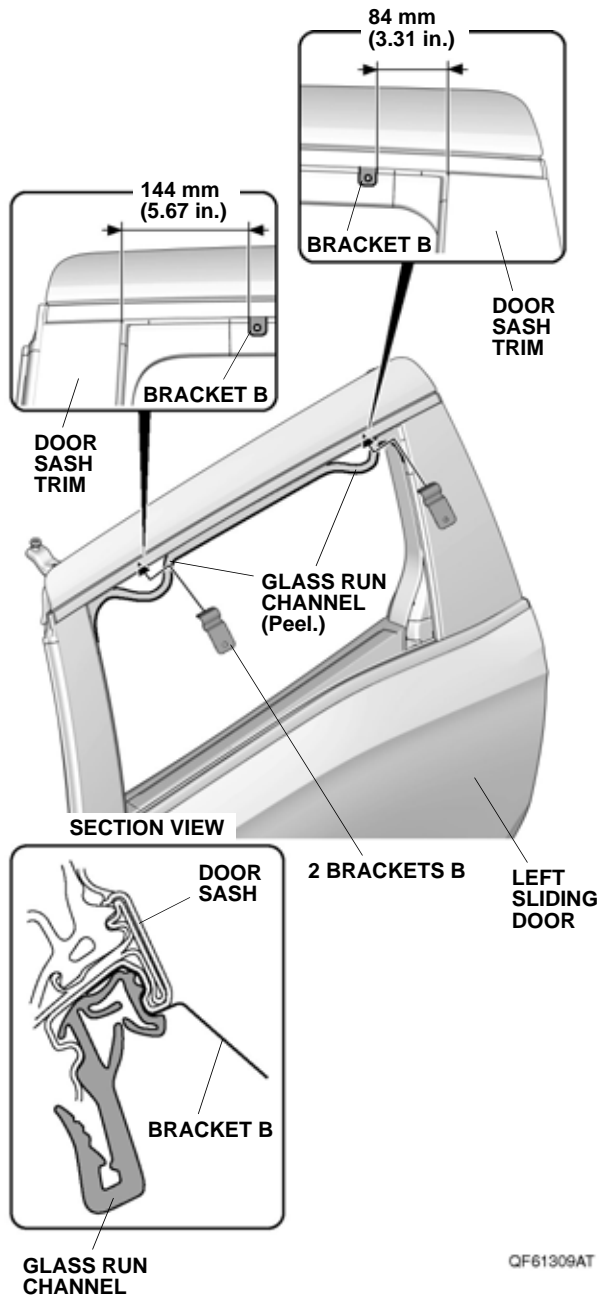
11. While applying light pressure against the left front door visor, carefully remove the taped adhesive backings. Make sure to push up on the two brackets A while removing the adhesive backings. NOTE: While removing the long top piece of adhesive backing, make sure that the left front door visor is positioned so that top edge of door molding is hidden by the door visor.



12. Using the palm of your hand, firmly press the left front door visor against the door sash.

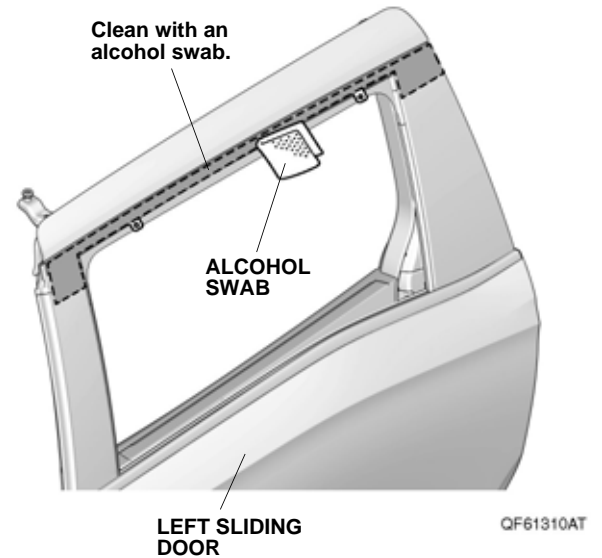
## Installing the Rear Door Visors

13. Fully open the left sliding door glass.

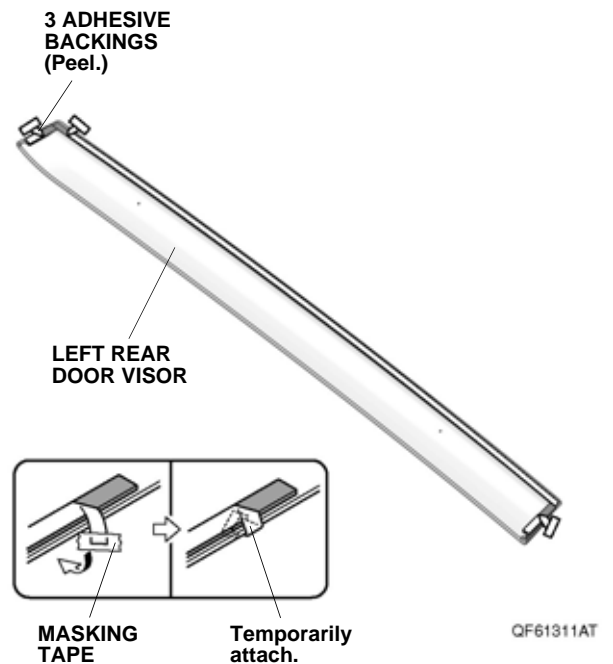


14. Peel the glass run channel.
15. Install two brackets B to the door sash as shown.
16. Install the glass run channel and secure two brackets B. Check that the two brackets B are installed on the door sash as shown. Check that the glass run channel is installed properly.

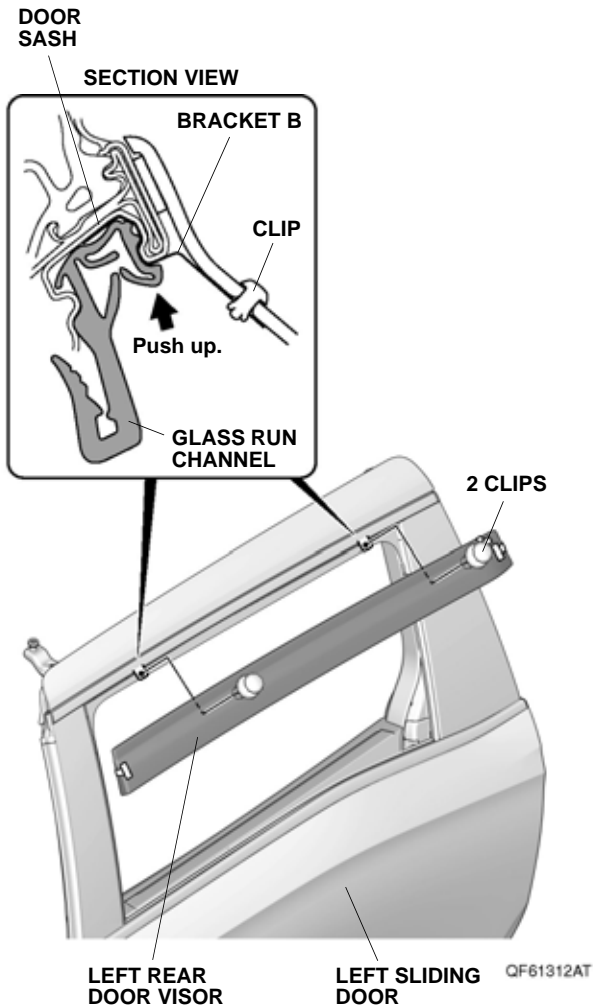
17. Using an alcohol swab, thoroughly clean the left sliding door where the left rear door visor will attach.



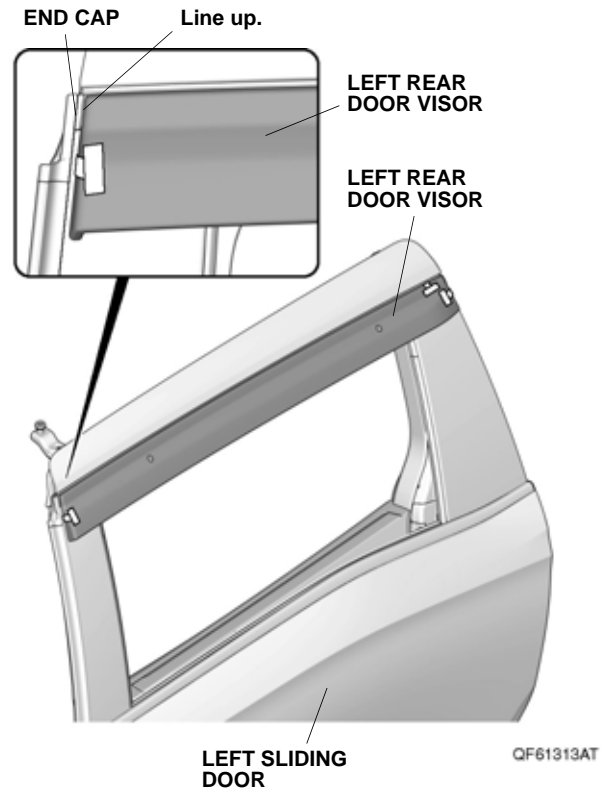
18. Attach pieces of masking tape to the end of the adhesive backings as shown. Peel back the adhesive backings partway and temporarily attach them to the front surface of the left rear door visor.



19. Adjust the two brackets B so the holes line up with the two holes on the left rear door visor.



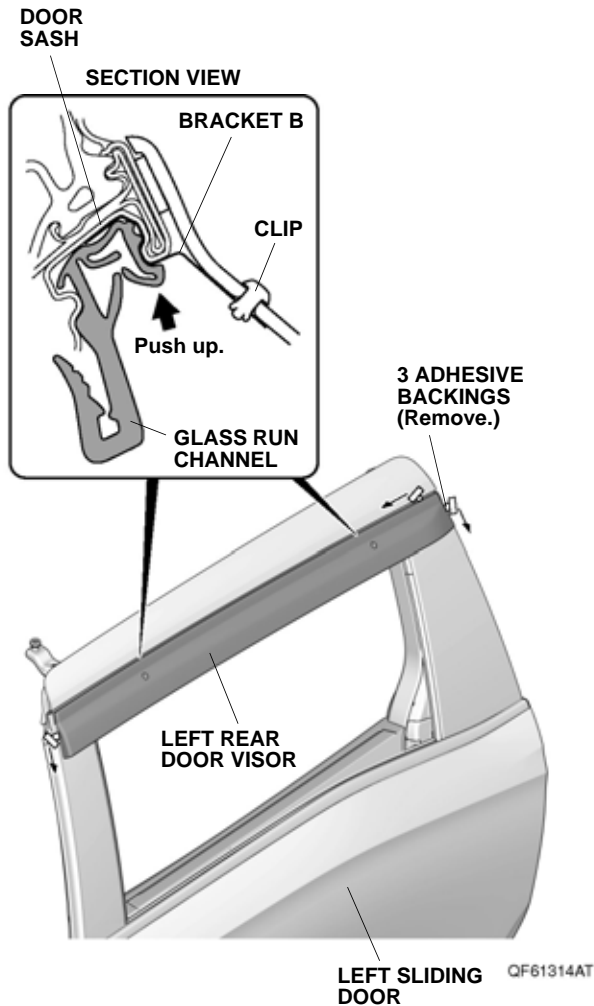
21. Adjust the position of the left rear door visor as shown.



20. Secure the left rear door visor to two brackets B with two clips. Make sure to push up on the two brackets B while installing the two clips.  
NOTE: After installing each clip, do not remove it, or it will be damaged.

22. While applying light pressure against the left rear door visor, carefully remove the taped adhesive backings. Make sure to push up on the two brackets B while removing the adhesive backings.

NOTE: While removing the long top piece of adhesive backing, make sure that the left rear door visor is positioned so that top edge of door molding is hidden by the door visor.



23. Using the palm of your hand, firmly press the left rear door visor against the door sash.
24. Repeat steps 2 through 23 on the right side of the vehicle.

## CONFIRMATION AFTER INSTALLATION

### RESTORATION OPERATIONS

1. Start the engine.
  2. Using the power window switch, fully open the window, and make sure the run channel is not pinched, etc.
  3. Using the power window switch, repeat opening and closing of the window from half-open to fully closed four or five times to allow the run channel to seat.
  4. Refer to the service information, to reset the power windows. (If the automatic closing/opening does not function after the reset, reset again.)
  5. Refer to the service information, to perform the power window "learning" procedure. (If the automatic closing/opening does not function after the learning, carry out "learning" again.)
- The operations in the steps 4 and 5 should be applied to all power windows having the automatic closing/opening function to allow for proper functioning of the auto-reverse feature.