



## INSTALLATION INSTRUCTIONS

Accessory  
**CARGO NET**  
 P/N 08L96-THR-100

Application  
**2020 ODYSSEY**

Publications No.  
**VERSION 1**  
 Issue Date  
**JUL 2019**

### PARTS LIST

Cargo net



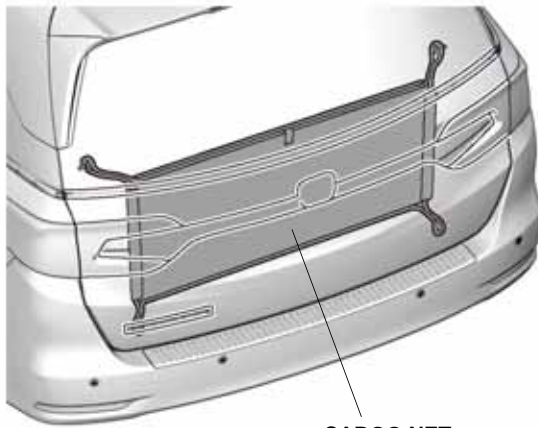
2 Bolts



2 Anchors



### Illustration of the Cargo Net on the Vehicle



CARGO NET

QF52301AA

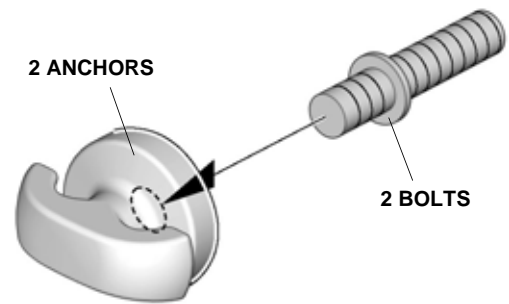
### INSTALLATION

**Customer Information:** The information in this installation instruction is intended for use only by skilled technicians who have the proper tools, equipment, and training to correctly and safely add equipment to your vehicle. These procedures should not be attempted by “do-it-yourselfers.”

NOTE: Be careful not to damage the body.

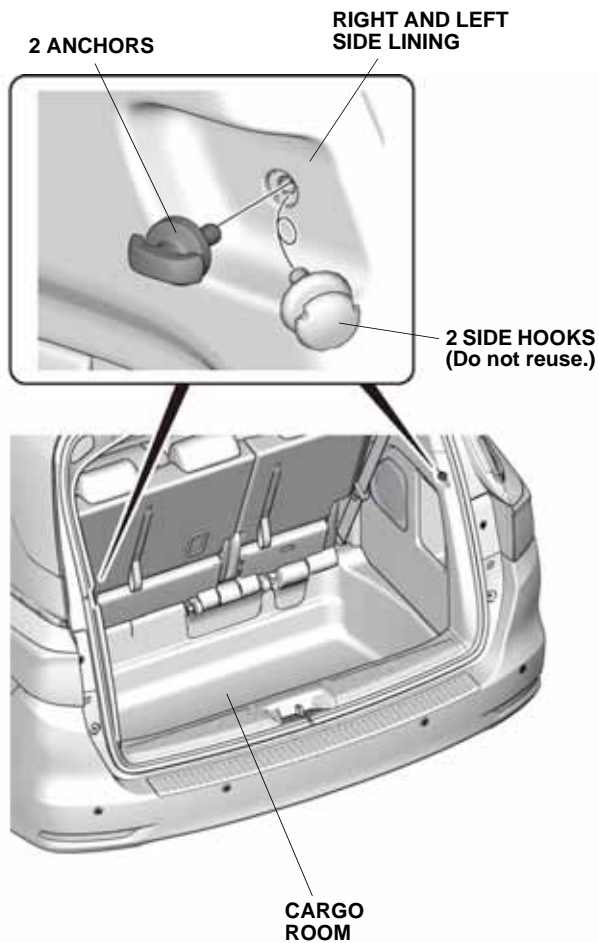
#### Installing the Cargo Net

1. Install each bolt into an anchor.



QE31201AU

2. Remove the two side hooks on the right and left side lining as shown. Install two anchors into the right and left side lining.



3. Install the cargo net onto the anchors and side hooks as shown.

