



## INSTALLATION INSTRUCTIONS

Accessory  
SIDE PROTECTORS  
P/N 08P05-THR-100

Application  
2020 ODYSSEY

Publications No.  
**VERSION 1**  
Issue Date  
**JUL 2019**

### PARTS LIST

Left front side protector



Right front side protector



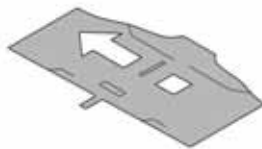
Left rear side protector



Right rear side protector



Template A



Template B



4 Alcohol swabs



### TOOLS AND SUPPLIES REQUIRED

Masking tape

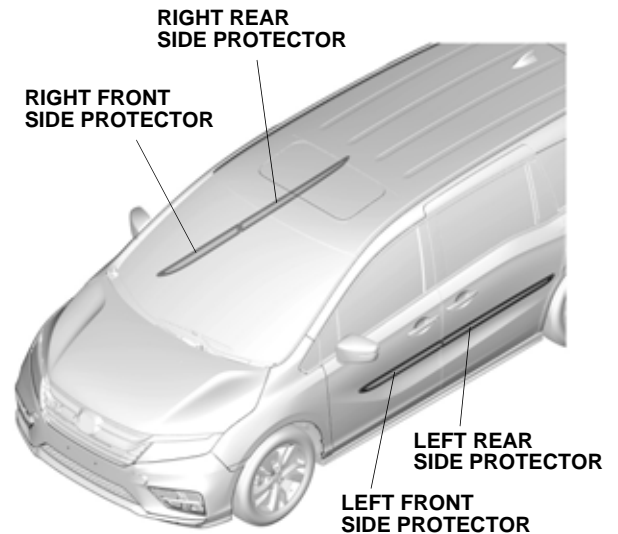
Ruler

Felt-tip pen

*The following tool is available through the Honda Tool and Equipment Program. On the iN, click on Service > Service Bay > Tool and Equipment Program, then enter the number under "Search." Or, call 888-424-6857.*

Rubber Roller (T/N MHLE54D)

### Illustration of the Side Protectors Installed on the Vehicle



QF80750AH

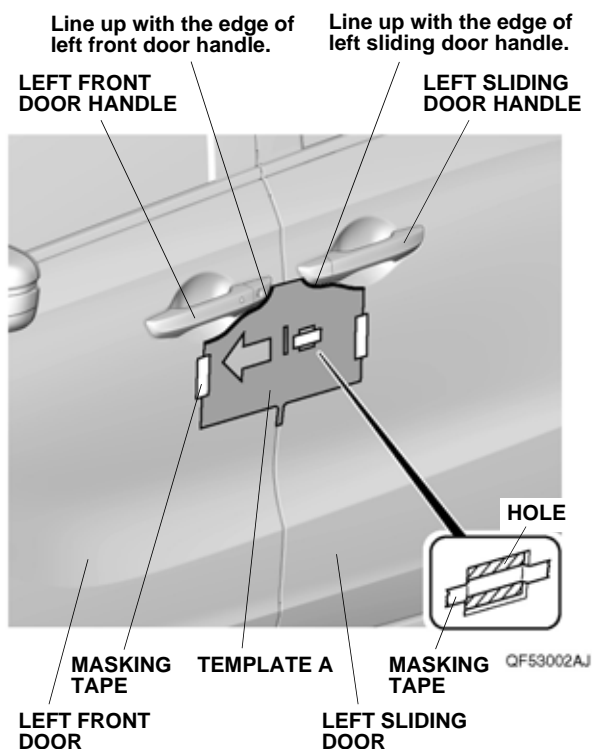
## INSTALLATION

**Customer Information:** The information in this installation instruction is intended for use only by skilled technicians who have the proper tools, equipment, and training to correctly and safely add equipment to your vehicle. These procedures should not be attempted by "do-it-yourselfers."

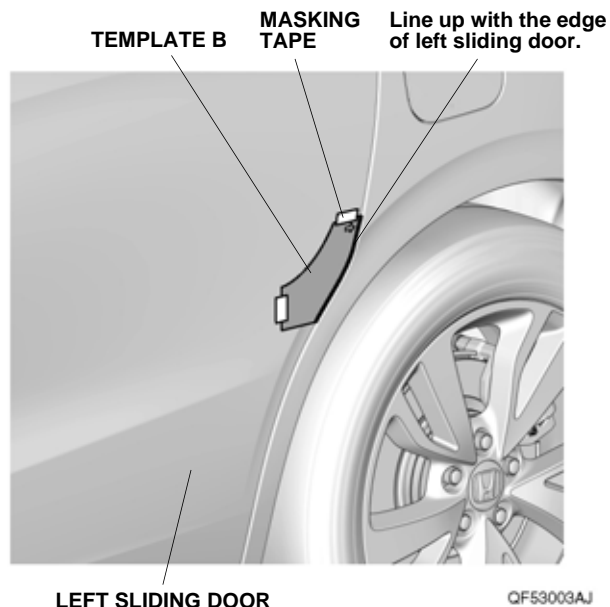
### NOTE:

- If you are also installing door edge guards (sold separately), install them after you install the side protectors.
- If you are also installing door edge film (sold separately), install it after you install the side protectors.
- Be careful not to damage the body paint finish.
- This side protector kit should be installed only if the ambient air temperature is 15°C (60°F) or above.
- To allow the adhesive to cure, do not wash the vehicle for 24 hours. Make sure the customer is aware of this.

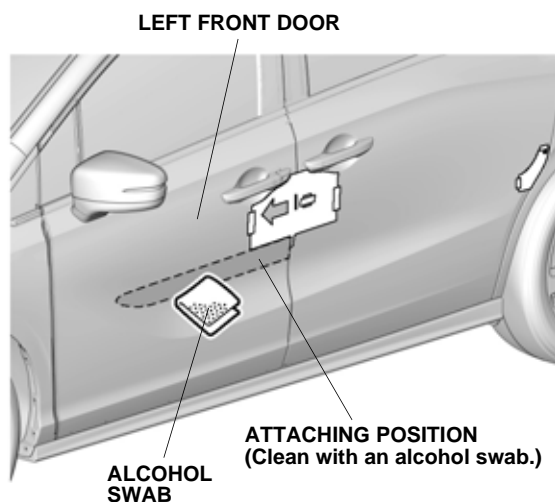
1. Line up template A with the edge of the left front and sliding door handles, making sure the arrow hole points to the front of the vehicle. Then, attach template A to the left front and sliding doors with masking tape as shown.



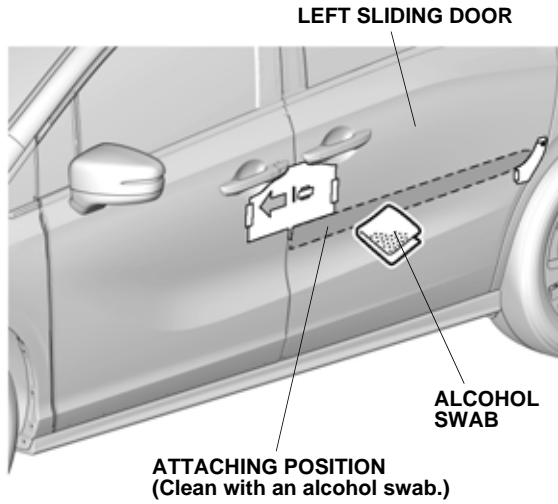
2. Line up template B with the edge of the left sliding door, making sure the arrow hole points to the rear of the vehicle. Then, attach template A to the left sliding door with masking tape as shown.



3. Using an alcohol swab, thoroughly clean the left front door where the left front side protector will attach.

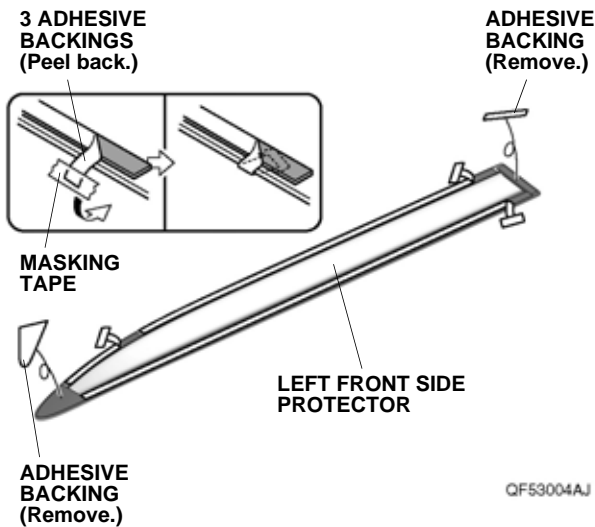


- Using an alcohol swab, thoroughly clean the left sliding door where the left rear side protector will attach.



QF70201AH

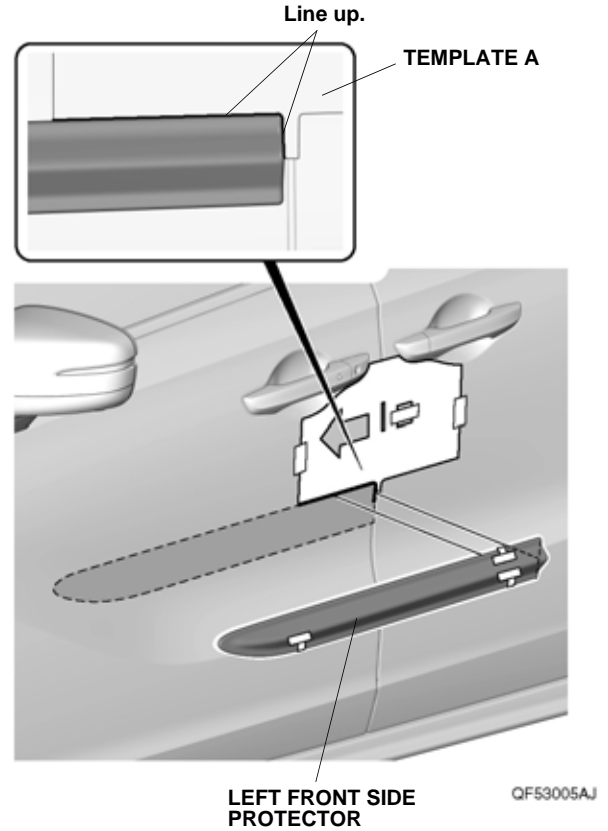
- Peel back the adhesive backings, and tape them to the front surface of the left front side protector with masking tape. Remove the other adhesive backings.



QF53004AJ

If the vehicle is equipped with door edge guards or door edge film, go to step 7; otherwise, continue with step 6.

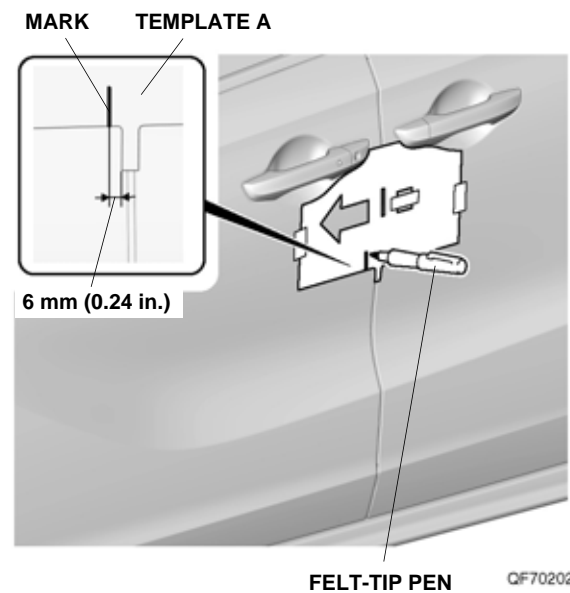
- Line up the left front side protector with template A and install the left front side protector on the left front door. Go to step 9.



QF53005AJ

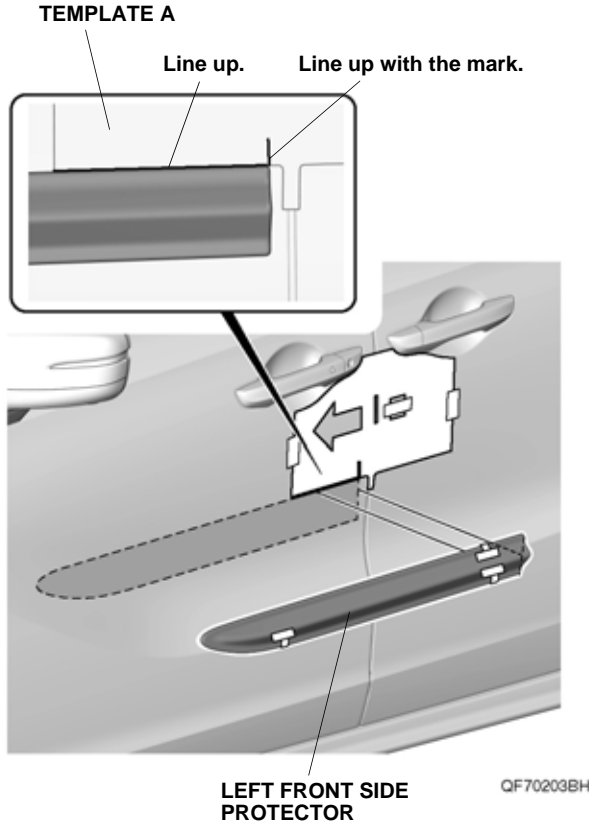
With Door Edge Guards or Door Edge Film

- Mark template A as shown.

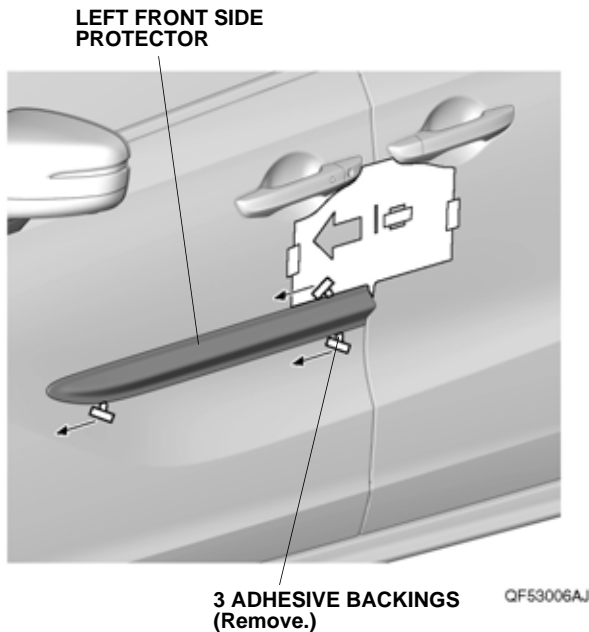


QF70202CH

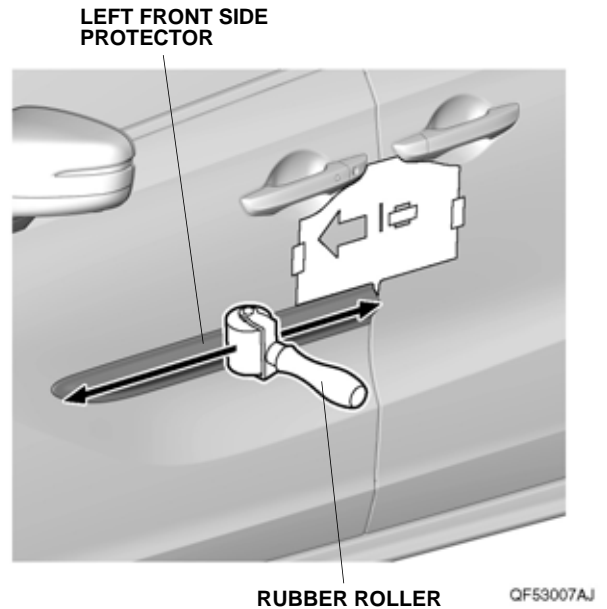
8. Line up the left front side protector with the mark and template A, and install the left front side protector on the left front door.



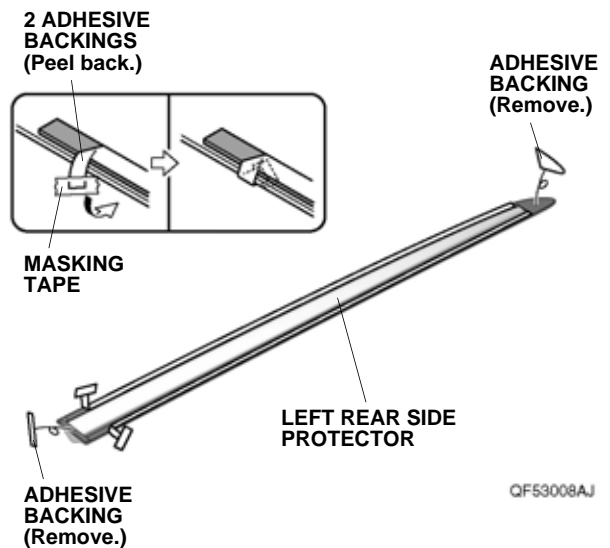
9. While applying light pressure against the left front side protector, carefully remove the taped adhesive backings.



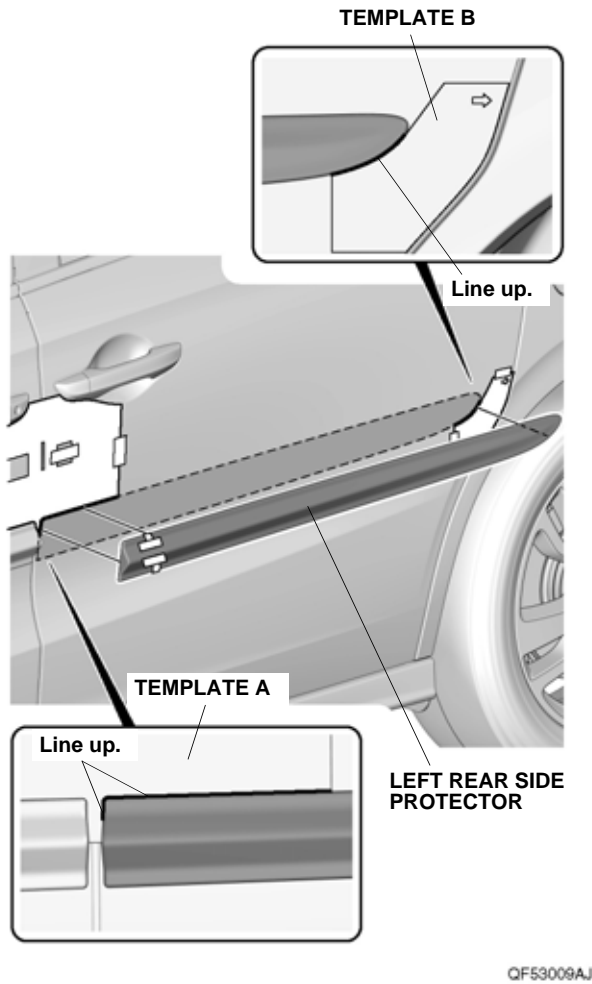
10. Using the rubber roller, apply firm pressure while rolling, especially at the ends, to set the adhesive.



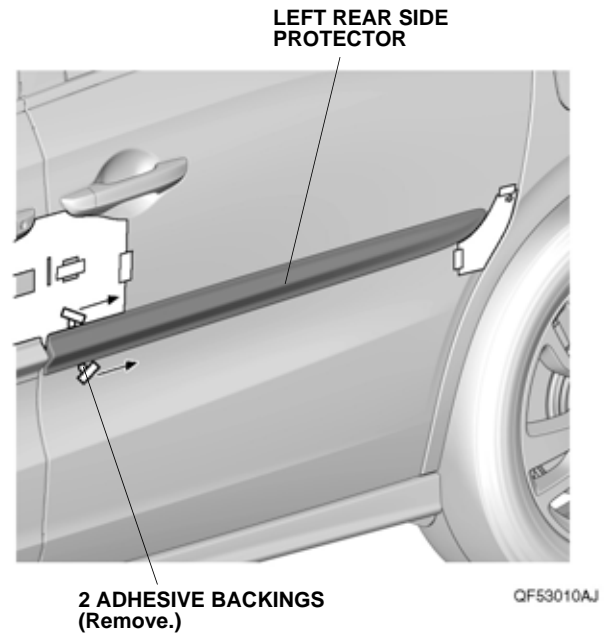
11. Peel back the adhesive backings, and tape them to the front surface of the left rear side protector with masking tape. Remove the other adhesive backings.



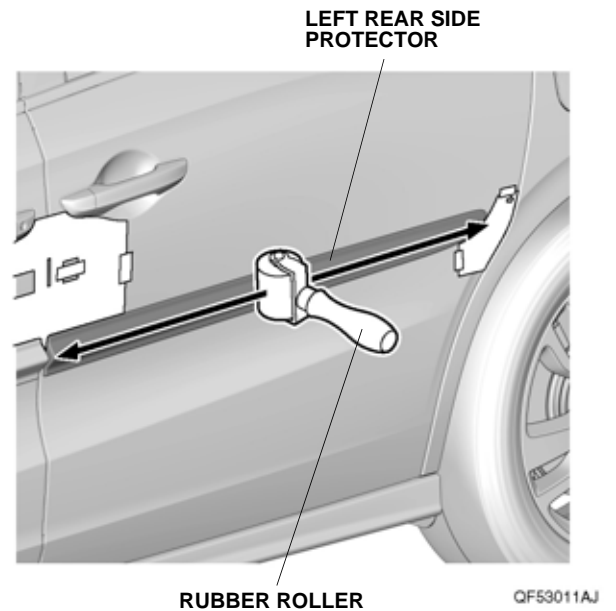
- Line up the left rear side protector with template A and template B, and install the left rear side protector on the left sliding door.



- While applying light pressure against the left rear side protector, carefully remove the taped adhesive backings.



- Using the rubber roller, apply firm pressure while rolling, especially at the ends, to set the adhesive.



- Remove the templates.
- Turn the templates over, and repeat steps 1 through 15 to install the right side protectors.