



## INSTALLATION INSTRUCTIONS

Accessory

DOOR EDGE FILM  
P/N 08P20-THR-100

Application

2019 ODYSSEY

Publications No.

VERSION 1

Issue Date

MAR 2018

### PARTS LIST

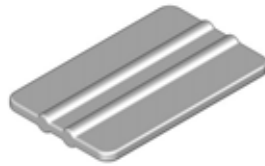
Left door edge film  
(Identification mark: FR-L)



Right door edge film  
(Identification mark: FR-R)



Applicator



Soft sleeve



2 Alcohol swabs



### TOOLS AND SUPPLIES REQUIRED

Shop towel

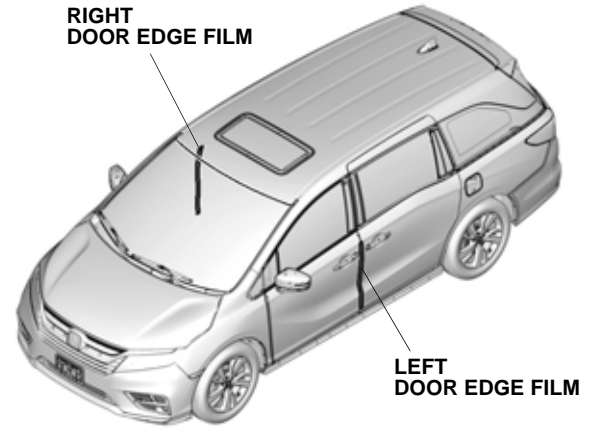
Spray bottle

3M Protective tape application solution

Scissors

Ruler

### Illustration of the Door Edge Films Installed on the Vehicle



QF60308AJ

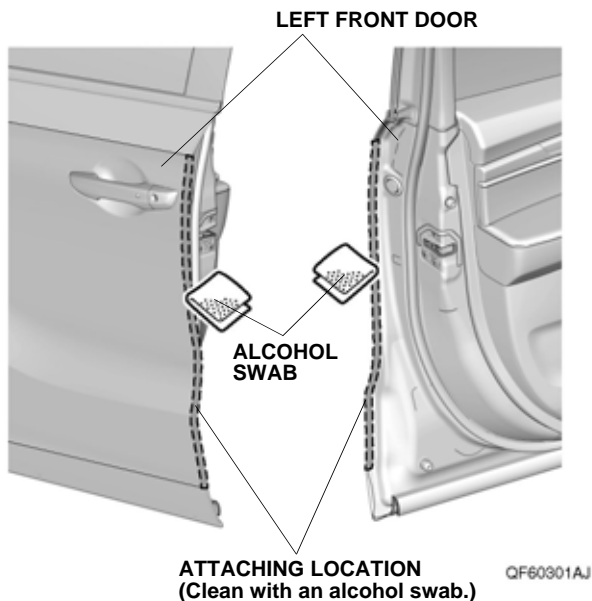
### INSTALLATION

**Customer Information:** The information in this installation instruction is intended for use only by skilled technicians who have the proper tools, equipment, and training to correctly and safely add equipment to your vehicle. These procedures should not be attempted by "do-it-yourselfers."

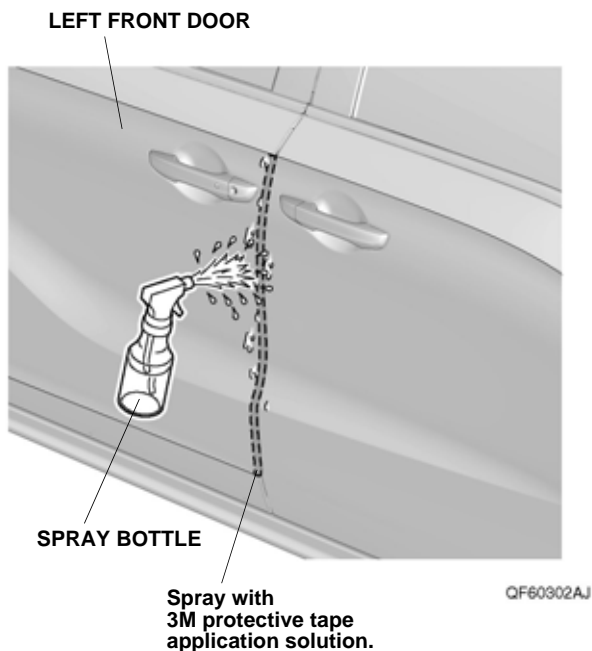
#### NOTE:

- If you are also installing side protectors (sold separately), install them before you install the door edge films.
- Be careful not to damage the body paint finish.
- This kit should be installed only if the ambient air temperature is 15°C (60°F) or above.
- To allow the adhesive to cure, do not wash the vehicle for 24 hours. Make sure the customer is aware of this.

1. Identify each door edge film by referring to the identification marks.
2. Open the left front door. Using an alcohol swab, thoroughly clean the area where the left door edge film will attach.



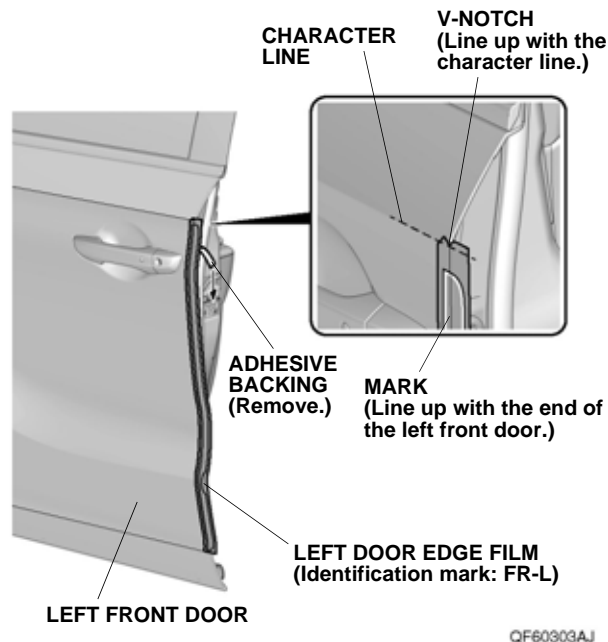
3. Close the left front door.



4. Using a spray bottle with the 3M protective tape application solution, spray the outside of the left front door where the left door edge film will attach. **NOTE:** Do not spray the inner surface.

**If the vehicle is equipped with side protectors, go to step 7; otherwise, continue with step 5.**

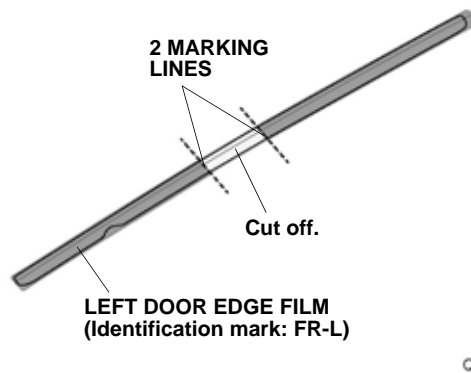
5. Open the left front door again. Peel back about 50 mm (2.0 in.) of adhesive backing from the left door edge film. Line up the V-notch in the left door edge film with the character line of the left front door.



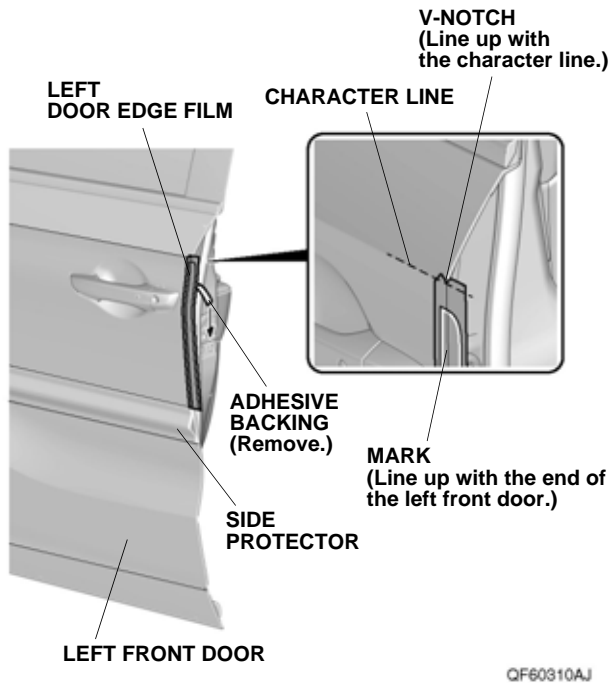
6. Line up the mark on the left door edge film with the end of the left front door. While applying light pressure, carefully remove the adhesive backing. Then, go to step 12.

## With Side Protectors

7. Using scissors, cut the left door edge film as shown.

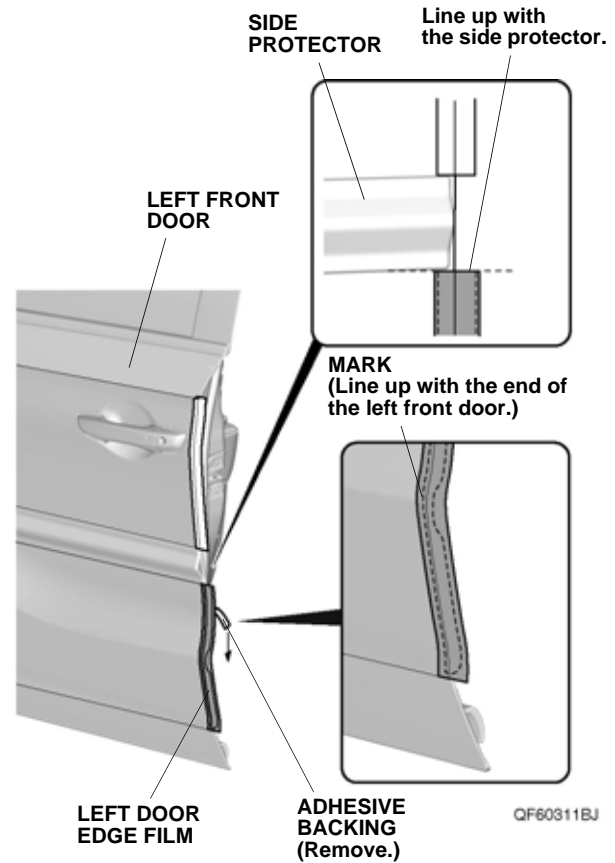


8. Open the left front door again. Peel back about 50 mm (2.0 in.) of adhesive backing from the upper part of the left door edge film. Line up the V-notch in the left door edge film with the character line of the left front door.



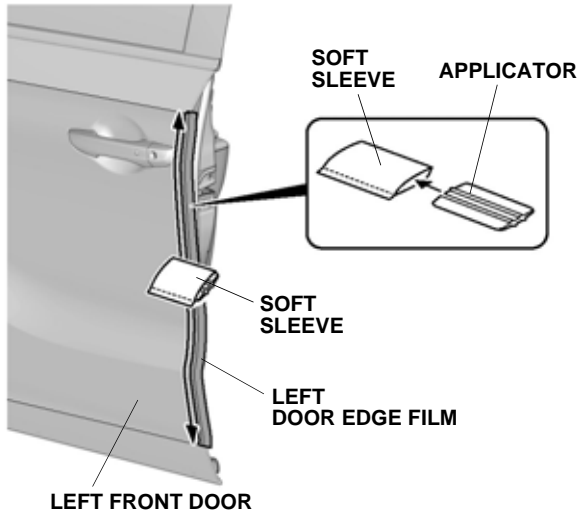
9. Line up the mark on the upper part of the left door edge film with the end of the left front door. While applying light pressure, carefully remove the adhesive backing.

10. Peel back about 50 mm (2.0 in.) of adhesive backing from the lower part of the left door edge film. Line up it with the side protector on the left front door.



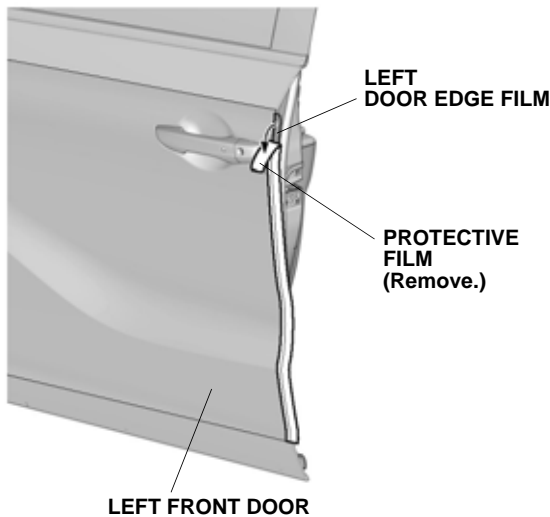
11. Line up the mark on the lower part of the left door edge film with the end of the left front door. While applying light pressure, carefully remove the adhesive backing.

12. Insert the applicator into the soft sleeve. Starting from the center and working outward, use the soft sleeve to smooth the left door edge film. Move the soft sleeve in one direction only.



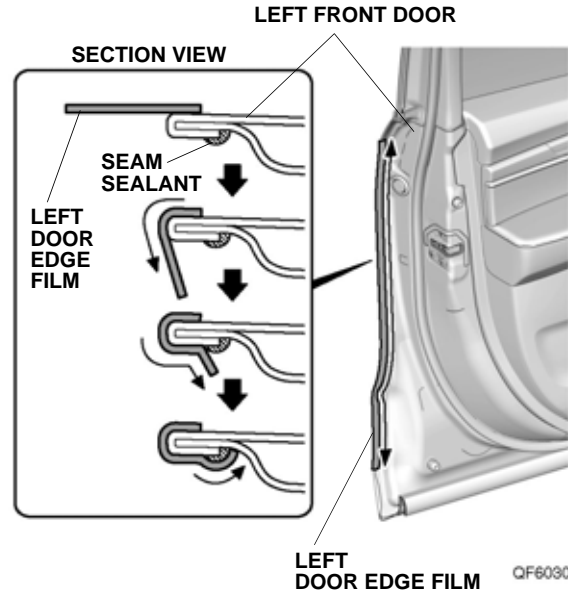
QF60304AJ

13. Slowly remove the protective film from the left door edge film.



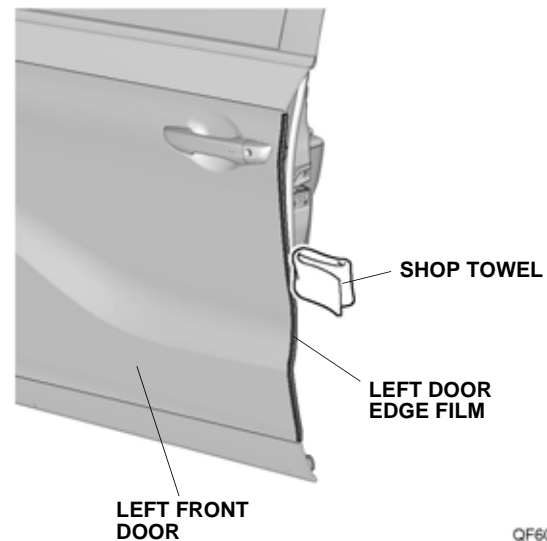
QF60305AJ

14. Starting from the center and working outward, use your fingers to fold the left door edge film around the edge of the left front door. Move your fingers in one direction. Attach the left door edge film over the seam sealant. Do not trim or damage the seam sealant.



LEFT DOOR EDGE FILM QF60306AJ

15. Using a shop towel, wipe the excess 3M protective tape application solution from the left door edge film. Allow the left door edge film to dry thoroughly.



QF60312AJ

16. Repeat steps 2 through 15 to install the right door edge film.