



## INSTALLATION INSTRUCTIONS

Accessory	Application	Publications No.
SECOND ROW SEAT COVERS	2019 ODYSSEY	VERSION 1
		Issue Date MAR 2018

### PARTS LIST

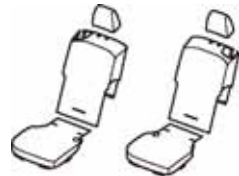
**Second Row Seat Covers Kit  
(with center second row seat and armrests)**  
P/N 08P32-THR-100

Second row seat covers



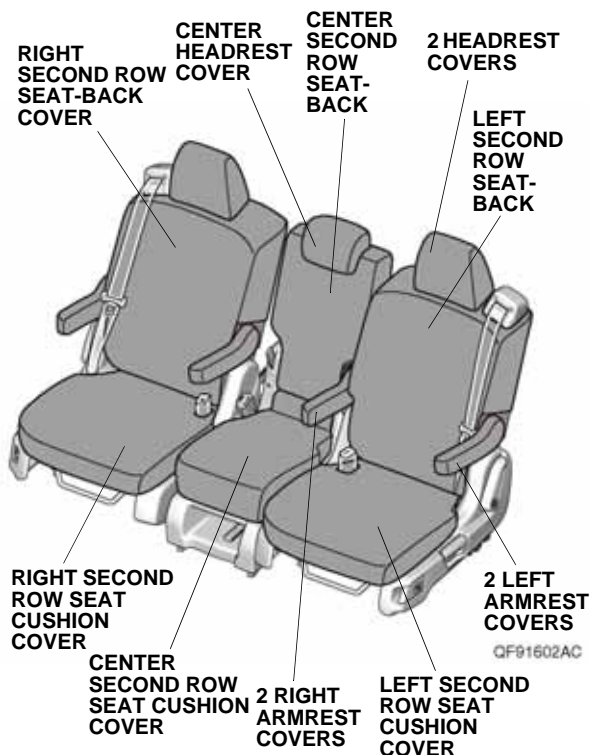
**Second Row Seat Covers Kit  
(without center second row seat and armrests)**  
P/N 08P32-THR-100A

Second row seat covers

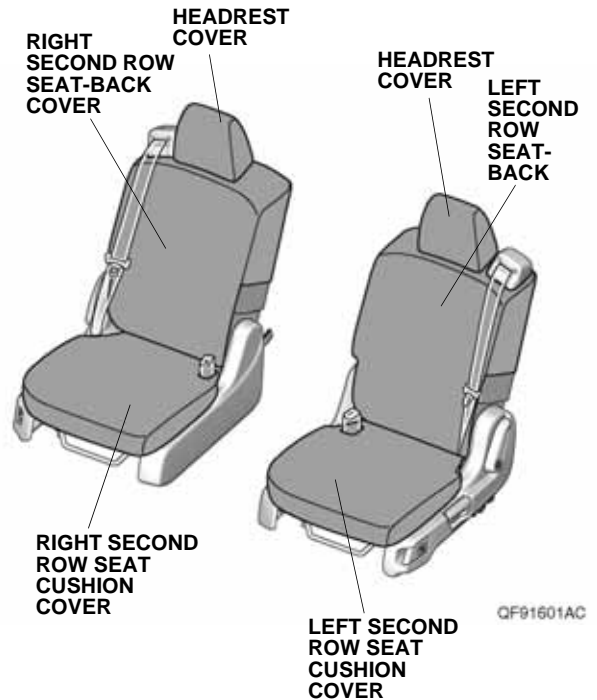


### Illustration of the Second Row Seat Covers in the Vehicle

With center second row seat and armrests



Without center second row seat and armrests



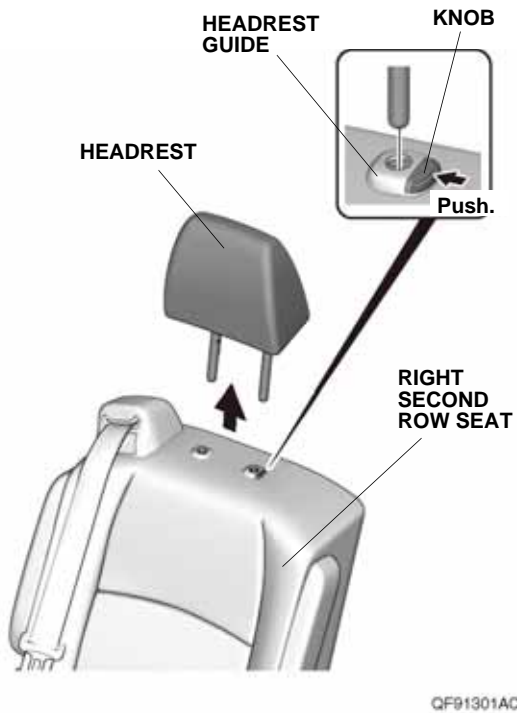
### INSTALLATION

#### NOTE:

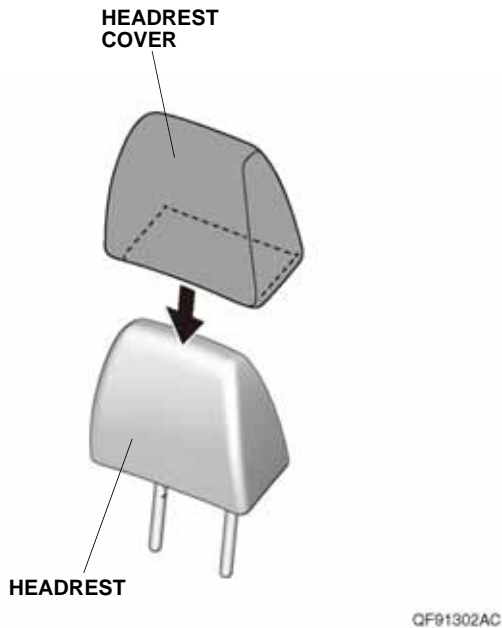
- Do not damage the vehicle during installation.
- Do not install the seat covers on the front seats. Covering the front seat may prevent the side airbag from inflating during a side impact.
- Identify each seat cover by the tags on the back.

## Installing the Second Row Seat Covers

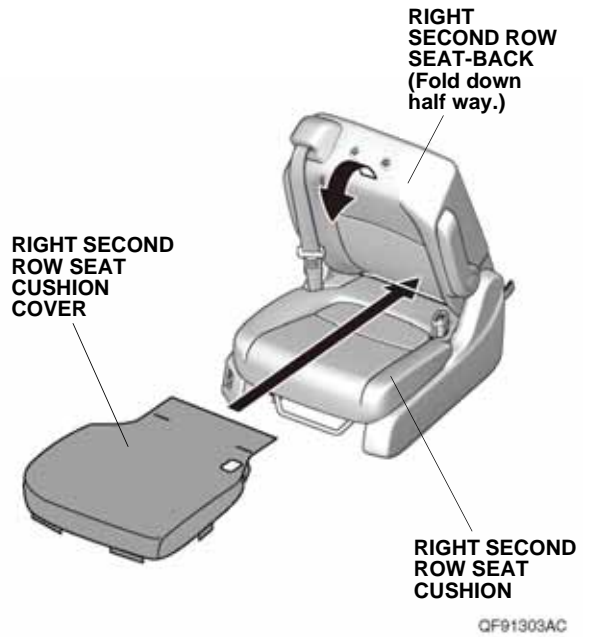
1. While pressing the headrest guide knob, remove the headrest from the right second row seat by pulling it upward.



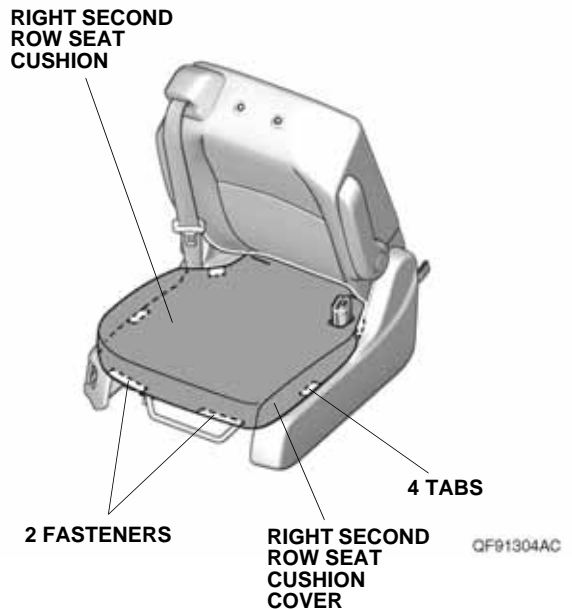
2. Fit the headrest cover onto the headrest.



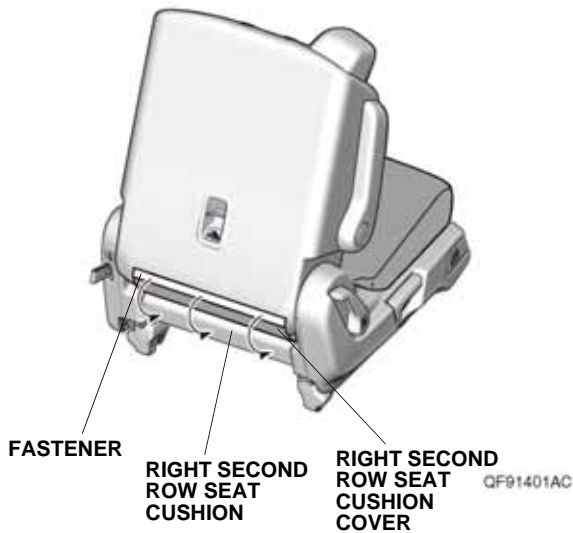
3. Fold the right second row seat-back half way down. Fit the right second row seat cushion cover onto the right second row seat cushion.



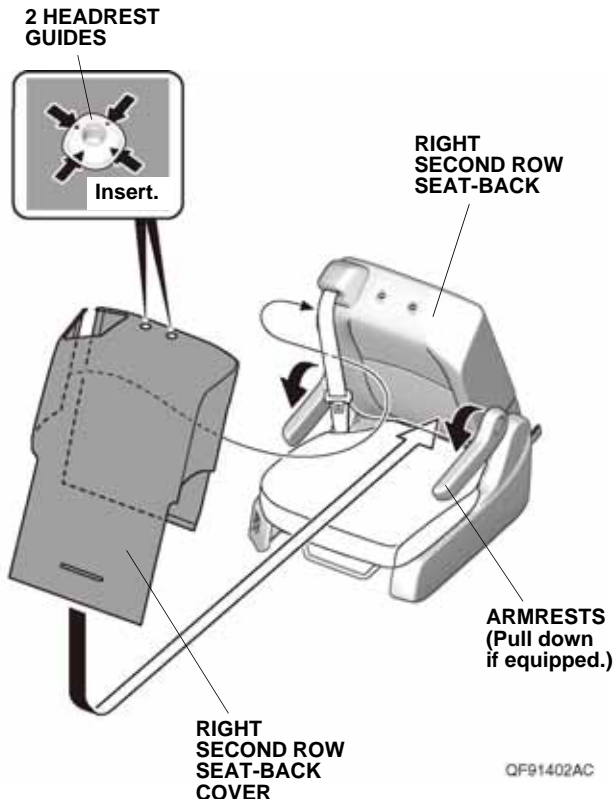
4. Secure the right second row seat cushion cover to the right second row seat cushion with the four tabs and two fasteners.



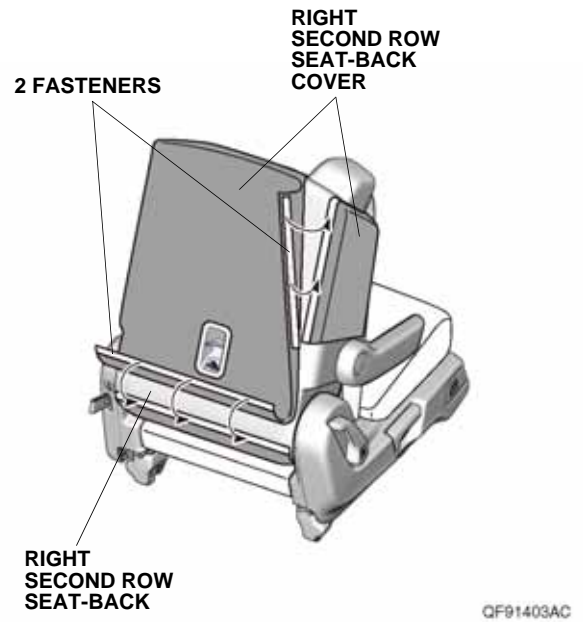
- Secure the right second row seat cushion cover to the right second row seat cushion with one fastener.



- Pull down the armrests (if equipped). Fit the right second row seat-back cover onto the right second row seat-back through the seat belt. Insert the right second row seat-back cover under each headrest guide.



- Secure the right second row seat-back cover with two fasteners.

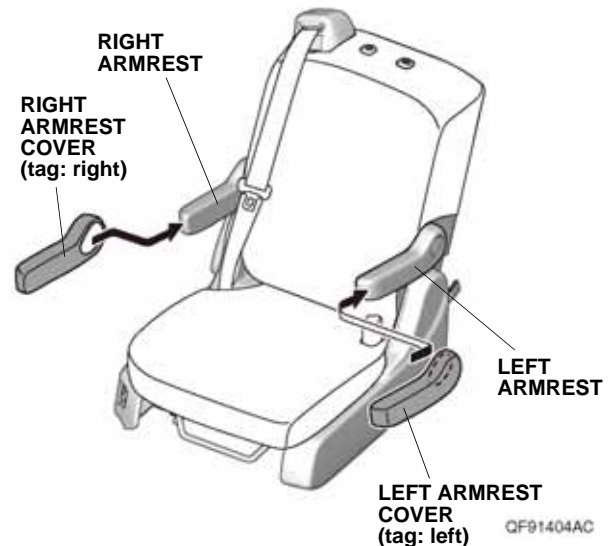


- Raise the right second row seat-back.

**If the vehicle is equipped with armrests, continue with step 9; otherwise, go to step 10.**

### With armrests

- Fit the left and right armrest covers onto the left and right armrests.  
NOTE: Check the tag on the armrest cover to ensure correct orientation.

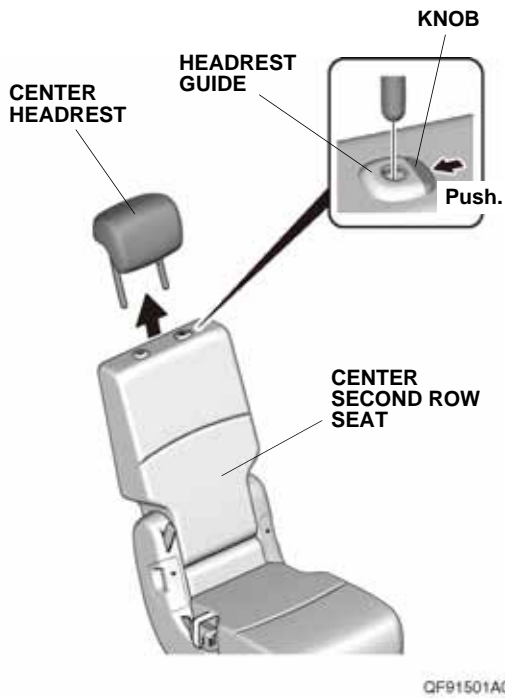


- Repeat steps 1 through 9 on the left side of the vehicle.
- Install the headrests on the second row seats.

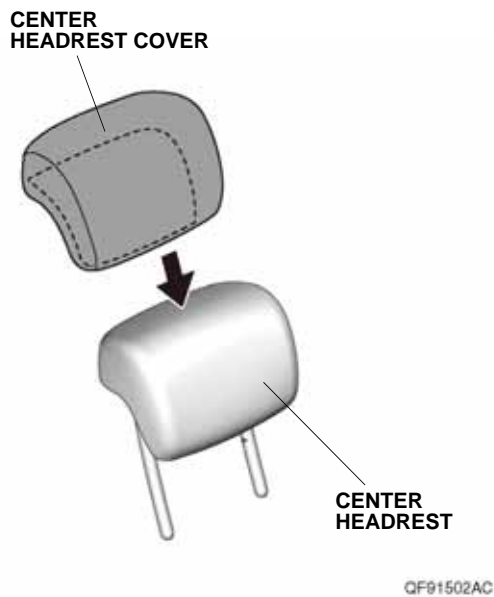
If the vehicle is equipped with the center second row seat, continue with step 12.

## With center second row seat

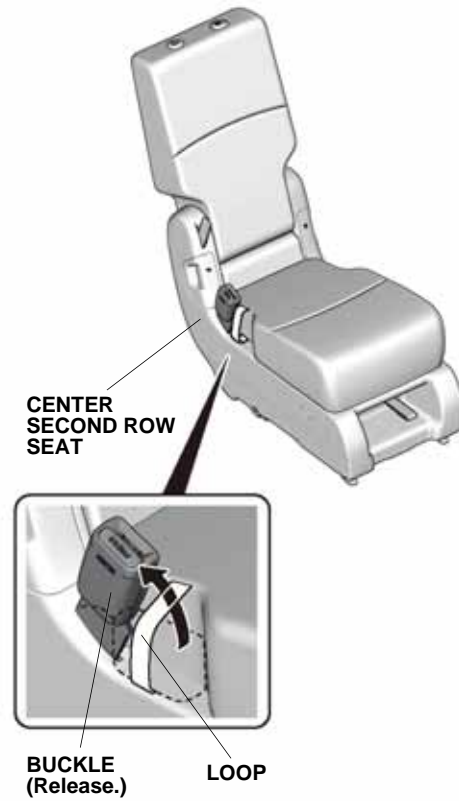
12. While pressing the headrest guide knob, remove the center headrest from the center second row seat by pulling it upward.



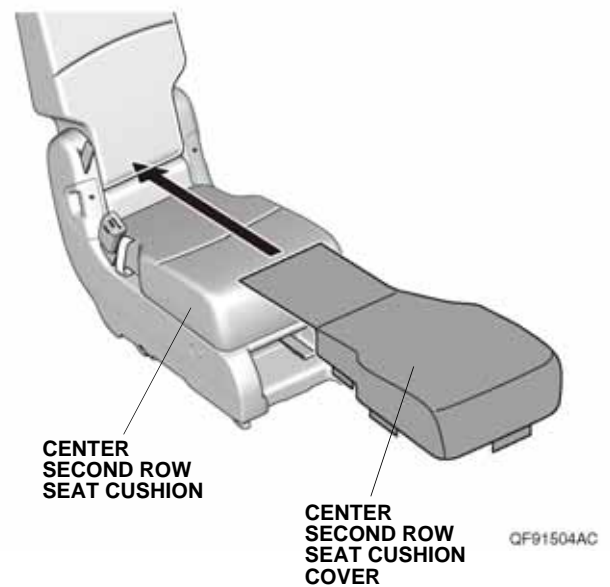
13. Fit the center headrest cover onto the center headrest.



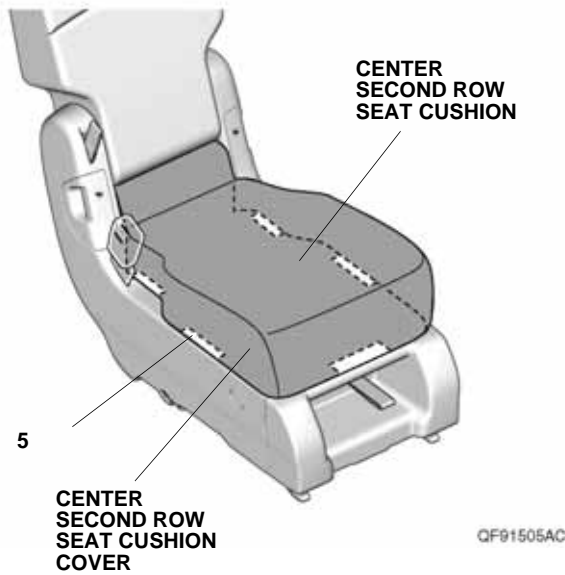
14. Release the seat belt buckle from the loop.



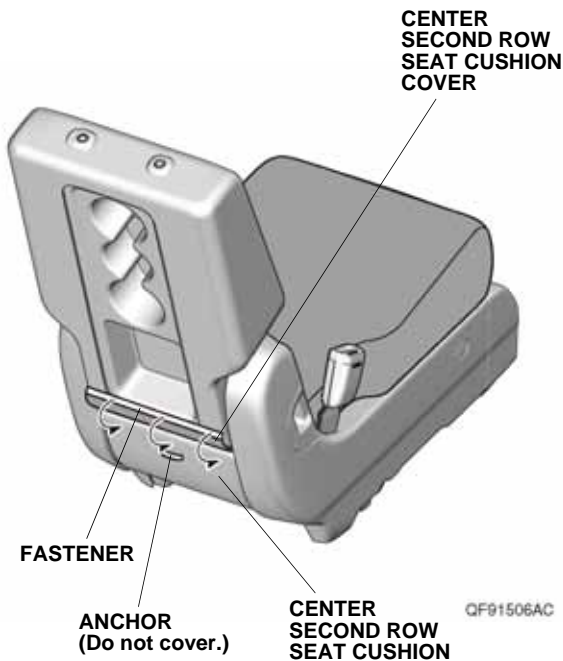
15. Fit the center second row seat cushion cover onto the center second row seat cushion.



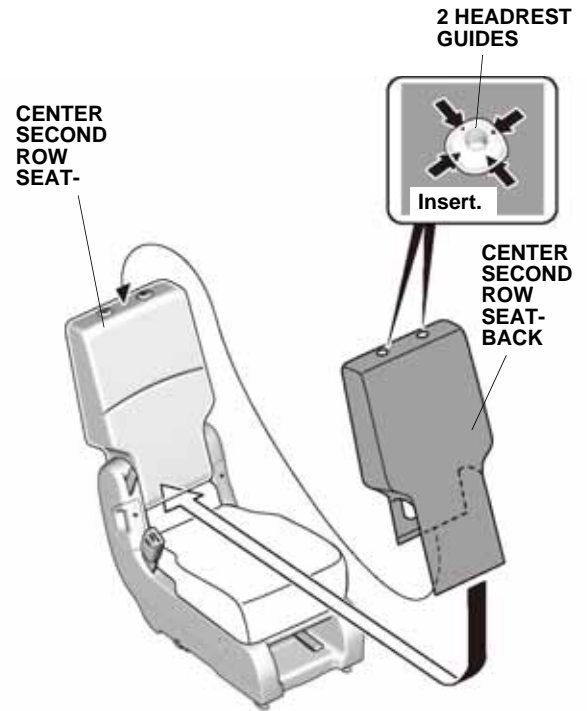
16. Secure the center second row seat cushion cover to the center second row seat cushion with five tabs.



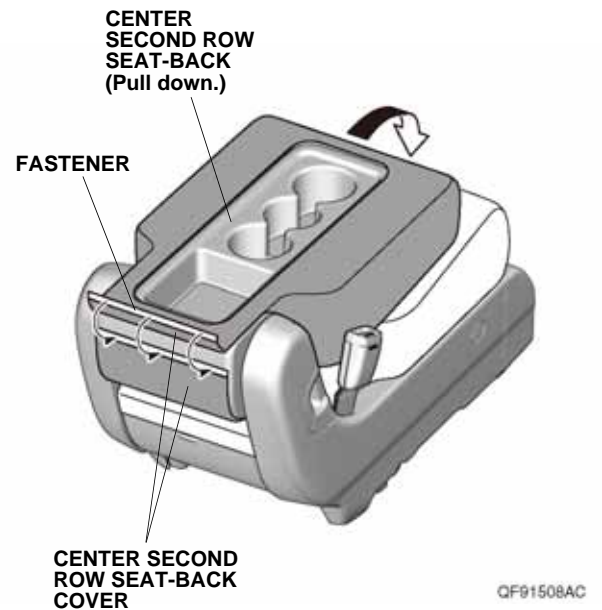
17. Secure the center second row seat cushion cover to the center second row seat cushion with one fastener.  
NOTE: Do not cover the anchor.



18. Fit the center second row seat-back cover to the center second row seat-back. Insert the center second row seat-back cover under each headrest guide.



19. Pull down the center second row seat-back. Secure the center second row seat-back cover with one fastener.



20. Raise the center second row seat-back.  
21. Install the headrest.