

www.collegehillshonda.com



Hands-Free Access Power Tailgate
User's Information Manual

ODYSSEY

Introduction

Thank you for purchasing this Honda accessory.

Please read this manual carefully before using the hands-free access power tailgate and keep this manual in the glove box for future reference.

This product is designed to be used exclusively on a Honda Odyssey. Honda is not responsible if the product is used for anything other than its intended purpose.


This manual should be considered a permanent part of the vehicle. It should remain with the vehicle at all times and stay with the vehicle when sold.

Your safety, and the safety of others, is very important. Operating your vehicle's hands-free access power tailgate safely is an important responsibility.

To help you make informed decisions about safety, we have provided operating procedures and other information on labels in the vehicle owner's manual, and in this manual. This information alerts you to potential hazards that could hurt you or others.

Of course, it is not practical or possible to warn you about all the hazards associated with operating or maintaining your vehicle. You must use your own good judgment.

You will find this important safety information in a variety of forms. It includes these items:

- **Safety Labels** - on the vehicle.
- **Safety Messages** - preceded by safety alert symbol  and one of three signal words: **DANGER**, **WARNING**, or **CAUTION**.

These signal words mean:

 **DANGER**

You **WILL** be **KILLED** or **SERIOUSLY HURT** if you don't follow instructions.

 **WARNING**

You **CAN** be **KILLED** or **SERIOUSLY HURT** if you don't follow instructions.

 **CAUTION**

You **CAN** be **HURT** if you don't follow instructions.

As you read this manual, you will find information that is preceded by a **NOTICE** symbol. This information is intended to help you avoid damage to your vehicle, other property, or the environment.

- **Instructions** - how to use this vehicle correctly and safely.

This manual contains important safety information - please read it carefully.

Special Messages

NOTICE

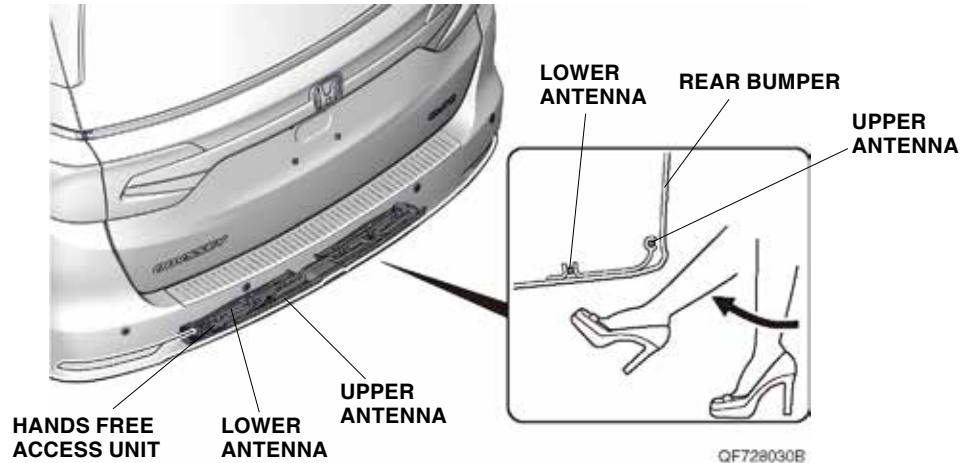
- This Manual contains specialized information about the accessory hands-free access power tailgate. If you want to know more about the hands-free access power tailgate, please refer to “Using the Hands Free Access” in the vehicle owner’s manual.

Hands Free Access

The hands free access power tailgate will only operate when the vehicle is in Park and the keyless access system detects the smart entry remote.

Open the Tailgate:

With your smart entry remote on you, you can open or close the tailgate hands free by raising and lowering your foot (in a kicking motion) under the rear bumper.



How the Hands Free Access Switch Works

NOTICE

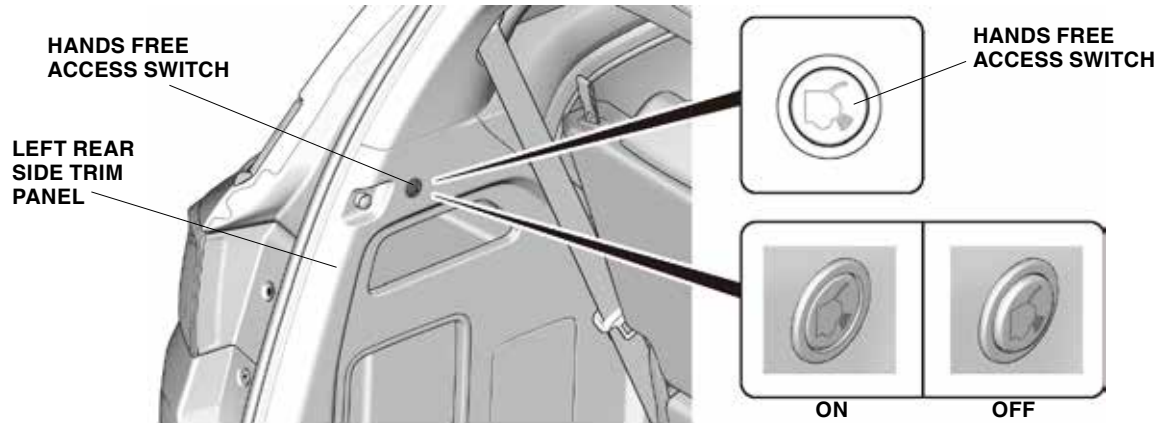
The hands free access switch should be set to OFF when you install or use the accessory trailer hitch.

The hands free access switch is located on the left rear side trim panel.

By pressing and releasing the hands free access switch, the hands free access function is toggled ON or OFF.

NOTICE

If there is no hands free access switch on the left rear side trim panel, please refer to the vehicle owner's manual.



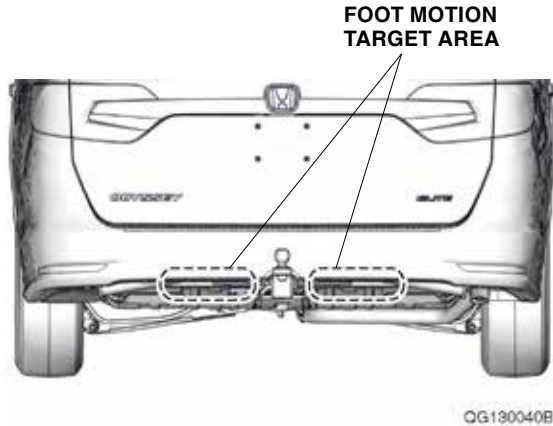
QF728010B

Information about the Foot Motion Target Area

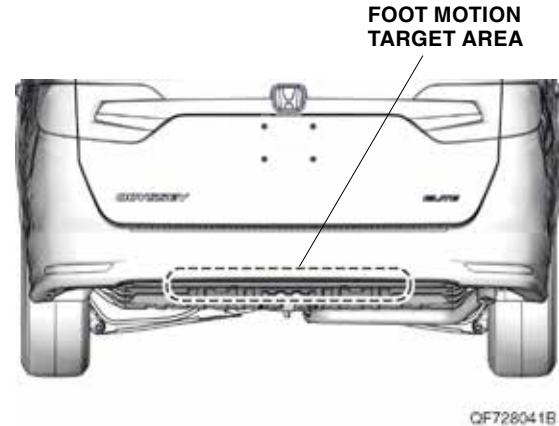
NOTICE

The foot motion target area will be changed if the vehicle is equipped with an accessory trailer hitch. See below.

With Accessory Trailer Hitch



Without Accessory Trailer Hitch

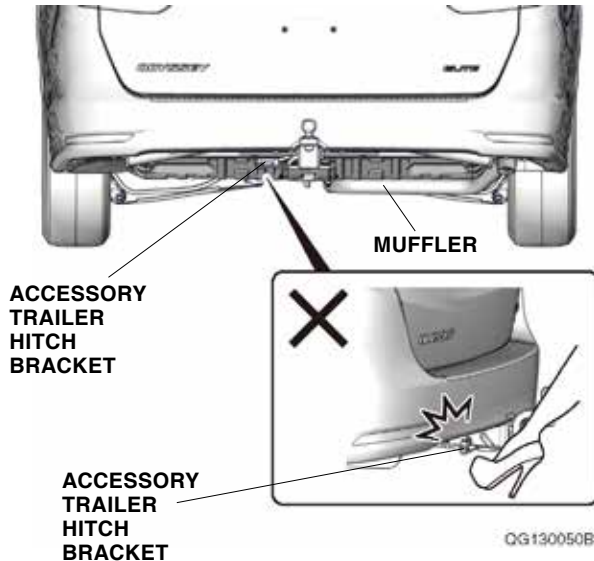


For Your Safety

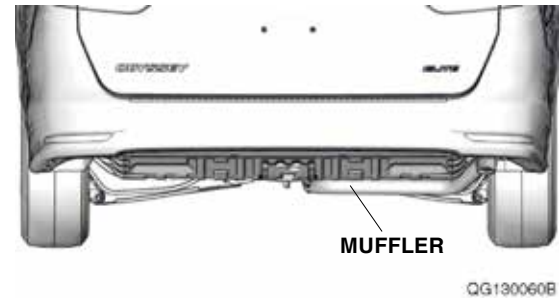
⚠ CAUTION

- Be careful not to kick the bracket of the accessory trailer hitch or the muffler when using the hands-free access power tailgate. It may cause a burn or a personal injury.

With Accessory Trailer Hitch



Without Accessory Trailer Hitch



www.collegehillshonda.com

Note

www.collegehillshonda.com

HONDA
The Power of Dreams