



## INSTALLATION INSTRUCTIONS

Accessory  
**AUTOMATIC DAY/NIGHT  
MIRROR**

Application  
**2018 ODYSSEY**

Publications No.  
**VERSION 2**  
Issue Date  
**JUNE 2017**

### PARTS LIST

**Attachment Kit**  
**P/N 91902-TZ3-A01**

Aluminum tape

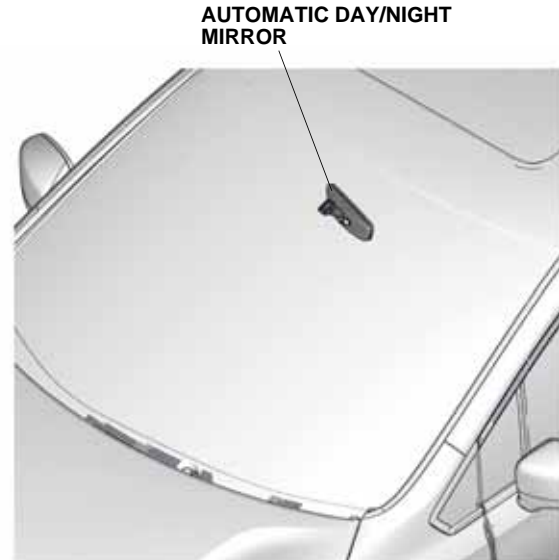


**Automatic Day/Night Mirror Kit**  
**P/N 76400-THR-A01**

Automatic Day/Night mirror



### Illustration of the Automatic Day/Night Mirror on the Vehicle



QF52401AA

### TOOLS AND SUPPLIES REQUIRED

Phillips screwdriver  
10 mm Open end wrench  
T-20 TORX bit  
Ratchet  
Small flat-tip screwdriver  
Isopropyl alcohol  
Shop towel  
Scissors  
Masking tape  
Ruler

*The following tools are available through the Honda Tool and Equipment Program. On the iN, click on Service > Service Bay > Tool and Equipment Program, then enter the number under "Search." Or, call 888-424-6857.*

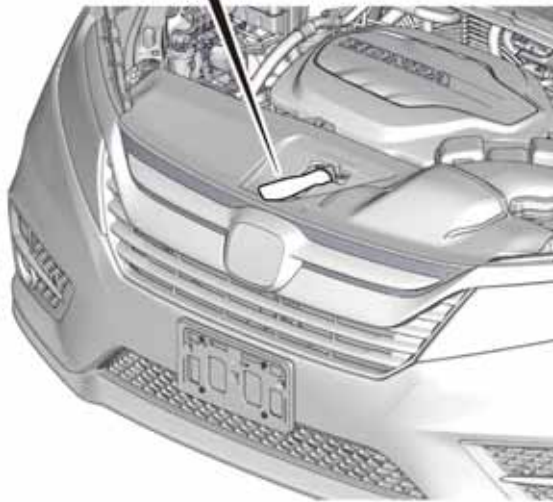
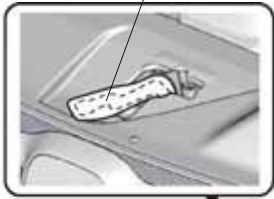
- Trim Tool Set (T/N SOJATP2014)
- Plastic Trim Tool (T/N SILTRIMTL10)

## INSTALLATION

**Customer Information:** The information in this installation instruction is intended for use only by skilled technicians who have the proper tools, equipment, and training to correctly and safely add equipment to your vehicle. These procedures should not be attempted by “do-it-yourselfers.”

1. Disconnect the negative cable from the battery:
  - Wrap a shop towel around the hood latch.

**HOOD LATCH**  
(Wrap with a shop towel.)

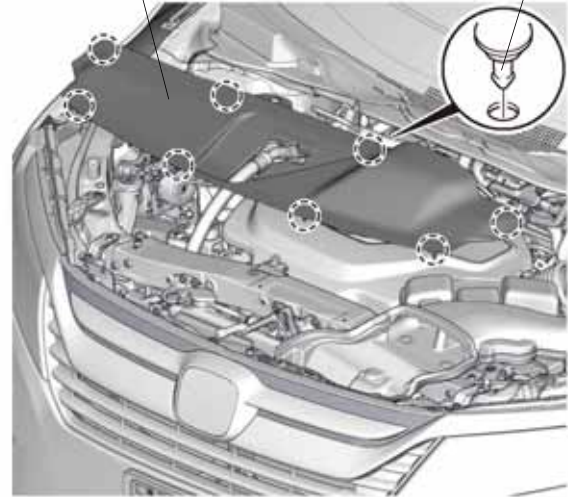


QF52702AG

- Remove the front bulkhead cover.

**FRONT BULKHEAD COVER**

**8 CLIPS**

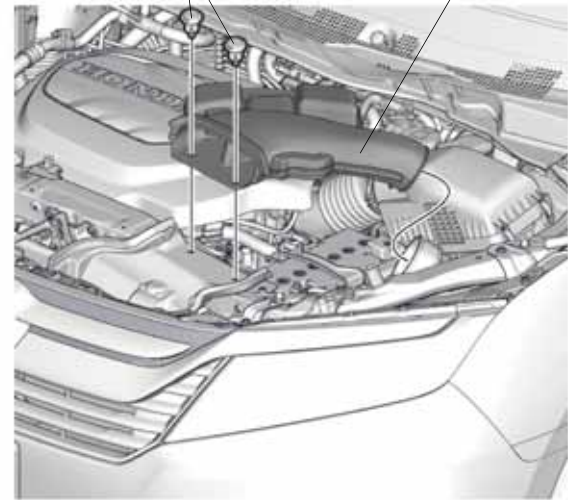


QF52703AG

- Remove the intake air tube.
- Disconnect the negative cable from the battery.

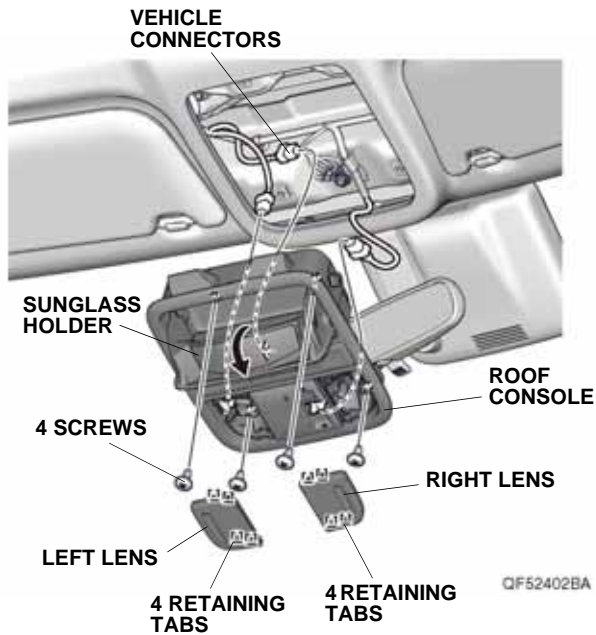
**2 CLIPS**

**INTAKE AIR TUBE**

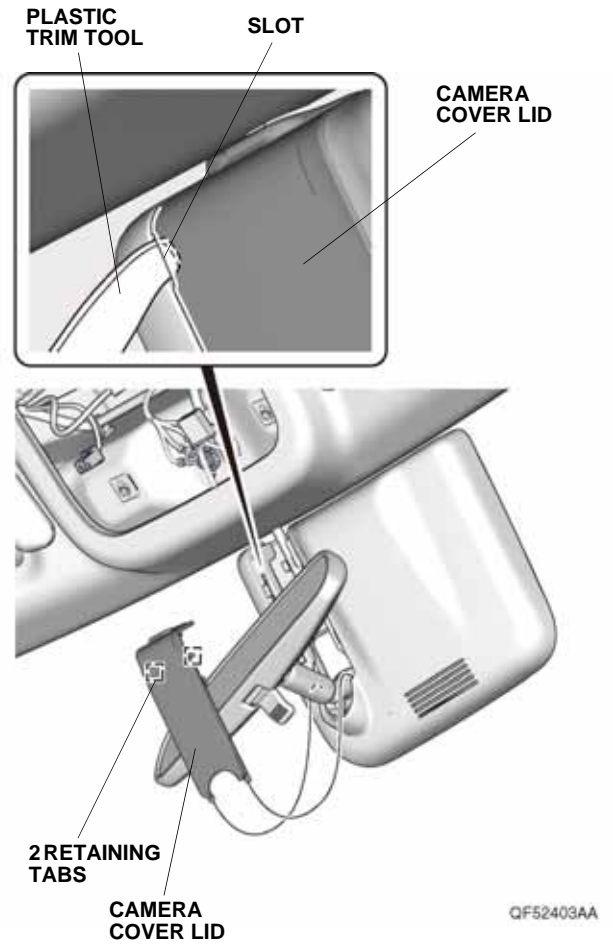


QF52704AG

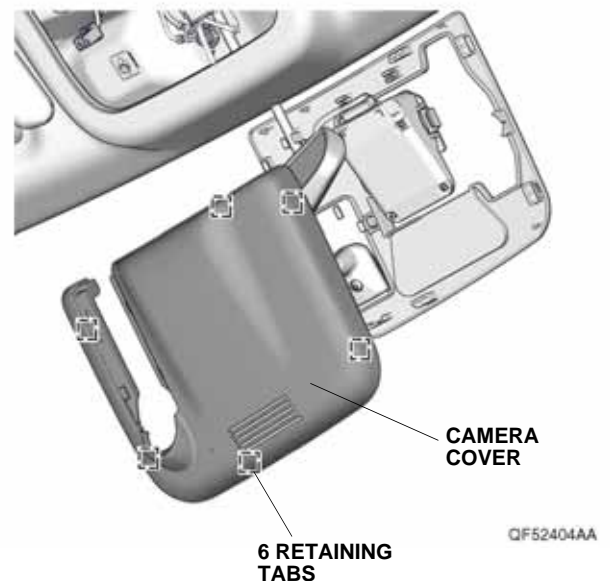
2. Remove the roof console:
- Using a small flat-tip screwdriver wrapped with a shop towel, pry out and remove the left and right lenses.
  - Open the sunglass holder and remove the four screws.
  - Remove the roof console and unplug the vehicle connectors.



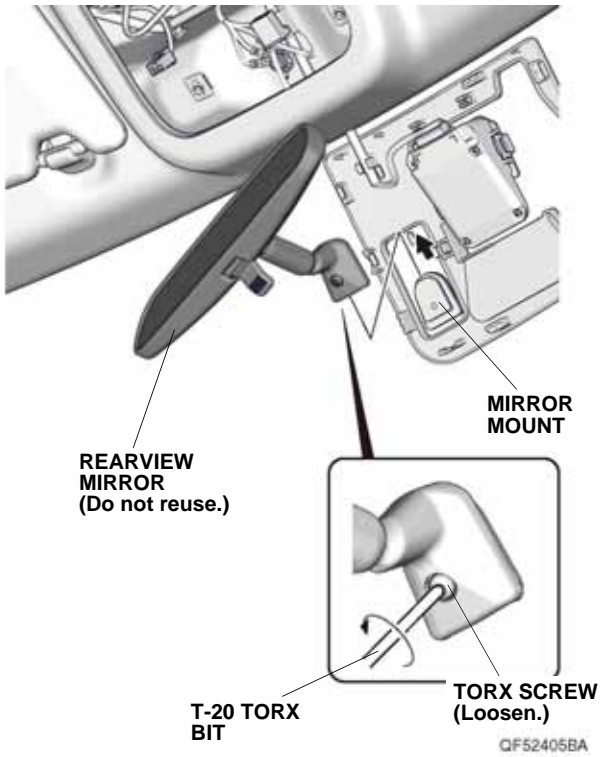
3. Using a plastic trim tool, remove the camera cover lid.



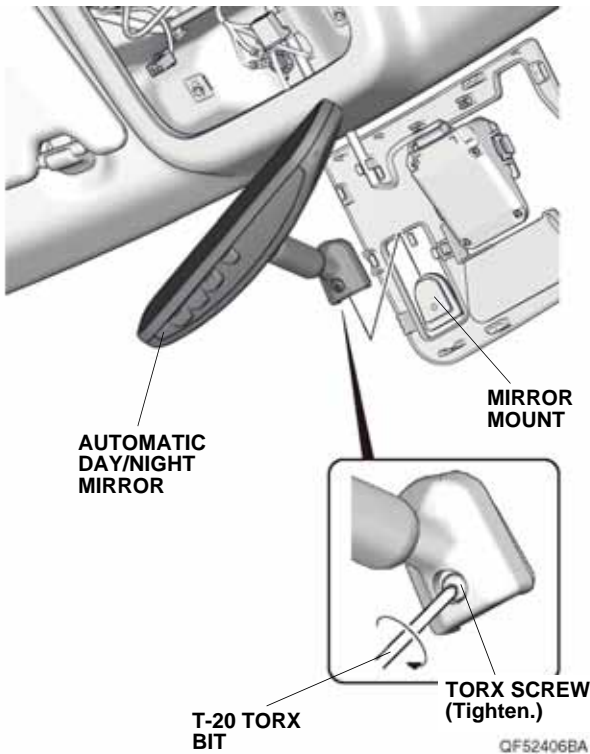
4. Remove the camera cover.



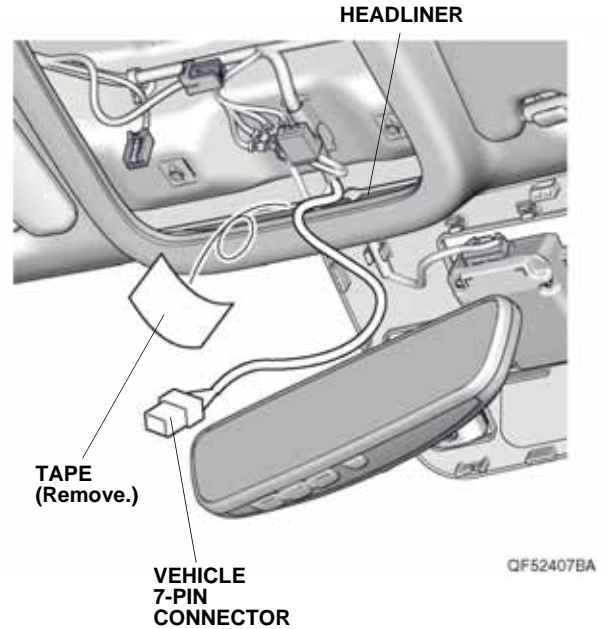
5. Loosen the TORX screw, and remove the rearview mirror.



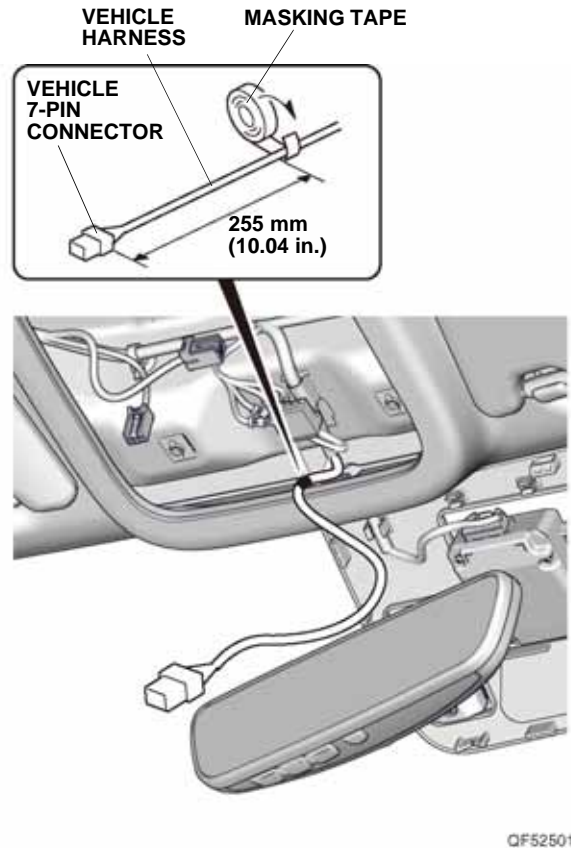
6. Install the automatic day/night mirror on the mirror mount as shown, and tighten the TORX screw.



7. Remove the tape to free the vehicle 7-pin connector.

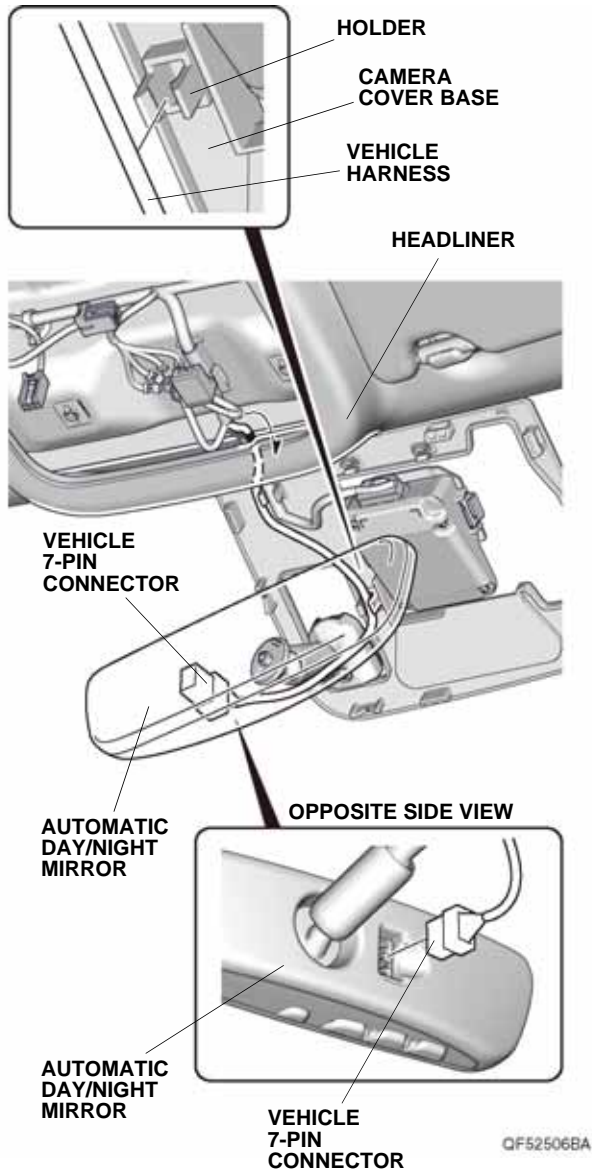


8. Attach masking tape to the vehicle harness at the measurement shown.

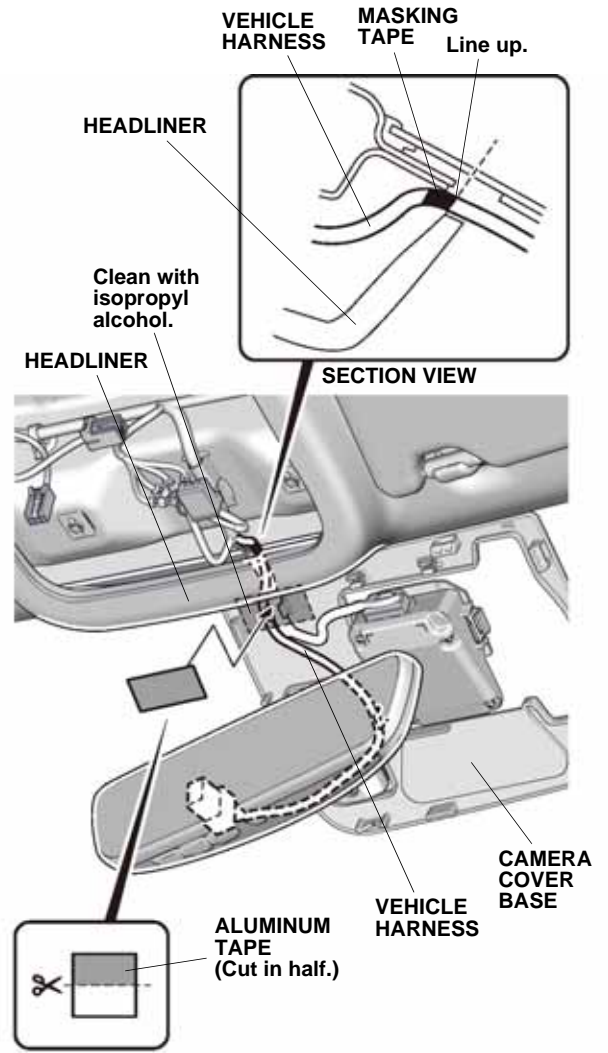




9. Route the vehicle harness as shown. Be careful not to crease the headliner. Secure the vehicle harness to the holder on the camera cover base, and plug the vehicle 7-pin connector into the automatic day/night mirror.

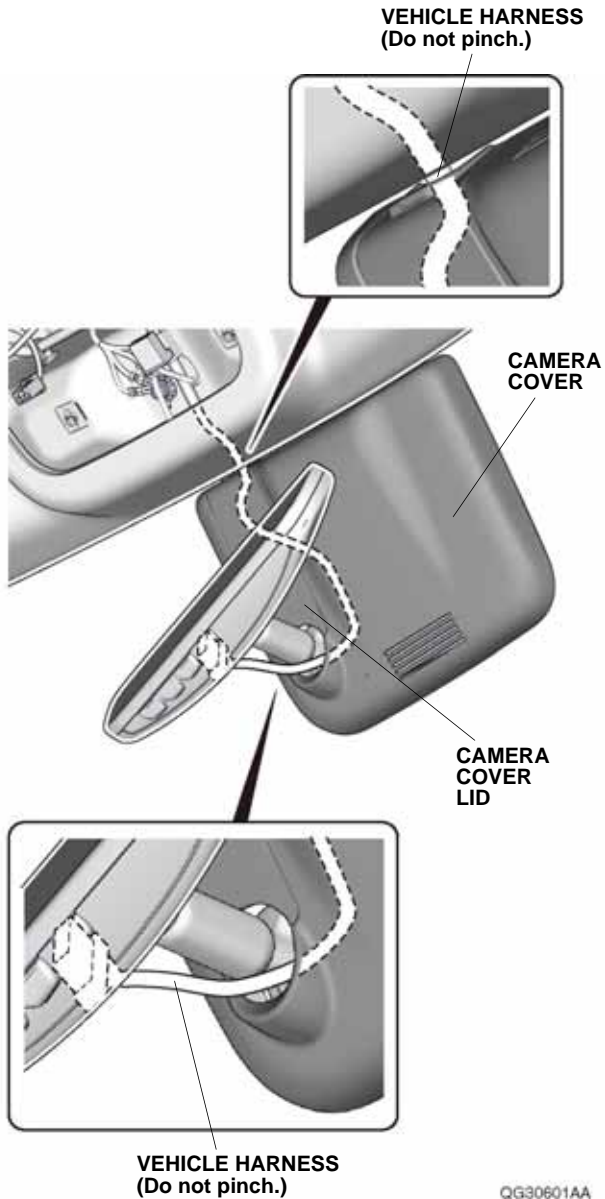


10. Using isopropyl alcohol on a shop towel, thoroughly clean the camera cover base where the aluminum tape will attach.



11. Using scissors, cut one aluminum tape in half. Line up the masking tape on the vehicle harness with the edge of the headliner, and secure the vehicle harness to the camera cover base with one half of aluminum tape.

12. Install the camera cover and camera cover lid.  
NOTE: Make sure that the vehicle harness are not pinched.



QG30601AA

13. Check that all wire harnesses are routed properly and all connectors are plugged in.
14. Install all removed parts except for the front bulkhead cover and the intake air tube.
15. Connect the negative cable to the battery.
16. Install the front bulkhead cover and the intake air tube.
17. Press and hold the audio unit power button for 2 seconds to restore the audio and navi (if equipped) system functions.
18. Set the clock on vehicles without navigation.
19. If necessary, restore the systems back to normal operation as described in the service information.

### Check the Operation of the Automatic Day/Night Mirror

20. Check that the automatic day/night mirror work properly as described in the owner's manual of the vehicle.