

[www.collegehillshonda.com](http://www.collegehillshonda.com)



## Cargo Bins User's Information Manual

# ODYSSEY

## Introduction

---

**Thank you for purchasing this Honda accessory.**

**Please read this manual carefully before using the cargo bins, and keep it in the glove box for future reference.**

This product is designed to be used exclusively on a Honda Odyssey. Honda is not responsible if the product is used for anything other than its intended purpose.


This manual should be considered a permanent part of the vehicle. It should remain with the vehicle at all times and stay with the vehicle when sold.

Your safety, and the safety of others, is very important. Operating your vehicle's cargo bins safely is an important responsibility.

To help you make informed decisions about safety, we have provided operating procedures and other information on labels in the vehicle owner's manual, and in this manual. This information alerts you to potential hazards that could hurt you or others.

Of course, it is not practical or possible to warn you about all the hazards associated with operating or maintaining your vehicle. You must use your own good judgment.

You will find this important safety information in a variety of forms. It includes these items:

- **Safety Labels** - on the vehicle.
- **Safety Messages** - preceded by safety alert symbol  and one of three signal words: **DANGER, WARNING, or CAUTION.**

These signal words mean:

 **DANGER**

You **WILL** be **KILLED** or **SERIOUSLY HURT** if you don't follow instructions.

 **WARNING**

You **CAN** be **KILLED** or **SERIOUSLY HURT** if you don't follow instructions.

 **CAUTION**

You **CAN** be **HURT** if you don't follow instructions.

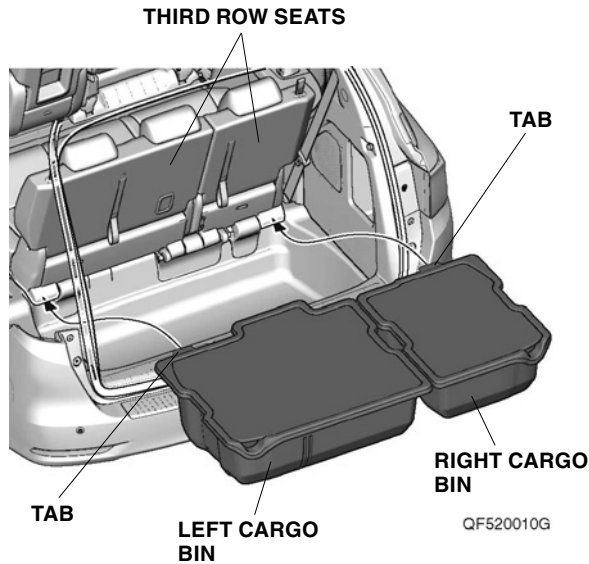
As you read this manual, you will find information that is preceded by a **NOTICE** symbol. This information is intended to help you avoid damage to your vehicle, other property, or the environment.

- **Instructions** - how to use this vehicle correctly and safely.

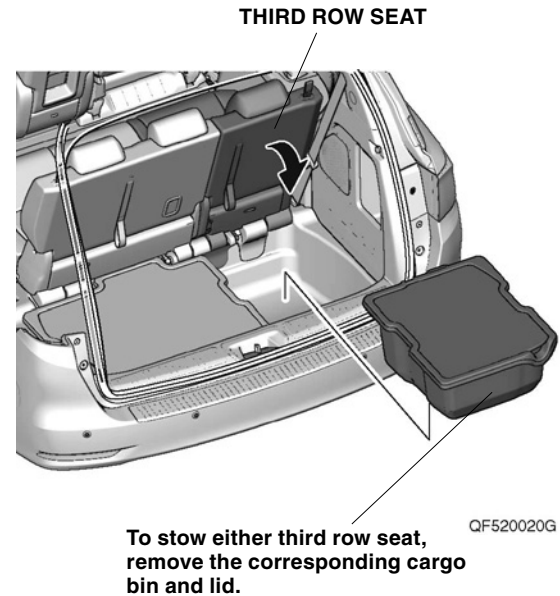
This manual contains important safety information - please read it carefully.

## Installation

- With both third row seats up, install the left and right cargo bins.

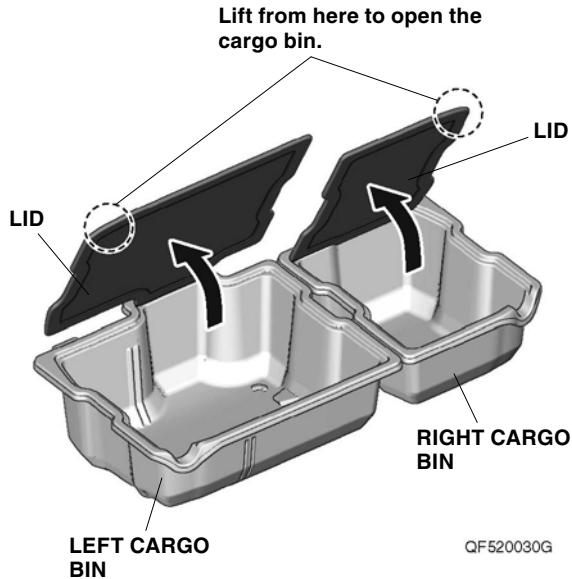


- To stow either third row seat, remove the corresponding cargo bin and lid from the vehicle and lower the third row seat gently.



## How to Use the Cargo Bins

- To open the cargo bins, grab the corner of the lid and lift up.



### ⚠ CAUTION

- Do not stand or kneel on the cargo bins or their lids.

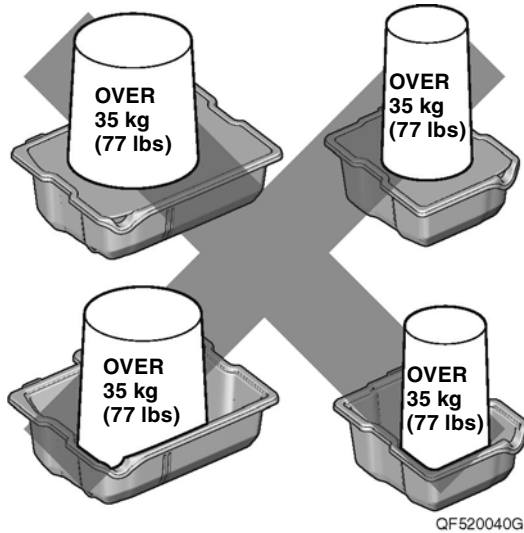
### NOTICE

- Do not drop the cargo bins with a lot of force.
- Do not throw items forcefully into the cargo bins or onto the lids.

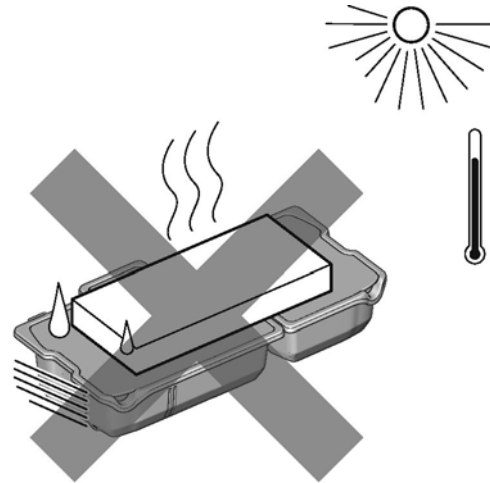
## How to Use the Cargo Bins

### NOTICE

- The maximum load is 35 kg (77 lbs). Do not exceed the maximum load in the cargo bins or on the lids.



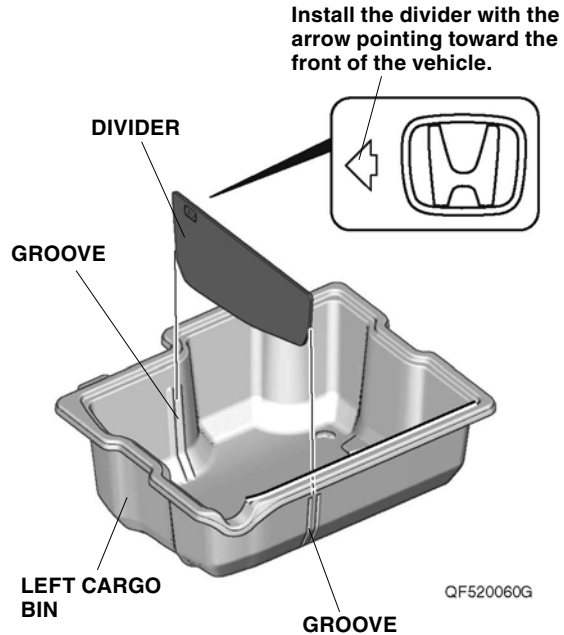
- Maximum load is reduced in high temperatures.



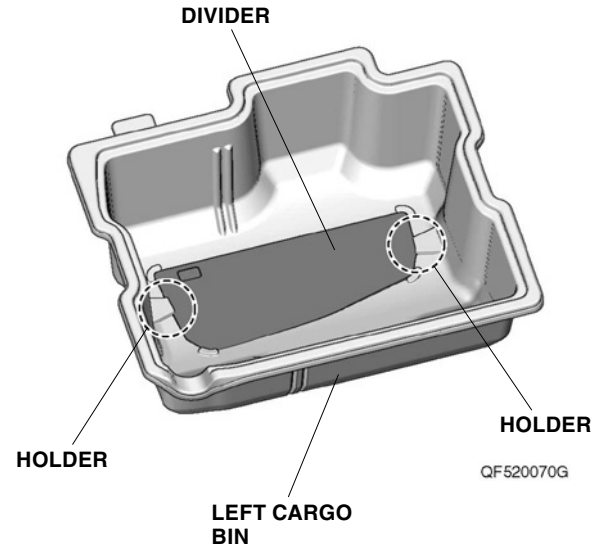
QF520050G

## How to Use the Cargo Bins

- To use the divider, place the divider into the grooves on the left bin. Be sure that the arrow on the sticker is pointing toward the front of the vehicle.



- To store the divider, snap it into the holders in the bottom of the left cargo bin.



[www.collegehillshonda.com](http://www.collegehillshonda.com)

**HONDA**  
The Power of Dreams