



## INSTALLATION INSTRUCTIONS

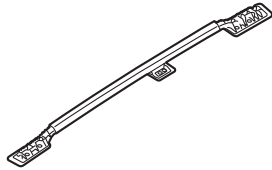
Accessory  
**ROOF RAILS**  
 P/N 08L02-TK8-100

Application  
**2016 ODYSSEY**

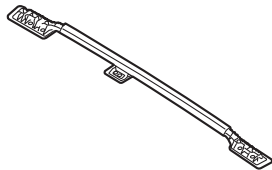
Publications No.  
**VERSION 1**  
 Issue Date  
**JULY 2015**

### PARTS LIST

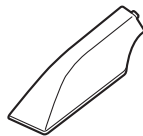
Left side roof rail



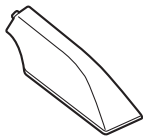
Right side roof rail



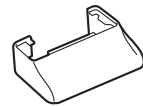
Left front roof rail cover



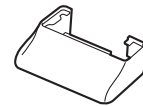
Right front roof rail cover



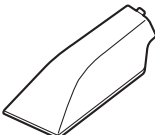
Left center roof rail cover



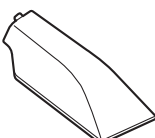
Right center roof rail cover



Left rear roof rail cover



Right rear roof rail cover



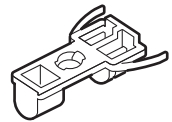
12 Torx nuts



4 Torx screws



2 Roof molding clips



### TOOLS AND SUPPLIES REQUIRED

Tape measure

Needle nose pliers

T-15 and T-30 Torx drivers

Eye protection (face shield, safety goggles, etc.)

File

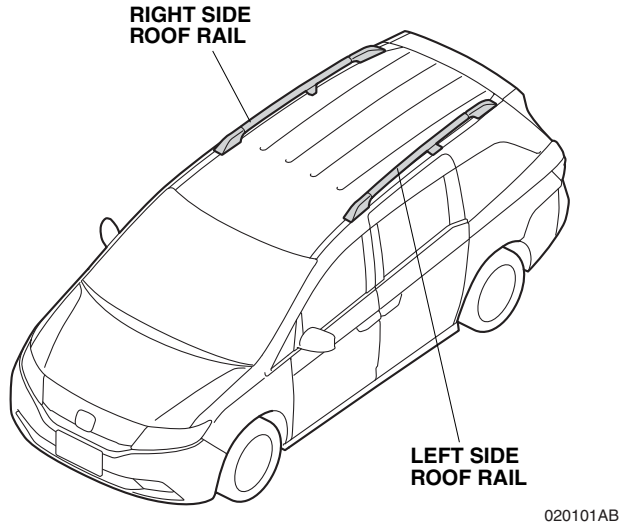
Felt-tip pen

Masking tape

*The following tools are available through the Honda Tool and Equipment Program. On the iN, click on: Service > Service Bay > Tool and Equipment Program, then enter the number under "Search". Or, call 888-424-6857.*

- Trim Tool Set (T/N SOJATP2014)
- Air Saw (T/N AT192A)

## Illustration of the Roof Rails Installed on the Vehicle



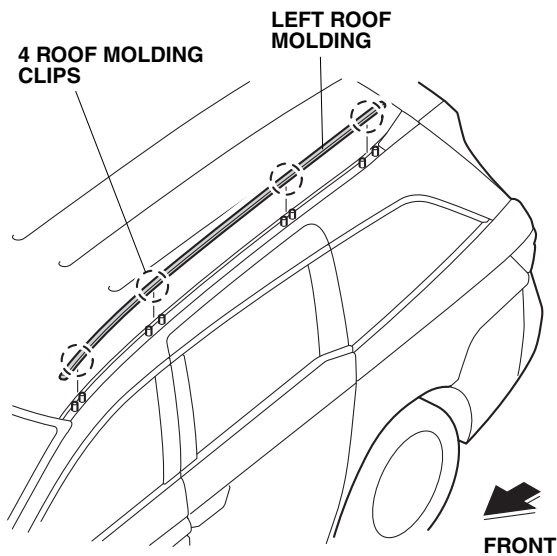
## INSTALLATION

**Customer Information:** The information in this installation instruction is intended for use only by skilled technicians who have the proper tools, equipment, and training to correctly and safely add equipment to your vehicle. These procedures should not be attempted by "do-it-yourselfers."

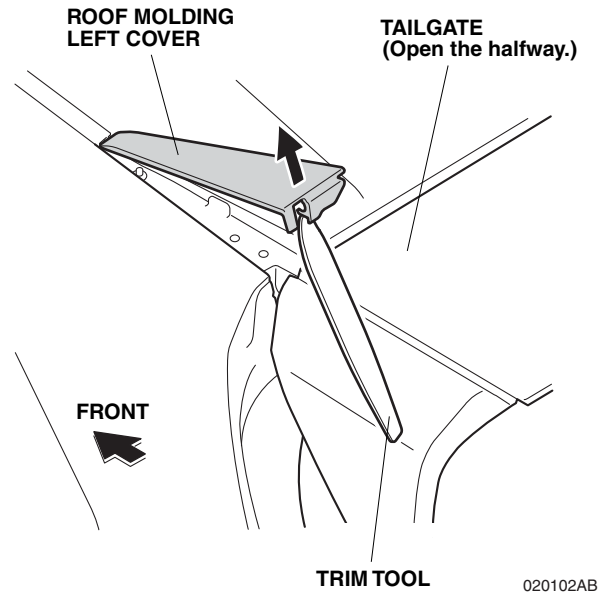
**NOTE:** Be extremely careful not to damage the roof and other finished surfaces of the body when installing the roof rails.

### Installing the Roof Rails

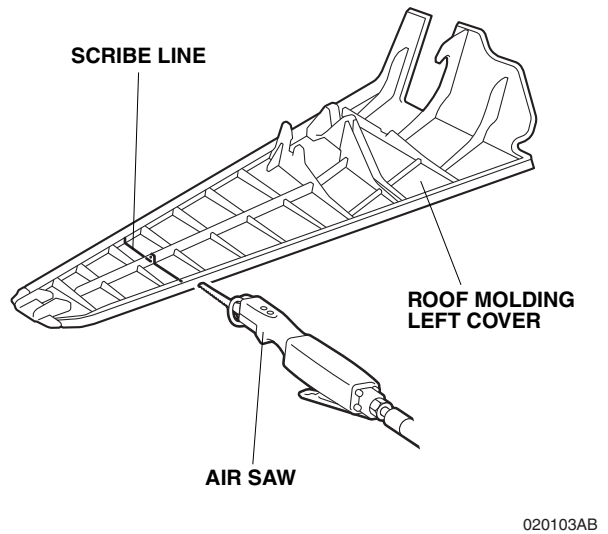
1. Remove the left roof molding by carefully lifting it upward from four roof molding clips.



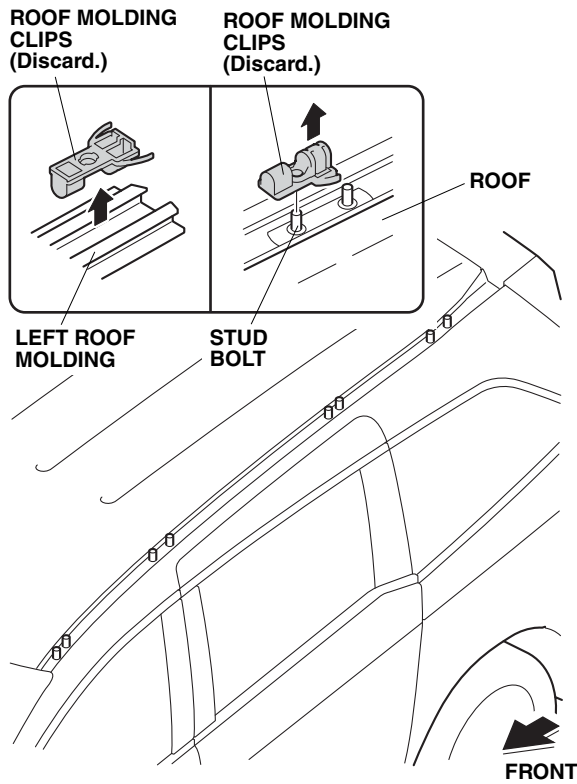
2. Open the tailgate halfway. Using a trim tool, pry up on the rear end of the roof molding left cover.



3. While wearing an eye protection, use an air saw to cut off the roof molding left cover at the scribe line as shown. Remove any burrs.

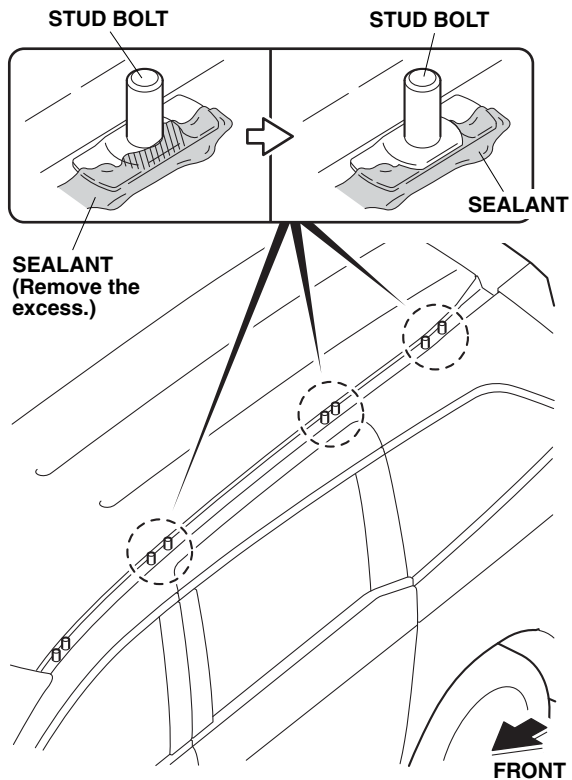


4. Remove and discard four roof molding clips from the roof molding or the stud bolt on the roof.



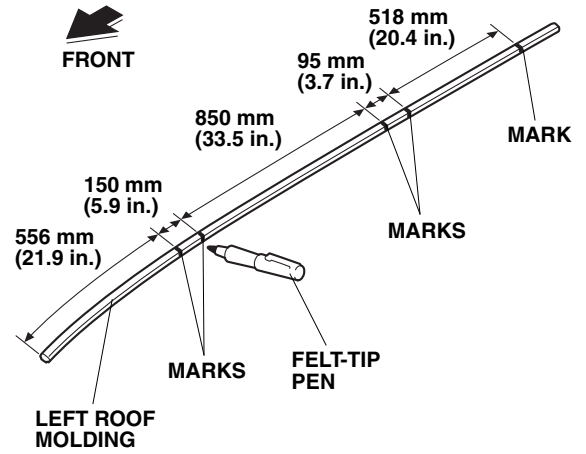
020105AB

5. Remove any excess sealant from the stud bolts.



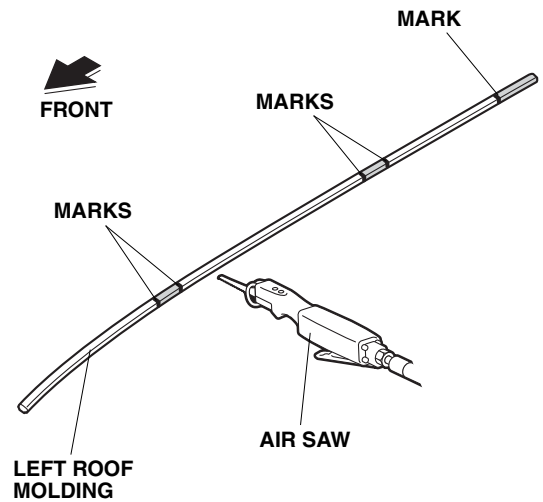
QC30702AB

6. Measure and use a felt-tip pen to mark the left roof molding as shown.



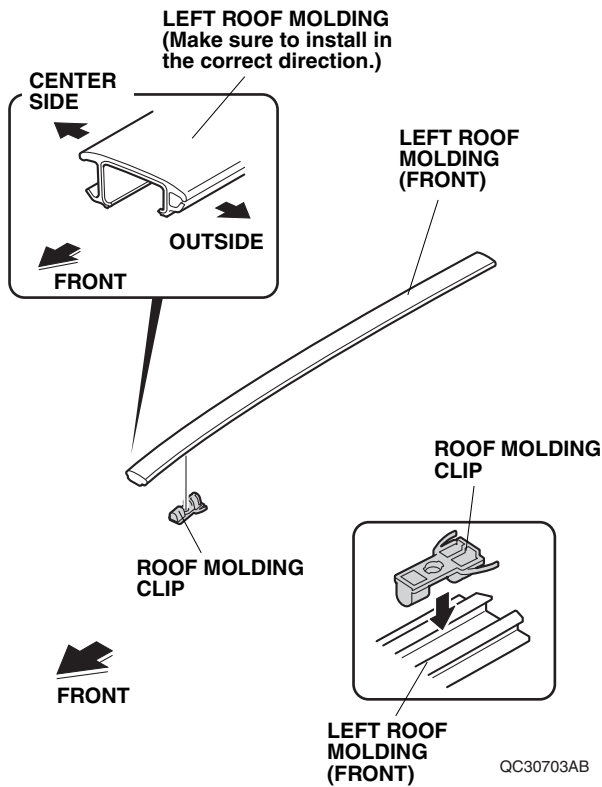
042701BB

7. While wearing an eye protection, use an air saw to cut off the left roof molding at the mark made in step 6.

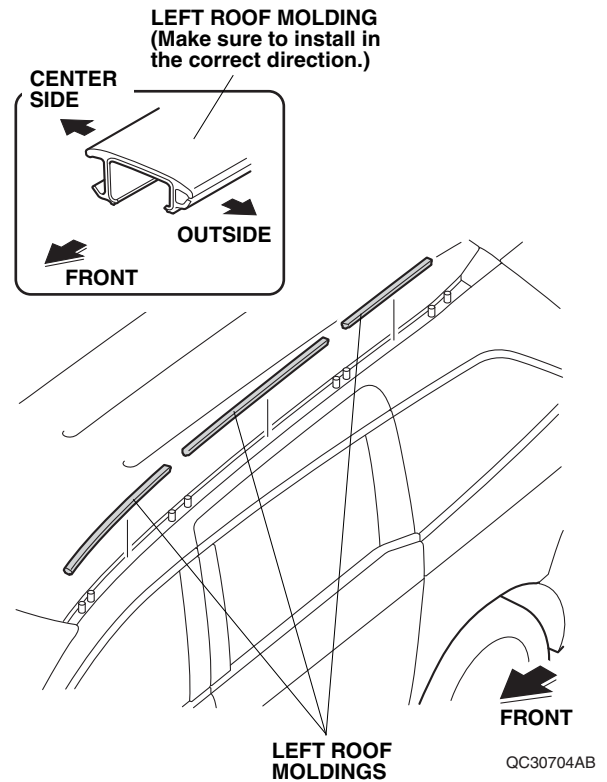


020107BB

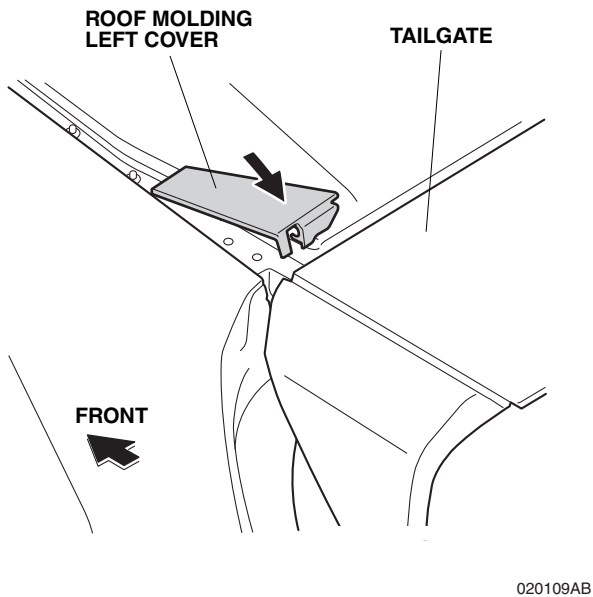
8. Install one roof molding clip to the left roof molding (front).



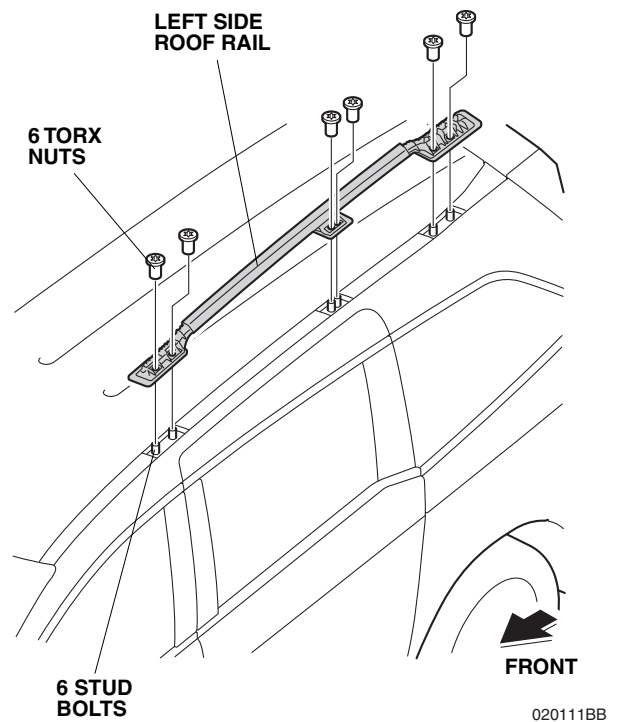
10. Reinstall the left roof moldings back onto the roof of the vehicle as shown.



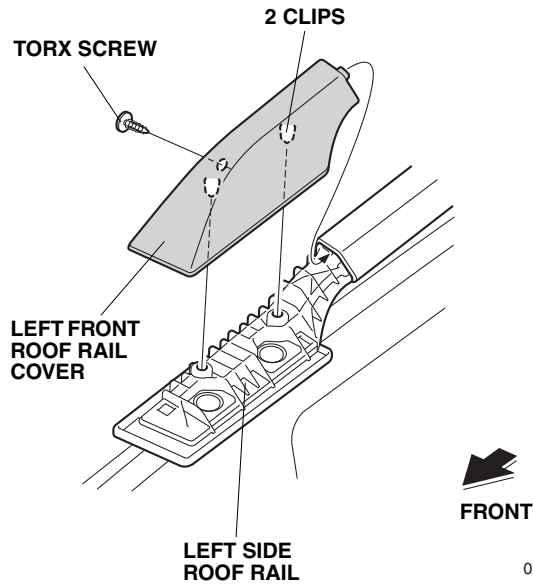
9. Reinstall the roof molding left cover.  
NOTE: If the roof molding cover is not even with the roof, it is installed incorrectly. Reinstall the roof molding cover properly.



11. Install the left side roof rail with six Torx nuts. Make sure the roof rail is installed in the correct position. Torque the Torx nuts to: 10 N·m (1.0 kgf·m, 7.3 lbf·ft)

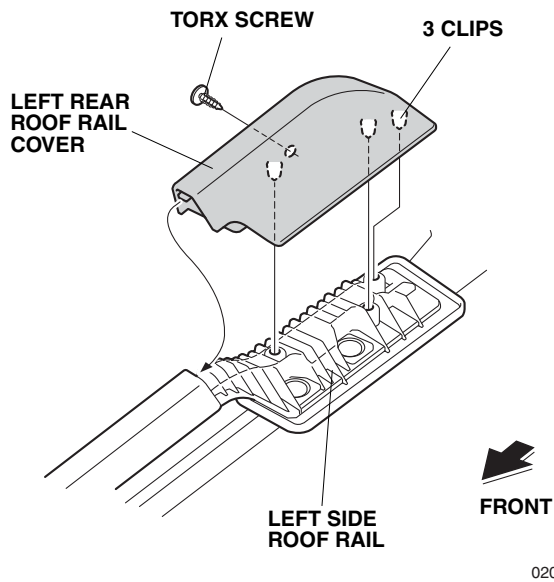


12. Install the left front roof rail cover to the left side roof rail with two clips.



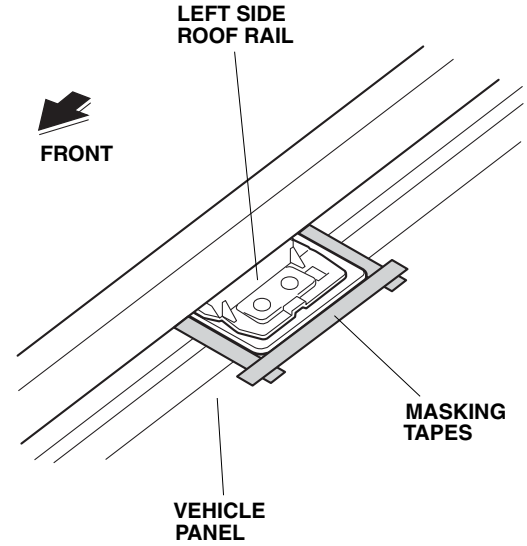
13. Secure the left front roof rail cover to the left side roof rail with one Torx screw.

14. Install the left rear roof rail cover to the left side roof rail with three clips.

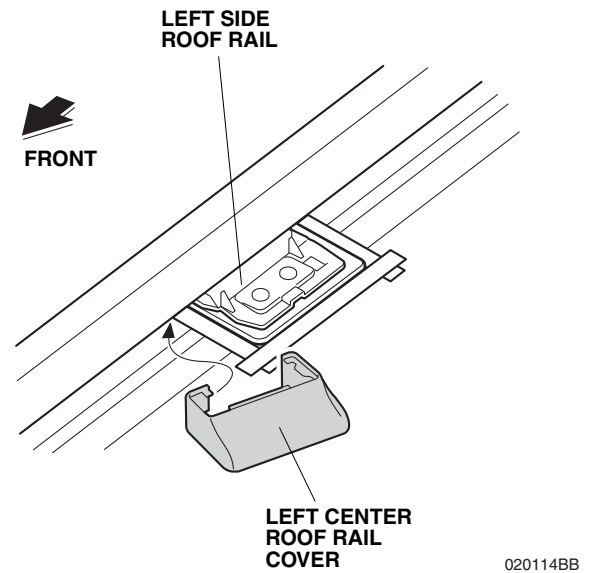


15. Secure the left rear roof rail cover to the left side roof rail with one Torx screw.

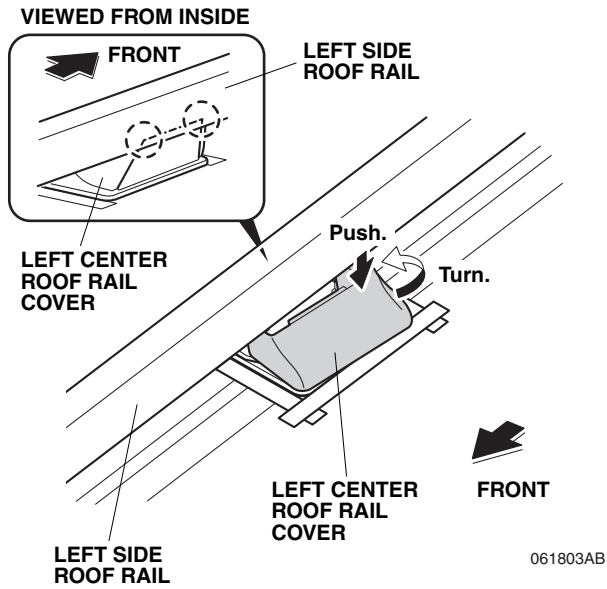
16. Attach the masking tapes to the vehicle panel.



17. Hook the left center roof rail cover to the left side roof rail as shown.



18. Install the left center roof rail cover to the left side roof rail as shown. Make sure that the left center roof rail cover is in contact with the left side roof rail.



19. Remove the masking tapes attached in step 16.
20. Repeat steps 1 through 19 for the right side of the vehicle.

## USE AND CARE

Check the roof rail mounting bolts frequently, and re-tighten if necessary.